

1

2

3

4

5


TECHNICAL CHARACTERISTICS

MATERIAL
 INSULATOR: PA66
 FLAMABILITY RATING: UL94-V0
 COLOR: BLUE
 METAL HOUSING: BRASS (CuZn)
 TERMINAL SCREW: STEEL ZINC PLATING "-" SLOT TYPE
 WIRE GUARD: PhBz

ENVIRONMENTAL
 OPERATING TEMPERATURE: -40 UP TO 105°C
 COMPLIANCE: LEAD FREE AND ROHS

ELECTRICAL	cULus	VDE
CURRENT RATING:	15A	12A
WORKING VOLTAGE:	300VAC	300VAC
WITHSTANDING VOLTAGE:	1.6KV	2.5KV
CONTACT RESISTANCE:	20 mOhm MAX	

STANDARD

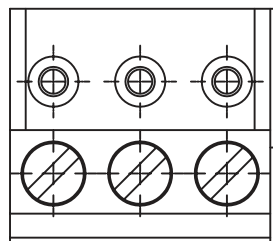
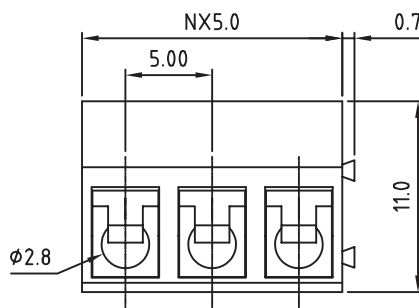
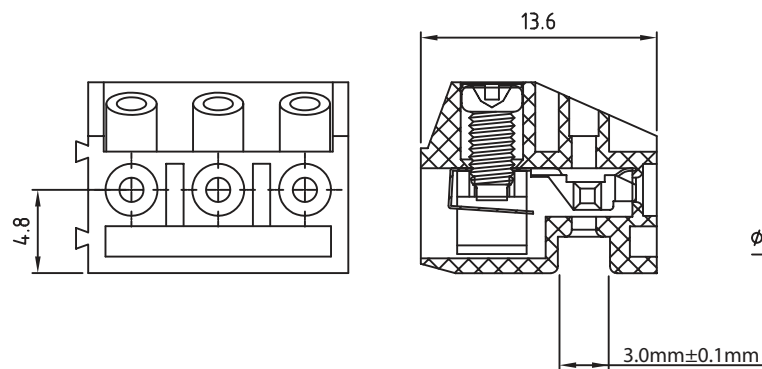
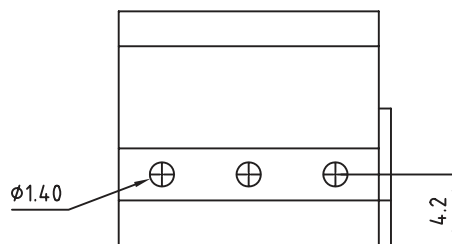
 CERTIFIED E315414
 CERTIFIED 40024437

MECHANICAL

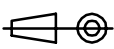

SOLID WIRE:	22-14 AWG / 0.326-2.08 MM ²
STRANDED WIRE:	22-14 AWG / 0.326-2.08 MM ²
TORQUE:	3.5 Lb.In / 0.4 Nm

WIRE STRIPE LENGTH: 5-6 MM
 SCREW: M2.6
 PITCH: 5.0 MM

PACKAGING
 BOX



RoHS Compliant

G				PROJECTION: 	GENERAL TOLERANCE .X = +/- 0.2 .XX = +/- 0.15	 WÜRTH ELEKTRONIK	
F							
E	18-JUL-14	DRAW. DIMENSION	AS				
D	12-OCT-09	STANDARD	JP				
C	29-OCT-08	CHARACTERISTICS	JP	APPROVAL: FBr	UNIT: MM	DESCRIPTION: SERIE 301 - 5.0MM MODULAR HORIZONTAL ENTRY MODULAR PLUG WITH PRESSURE CLAMP - WR-TBL	
B	20-AUG-08	DESCRIPTION	CH		SCALE:		
A	30-OCT-07	PDF	EC		SHEET: 1/2		WERI PART NO: 691 301 710 0xx
REV	DATE	FILE	BY		DRAW: MARVIN		
							SIZE A4

1

2

3

4

5

Cautions and Warnings:

This electronic component is designed and developed with the intention for use in general electronics equipments.

Before incorporating the components into any equipments in the field such as aerospace, aviation, nuclear control, submarine, transportation, (automotive control, train control, ship control), transportation signal, disaster prevention, medical, public information network etc. where higher safety and reliability are especially required or if there is possibility of direct damage or injury to human body, Würth Elektronik must be asked for a written approval.

In addition, even electronic component in general electronic equipments, when used in electrical circuits that require high safety, reliability functions or performance, the sufficient reliability evaluation-check for the safety must be performed before by the user before usage.

A

B

C

RoHS Compliant

G				PROJECTION: 	GENERAL TOLERANCE .X = +/- 0.2 .XX = +/- 0.15		
F							
E							
D							
C				APPROVAL: JC	UNIT: MM	DESCRIPTION: DISCLAIMER	SIZE A4
B					SCALE:		
A	10-SEP-14	PDF	QL		SHEET: 2/2	WERI PART NO: DISCLAIMER	
REV	DATE	FILE	BY		DRAW: QL		

D