


| SIGN | DATE | DESCRIPTION | APPROVER |
|------|------------|--|----------|
| △ | 11/01'05 | Electrical standard changed. | Marvin |
| △ | 04/20'06 | 2p to 6p with wedge is changed. | Marvin |
| △ | 06/06'06 | 2p to 6p with wedge is removed. | Marvin |
| △ | 8/13'06 | Added VDE standard | 梁仁松 |
| △ | 12/15'08 | Flange screw changed from "-" slot type to "+/-" slot type | Kind |
| △ | 12/15'08 | Operating Temp. changed from -30°C~+105°C to -40°C~+115°C | Kind |
| △ | 2010.07.09 | The solid and Stranded wire is changed from 16-26 to 16-28 | Chen Bo |

THIS IS CAD DRAWING, DO NOT REVISE MANUALLY!!!

Material

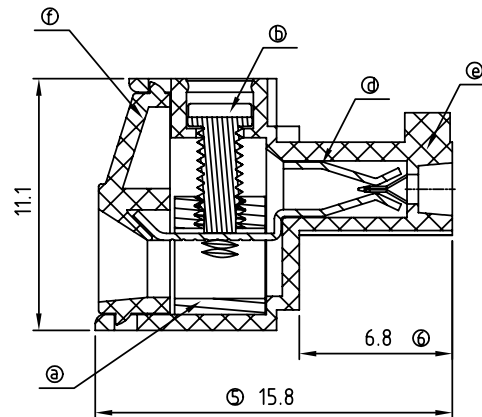
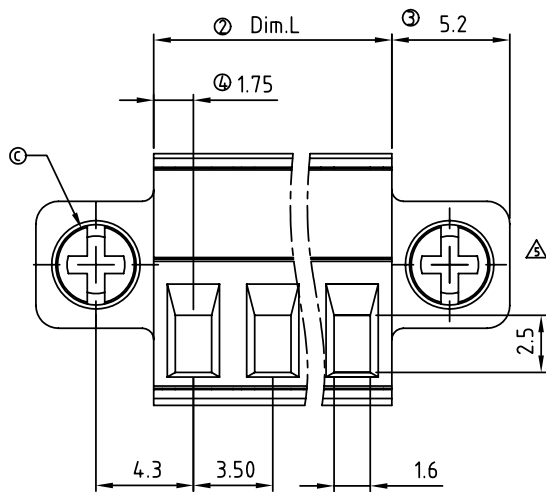
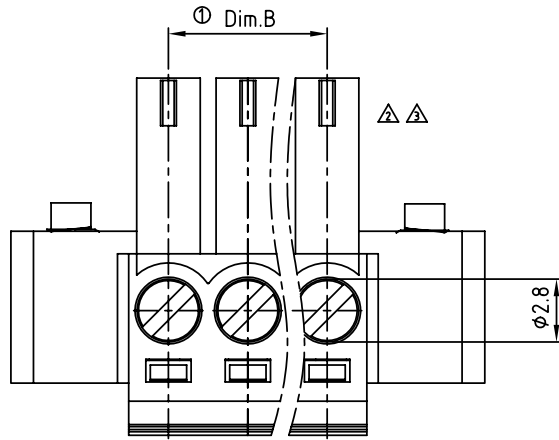
- Item a Clamp: Brass(CuZn) Ni plated
- Item b Terminal screw: Steel Zinc plating "-" slot type
- △ ● Item c With flange screw : steel M2.5 Zinc plating "+/-" slot type
- Item d Female contact: PhBz ,Tin plated
- Item e Terminal (housing): Thermoplastic (UL94V-0)
- Item f Terminal (cover): Thermoplastic (UL94V-0)

△△ Electrical cULus/VDE

- Voltage rating: 300VAC/300VAC
- Current rating: 10A/10.5A
- Wire range: 1.5mm²
- Solid wire(AWG): 16-28/16-28
- △ ● Stranded wire(AWG): 16-28/16-28
- Torque: 3.0Lb-In/0.2Nm
- Screw: M2
- Wire strip length: 6-7mm
- Withstanding Voltage: 1.6KV/2.5KV
- △ ● Operating temperature: -40°C to +115°C
- Safety Approval: 

TJ xx 11 x 2 xxxx G

| | | | |
|----------------|---------------------|--|----------------|
| 02 2 CONTACTS | 0 Black (RAL9005) | 0000 Standard @ Logo | Pb < 40,000ppm |
| 03 3 CONTACTS | 2 Red (RAL3001/D) | 000A Standard ANY Logo | (RoHS) |
| | 3 Orange(RAL2011/P) | 0091 Standard ANY Logo | |
| 24 24 CONTACTS | 4 Yellow(RAL1018/A) | Any special item by customer request, please contact sales department. | |
| | 5 Green(RAL6018/T) | | |
| | 6 Blue (RAL5015/A) | | |
| | 8 Grey(RAL7035/D) | | |



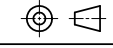
Dim.L = N x 3.5
 Dim.B = (N-1) x 3.5
 N= number of poles

| poles | 2P-6P | 7P-12P | 13P-18P | 19P-24P |
|-------|-------|--------|---------|---------|
| Dim.L | ±0.15 | ±0.20 | ±0.25 | ±0.30 |
| Dim.B | ±0.15 | ±0.20 | ±0.25 | ±0.30 |

ANYTEK

CUSTOMER COPY

ALL RIGHTS RESERVED. REPRODUCTION OR ISSUE TO THIRD PARTIES IN ANY FORM WHATSOEVER IS NOT PERMITTED WITHOUT WRITTEN AUTHORITY FROM THE PROPRIETOR. PROPERTY OF ANYTEK TECHNOLOGY CO., LTD

| | | | | |
|--------------|---------------|-----------------------------|-----------------------|---|
| TITLE | | TJ-3.5mm Series With flange | | |
| PART NO. | TJxx11x2xxxxG | DWG NO. | 8TJ0504 | |
| APPROVED | CHECKED | DESIGNED | DRAWN | CUST NO. |
| | | | Chen Bo 2010.07.09 |  |
| | | | | Tolerance |
| | | | | X. ±0.50 |
| | | | | X.X ±0.30 |
| | | | | X.XX ±0.10 |
| | | | | X° ±1° |
| SHEET: 01/01 | | | | UNIT: mm |
| | | | | SCALE: NONE |
| | | | | REV.: I |