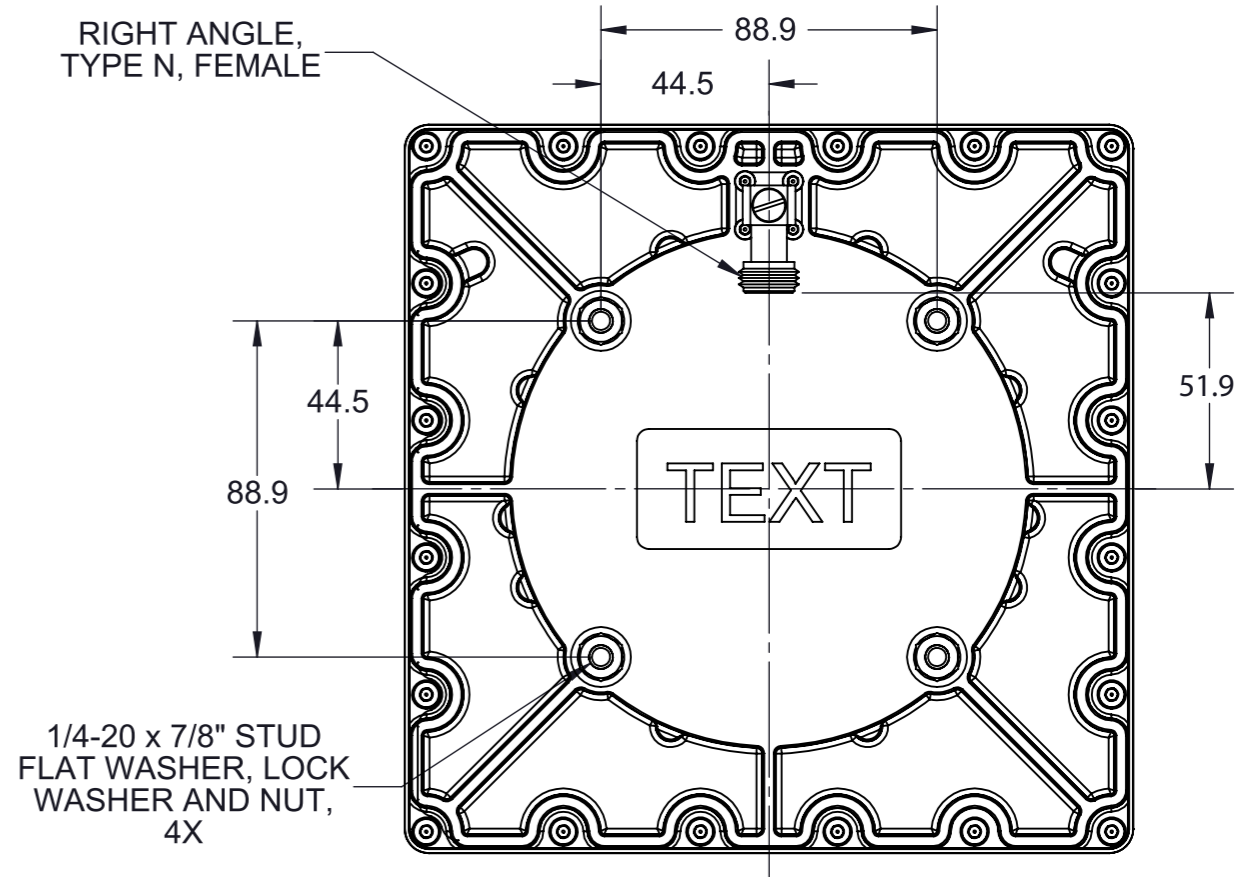
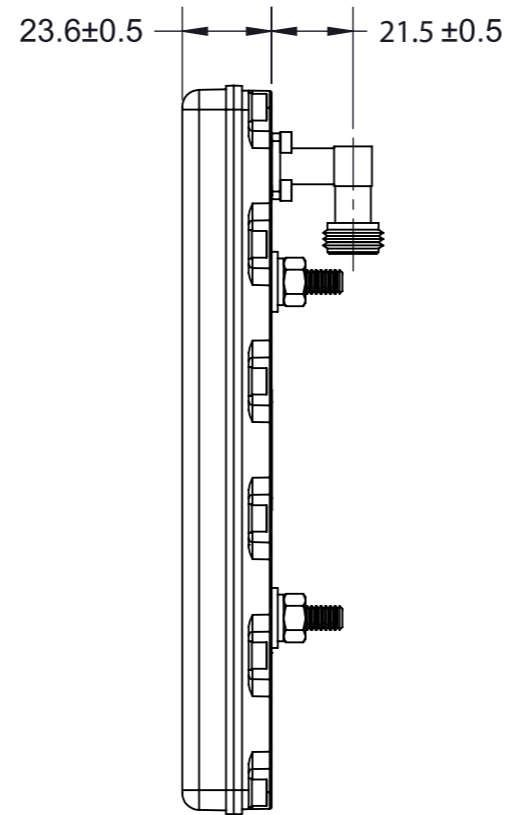
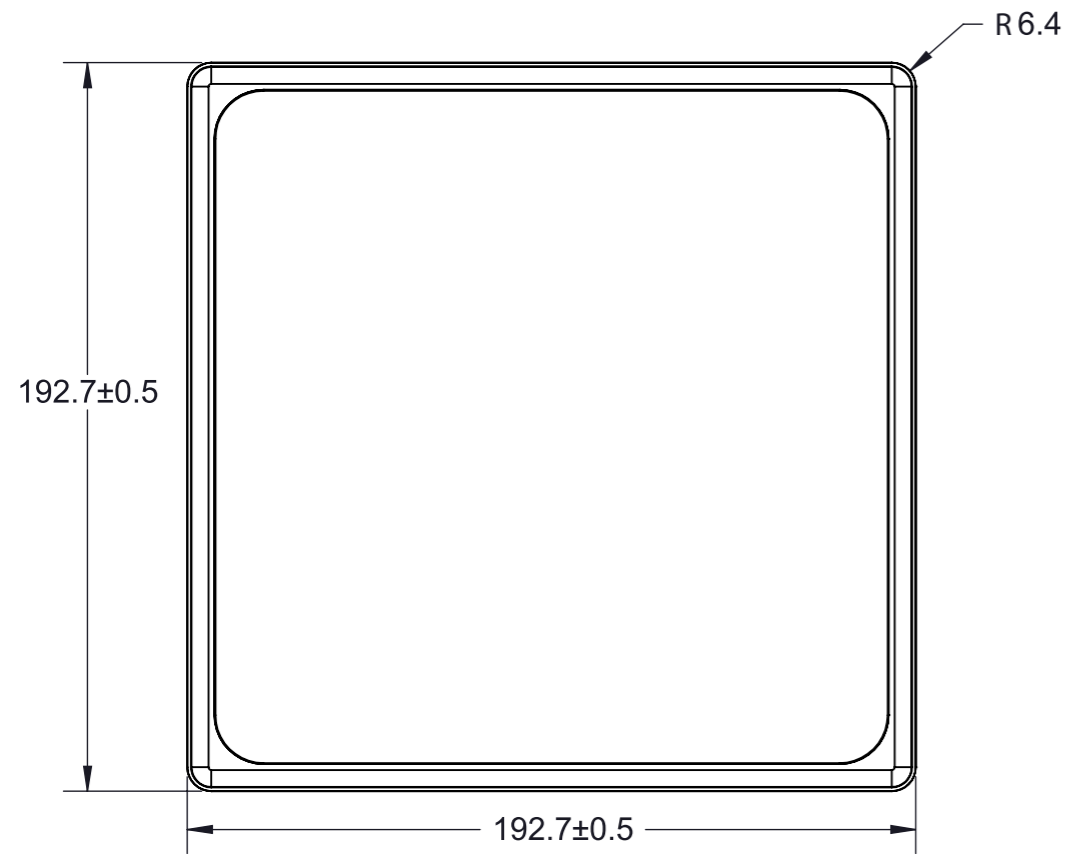


PARAMETER	SPECIFICATION
TE Part Number	S8656XRRN
Frequency Range	865-868MHz
Typical Gain	6dBic
Typical Axial Ratio	2dB
Input Impedance	50Ω
Maximum VSWR	1.5:1
Maximum Input Power	2W
Front-to-Back Ratio	12dB
3dB Beamwidth Azimuth	85°
Polarization	Circular,Right Hand
Antenna Weight	1kg
Antenna Connector	Right Ang. Type N, Female
Operating Temperature	-30°C to +70°C
Lightning Protection	DC Ground
Water/Foreign Body Ingress	IP67

REVISIONS					
REV.	ECR#	ZONE	DESCRIPTION	CHANGED BY/DATE	APPROVED BY/DATE
AA			INITIAL RELEASE	K.S. 04-27-10	K.S. 04-27-10
F01	CRN-IAS-02621		ADDED TO CHART WATER/FOREIGN BODY INGRESS, IP67. CHANGED REVAA TO F01 PER NEW STD IAS-ENG-001	MCL 14JUL14	T.P. 14JUL14



THIS DRAWING IS UNPUBLISHED. RELEASED FOR PUBLICATION - - .

© Copyright 2022 TE Connectivity Ltd. ALL RIGHTS RESERVED.

MATERIAL: N/A	THIRD ANGLE PROJECTION	
FINISH: N/A	DO NOT SCALE DRAWING	
APPROVALS	DATE	<p>S8656XRRN</p> <p>DWG. NO. S8656XRRNMO</p> <p>REV F01</p>
DRAWN BY: K. SEARL	05-26-09	
PROJ. ENG.: T. PETROPOULOS	04-27-10	
APPL. MECH.: S. JOHNSON	04-27-10	
MFG.: R. CHICOINE	04-27-10	<p>INTERPRET DIMENSIONING AND TOLERANCING IN ACCORDANCE WITH ASME Y14.5M-1994</p> <p>TOLERANCES UNLESS OTHERWISE SPECIFIED</p> <p>DIMENSIONS ARE IN MILLIMETERS</p> <p>ANGLE: ±30'</p> <p>0 PLACE DECIMAL: ±0.5</p> <p>1 PLACE DECIMAL: ±0.25</p> <p>2 PLACE DECIMAL: ±0.13</p> <p>SURFACE ROUGHNESS 1.6/√</p>
SIZE A3		SCALE: 1:2
PREVIOUS#		SHEET 1 OF 1