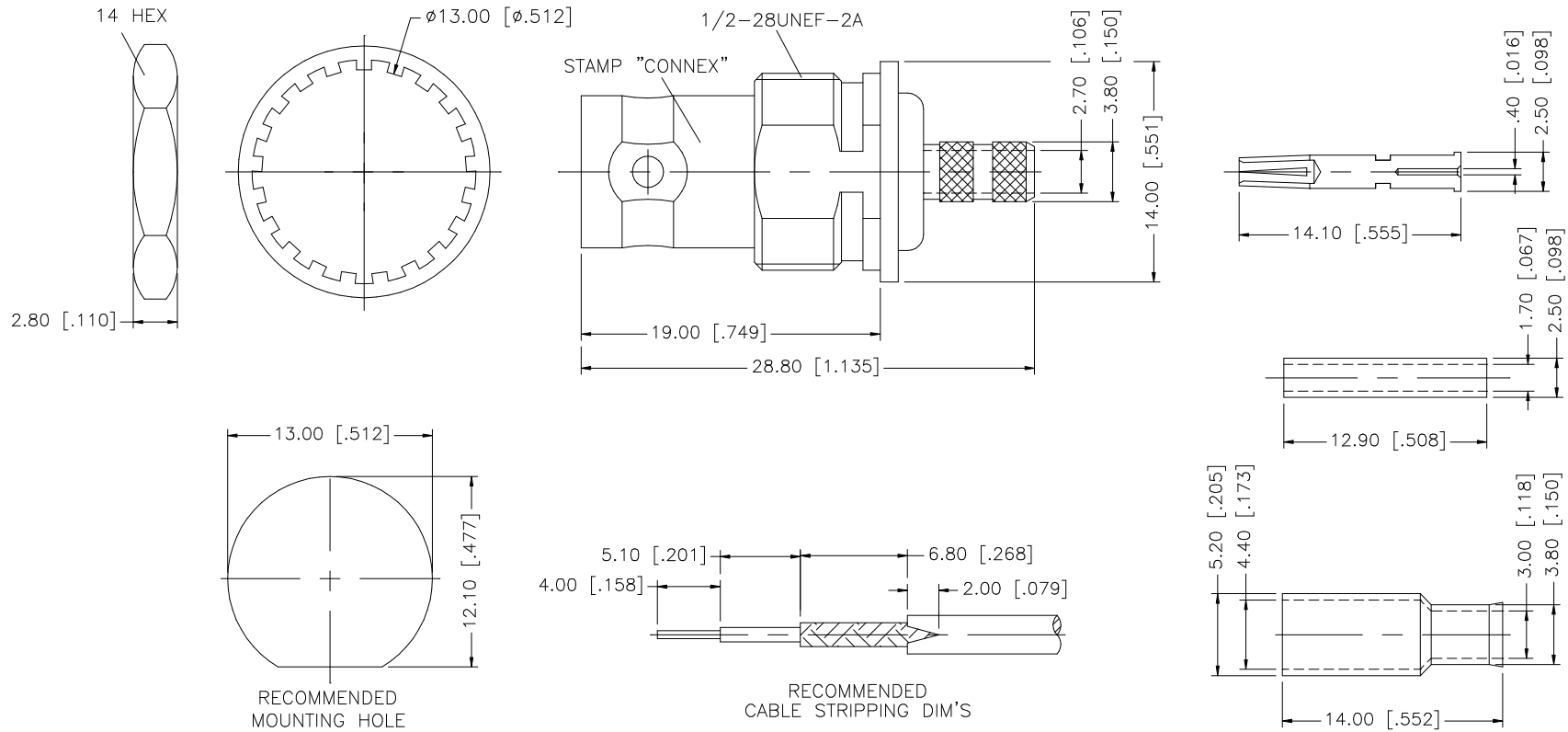


REV.	DATE	DESCRIPTION
A	06/19/00	MODIFY BODY MATERIAL TO BRASS
B	10/18/06	UPDATE DRAWING FORMAT



QTY	DESCRIPTION	MATERIAL	FINISH
1	BODY	BRASS	NICKEL
1	INSULATOR	TEFLON	NATURAL
1	CONTACT PIN	PHOS. BRONZE	GOLD
1	SLEEVE	TEFLON	NATURAL
1	LOCK WASHER	BRASS	NICKEL
1	HEX NUT	BRASS	NICKEL
1	FERRULE	BRASS	NICKEL

UNLESS OTHERWISE SPECIFIED DIMENSIONS ARE IN MILLIMETERS. DIMENSIONS IN [] ARE IN INCHES AND FOR CUSTOMER REFERENCE ONLY.

UNLESS OTHERWISE SPECIFIED TOLERANCES FOR MILLIMETERS ARE:
0.5 - 8mm ± 0.20mm
8 - 30mm ± 0.40mm
30 - 120mm ± 0.50mm

UNLESS OTHERWISE SPECIFIED TOLERANCES FOR INCHES ARE:
.020 - .315 = ± 0.007"
.315 - 1.180 = ± 0.015"
1.180 - 4.724 = ± 0.020"

DO NOT SCALE DRAWING

APPROVALS	DATE
DRAWN G.R.S.	10/18/06
CHECKED	
ISSUED	
SHEET 1 OF 1	
CAD FILE	C:/112/112235-11.DWG

Amphenol Connex

PART DESCRIPTION
**BNC BULKHEAD CRIMP JACK - SMALL FLANGE
(FOR RG-179/U, 187/U CABLE)**

PART NO.
112235-11

DWG. NO.	112235-11.DWG	REV.	B	SIZE	A	SCALE	NA
----------	---------------	------	---	------	---	-------	----