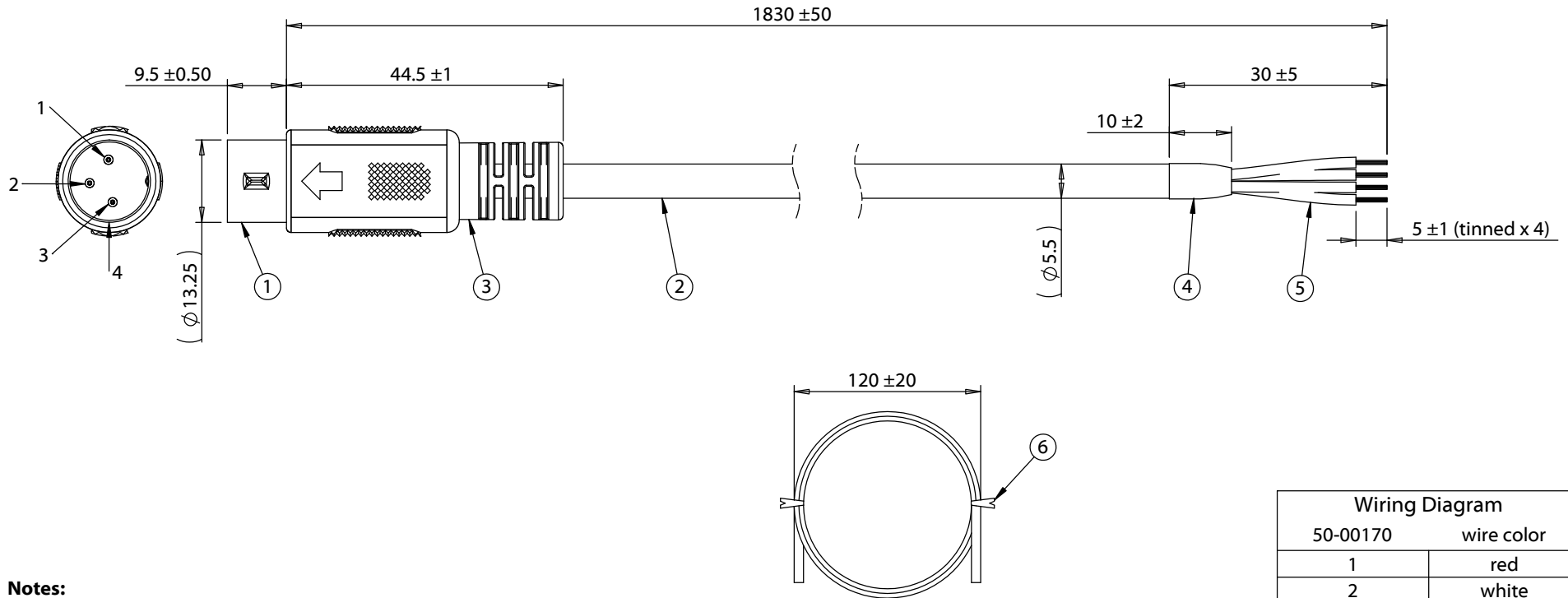


ITEM NO.	PART NUMBER	DESCRIPTION	QTY.	COMPONENT NOTES
1	50-00170	Connector, 3P standard DIN male, molding style, brass, nickel plating, 180°	1	
2	30-00023	Wire, 3C, 20 AWG, UL2464, 300 V, 80 C, 5.5 mm, shielded, VW-1, PVC, 79A	1	
3	24-00031	Overmold, PVC	1	black
4	Heat Shrink	Heat shrink tube, Ø 6.0, 105° C, L=10 ±2 mm	1	black
5	Heat Shrink	Heat shrink tube, Ø 1.0, 105° C, L=30 ±5 mm	1	black, covers drain wire
6	Tie	Twist tie	2	black



**Notes:**  
Functionally equivalent components may be substituted

Electrical requirement: 2 A, 12 Vdc

Wiring Diagram	
50-00170	wire color
1	red
2	white
3	black
4	drain/black

Revision:	Date:	Description:	Prepared:	Notes:	<h1>TENSILITY</h1> tel 1.541.323.3228 800 877.670.7118 fax 1.541.323.4202 web tensility.com
A	3/08/2011	Initial release	GL <small>Digitally signed by GL Date: 2017.06.12 17:01:09 -07'00'</small>		
			Verified:	Function test: no open, no short circuit, no intermittent	Size: Part number: A 10-00433
			AW <small>Digitally signed by AW Date: 2020.09.21 11:29:54 -07'00'</small>		
			Dimensions are in millimeters. Tolerances: X: ± 0.5 mm X.X: ± 0.3 mm X.XX: ± 0.05 mm	Description: Cable, 1830 mm, 3P DIN male 50-00170, to stripped tinned, 20 AWG, UL2464 30-00023, shielded	Scale: 1:1
					Sheet 1 of 1