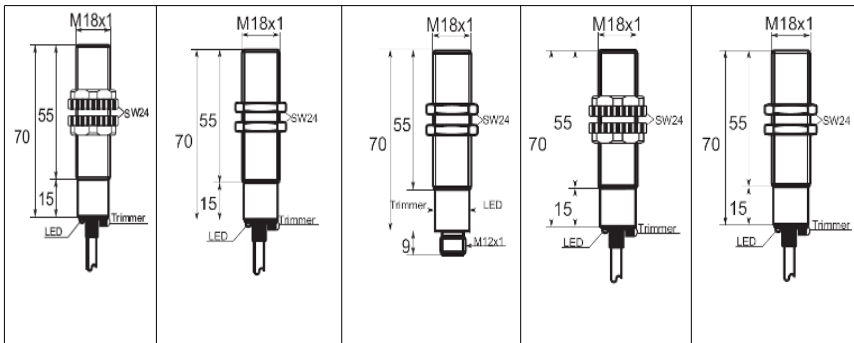


## M18 Capacitive Proximity Sensors

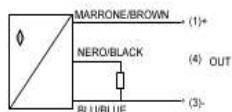
**Standard Length  
NAMUR**

**3 Wire DC  
ABS Material  
PTFE Material**

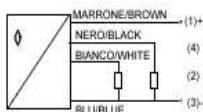


NAMUR		(Wiring Schematic)	(3)	CPN72185C				
3 Wire DC	PNP – Normally Open	(1)		CPN32188C	CPN32188M12	CPN32188C.A	CPN32188C.F	
	PNP – Normally Closed	(1)		CPN33188C	CPN33188M12	CPN33188C.A	CPN33188C.F	
	PNP – Selectable	(4)		CPN34188C	CPN34188M12	CPN34188C.A	CPN34188C.F	
	NPN – Normally Open	(2)		CPN22188C	CPN252188M12	CPN22188C.A	CPN22188C.F	
	NPN – Normally Closed	(2)		CPN23188C	CPN23188M12	CPN23188C.A	CPN23188C.F	
	NPN – Selectable	(5)		CPN24188C	CPN24188M12	CPN24188C.A	CPN24188C.F	
2 Wire DC	Normally Open		-	-	-	-	-	
	Normally Closed		-	-	-	-	-	
2 Wire AC	Normally Open		-	-	-	-	-	
	Normally Closed		-	-	-	-	-	
Mating cables / connectors								
Form			M18 Shielded	M18 Shielded	M18 Shielded	M18 Shielded	M18 Shielded	
Nominal Sensing Distance (Sn)			1 to 5mm	1 to 8mm	1 to 8mm	1 to 8mm	1 to 8mm	
Housing Material			ABS	Nickel Plated Brass	Nickel Plated Brass	ABS	Teflon – PTFE	
Termination Type			2.0 Meter Cable	2.0 Meter Cable	2.0 Meter Cable	2.0 Meter Cable	M12 Connector	
Min / Max Supply Voltage			10 to 30Vdc					
Max. Load Current (Ir)			200mA					
Max ripple factor (Vr)			≤ 10%					
Voltage Drop (Ud)			≤ 3V @ 200mA					
Power Consumption (Io)			≤ 15mA					
Switching Frequency (Hz)			100 Hz	100 Hz	100 Hz	100 Hz	100 Hz	
Repeatability			< 10% nominal sensing distance					
Hysteresis			2 to 15% Sn					
Short Circuit Protection			Yes					
Output LED			Yes					
Operating Temperature			-20 to +70 C					
IP Rating			IP65 (with connector mounted)					

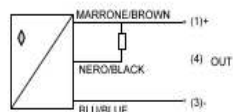
### Wiring Diagram



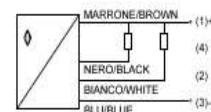
① PNP



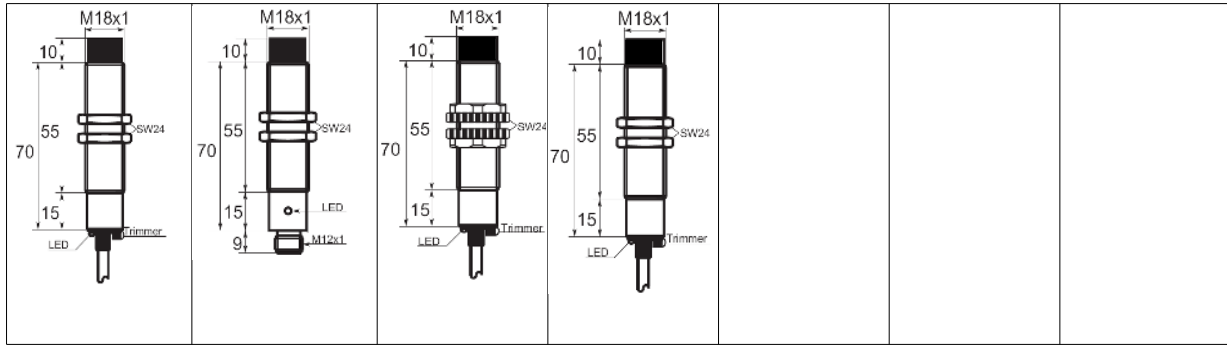
④ PNP



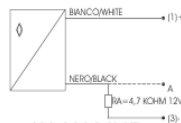
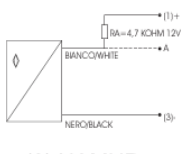
② NPN



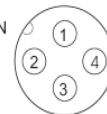
⑤ NPN



PNP – NO	CPN351815C	CPN351815M12	CPN351815C.A	CPN351815C.F	-	-	-
PNP – NC	CPN361815C	CPN361815M12	CPN361815C.A	CPN361815C.F	-	-	-
PNP – NO/NC	CPN371815C	CPN371815M12	CPN371815C.A	CPN371815C.F	-	-	-
NPN – NO	CPN251815C	CPN2351815M12	CPN251815C.A	CPN251815C.F	-	-	-
NPN – NC	CPN261815C	CPN261815M12	CPN261815C.A	CPN261815C.F	-	-	-
NPN – NO/NC	CPN271815C	CPN271815M12	CPN271815C.A	CPN271815C.F	-	-	-
2W DC NO	-	-	-	-	-	-	-
2W DC NC	-	-	-	-	-	-	-
2W AC NO	-	-	-	-	-	-	-
2W AC NC	-	-	-	-	-	-	-
Mates							
Form	M18 Non-Shielded	M18 Non-Shielded	M18 Non-Shielded	M18 Non-Shielded			
Sn	2 to 15mm	2 to 15mm	2 to 15mm	2 to 15mm			
Housing	Nickel Plated Brass	Nickel Plated Brass	ABS	PTFE			
Termination	2.0 Meter Cable	M12 Connector	2.0 Meter Cable	2.0 Meter Cable			
Supply Vdc	10 to 30Vdc						
Max Load	200mA						
Max ripple	≤ 10%						
Ud	≤ 3V @ 200mA						
Io	≤ 15mA						
Hz	100 Hz	100 Hz	100 Hz	100 Hz			
Repeatability	< 10% nominal sensing distance						
Hysteresis	≤ 10% Sn						
Short Protection	Yes						
LED	Yes						
Op Temp	-20 to +70 C						
IP Rating	IP65 (with connector mounted)						



1 + MARRONE / BROWN  
 4 OUT NERO / BLACK  
 3 - BLU / BLUE



1 + MARRONE / BROWN  
 2 NC OUT BIANCO/WHITE  
 3 - BLU / BLUE  
 4 NO OUT NERO / BLACK

