

SACCBP-FSD-4CON-PG9/0,5-933SCO - Device connector, rear mounting



1437766

<https://www.phoenixcontact.com/us/products/1437766>

Please be informed that the data shown in this PDF document is generated from our online catalog. Please find the complete data in the user documentation. Our general terms of use for downloads are valid.



Device connector, rear mounting, PROFINET CAT5 (IEC 11801:2002) (100 Mbps), EtherCAT® CAT5 (100 Mbps), 4-position, PVC, green RAL 6018, shielded, Socket, straight, M12-SPEEDCON, coding: D , on free cable end, Rear mounting, Cable lug connection, cable length: 0.5 m, PROFINET PVC stranded CAT5, Alternative product in accordance with RoHS II without Exemption 6c (Pb <0.1%) item no.: 1239680

Your advantages

- Preassembled with cables in various standard lengths for immediate use
- Customer-specific assemblies and cable lengths can be supplied
- Sealed on the cable side for optimum tightness of seal
- Cable designs for all common networks and fieldbuses
- For high transmission safety: shield connection to the housing with optional EMC nut

Commercial data

Item number	1437766
Packing unit	1 pc
Minimum order quantity	1 pc
Sales key	AB25
Product key	ABQDGJ
Catalog page	Page 307 (PC-2011)
GTIN	4046356458504
Weight per piece (including packing)	66.5 g
Weight per piece (excluding packing)	56.5 g
Customs tariff number	85444290
Country of origin	DE

SACCBP-FSD-4CON-PG9/0,5-933SCO - Device connector, rear mounting



1437766

<https://www.phoenixcontact.com/us/products/1437766>

Technical data

Notes

General	The electrical and mechanical data specified assume that the connector pair is correctly locked and mounted. If the connector is unlocked and if there is a danger of contamination, the connector must be sealed using a protective cap > IP54. Influences arising from litz wires, cables or PCB assembly must also be taken into consideration.
Safety note	<p data-bbox="849 819 1452 902">WARNING: The connectors may not be plugged in or disconnected under load. Ignoring the warning or improper use may damage persons and/or property.</p> <ul data-bbox="849 916 1469 2087" style="list-style-type: none"><li data-bbox="849 916 1430 1025">• WARNING: Commission properly functioning products only. The products must be regularly inspected for damage. Decommission defective products immediately. Replace damaged products. Repairs are not possible.<li data-bbox="849 1041 1469 1234">• WARNING: Only electrically qualified personnel may install and operate the product. They must observe the following safety notes. The qualified personnel must be familiar with the basics of electrical engineering. They must be able to recognize and prevent danger. The relevant symbol on the packaging indicates that only personnel familiar with electrical engineering are allowed to install and operate the product.<li data-bbox="849 1249 1437 1305">• The products are suitable for applications in plant, controller, and electrical device engineering.<li data-bbox="849 1321 1449 1377">• When operating the connectors in outdoor applications, they must be separately protected against environmental influences.<li data-bbox="849 1393 1425 1449">• Assembled products may not be manipulated or improperly opened.<li data-bbox="849 1464 1449 1543">• Only use mating connectors that are specified in the technical data of the standards listed (e.g. the ones listed in the product accessories online at phoenixcontact.com/products).<li data-bbox="849 1559 1430 1615">• When using the product in direct connection with third-party manufacturers, the user is responsible.<li data-bbox="849 1630 1398 1686">• For operating voltages > 50 V AC, conductive connector housings must be grounded<li data-bbox="849 1702 1409 1780">• Ensure that when laying the cable, the tensile load on the connectors does not exceed the upper limit specified in the standards.<li data-bbox="849 1796 1417 1960">• Observe the corresponding technical data. You will find information:<ul data-bbox="849 1848 1417 1960" style="list-style-type: none"><li data-bbox="849 1848 1011 1877">o On the product<li data-bbox="849 1877 1062 1906">o On the packing label<li data-bbox="849 1906 1153 1935">o In the supplied documentation<li data-bbox="849 1935 1417 1960">o Online at phoenixcontact.com/products under the product<li data-bbox="849 1975 1337 2004">• Only use tools recommended by Phoenix Contact<li data-bbox="849 2020 1449 2087">• Use a protective cap to protect connectors that are not in use. The suitable accessories are available online in the accessory section of the product at phoenixcontact.com/products

SACCBP-FSD-4CON-PG9/0,5-933SCO - Device connector, rear mounting



1437766

<https://www.phoenixcontact.com/us/products/1437766>

	<ul style="list-style-type: none"> • Ensure that the protective or functional ground has been properly connected. • VDE 0100/1.97 § 411.1.3.2 and DIN EN 60 204/11.98 § 14.1.3 are applicable when combining several circuits in a cable and/or connector • The connector warms up in normal operation. Depending on the ambient conditions, the surface of the connector can continue to warm up. In this case, the user is responsible for posting warnings (e.g. DIN EN ISO 13732-1:2008-12).
--	---

Mounting

Mounting type	Rear mounting
Connection method	Cable lug connection

Product properties

Product type	Circular connectors (device side)
Sensor type	PROFINET
Number of positions	4
Application	Data
No. of cable outlets	1
Shielded	yes
Coding	D

Insulation characteristics

Overvoltage category	II
Degree of pollution	3

Material specifications

Flammability rating according to UL 94	V0
Seal material	FKM
Contact material	CuZn
Contact surface material	Ni/Au
Contact carrier material	PA 6.6
Material for screw connection	Brass, nickel-plated
Outer sheath, material	PVC

Electrical properties

Rated surge voltage	2.5 kV
Contact resistance	≤ 3 mΩ
Insulation resistance	≥ 100 MΩ
Nominal voltage U_N	250 V AC
Nominal current I_N	4 A (Plug/socket in accordance with IEC 61076-2-101, cable technical data is to be observed)
Transmission medium	Copper
Transmission characteristics (category)	CAT5 (IEC 11801:2002)

SACCBP-FSD-4CON-PG9/0,5-933SCO - Device connector, rear mounting



1437766

<https://www.phoenixcontact.com/us/products/1437766>

Connection data

Conductor connection

Connection method	Cable lug connection
Tightening torque	2 Nm
	3 Nm

Mechanical properties

Mechanical data

Insertion/withdrawal cycles	≥ 100
-----------------------------	-------

Connector

Connection 1

Head design	Socket
Head cable outlet	straight
Head thread type	M12
Head locking type	SPEEDCON
Coding	D


Connection 2

Head design	free cable end
-------------	----------------

Cable/line

Cable length	0.5 m
--------------	-------

PROFINET PVC stranded CAT5 [93B]

Dimensional drawing	
Cable weight	67 kg/km
UL AWM Style	21694
Number of positions	4
Shielded	yes
Cable type	PROFINET PVC stranded CAT5 [93B]
Conductor structure	1x4xAWG22/7, SF/TQ
Signal runtime	5.3 ns/m
Signal speed	0.66 c

SACCBP-FSD-4CON-PG9/0,5-933SCO - Device connector, rear mounting



1437766

<https://www.phoenixcontact.com/us/products/1437766>

Conductor structure signal line	7x 0.25 mm
AWG signal line	22
Conductor cross section	4x 0.34 mm ²
Wire diameter incl. insulation	1.55 mm
External cable diameter	6.5 mm ±0.2 mm
Outer sheath, material	PVC
External sheath, color	green RAL 6018
Conductor material	Tin-plated Cu litz wires
Material wire insulation	PE
Single wire, color	white, yellow, blue, orange
Thickness, outer sheath	approx. 0.9 mm
Overall twist	Star quad
Optical shield covering	85 %
Insulation resistance	≥ 500 MΩ*km
Coupling resistance	≤ 20.00 mΩ/m (at 10 MHz)
Loop resistance	≤ 120.00 Ω/km
Wave impedance	100 Ω ±15 Ω (at 100 MHz)
Nominal voltage, cable	600 V
Test voltage Core/Core	2000 V (50 Hz, 1 min.)
Test voltage Core/Shield	2000 V (50 Hz, 1 min.)
Minimum bending radius, fixed installation	3 x D
Minimum bending radius, flexible installation	7 x D
Near end crosstalk attenuation (NEXT)	80 dB (with 1 MHz)
	76 dB (at 4 MHz)
	70 dB (at 10 MHz)
	65 dB (at 16 MHz)
	63 dB (at 20 MHz)
	60 dB (at 31.25 MHz)
	55 dB (at 62.5 MHz)
	50 dB (at 100 MHz)
Shield attenuation	2.1 dB (with 1 MHz)
	4 dB (at 4 MHz)
	6.3 dB (at 10 MHz)
	8 dB (at 16 MHz)
	9 dB (at 20 MHz)
	11.4 dB (at 31.25 MHz)
	16.5 dB (at 62.5 MHz)
	21.3 dB (at 100 MHz)
Flame resistance	according to UL 1685 (CSA FT 4)
Resistance to oil	Resistant to oil to a limited extent
Other resistance	UV resistant According to UL 1581, Section 1200
Ambient temperature (operation)	-40 °C ... 70 °C (cable, fixed installation)

SACCBP-FSD-4CON-PG9/0,5-933SCO - Device connector, rear mounting



1437766

<https://www.phoenixcontact.com/us/products/1437766>

	-40 °C ... 70 °C (Cable, flexible installation)
Ambient temperature (installation)	-20 °C ... 60 °C

Environmental and real-life conditions

Ambient conditions

Degree of protection	IP67 (When plugged in)
	IP65 (When plugged in)
	IP65/IP67
Ambient temperature (operation)	-25 °C ... 85 °C (Plug / socket)
	-40 °C ... 85 °C (without mechanical actuation)

Standards and regulations

M12

Standard designation	M12 connector
Standards/specifications	IEC 61076-2-101

SACCBP-FSD-4CON-PG9/0,5-933SCO - Device connector, rear mounting

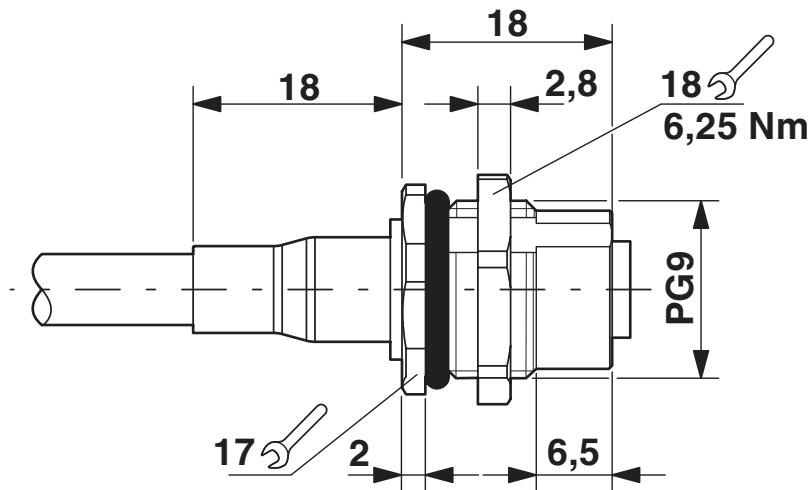


1437766

<https://www.phoenixcontact.com/us/products/1437766>

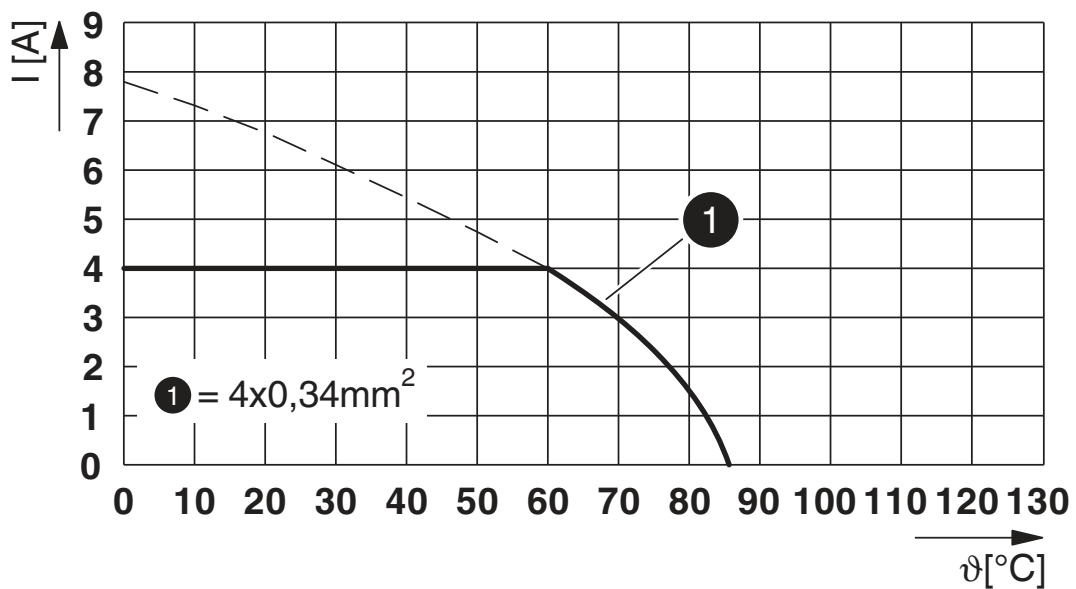
Drawings

Dimensional drawing



Dimensional drawing

Diagram



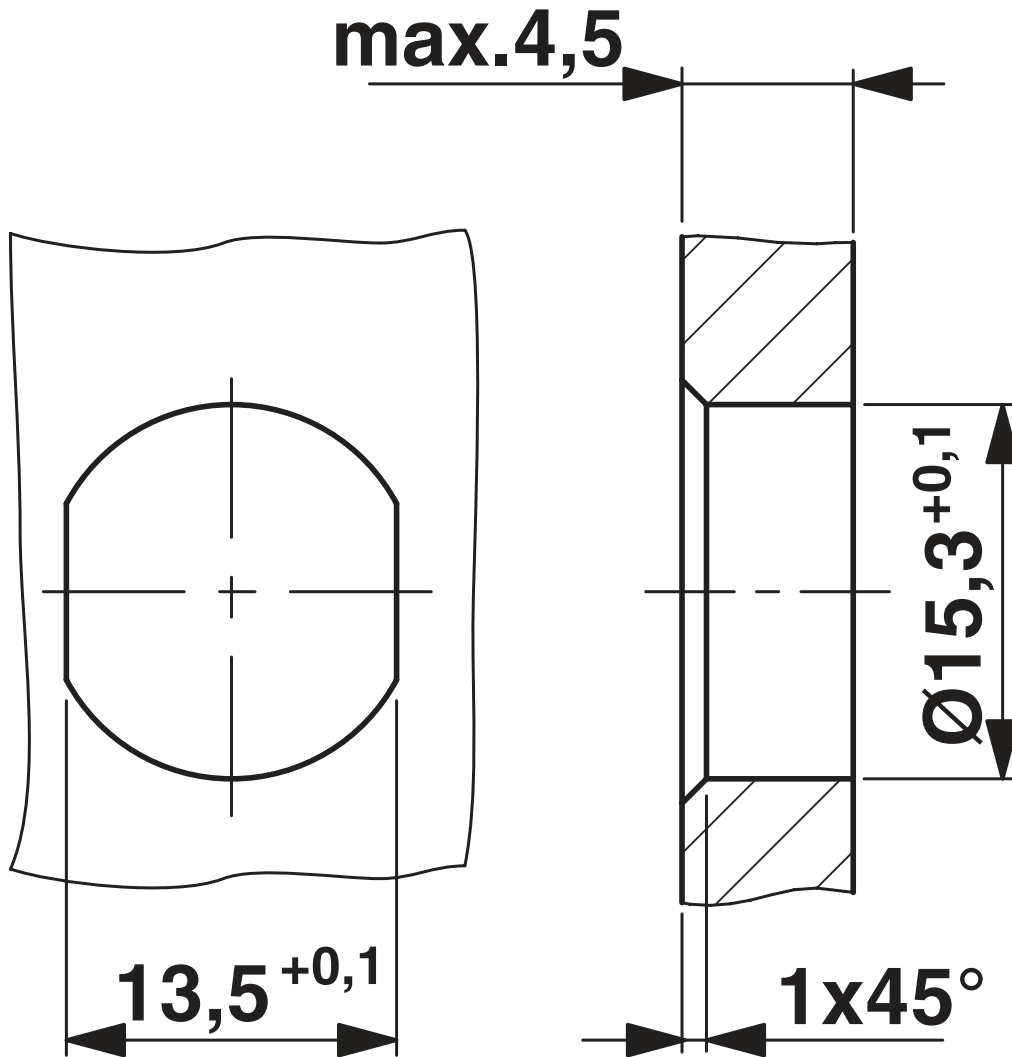
I = current strength, T = ambient temperature

SACCBP-FSD-4CON-PG9/0,5-933SCO - Device
connector, rear mounting

1437766

<https://www.phoenixcontact.com/us/products/1437766>

Dimensional drawing



Housing cutout for Pg9 fastening thread, mounting panel with feed-through hole (alternatively with surface as protection against rotation)

SACCBP-FSD-4CON-PG9/0,5-933SCO - Device connector, rear mounting





1437766


<https://www.phoenixcontact.com/us/products/1437766>


Approvals

To download certificates, visit the product detail page: <https://www.phoenixcontact.com/us/products/1437766>

	UL Recognized Approval ID: E118976-20100522				
	Nominal voltage U_N	Nominal current I_N	Cross section AWG	Cross section mm^2	
	250 V	4 A	- 22	-	

	EAC Approval ID: B.01687				
---	------------------------------------	--	--	--	--

	cUL Recognized Approval ID: E221474-20220908				
	Nominal voltage U_N	Nominal current I_N	Cross section AWG	Cross section mm^2	
	250 V	1.5 A	-	-	

	UL Recognized Approval ID: E221474-20220908				
	Nominal voltage U_N	Nominal current I_N	Cross section AWG	Cross section mm^2	
	250 V	4 A	-	-	

SACCBP-FSD-4CON-PG9/0,5-933SCO - Device connector, rear mounting



1437766

<https://www.phoenixcontact.com/us/products/1437766>

Classifications

ECLASS

ECLASS-11.0	27440103
ECLASS-12.0	27440103
ECLASS-13.0	27440103

ETIM

ETIM 8.0	EC003570
----------	----------

UNSPSC

UNSPSC 21.0	39121400
-------------	----------

SACCBP-FSD-4CON-PG9/0,5-933SCO - Device connector, rear mounting



1437766

<https://www.phoenixcontact.com/us/products/1437766>

Environmental product compliance

REACH SVHC	Lead 7439-92-1
China RoHS	Environmentally Friendly Use Period = 50 years
	For information on hazardous substances, refer to the manufacturer's declaration available under "Downloads"

SACCBP-FSD-4CON-PG9/0,5-933SCO - Device connector, rear mounting



1437766

<https://www.phoenixcontact.com/us/products/1437766>

Accessories

SACC-M16-SEALING PLUG SET - Screw plug

1453368

<https://www.phoenixcontact.com/us/products/1453368>



Screw plug, Rear mounting, M16 x 1.5, Alternative product in accordance with RoHS II without Exemption 6c (Pb <0.1%) item no.: 1239800

PROT-M12 - Screw plug

1680539

<https://www.phoenixcontact.com/us/products/1680539>



An M12 screw plug for the unoccupied M12 sockets of the sensor/actuator cable, boxes and flush-type connectors

SACCBP-FSD-4CON-PG9/0,5-933SCO - Device connector, rear mounting



1437766

<https://www.phoenixcontact.com/us/products/1437766>

PROT-M12 SH - Screw plug

1503302

<https://www.phoenixcontact.com/us/products/1503302>



An M12 screw plug for the unoccupied M12 sockets of the shielded sensor/actuator cable, boxes and flush-type connectors

PROT-M12 FB - Screw plug

1555538

<https://www.phoenixcontact.com/us/products/1555538>



M12 high-grade steel screw plug, for unoccupied M12 sockets of the sensor/actuator cables, boxes and flush-type connectors for the food industry

SACCBP-FSD-4CON-PG9/0,5-933SCO - Device connector, rear mounting



1437766

<https://www.phoenixcontact.com/us/products/1437766>

SACC-M16-SEAL CLM - Flat gasket

1430394

<https://www.phoenixcontact.com/us/products/1430394>

M16 flat gasket for M12 flush-type connectors with M16 fastening thread



CUTFOX 12 - Cable-cutting tool

1212128

<https://www.phoenixcontact.com/us/products/1212128>

Cable cutter, for copper and aluminum up to 12 mm diameter (up to 35 mm²)



SACCBP-FSD-4CON-PG9/0,5-933SCO - Device connector, rear mounting



1437766

<https://www.phoenixcontact.com/us/products/1437766>

CUTFOX-S VDE - Diagonal cutter

1212207

<https://www.phoenixcontact.com/us/products/1212207>



Diagonal cutter for hard (piano wire) and soft wires, VDE 1000 V AC/1500 V DC tested

VS-CABLE-STRIP-VARIO - Stripping tool

1657407

<https://www.phoenixcontact.com/us/products/1657407>

Stripping tool, for the multi-level stripping of shielded cables



SACCBP-FSD-4CON-PG9/0,5-933SCO - Device connector, rear mounting



1437766

<https://www.phoenixcontact.com/us/products/1437766>

MICROFOX-SP-1 - Diagonal cutter

1212487

<https://www.phoenixcontact.com/us/products/1212487>



Electronic diagonal cutter, tapered head, without chamfer, with opening spring, non-reflective phosphate-treated surface, punched version

WIREFOX 4 - Stripping tool

1212156

<https://www.phoenixcontact.com/us/products/1212156>



Stripping tool, for cables and conductors (especially for rubber and silicone insulations) from 0.1 - 4 mm², self-adjusting, stripping length of up to 18 mm, cutting capacity of up to 10 mm² stranded/1.5 mm² solid, replaceable stripping blade

SACCBP-FSD-4CON-PG9/0,5-933SCO - Device connector, rear mounting

1437766

<https://www.phoenixcontact.com/us/products/1437766>

WIREFOX-E 4 - Stripping tool

1212704

<https://www.phoenixcontact.com/us/products/1212704>



Stripping tool, for cables and conductors (especially for rubber and silicone insulations) from 0.1 - 4 mm², self-adjusting, stripping length of up to 18 mm, cutting capacity of up to 10 mm² stranded/1.5 mm² solid, replaceable stripping blade

WIREFOX 10 - Stripping tool

1212150

<https://www.phoenixcontact.com/us/products/1212150>



Stripping tool, for cables and conductors from 0.02 - 10 mm², self-adjusting, stripping length of up to 18 mm, cutting capacity of up to 10 mm² stranded/1.5 mm² solid, replaceable stripping blade

SACCBP-FSD-4CON-PG9/0,5-933SCO - Device connector, rear mounting



1437766

<https://www.phoenixcontact.com/us/products/1437766>

WP-CTA POM 13,0 BK - Protective hose adapter

1422884

<https://www.phoenixcontact.com/us/products/1422884>



Protective hose adapter, for corrugated hoses with a nominal size of 13 (10 x 13), corrugated in parallel

WP-PA HF 13,0 BK - Protective hose

3240681

<https://www.phoenixcontact.com/us/products/3240681>



Protective hose, material: PA 6, UV-resistant: yes, flexible, degree of protection: IP68, color: black, flammability rating in acc. with UL 94: V0, inner diameter: 10 mm, Total length: 50 m

SACCBP-FSD-4CON-PG9/0,5-933SCO - Device connector, rear mounting

1437766

<https://www.phoenixcontact.com/us/products/1437766>

WP-PA HF-HB 13,0 BK - Protective hose

3240839

<https://www.phoenixcontact.com/us/products/3240839>



Protective hose, material: PA 6, UV-resistant: yes, flexible, degree of protection: IP68, color: black, flammability rating in acc. with UL 94: HB, inner diameter: 10 mm, Total length: 50 m

SACC-M12MSD-4QO SH PN - Data connector

1411068

<https://www.phoenixcontact.com/us/products/1411068>



Data connector, PROFINET CAT5 (100 Mbps), 4-position, halogen-free, shielded, Plug straight M12, D, Insulation displacement connection, knurl material: Zinc die-cast, nickel-plated, external cable diameter 5 mm ... 9.7 mm

SACCBP-FSD-4CON-PG9/0,5-933SCO - Device connector, rear mounting



1437766

<https://www.phoenixcontact.com/us/products/1437766>

SACC-M12MRD-4Q SH PN - Data connector

1554539

<https://www.phoenixcontact.com/us/products/1554539>

Data connector, PROFINET CAT5 (100 Mbps), 4-position, shielded, Plug angled M12, D, Insulation displacement connection, knurl material: Brass, nickel-plated, external cable diameter 4 mm ... 8 mm



SACC-M12FSD-4QO SH PN - Data connector

1411071

<https://www.phoenixcontact.com/us/products/1411071>

Data connector, PROFINET CAT5 (100 Mbps), 4-position, halogen-free, shielded, Socket straight M12, D, Insulation displacement connection, knurl material: Zinc die-cast, nickel-plated, external cable diameter 5 mm ... 9.7 mm



SACCBP-FSD-4CON-PG9/0,5-933SCO - Device connector, rear mounting



1437766

<https://www.phoenixcontact.com/us/products/1437766>

SACC-M12FRD-4Q SH PN - Data connector

1554542

<https://www.phoenixcontact.com/us/products/1554542>



Data connector, PROFINET CAT5 (100 Mbps), 4-position, shielded, Socket angled M12, D, Insulation displacement connection, knurl material: Brass, nickel-plated, external cable diameter 4 mm ... 8 mm

SACC-CC-4QO SH PN - Conductor connectors

1414416

<https://www.phoenixcontact.com/us/products/1414416>



Cable connector, PROFINET CAT5 (100 Mbps), 4-pos., halogen-free, shielded, insulation displacement connection, housing material: zinc die-cast, nickel-plated, outer cable diameter of 5 mm ... 9.7 mm

SACCBP-FSD-4CON-PG9/0,5-933SCO - Device connector, rear mounting

1437766

<https://www.phoenixcontact.com/us/products/1437766>

SACC-M12MSD-4PL SH PN - Connector

1424682

<https://www.phoenixcontact.com/us/products/1424682>



Connector, PROFINET CAT5 (100 Mbps), 4-position, shielded, Plug straight M12, D, Push-lock spring connection, knurl material: Zinc die-cast, nickel-plated, external cable diameter 4 mm ... 8 mm

SACC-M12MRD-4PL SH PN - Connector

1424684

<https://www.phoenixcontact.com/us/products/1424684>



Connector, PROFINET CAT5 (100 Mbps), 4-position, shielded, Plug angled M12, D, Push-lock spring connection, knurl material: Zinc die-cast, nickel-plated, external cable diameter 4 mm ... 8 mm

SACCBP-FSD-4CON-PG9/0,5-933SCO - Device connector, rear mounting



1437766

<https://www.phoenixcontact.com/us/products/1437766>

SACC-M12FSD-4PL SH PN - Connector

1424683

<https://www.phoenixcontact.com/us/products/1424683>



Connector, PROFINET CAT5 (100 Mbps), 4-position, shielded, Socket straight M12, D, Push-lock spring connection, knurl material: Zinc die-cast, nickel-plated, external cable diameter 4 mm ... 8 mm

SACC-M12FRD-4PL SH PN - Connector

1424685

<https://www.phoenixcontact.com/us/products/1424685>



Connector, PROFINET CAT5 (100 Mbps), 4-position, shielded, Socket angled M12, D, Push-lock spring connection, knurl material: Zinc die-cast, nickel-plated, external cable diameter 4 mm ... 8 mm

SACCBP-FSD-4CON-PG9/0,5-933SCO - Device connector, rear mounting



1437766

<https://www.phoenixcontact.com/us/products/1437766>

SACC-M12MSD-4CT-CM SH PN - Data connector

1422846

<https://www.phoenixcontact.com/us/products/1422846>



Data connector, PROFINET CAT5 (100 Mbps), 4-position, shielded, Plug straight M12, D, Crimp connection, knurl material: Zinc die-cast, tin-plated, external cable diameter 4.5 mm ... 7.5 mm, without crimp contacts

SACC-M12MRD-4CT-CM SH PN - Data connector

1422847

<https://www.phoenixcontact.com/us/products/1422847>



Data connector, PROFINET CAT5 (100 Mbps), 4-position, shielded, Plug angled M12, D, Crimp connection, knurl material: Zinc die-cast, tin-plated, external cable diameter 4.5 mm ... 7.5 mm, without crimp contacts

SACCBP-FSD-4CON-PG9/0,5-933SCO - Device connector, rear mounting



1437766

<https://www.phoenixcontact.com/us/products/1437766>

SACC-M12FSD-4CT-CM SH PN - Data connector

1422848

<https://www.phoenixcontact.com/us/products/1422848>



Data connector, PROFINET CAT5 (100 Mbps), 4-position, shielded, Socket straight M12, D, Crimp connection, knurl material: Zinc die-cast, tin-plated, external cable diameter 4.5 mm ... 7.5 mm, without crimp contacts

SACC-M12FRD-4CT-CM SH PN - Data connector

1422849

<https://www.phoenixcontact.com/us/products/1422849>



Data connector, PROFINET CAT5 (100 Mbps), 4-position, shielded, Socket angled M12, D, Crimp connection, knurl material: Zinc die-cast, tin-plated, external cable diameter 4.5 mm ... 7.5 mm, without crimp contacts

SACCBP-FSD-4CON-PG9/0,5-933SCO - Device connector, rear mounting

1437766

<https://www.phoenixcontact.com/us/products/1437766>

VS-PN-RJ45-5-Q/IP20 - RJ45 connector

1658435

<https://www.phoenixcontact.com/us/products/1658435>



RJ45 connector, design: RJ45, degree of protection: IP20, number of positions: 4, 100 Mbps, CAT5, material: Plastic, connection method: Insulation displacement connection, cable outlet: straight, color: traffic grey A RAL 7042, PROFINET

CUC-IND-C1ZNI-S/R4IP8 - RJ45 connector

1421126

<https://www.phoenixcontact.com/us/products/1421126>



RJ45 connector, design: RJ45, degree of protection: IP20, number of positions: 8, 1 Gbps, CAT5, material: Metal, connection method: Insulation displacement connection, connection cross section: AWG 23- 22, cable outlet: straight, color: green, Ethernet/PROFINET

SACCBP-FSD-4CON-PG9/0,5-933SCO - Device connector, rear mounting



1437766

<https://www.phoenixcontact.com/us/products/1437766>

CUC-IND-C1ZNI-T/R4IP8 - RJ45 connector

1421128

<https://www.phoenixcontact.com/us/products/1421128>



RJ45 connector, design: RJ45, degree of protection: IP20, number of positions: 8, 1 Gbps, CAT5, material: Metal, connection method: Insulation displacement connection, connection cross section: AWG 23- 22, cable outlet: angled, Ethernet/PROFINET

CUC-IND-C1ZNI-B/R4IP8 - RJ45 connector

1421127

<https://www.phoenixcontact.com/us/products/1421127>



RJ45 connector, design: RJ45, degree of protection: IP20, number of positions: 8, 1 Gbps, CAT5, material: Metal, connection method: Insulation displacement connection, connection cross section: AWG 23- 22, cable outlet: angled, Ethernet/PROFINET

SACCBP-FSD-4CON-PG9/0,5-933SCO - Device connector, rear mounting



1437766

<https://www.phoenixcontact.com/us/products/1437766>

CUC-V14-C1ZNI-S/R4P8 - RJ45 connector

1422664

<https://www.phoenixcontact.com/us/products/1422664>



RJ45 connector, degree of protection: IP65/IP67, number of positions: 8, 1 Gbps, CAT5, material: Metal, connection method: IDC fast connection, connection cross section: AWG 23- 22, cable outlet: straight, Ethernet

CUC-V14-C1ZNI-T/R4P8 - RJ45 connector

1422667

<https://www.phoenixcontact.com/us/products/1422667>



RJ45 connector, degree of protection: IP65/IP67, number of positions: 8, 1 Gbps, CAT5, material: Metal, connection method: IDC fast connection, connection cross section: AWG 23- 22, cable outlet: angled, Ethernet

SACCBP-FSD-4CON-PG9/0,5-933SCO - Device connector, rear mounting



1437766

<https://www.phoenixcontact.com/us/products/1437766>

CUC-V14-C1ZNI-B/R4P8 - RJ45 connector

1422665

<https://www.phoenixcontact.com/us/products/1422665>



RJ45 connector, degree of protection: IP65/IP67, number of positions: 8, 1 Gbps, CAT5, material: Metal, connection method: IDC fast connection, connection cross section: AWG 23- 22, cable outlet: angled, Ethernet

Phoenix Contact 2023 © - all rights reserved
<https://www.phoenixcontact.com>

Phoenix Contact USA
586 Fulling Mill Road
Middletown, PA 17057, United States
(+717) 944-1300
info@phoenixcon.com