

Order-No.	Shell Size / for No. of Contacts	B ±0.1	C ±0.3	D ±0.3	∅F min - max	H ±0.3	U ±0.4	V ±0.15	W -0.2
FKH1-09SA-5939	1 / 9	25	31.2	31.8	4.5 - 7	35	30.8	25	16.4
FKH2-15SA-5939	2 / 15	33.3	40	32	4.5 - 7	34.7	39.1	33.3	24.7
FKH3-25SA-5939	3 / 25	47.04	53.7	35	8 - 10.5	37.7	53	47.04	38.5

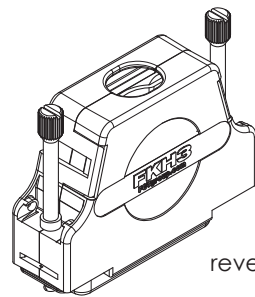
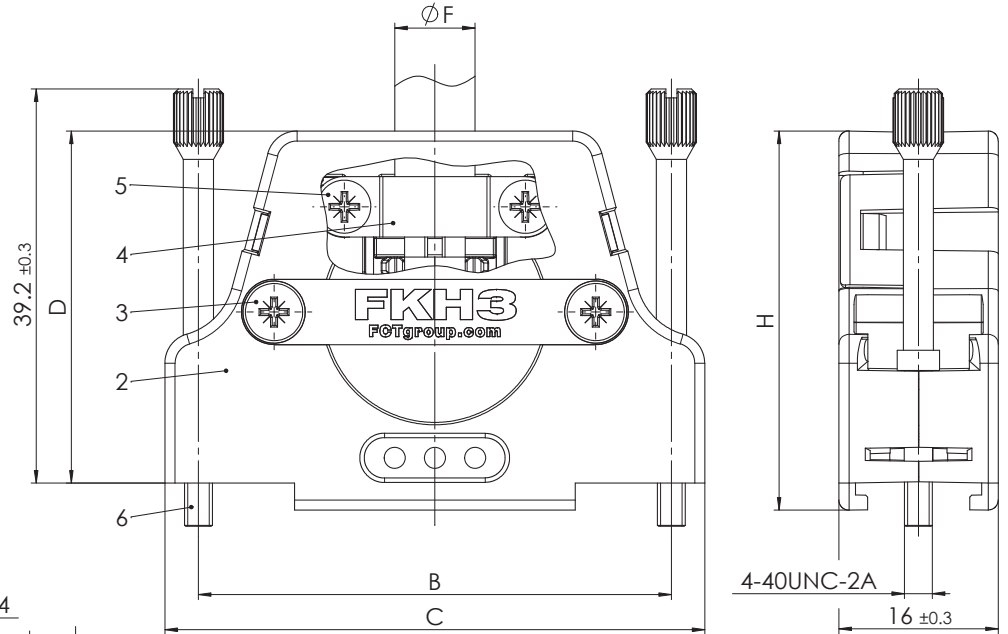
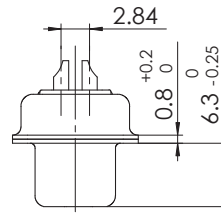
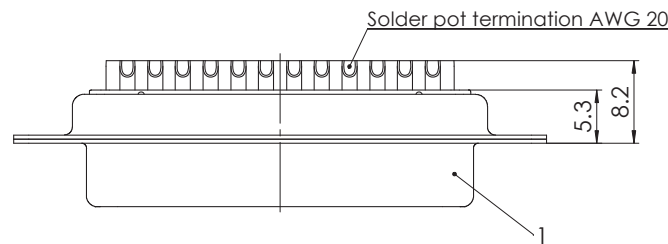
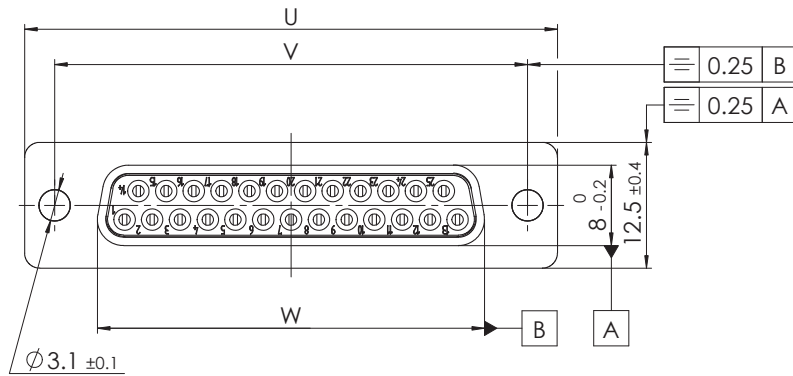
∅F = Cable diameter

FKHy-xxSA-5939

*1) *2)

e.g. FKH3-25SA-5939

*1) y for hood size 1, 2 or 3
*2) xx No. of contacts 09, 15 or 25



reverse side
1:1

RoHS compliant

max. torque are 40 Ncm
Part-No. 3 to 6 not mounted

No.	St.	Part	Type Description / Material	Surface plating / Colour / Class
6	2	Knurled thumb screw	FRS1/5 4-40 / Brass	nickel plated
5	2	Cable clamp screw	Steel	zinc plated
4	1	Cable clamp	Steel	tin plated
3	2	Shell screw	Steel	zinc plated
2	1	Hood	FKHy / PC+ABS	black
1	1	D-Sub Connector	FxxS0G1A	

		Measurement without tolerance acc. to ISO 2768-m		SCALE	TITLE
		DRAWN		2:1	Hood Connector Set
		CHECKED			
		FCT a molex company		DWG.NO.	REV.
		1 REV. DATE CH.-NO. ORIGINAL: DIN A3-DRAWING AS A FILE		FKHy-xxSA-5939	1
		REPLACEMENT FOR:		PAGES 1	

COMMENTS: DRAWINGS ARE RESERVED BY US FOR THIS DRAWING. WITHOUT OUR PRIOR CONSENT, IT MAY NEITHER BE REPRODUCED NOR MADE AVAILABLE TO A THIRD PARTY. AND IT ALSO MAY NOT BE IMPROPERLY USED BY THE RECEIVER, OR A THIRD PARTY.