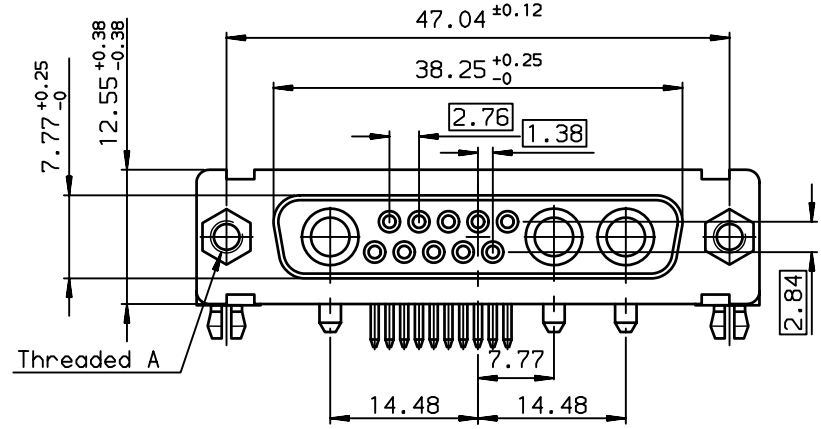
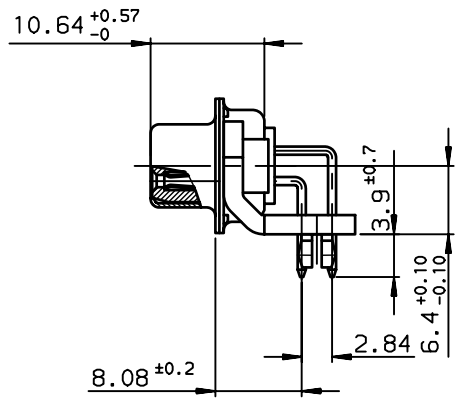


VIEW WITHOUT POWERS CONTACTS



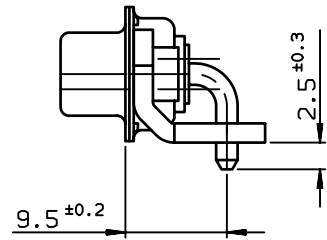
TIN LEAD PART NUMBER

DBL13W3S700G30	M3
DB013W3S700G30	UNC 4.40
PART NUMBER	Threaded A

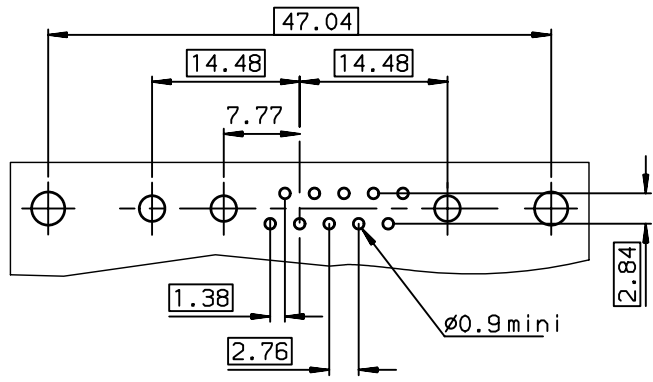
LEAD FREE PART NUMBER

DBL13W3S700G30LF	M3
DB013W3S700G30LF	UNC 4.40
PART NUMBER	Threaded A

VIEW WITH POWERS CONTACTS



LAYOUT DIMENSIONS (after plating)
CONNECTOR SIDE VIEW



GENERAL CHARACTERISTICS AND ROHS INFORMATIONS:
SEE DRAWING C01-8639-0002

European Views

www.fciconnect.com		surface ISO 1302 ✓	tolerance std ISO 406 ISO 1101	projection mm
		TOLERANCES UNLESS OTHERWISE SPECIFIED		
Dr	JARRY	2001/04/23	0.X ±0.1	size A3
Eng	PESSON	2001/04/23	0.XX ±0.1	Scale 2
Chr	LEGARE	2001/04/23	0.XX ±2*	ECN LS06-0095
Appr	LEGARE	2001/04/23	0.XXX ±0.1	Product family D-SUB
		Product family D-SUB		Spec ref -
SOCKET MARK I CONNECTOR 10 RIGHT			dwg no C01-8639-1883	
ANGLE +3 COAX WITH METAL BRACKETS			Rev. E	
catalog no			CUSTOMER sheet 1 of 1	

rev	ecn no	dr	date
C	-	DEB	2003/10/01
D	LS05-002	MPE	2005/03/09
E	LS06-0095	LGO	2006/06/29
-	-	-	-
-	-	-	-
-	-	-	-



Copyright FCI.