

SACC-M12MSK-4PECT-CL SH - Power connector



1027474

<https://www.phoenixcontact.com/us/products/1027474>

Please be informed that the data shown in this PDF document is generated from our online catalog. Please find the complete data in the user documentation. Our general terms of use for downloads are valid.



Power connector, Power, 5-position, shielded, Plug straight M12, K, Crimp connection, knurl material: Zinc die-cast, tin-plated, external cable diameter 8 mm ... 13 mm, without crimp contacts

Your advantages

- Extremely compact, thanks to the small wiring space and high contact density
- Safely shielded: reliable shield connection even under extreme mechanical strain
- Robust connection: suitable for railway applications with high shock and vibration loads
- High-performance: AC connectors for up to 16 A and 690 V AC
- Protection against mismatching, thanks to special K-coding

Commercial data

Item number	1027474
Packing unit	1 pc
Minimum order quantity	1 pc
Sales key	BF34
Product key	BF2CJB
Catalog page	Page 279 (C-2-2019)
GTIN	4055626522197
Weight per piece (including packing)	41.5 g
Weight per piece (excluding packing)	22.22 g
Customs tariff number	85366990
Country of origin	DE

SACC-M12MSK-4PECT-CL SH - Power connector



1027474

<https://www.phoenixcontact.com/us/products/1027474>

Technical data

Notes

General	NOTE: Observe the permissible bending radii when laying conductors, since the degree of protection may be put in jeopardy if the bending forces are too high. Alleviate mechanical loads upstream of the connector, e.g. by using cable ties.
---------	--

Mounting

Connection method	Crimp connection
-------------------	------------------

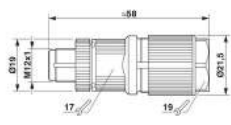
Product properties

Product type	Circular connector (cable-side)
Sensor type	Power
Number of positions	5
Application	Power supply
No. of cable outlets	1
Shielded	yes
Coding	K
Cable outlet	straight

Insulation characteristics

Overvoltage category	III
Degree of pollution	3

Dimensions

Dimensional drawing	
Length	58 mm

External dimensions

Outside diameter	8 mm ... 13 mm
------------------	----------------

Housing

Diameter housing	21.5 mm
------------------	---------

Material specifications

Flammability rating according to UL 94	V0
Material of grip body	Zinc die-cast, nickel-plated
Contact carrier material	PA
Material for screw connection	Zinc die-cast, tin-plated

Connection data

SACC-M12MSK-4PECT-CL SH - Power connector



1027474

<https://www.phoenixcontact.com/us/products/1027474>

Conductor connection

Connection method	Crimp connection
Connection cross section	1.5 mm ² ... 2.5 mm ² (flexible)
Connection cross section AWG	14 (flexible)
Tightening torque	5 Nm (Pressure nut with coupling sleeve)

Pin assignment

Contact Color (signal designation) Contact (optional)	1 = BK
	2 = BK
	3 = BK
	4 = BK
	PE = GNYE

Electrical properties

Rated surge voltage	6 kV
Insulation resistance	≥ 100 MΩ
Nominal voltage U _N	690 V AC
Nominal current I _N	16 A (when using 2.5 mm ² conductors)
	16 A (at 40 °C)

Mechanical properties

Mechanical data

Insertion/withdrawal cycles	≥ 100
-----------------------------	-------

Connector

Connection 1

Head design	Plug
Head cable outlet	straight
Head thread type	M12
Coding	K

Cable/line

Signal type/category	Power
----------------------	-------

Environmental and real-life conditions

Ambient conditions

Degree of protection	IP65
Ambient temperature (operation)	-40 °C ... 85 °C (Plug / socket)

Standards and regulations

Standard designation	M12 connector
Standards/specifications	based on IEC 61076-2-111

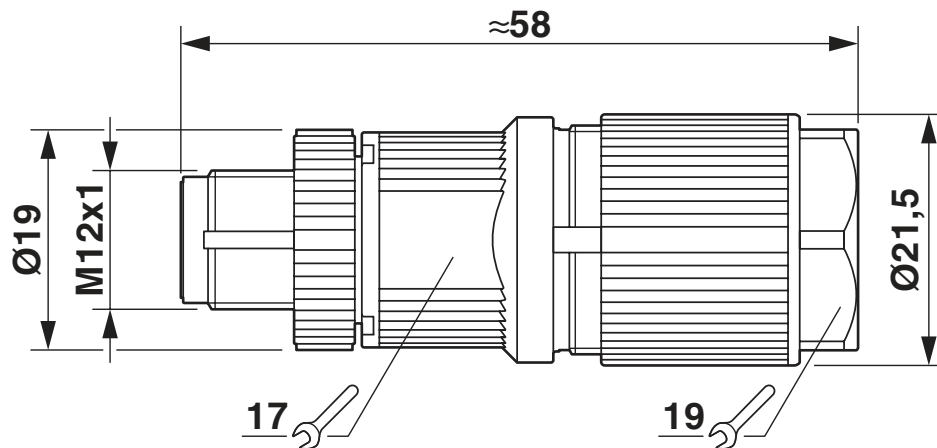
SACC-M12MSK-4PECT-CL SH - Power connector

1027474

<https://www.phoenixcontact.com/us/products/1027474>

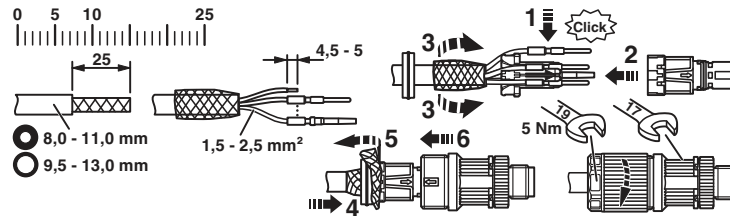
Drawings

Dimensional drawing



Plug, M12 x 1, straight, shielded

Functional drawing



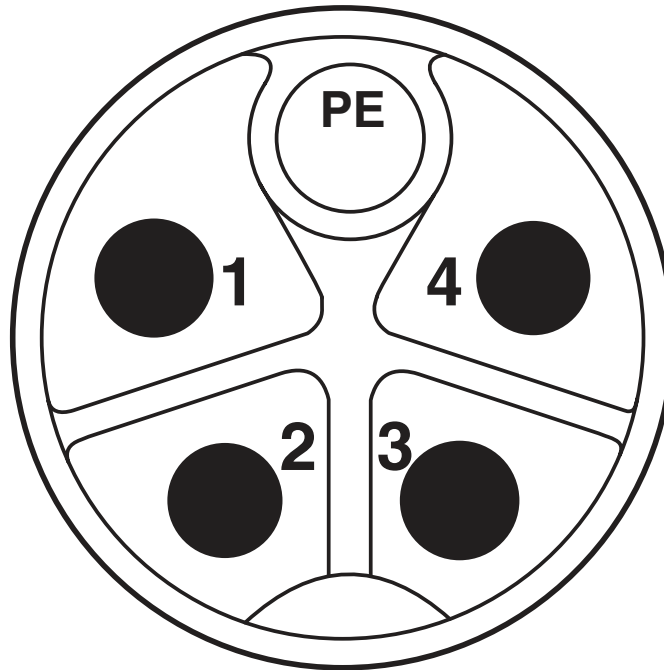
SACC-M12MSK-4PECT-CL SH - Power connector

1027474

<https://www.phoenixcontact.com/us/products/1027474>



Schematic diagram



Pin assignment of M12 male connector, 4-pos.+PE, K-coded, view of pin side

SACC-M12MSK-4PECT-CL SH - Power connector



1027474

<https://www.phoenixcontact.com/us/products/1027474>

Approvals

To download certificates, visit the product detail page: <https://www.phoenixcontact.com/us/products/1027474>



EAC

Approval ID: RU C-DE.BL08.B.00511



cULus Recognized

Approval ID: E468743

	Nominal voltage U_N	Nominal current I_N	Cross section AWG	Cross section mm^2
	600 V	13 A	- 14	-

SACC-M12MSK-4PECT-CL SH - Power connector



1027474

<https://www.phoenixcontact.com/us/products/1027474>

Classifications

ECLASS

ECLASS-11.0	27440102
ECLASS-12.0	27440116
ECLASS-13.0	27440116

ETIM

ETIM 8.0	EC002635
----------	----------

UNSPSC

UNSPSC 21.0	39121400
-------------	----------

SACC-M12MSK-4PECT-CL SH - Power connector



1027474

<https://www.phoenixcontact.com/us/products/1027474>

Environmental product compliance

China RoHS	Environmentally friendly use period: unlimited = EFUP-e
	No hazardous substances above threshold values

SACC-M12MSK-4PECT-CL SH - Power connector



1027474

<https://www.phoenixcontact.com/us/products/1027474>

Mandatory accessories

CC1,5-TS-2,10M AU - Crimp contact

1029394

<https://www.phoenixcontact.com/us/products/1029394>



Crimp contact, contact diameter: 1.5 mm, turned, Pin, contact material: CuZn, contact surface: Ni/Au, connection cross section: 1.5 mm² ... 1.5 mm², AWG 14 ... 14

CC1,5-TS-2,50M AU - Crimp contact

1029388

<https://www.phoenixcontact.com/us/products/1029388>



Crimp contact, contact diameter: 1.5 mm, turned, Pin, contact material: CuZn, contact surface: Ni/Au, connection cross section: 2.5 mm² ... 2.5 mm², AWG 14

SACC-M12MSK-4PECT-CL SH - Power connector



1027474

<https://www.phoenixcontact.com/us/products/1027474>

CC1,5-TS-2,10FPE K/L AU - Crimp contact

1029401

<https://www.phoenixcontact.com/us/products/1029401>



Crimp contact, contact diameter: 1.5 mm, turned, Socket, contact material: CuZn, contact surface: Ni/Au, connection cross section: 1.5 mm² ... 1.5 mm², AWG 14, for the PE or functional ground connection

CC1,5-TS-2,50FPE K/L AU - Crimp contact

1029393

<https://www.phoenixcontact.com/us/products/1029393>



Crimp contact, contact diameter: 1.5 mm, turned, Socket, contact material: CuZn, contact surface: Ni/Au, connection cross section: 2.5 mm² ... 2.5 mm², AWG 14, for the PE or functional ground connection

SACC-M12MSK-4PECT-CL SH - Power connector



1027474

<https://www.phoenixcontact.com/us/products/1027474>

CRIMPFOX-TC MP-6 - Crimping pliers with digital display

1202888

<https://www.phoenixcontact.com/us/products/1202888>



Crimping tool, for turned contacts, universal cross-section setting, up to a maximum of 6.0 mm², digital display with 0.01 mm increments, pressure lock can be unlocked, positioning tool necessary as an accessory for contact positioning

Accessories

CRIMPFOX-TC MP/LOC-1 - Spare locator

1142829

<https://www.phoenixcontact.com/us/products/1142829>

Locator for CRIMPFOX-TC MP6



SACC-M12MSK-4PECT-CL SH - Power connector



1027474

<https://www.phoenixcontact.com/us/products/1027474>

WIREFOX 2,5 - Stripping tool

1212368

<https://www.phoenixcontact.com/us/products/1212368>



Stripping tool, for conductors and cables with a conductor cross section from 0.08 to 2.5 mm, self-adjusting, stripping length adjustable up to 15 mm, cutting capacity up to 6 mm² stranded/1.5 mm² solid

WIREFOX-D 40 - Stripping tool

1212161

<https://www.phoenixcontact.com/us/products/1212161>



Stripping tool, for stripping cables of 4.5 mm - 40 mm-Ø, insulation thickness of up to 4.5 mm, pivoting blade for round, lengthwise, and spiral cuts

Phoenix Contact 2023 © - all rights reserved
<https://www.phoenixcontact.com>

Phoenix Contact USA
586 Fulling Mill Road
Middletown, PA 17057, United States
(+717) 944-1300
info@phoenixcon.com