

Flat suction pad (round)

SFF 10 HT1-60 M5-AG

Part no...:10.01.01.14272

<https://www.schmalz.com/10.01.01.14272>

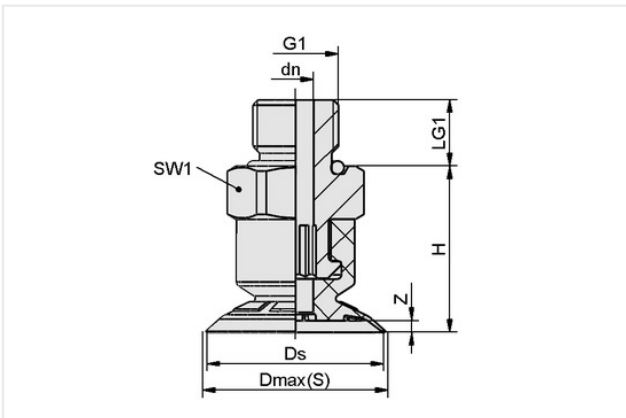
Home > Vacuum Technology for Automation > Vacuum Components > Vacuum Suction Cups > Suction Cups for the Electronics Industry > Suction Cups SFF / SFB1 > SFF 10 HT1-60 M5-AG

Flat suction cup (round) for dynamic handling of thin and flexible workpieces



Size: 10
Suction cup material: High temp material HT1
Material hardness [Shore A]: 60 Shore A
Number of folds: 0

Design Data



Attribute	Value
G1	M5-M
Dmax(S)	11 mm
Ds	10 mm
dn	1.80 mm
LG1	4.70 mm
H	15.40 mm
SW1	8 mm
Z (Stroke)	0.70 mm

Technical Data

Attribute	Value
Size	10
Suction cup material	High temp material HT1
Suction force (-600mbar)	2.70 N
Product family	SFF
Volume	0.25 cm ³
Number of folds	0
Material hardness [Shore A]	60 Shore A

Contact Schmalz

Schmalz Inc. | 5850 Oak Forest Drive, Raleigh, NC 27616, United States | +1 (919) 713-0880 | schmalz.us@schmalz.com

Flat suction pad (round)

SFF 10 HT1-60 M5-AG

Part no...:10.01.01.14272

<https://www.schmalz.com/10.01.01.14272>

Spare parts



SFF 10 HT1-60 SC030

Part no...:10.01.01.14050

Size: 10

Suction cup material: High temp material HT1

Material hardness [Shore A]: 60 Shore A

Number of folds: 0



SC 030 M5-AG

Part no...:10.01.06.02802

Connection geometry: 030

Connection: M5-M

Length L1: 15.5 mm

Fitting length: 5 mm

Nominal diameter dn: 1.8 mm