

LFR 215 SERIES LED Replacement Lamps



FEATURES AND BENEFITS

- Direct replacement for T3 1/4 BA9s based lamps.
- Wide viewing angle of 120° provides even illumination.
- High reliability with 100K hours MTBF.
- Illuminated colors available in red, yellow, blue, green, warm white and cool white.
- Wide input range (110VAC - 230VAC).

APPLICATIONS

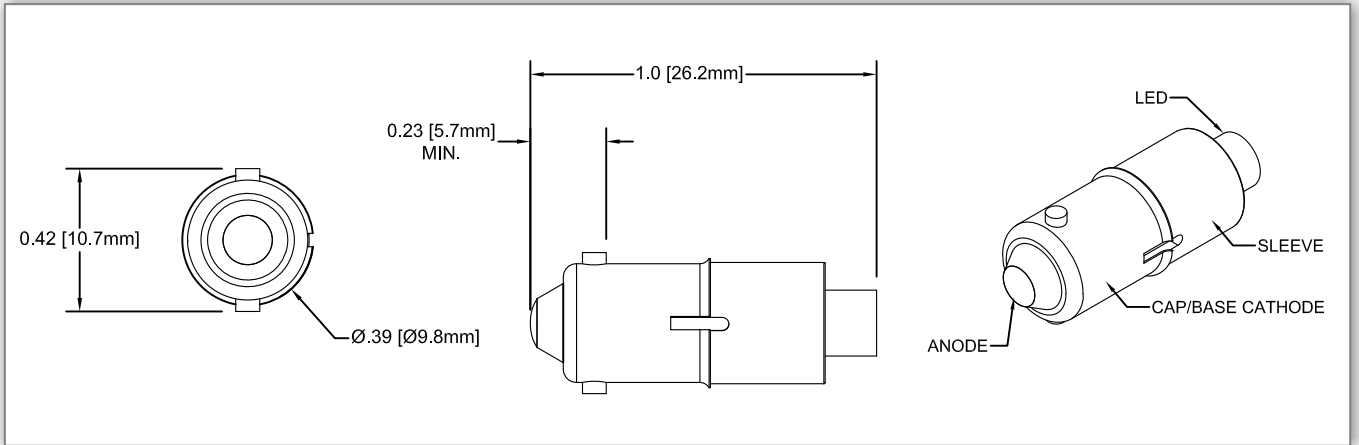
- General purpose indicators
- Push button switches
- Pilot lights
- Selector switches
- Panel indicators

Part Number	Wave Length	Emitted Color	Lens Appearance	Operating Voltage	Current AC	Iv	Viewing Angle
LFR-215R230VAC	660 nm	Red	Water Clear	230 VAC	2.0 mA	25 mcd	120°
LFR-215R125VAC	660 nm	Red	Water Clear	125 VAC	3.0 mA	25 mcd	120°
LFR-215Y230VAC	595 nm	Yellow	Water Clear	230 VAC	2.0 mA	60 mcd	120°
LFR-215Y130VAC	595 nm	Yellow	Water Clear	130 VAC	6.3 mA	60 mcd	120°
LFR-215B110VAC	470 nm	Blue	Water Clear	110 VAC	3.5 mA	150 mcd	120°
LFR-215G230VAC	525 nm	Green	Water Clear	230 VAC	2.0 mA	50 mcd	120°
LFR-215G125VAC	525 nm	Green	Water Clear	125 VAC	3.0 mA	50 mcd	120°
Part Number	Chromaticity Coordinates	Emitted Color	Lens Appearance	Operating Voltage	Current AC	Iv	Viewing Angle
LFR-215WW230VAC	X=0.4255~0.4680 Y=0.4000~0.4385	Warm White	Water Clear	230 VAC	2.0 mA	340 mcd	120°
LFR-215WW130VAC	X=0.4255~0.4680 Y=0.4000~0.4385	Warm White	Water Clear	130 VAC	3.0 mA	340 mcd	120°
LFR-215CW230VAC	X=0.3028~0.3376 Y=0.3113~0.3616	Cool White	Water Clear	230 VAC	2.0 mA	440 mcd	120°
LFR-215CW125VAC	X=0.3028~0.3376 Y=0.3113~0.3616	Cool White	Water Clear	125 VAC	3.0 mA	440 mcd	120°

ORDERING INFORMATION

Product Group	Series	Emitted Color	Operating Voltage	Example
LFR	2XX	Red, Yellow, Green, Blue, Warm White, Cool White	110VAC - 230VAC	LFR-215R230VAC

SPECIFICATIONS



DERATING CURVES

