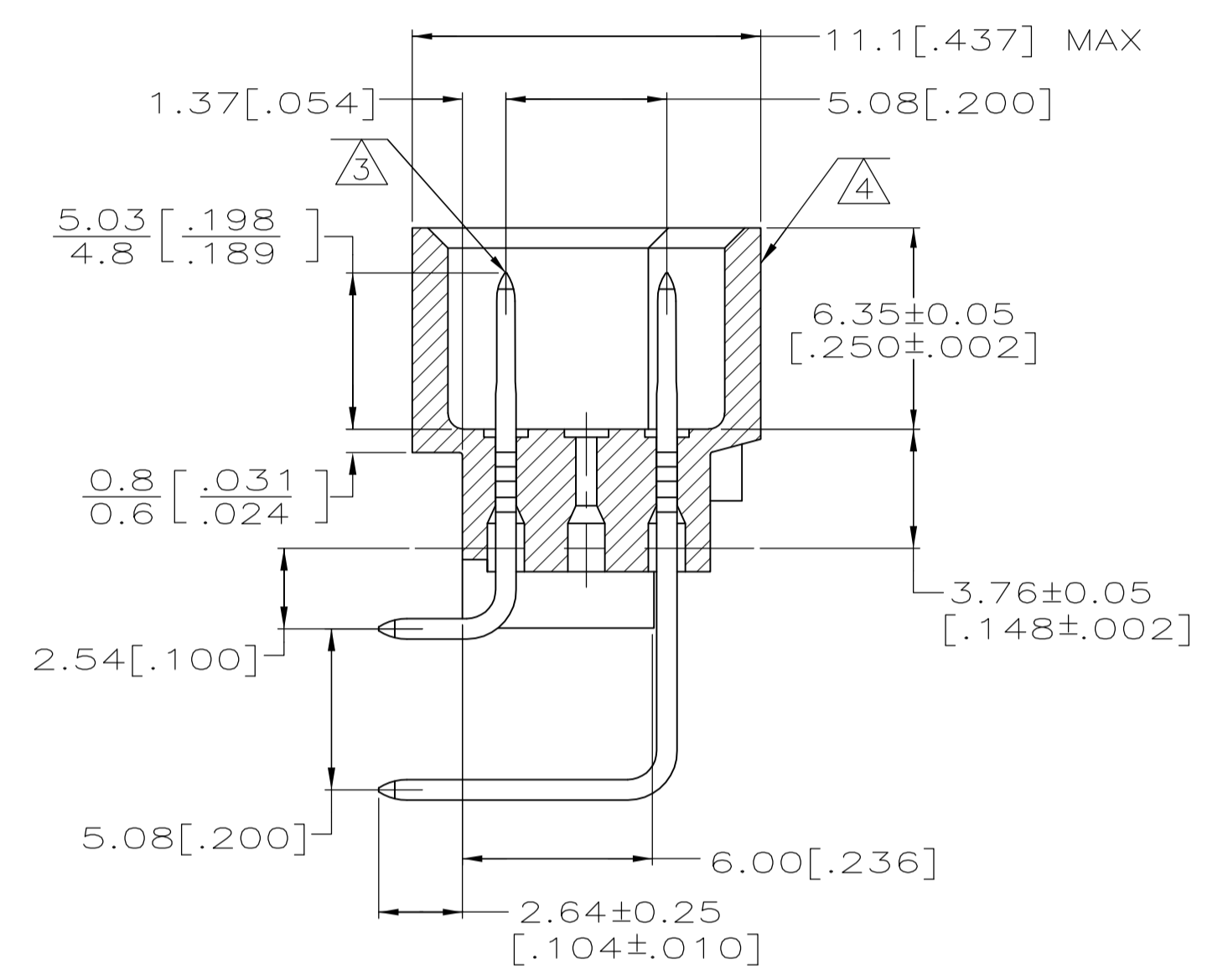
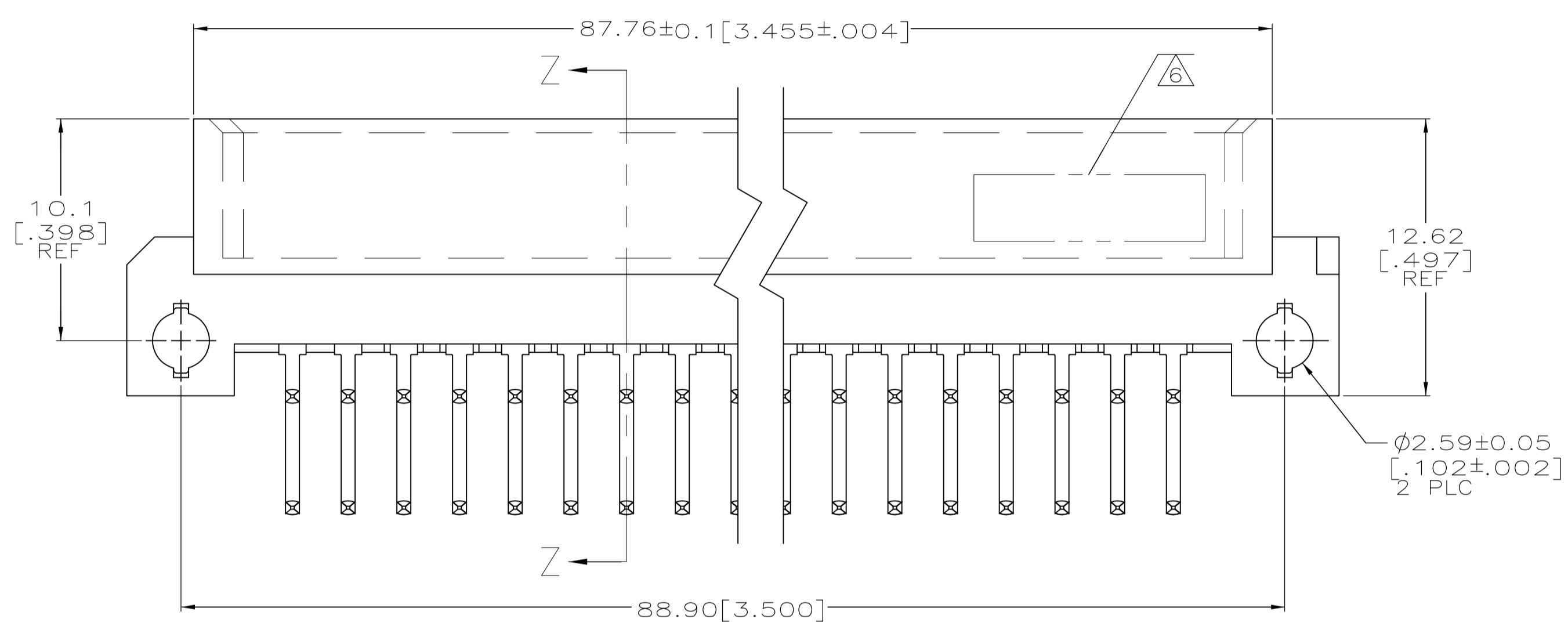
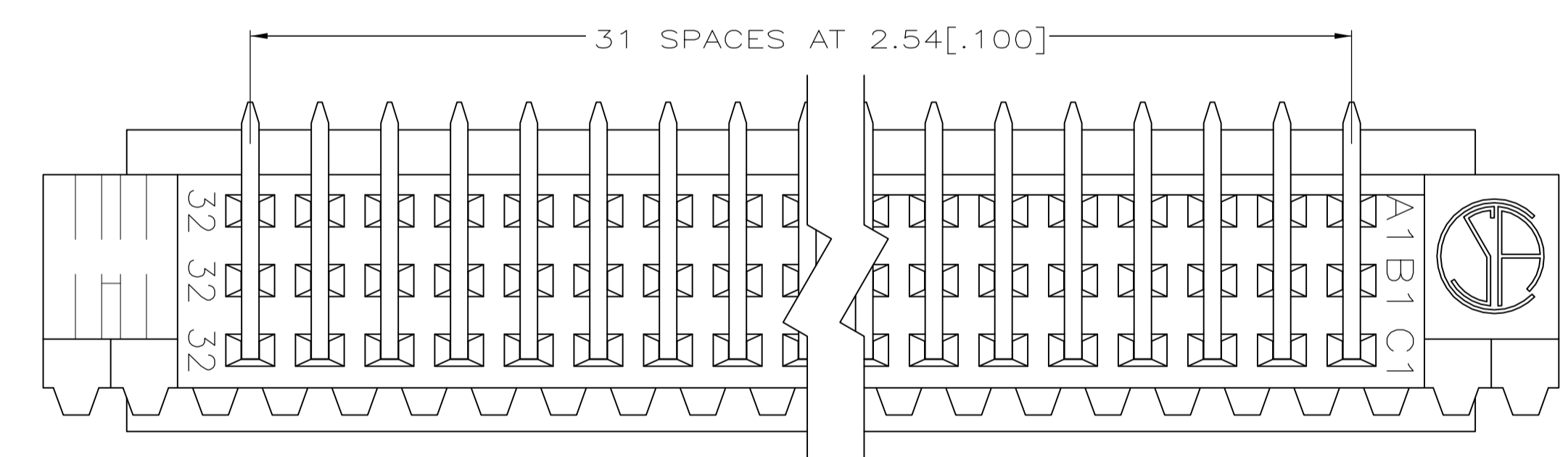


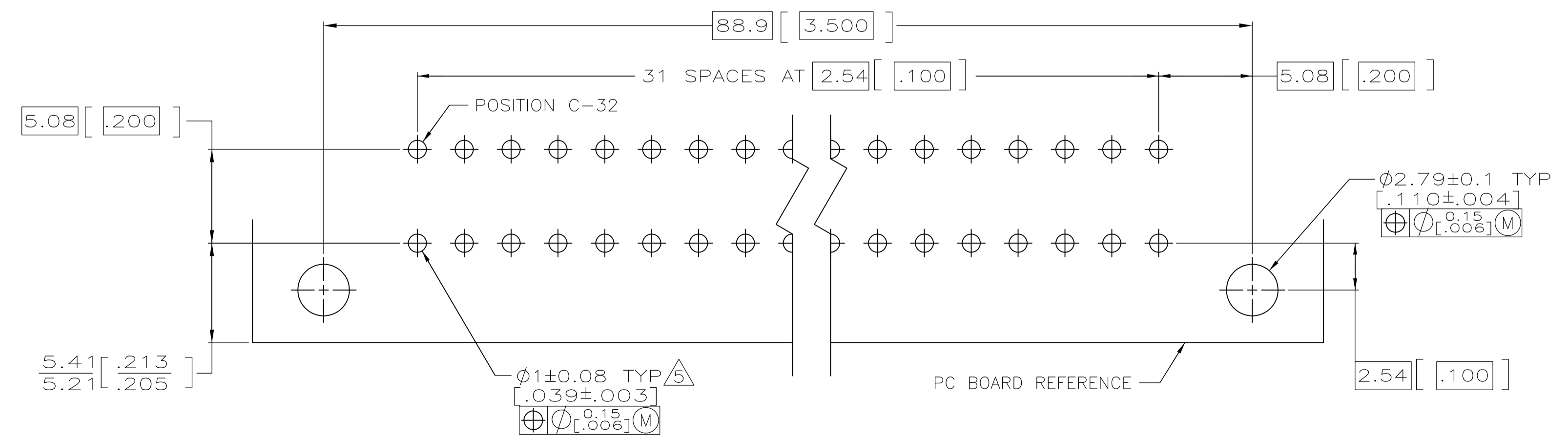
- ① HOUSING MATERIAL: GLASS-FILLED POLYMER.
- ② POST MATERIAL: COPPER ALLOY.
- ③ POST FINISH: DIN 41612 CLASS 2 IN CONTACT AREA. TIN PLATE ON POSTS.
- ④ MARKING ON THIS SIDE.
- ⑤ RECOMMENDED HOLE SIZE FOR MANUAL APPLICATION OF CONNECTOR ONTO PC BOARD.
- ⑥ AMP PART NUMBER, DATE CODE MARKED THIS APPROXIMATE AREA.



SECTION Z-Z



REFERENCE FAMILY DRAWING 650473 FOR ALL TYPE C HEADER OFFERINGS



PC BOARD LAYOUT

1-32	X	-	X	64	5650945-5
POSITIONS LOADED	C	B	A	NO. OF LOADED POSITIONS	PART NUMBER
	ROWS LOADED				

THIS DRAWING IS A CONTROLLED DOCUMENT.		DIN J. POLIGNONE DSMAY05		APVD A. SHARPE DSMAY05	
DIMENSIONS: mm [INCHES]		TOLERANCES UNLESS OTHERWISE SPECIFIED:		NAME ASSEMBLY, PIN, EUROCARD, TYPE C, A and C, 64/96 POSITION, 2.64[.104] SOLDER POST SELECT LOAD	
0 PLC ± -	1 PLC ± -	2 PLC ± 0.13[.005]	3 PLC ± -	4 PLC ± -	ANGLES ± -
MATERIAL	FINISH	WEIGHT	SIZE	CAGE CODE	DRAWING NO
①/②	③	-	A1	00779	5650945
CUSTOMER DRAWING			SCALE	SHEET	REV
			5:1	1 of 1	A