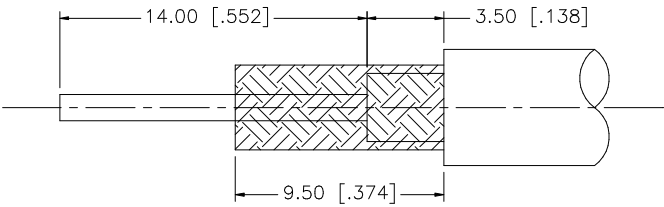
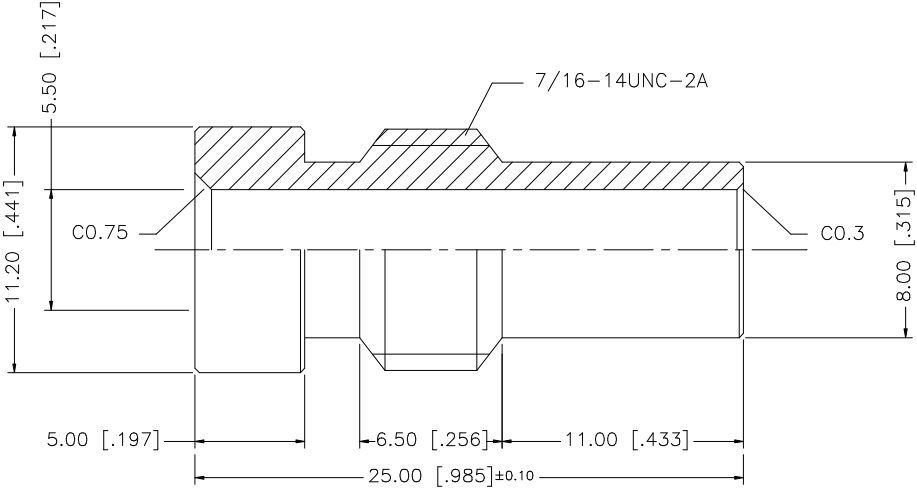


REV.	DATE	DESCRIPTION
NC	02/08/03	INITIAL RELEASE
A	05/24/07	MODIFY OVERALL BODY DIMENSIONS, MATERIAL TO ZINC



RECOMMENDED CABLE STRIPPING DIMS.



8				
7				
6				
5				
4				
3				
2				
1	REDUCER	ZINC	NICKEL	1
	DESCRIPTION	MATERIAL	FINISH	QTY

UNLESS OTHERWISE SPECIFIED DIMENSIONS ARE IN MILLIMETERS. DIMENSIONS IN [] ARE IN INCHES AND FOR CUSTOMER REFERENCE ONLY.

UNLESS OTHERWISE SPECIFIED TOLERANCES FOR MILLIMETERS ARE:
0.5 - 8mm ± 0.20mm
8 - 30mm ± 0.40mm
30 - 120mm ± 0.50mm

UNLESS OTHERWISE SPECIFIED TOLERANCES FOR INCHES ARE:
.020 - .315 = ± 0.007"
.315 - 1.180 = ± 0.015"
1.180 - 4.724 = ± 0.020"

DO NOT SCALE DRAWING

APPROVALS	DATE
DRAWN G.R.S.	05/24/07
CHECKED	
ISSUED	
SHEET 1 OF 1	
CAD FILE C:/182/182107.DWG	

Amphenol Connex			
PART DESCRIPTION REDUCER (FOR RG-58C/U, 58/U)			
PART NO. 182107			
DWG. NO.	182107.DWG	REV.	A
SIZE	A	SCALE	NA