

PART NAME: KNOB SCALE: 1:1 DATE: 4/26/44 DR. BY DWT

DAVIES MOLDING COMPANY
CAROL STREAM, ILLINOIS 60188

P/N 3002-S

THIS DRAWING IS THE PROPERTY OF DAVIES MOLDING COMPANY, IS SUBMITTED SOLELY AS A DESIGN OR ENGINEERING PROJECT.
WE ACCEPT NO RESPONSIBILITY WHATSOEVER FOR THE PRACTICAL APPLICATION OF THE PIECES MADE TO THIS DESIGN.

MOLD NO. # 3002

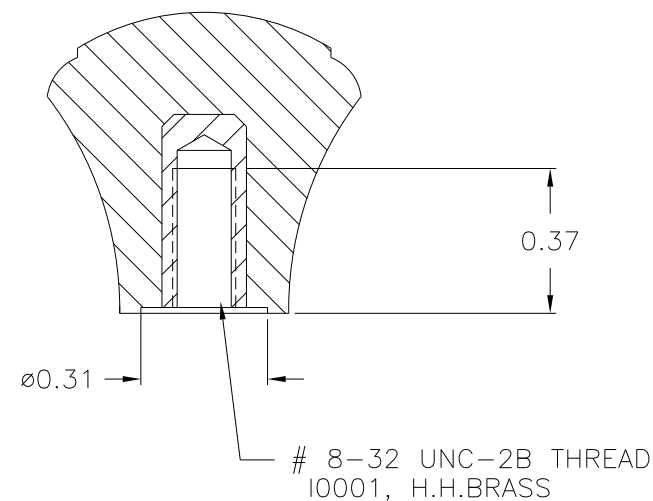
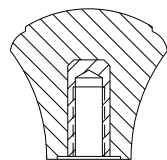
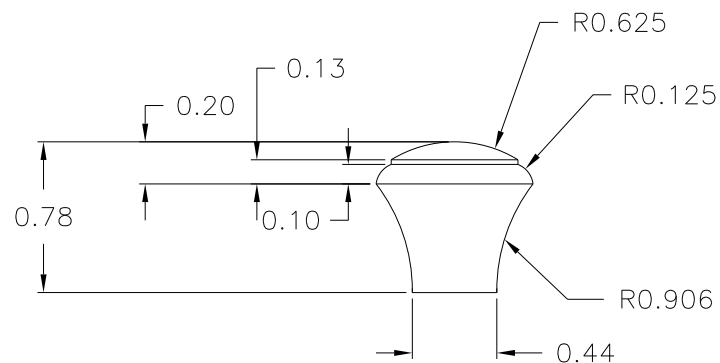
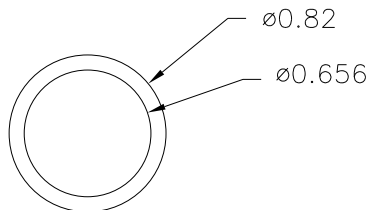
CAVITY 3002

PLUNGER 3002

SHIM 3002-1

PIN 3002-1

INSERT 10001



SCALE 2 : 1

(A)

MATERIAL: #4311 PHENOLIC (B41)
COLOR: BLACK

TOLERANCES: UNLESS OTHERWISE SPECIFIED	DO NOT SCALE DRAWING			
DECIMALS: X.XXX ± .005 X.XX ± .015	MM: X.XX ± 0.15MM X.X ± 0.4MM	A	WAS #2511	JAM 4/22/13
FRACTIONS ± 1/64	ANG. ± 1°	-	CAD/REDRAWN	HD 8/14/97
CHANGES				