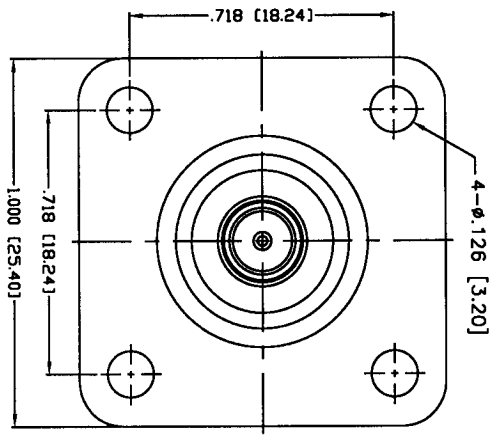
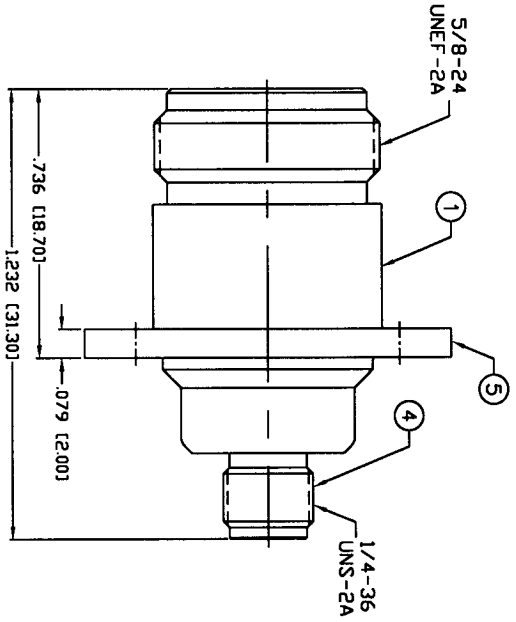


THIS DRAWING CONTAINS INFORMATION PROPRIETARY TO RF INDUSTRIES.
 ANY UNAUTHORIZED USE OF THIS DRAWING IS EXPRESSLY PROHIBITED
 WITHOUT WRITTEN PERMISSION FROM RF INDUSTRIES.
 ANY VIOLATION IS PUNISHABLE UNDER U.S. COPYRIGHT LAWS.

ALL DIMENSIONS ARE REFERENCE ONLY



SPECIFICATIONS:

IMPEDANCE: 50 Ohms
 FREQUENCY RANGE: 0-11 GHz
 WORKING VOLTAGE: 1k V rms @ sea level
 TEMPERATURE RANGE: -65°C TO 165°C
 INSULATION RESISTANCE: 5k M Ohms min.

| | | | | | |
|----|-----------|-----|--------------|---------------|--------|
| 1 | BODY | 1 | BRASS | NICKEL, 100μ" | 008974 |
| 2 | INSULATOR | 1 | PTFE | --- | |
| 3 | CONTACT | 1 | PHOS. BRONZE | GOLD, 3μ" | |
| 4 | SMA BODY | 1 | BRASS | NICKEL, 100μ" | |
| 5 | FLANGE | 1 | BRASS | NICKEL, 100μ" | |
| 6 | | | | | |
| 7 | | | | | |
| 8 | | | | | |
| 9 | | | | | |
| 10 | | | | | |
| 11 | | | | | |
| 12 | | | | | |
| 13 | | | | | |
| 14 | | | | | |
| # | DESC. | QTY | MATERIAL | FINISH | |

UNLESS OTHERWISE SPECIFIED:
 1. REMOVE ALL BURRS
 2. BREAK ALL CORNERS & EDGES .005 R. MAX.
 3. CHAMFER 1ST & LAST THREADS 45°
 4. SURFACE ROUGHNESS 63 FINISH MIL-STD-10
 5. DIAMETERS ON COMMON CENTERS TO BE CONCENTRIC WITHIN .002 TLR.
 6. ALL DIMENSIONS ARE AFTER PLATING.

DIMENSIONS ARE IN INCHES AND [MILLIMETERS]
 UNLESS OTHERWISE NOTED TOLERANCES ARE:
 DECIMALS DIAMETER .xxx±.001 [.03]
 .xxx±.003 [.08]
 .xxx±.005 [.13]

RF Connectors
 DIVISION OF RF INDUSTRIES, LTD.

7610 MIRAMAR RD
 SAN DIEGO, CA 92126
 (858) 549-6340
 (858) 549-6345 FAX

N JACK TO SMA JACK
 FOUR HOLE FLANGE, ADAPTER

SIZE: A CABLE GROUP: N/A DWG NO.: RSA-3290-10 REV: --
 SCALE: NTS CAD FILE: OUTLINE SHEET 1 OF 1

| | | | | |
|-----------------------------|---------------------|-----|----------|----------|
| PART NO. RSA-3290-10 | | DWN | DATE | APPROVED |
| REV | DESCRIPTION | GGC | 11/24/00 | JDMC |
| - | ENGINEERING RELEASE | | | |
| | | | | |
| | | | | |