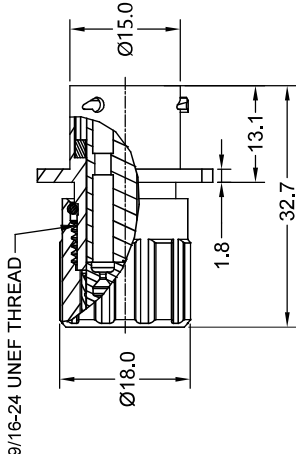
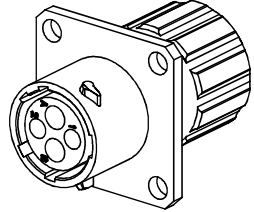
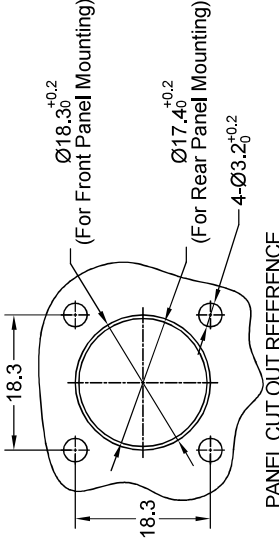
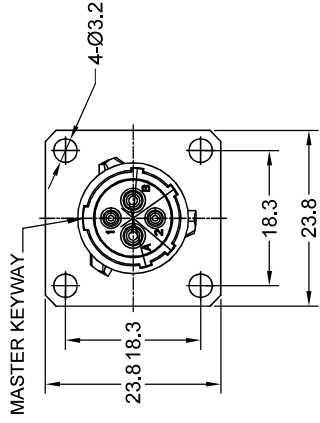
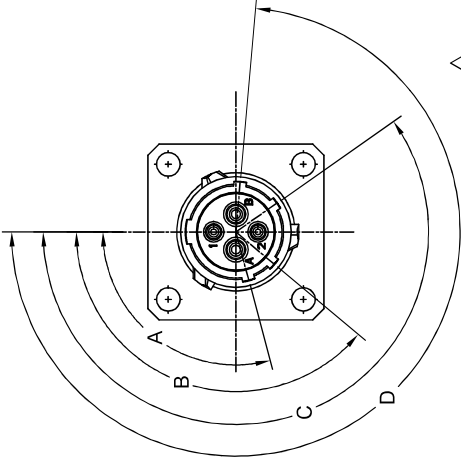


REVISIONS

REV	ECO	DESCRIPTION	DATE	BY	APPR
B1	-	RELEASED DRAWING	Nov-17-2014	Ben	Tommy
B2	-	Update voltage and add key	Jun-28-2021	Flan	Tommy



NOTES: (UNLESS OTHERWISE SPECIFIED)

- MATERIAL:
 - SHELL: ZINC ALLOY, NICKEL PLATED.
 - INSERT: THERMOPLASTIC, UL94 V-0.
 - END CAP: THERMOPLASTIC, UL94 V-0.
 - PLASTIC BUSHING: THERMOPLASTIC, UL94 V-0.
 - SEAL GASKET: NBR/SILICONE RUBBER.
 - O-RING: NBR/SILICONE RUBBER.
 - WIRE SEAL: SILICONE RUBBER.
- SPECIFICATIONS:
 - 2.1 RATED CURRENT:
 - 2.1.1 16# CONTACT 13A(MAX).
 - 2.1.2 20# CONTACT 5A(MAX).
 - 2.2 RATED VOLTAGE: 500V (AC/DC).
 - 2.3 OPERATING TEMPERATURE: SEE CHART.
 - 2.4 DIELECTRIC WITHSTANDING VOLTAGE: LESS THAN 2 MILLIAMPS CURRENT LEAKAGE@2000 VOLTS AC.
 - 2.5 INSULATION RESISTANCE: 5000 MEGOHMS MIN.
 - 2.6 IP--CLASS: IP67(MATED CONDITION).
 - 2.7 MATING CYCLES DURABILITY: 500 CYCLES MIN.
 - 2.8 RoHS COMPLIANT.
- SUITABLE CONTACTS : 16# CONTACTS.
- ALL DIMENSIONS ARE FOR REFERENCE USE ONLY.
- CONTACT SIZE AND REAR SEAL WIRE RANGE:

CONTACT SIZE	MIN. INSUL O.D.	MAX. INSUL O.D.	WIRE RANGE
16#	Ø2.0mm	Ø3.2mm	14 - 24AWG
20#	Ø1.6mm	Ø2.6mm	20- 30AWG

KEY POS	PART NUMBER		A	B	C	D
	-40°C ~ 105°C	-40°C ~ 125°C				
N	RT0010SPNHEC	RT00102SNHEC03	105°	140°	215°	265°
W	RT0010SPWHEC	RT00102SWHEC03	45°	140°	215°	265°
X	RT0010SPXHEC	RT00102SXHEC03	105°	160°	215°	265°
Y	RT0010SPYHEC	RT00102SYHEC03	105°	140°	225°	265°
Z	RT00102SZHEC	RT00102SZHEC03	105°	140°	215°	295°

QUANTITY	SEE PART NUMBER CHART	DESCRIPTION	ITEM

MATERIALS LIST

Amphenol
Sine Systems - www.amphenol-sine.com
44724 Morley Drive
Clinton Township, MI 48036

EcoMate RM RECEPTACLE, SIZE 10, 2+2 POS, SOCKET, END CAP.

UNLESS OTHERWISE SPECIFIED:
1) Dimensions in mm.
2) Tolerances are as follows:
1 Pk. DEC ±0.20
2 Pk. DEC ±0.15
3 Pk. DEC ±0.08
3) Note reference =

SIGNATURES: DRAWN: Flan, CHECKED: Flan, ENGINEER: Tommy, APPROVAL: Tommy, DATE: Jun-28-2021

CUSTOMER: EcoMate RM RECEPTACLE, SIZE 10, 2+2 POS, SOCKET, END CAP.

THIS DRAWING IS SUPPLIED FOR INFORMATION ONLY. DESIGN FEATURES SHOWN HEREON ARE THE PROPERTY OF AMPHENOL SINE SYSTEMS. ALL RIGHTS OF REPRODUCTION ARE RESERVED. DIMENSIONS ARE SUBJECT TO NORMAL MANUFACTURING VARIATIONS.

PROCESS SPECIFICATIONS: SCALE: NONE

SIZE TYPE: B C-
DWG NO: RT00102S*HEC*
REASON: B2

SHEET 1 OF 1