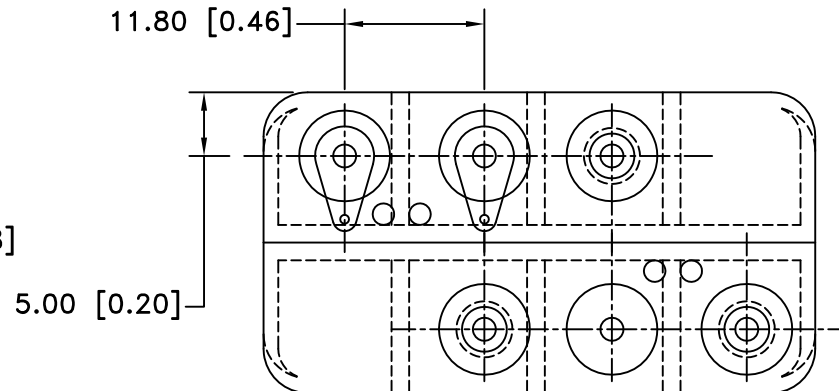
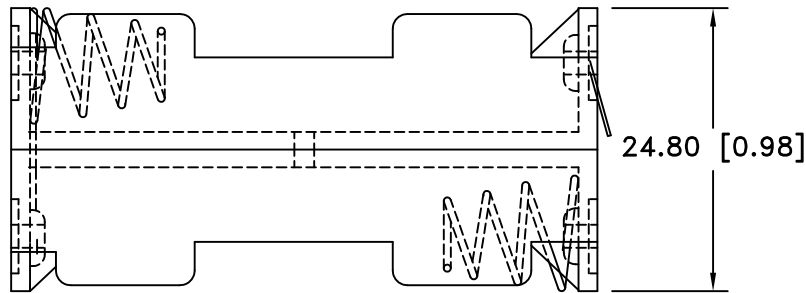


Date	SYM	REVISION RECORD	AUTH	DR.	CK.
03/29/13	A	UPDATED TO "ROHS 2 COMPLIANT"	T.B.	B.S.	
06/14/13	B	UPDATED TITLE	T.B.	B.S.	
07/17/17	C	ADDED MOUNTING INSTRUCTION	T.B.	B.S.	

Mounting Instruction:
Use 4-40 machine screws.
also adhesives and double sided tapes work well.




NOTES:

1. MATERIAL:

HOUSING : BLACK POLYPROPYLENE
 FLAMMABILITY RATING -UL94-HB, UL FILE NO. E216959
 TEMPERATURE RANGE: -10°C to +100°C
 RIVETS: BRASS, NICKEL PLATED.
 LUGS: BRASS, NICKEL PLATED
 SPRING: SPRING STEEL, NICKEL PLATED.
 CONTACT RESISTANCE: UNDER 50mΩ FOR +/- CONTACTS PER
 EIA-540J000

ROHS 2 COMPLIANT

Tolerance (Except as noted)	 Memory Protection Devices, Inc 200 Broad Hollow Road, Farmingdale, New York 11735	Scale	Drawn By B.S.
			Approved By T.B.
decimal ±.5 (.020)	Title EIGHT "AAA" CELL HOLDER WITH SOLDER LUGS	Date 07/17/17	Drawing Number BH28AAAL
Fractional ± .8 (.030)			
Angular ± 3°			