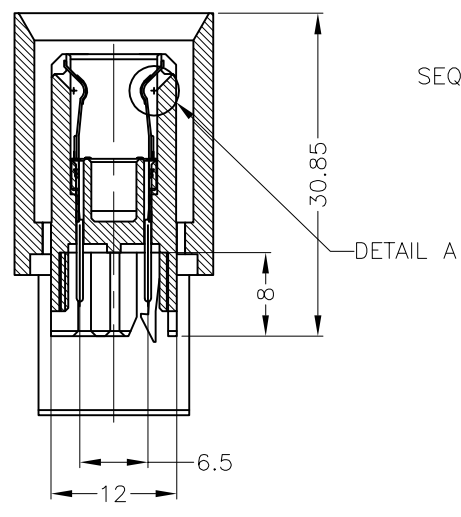
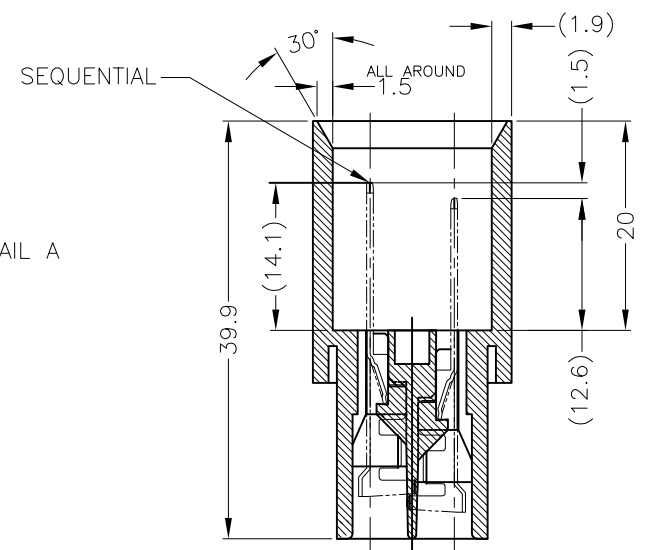


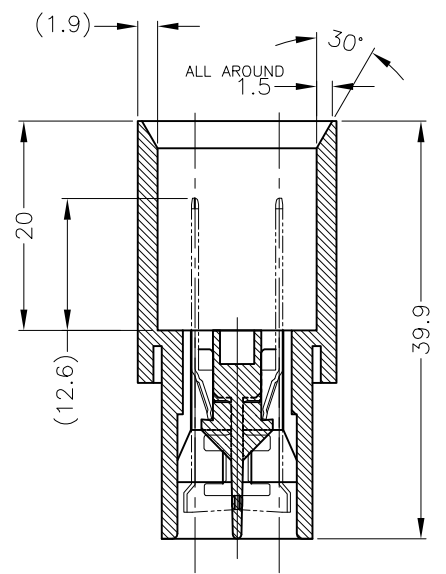
LOC		DIST		REVISIONS			
P	LTR	DESCRIPTION	DATE	DWN	APVD		
ES	00						
A		NEW RELEASE FB00-0038-04	10MAR04	S.X	T.S		
B		RELEASED BY ECR-12-002540	13MAR12	T.Q	S.Y		



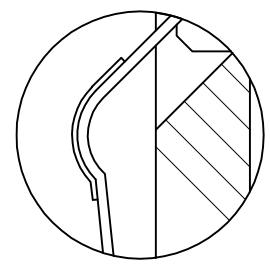
SIGNAL SECTION
SECTION B-B



POWER SECTION
SECTION C-C

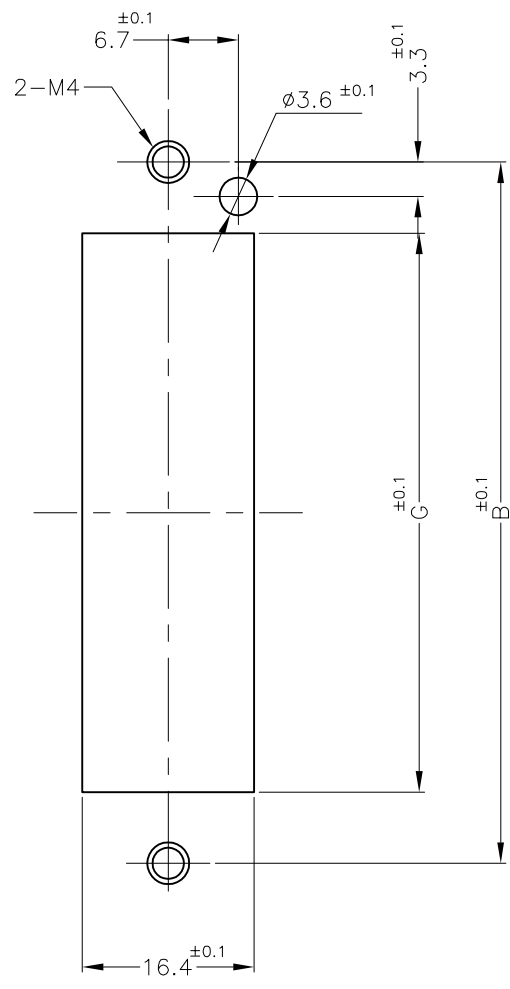


POWER SECTION
SECTION A-A

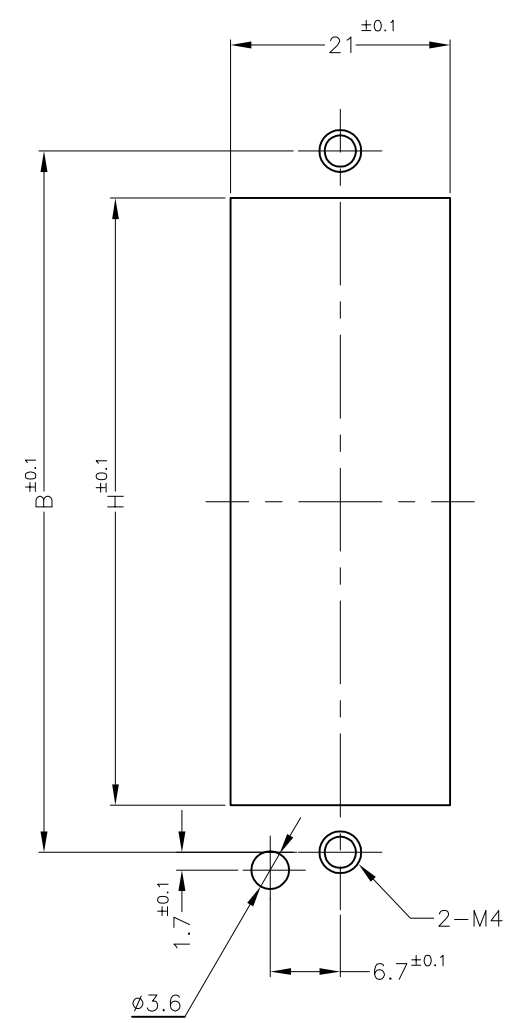


DETAIL A

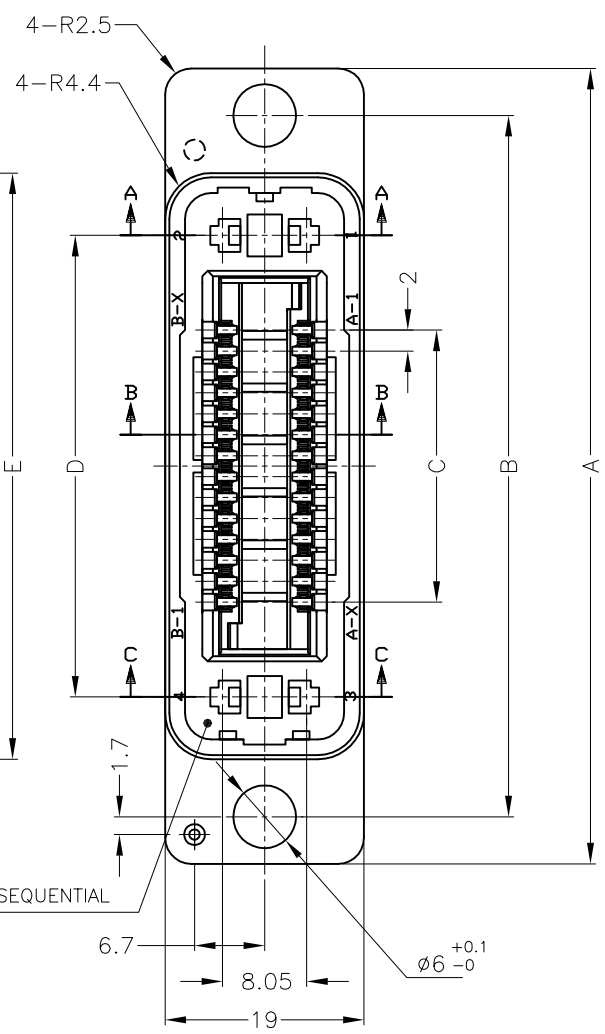
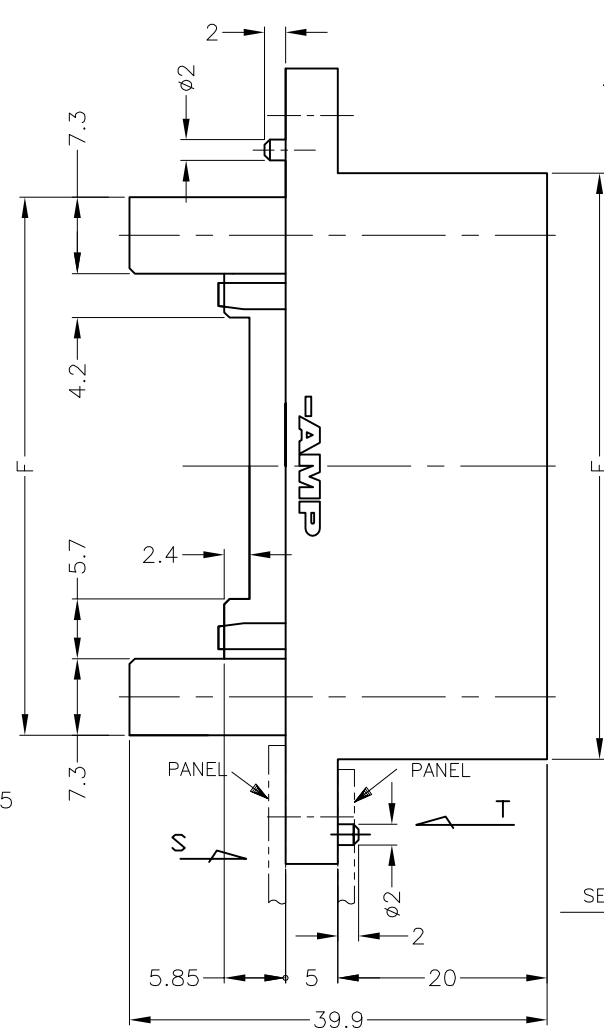
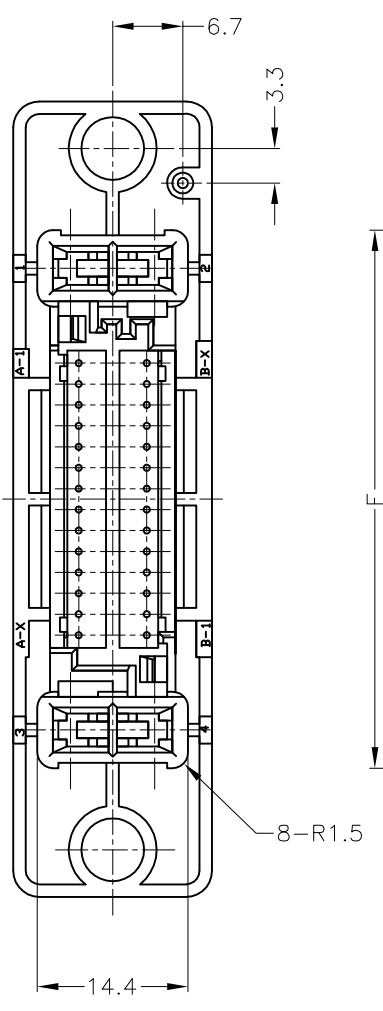
PANEL CUT DIMENSIONS



VIEW S



VIEW T



3. APPLIED POWER CONTACT P/N

FINISH	AWG	STRIP
GOLD PL.	#16~20	179321-3
TIN PL.	#20~24	179322-3
GOLD PL.	#16~20	1-179321-2
TIN PL.	#20~24	1-179322-2

△ P:NUMBER OF POWER CONTACT (UNLOADED)
 S:NUMBER OF SIGNAL CONTACT (PRELOADED)

GENERAL TOLERANCE

10 ≥	±0.2
30 ≥	>10 ; ±0.25
100 ≥	>30 ; ±0.3
ANGLE	±3°

- NOTES
- MATERIAL
HOUSING:THERMO PLASTIC
CONTACT: COPPER ALLOY
 - CONTACT FINISH
MATING SIDE:NICKEL PL.ALL OVER GOLD PL.
CT MATING SIDE:NICKEL PL.ALL OVER TIN PL.

2-175133-0	1-173977-0	2-179323-0	50	45.4	43.4	48	36.1	18	59	68	4-20	2-292328-0
APPLIED CT HOLDER P/N	APPLIED CT CONN P/N	MATING COUNTER P/N	H	G	F	E	D	C	B	A	POS (P-S)	P/N

THIS DRAWING IS A CONTROLLED DOCUMENT.

DWN SUNNY.XU	03MAR2004		Tyco Electronics Corporation Shanghai, P.R.China, 200233	
CHK S.YAO	03MAR04		NAME	
APVD T.SASAKI	03MAR04	PRODUCT SPEC		HYBRID MINI DRAWER CONN. PLUG ASSY SEQUENTIAL TYPE
APPLICATION SPEC		108-60022		SIZE
WEIGHT		114-5182		CAGE CODE
MATERIAL		SEE NOTE		DRAWING NO
FINISH		SEE NOTE		RESTRICTED TO
MATERIAL		SEE NOTE		SCALE
FINISH		SEE NOTE		SHEET
MATERIAL		SEE NOTE		OF
FINISH		SEE NOTE		REV
MATERIAL		SEE NOTE		B
FINISH		SEE NOTE		

CUSTOMER DRAWING