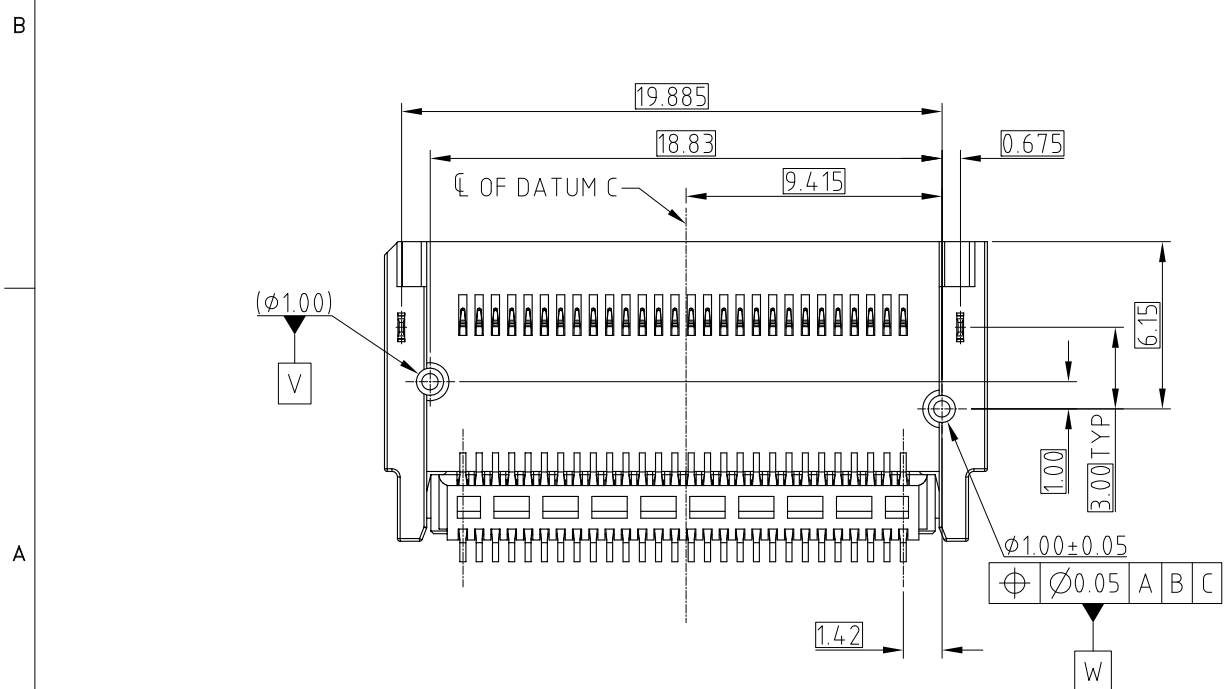
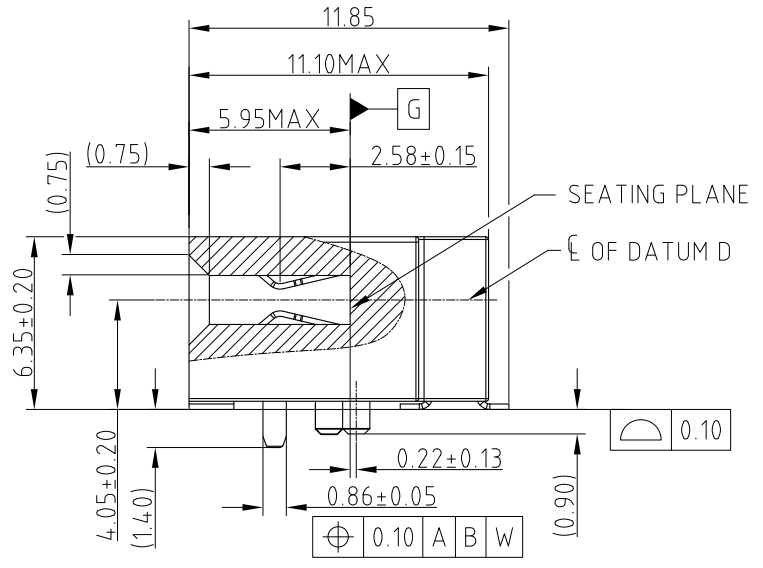
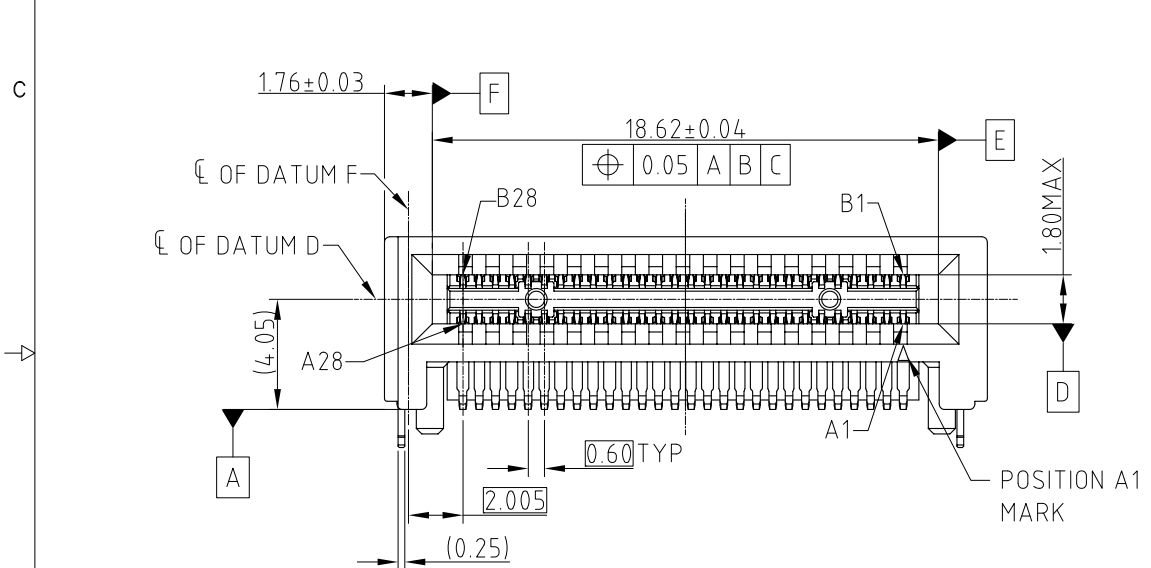
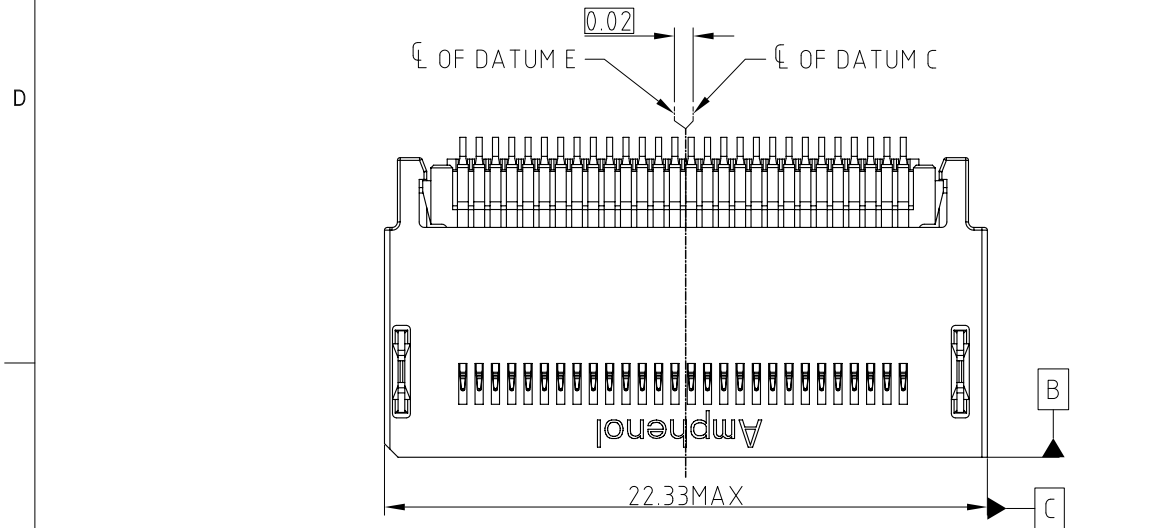


This document is the property of Amphenol Corporation and is delivered on the express condition that it is not to be disclosed, reproduced or used, in whole or in part, for manufacture or sale by anyone other than Amphenol Corporation without its prior consent, & that no right is granted to disclose or to use any information in this document.

CUSTOMER DRAWING

REVISIONS

| SYM | ECN | DESCRIPTION | DATE | APPROVED |
|-----|--------|--|-------------|----------|
| 1 | CDXXXX | PRELIMINARY PROPOSAL(FOLLOW SFF TA1002 V1.1) | Feb.05,2018 | YH |
| 2 | CDXXXX | ADD AIC MATING CARD SPECIFICATION | May.28,2018 | YH |
| 3 | CDXXXX | REVISE THE BOARD LOCK LENGTH | Jul.04,2018 | YH |
| 4 | CDXXXX | REVISE THE PCB | Aug.16,2018 | YH |
| 5 | CDXXXX | ADD DIMENSION ON PCB LAYOUT | Aug.21,2018 | YH |
| 6 | CDXXXX | UPDATED BY SFF TA 1002 REV 1.1.2 | Oct.12,2018 | YH |
| 7 | CD1489 | UPDATED BY SFF TA 1002 REV 1.1.3 | Nov.08,2018 | YH |
| 8 | CD1763 | ADD PACKING | Jul.14,2019 | YH |



- NOTE:
- MATERIAL:
HOUSING: HIGH TEMPERATURE THERMOPLASTIC BLACK UL94-V0
CONTACT: COPPER ALLOY
BOARD LOCK: COPPER ALLOY
 - PLATING:
CONTACT: MATING AREA: Au THICKNESS PLEASE REFER TO PN SYSTEM, 1.27-2.54 μm NICKEL UNDERPLATED
SOLDER AREA: 1.27 μm MIN TIN OVER 1.27-2.54 μm NICKEL UNDERPLATED
BOARD LOCK: 1.27 MIN TIN OVER 1.27-2.54UM NICKEL UNDERPLATED
 - ELECTRICAL PERFORMANCE:
RATED CURRENT: 1.1A/PIN UP TO 12PINS
LLCR:30mΩ MAX, DELTA 15 mΩ.
INSULATION RESISTANCE: 1000MΩ MIN
 - DURABILITY:200 CYCLES.
 - MATERIAL SHOULD BE FULFILLED AMPHENOL SPEC# S-SN-002 AND S-SN-004
 - ORDERING PN SYSTEM : ME100561020103X

- PLATING SPEC
- 0.76um Au
 - 0.38um Au
 - GOLD FLASH
 - PdNi0.76um+GF

| UNLESS OTHERWISE SPECIFIED TOLERANCES | |
|---------------------------------------|--------|
| U.S. | METRIC |
| .X +/- | 0.25 |
| .XX +/- | 0.20 |
| .XXX +/- | 0.15 |
| FRACTIONS +/- | 5° |
| ANGLES +/- | |

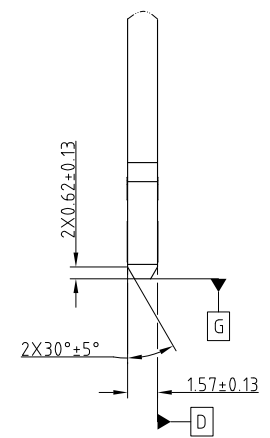
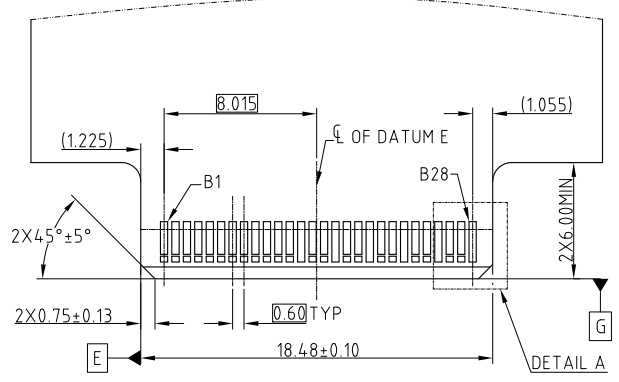
| APPROVAL | | DATE |
|---------------------------------------|----------|-------------|
| DRAWN | Teng.Cao | Jul.14,2019 |
| CHECKED | Ly.Yi | Jul.14,2019 |
| APPROVED | | |
| DRAWING FILE : | | |
| INTERNAL\DRAWING\ME\C ME100561020103X | | |
| ANGLE OF PROJECTION | | |
| | | |

| | | |
|--------------------------|-------------------|--------------|
| Amphenol | | |
| TITLE | | |
| MINI COOL EDGE CONNECTOR | | |
| 56P R/A 0.6MM PITCH 4.05 | | |
| SIZE | DRAWING NO. | REV. |
| A3 | C ME100561020103X | 8 |
| SCALE | NONE | SHEET 1 OF 3 |

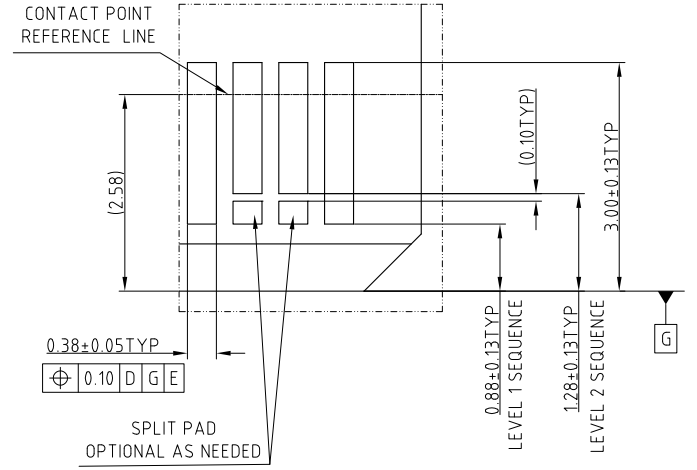
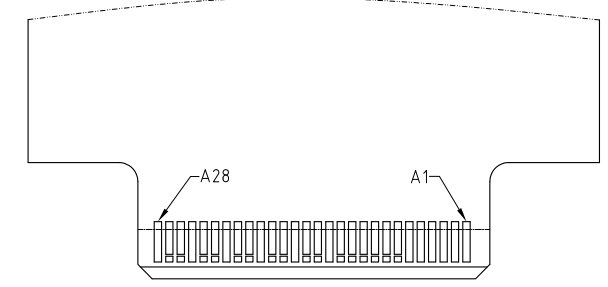
This document is the property of Amphenol Corporation and is delivered on the express condition that it is not to be disclosed, reproduced or used, in whole or in part, for manufacture or sale by anyone other than Amphenol Corporation without its prior consent, & that no right is granted to disclose or to use any information in this document.

CUSTOMER DRAWING

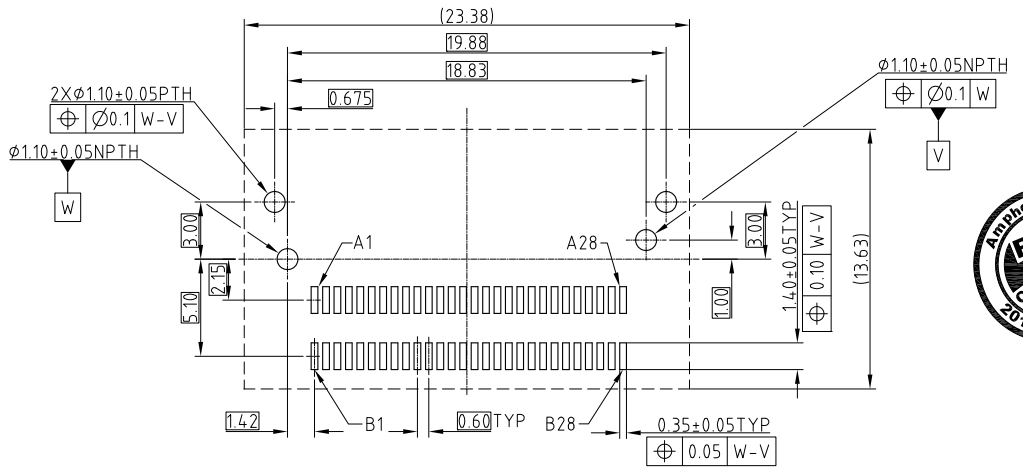
| REVISIONS | | | | |
|-----------|-----|-------------|------|----------|
| SYM | ECN | DESCRIPTION | DATE | APPROVED |
| | | SEE SHEET 1 | | |



RECOMMENDED AIC MATING CARD



DETAIL A SCALE 4:1



RECOMMENDED FOOTPRINT



| | | | | |
|---|----------------|-------------|---|--------------|
| UNLESS OTHERWISE SPECIFIED TOLERANCES U.S. METRIC X +/- 0.25 .XX +/- 0.20 .XXX +/- 0.15 FRACTIONS +/- ANGLES +/- 5° FOR MATERIALS AND FINISHES SEE NOTES REMOVE SHARP EDGES DIMENSIONS U.S. INCHES (METRIC) (mm) | APPROVAL | DATE | Amphenol TITLE MINI COOL EDGE CONNECTOR 56P R/A 0.6MM PITCH 4.05 SIZE DRAWING NO. A3 C ME100561020103X REV. 8 | |
| | DRAWN Teng.Cao | Jul.14,2019 | | |
| | CHECKED Ly.Yi | Jul.14,2019 | | |
| | APPROVED | | | |
| | DRAWING FILE : | | SCALE | SHEET 2 OF 3 |

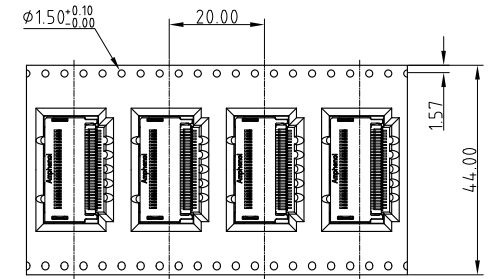
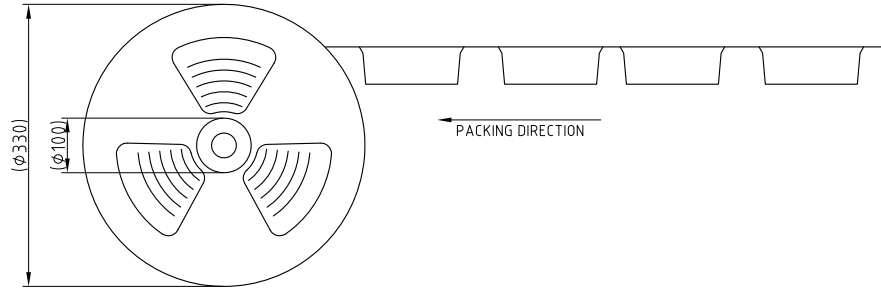
D
C
B
A

D
C
B
A

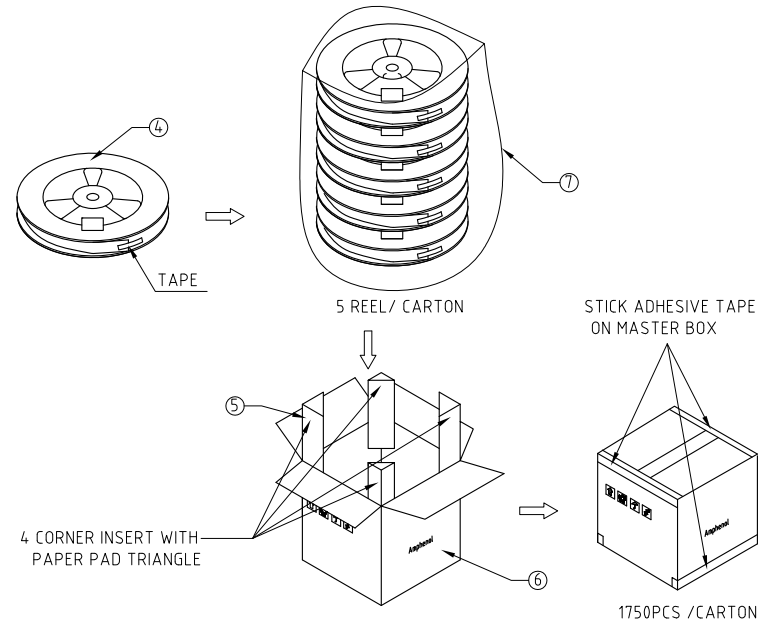
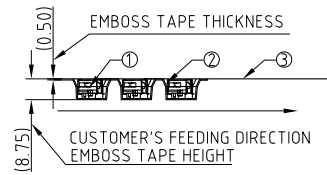
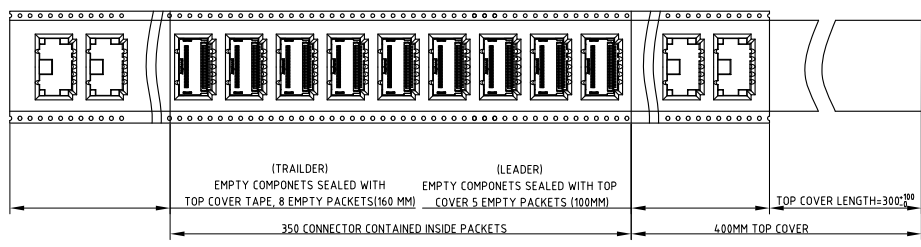
This document is the property of Amphenol Corporation and is delivered on the express condition that it is not to be disclosed, reproduced or used, in whole or in part, for manufacture or sale by anyone other than Amphenol Corporation without its prior consent, & that no right is granted to disclose or to use any information in this document.

CUSTOMER DRAWING

| REVISIONS | | | | |
|-------------|-----|-------------|------|----------|
| SYM | ECN | DESCRIPTION | DATE | APPROVED |
| SEE SHEET 1 | | | | |



CUSTOMER'S FEEDING DIRECTION



THIS PAGE FOR REFERENCE ONLY

| 7 | PLASTIC BAG | |
|------|--------------------|-----------------------|
| 6 | PAPER PAD TRIANGLE | CORRUGATED FIBERBOARD |
| 5 | MASTER BOX | CORRUGATED FIBERBOARD |
| 4 | PP REEL | PP |
| 3 | TOP COVER TAPE | PET |
| 2 | EMBOSS TAPE | POLYSTYRENE |
| 1 | Connector | |
| ITEM | DESCRIPTION | MATERIAL |



| | | | | | | |
|---------------------------------------|--------|--|----------|--------------------------|-------------------|-------------|
| UNLESS OTHERWISE SPECIFIED TOLERANCES | | APPROVAL | DATE | Amphenol | | |
| | U.S. | DRAWN | Teng.Cao | | | Jul.14,2019 |
| | METRIC | CHECKED | Ly.Yi | | | Jul.14,2019 |
| X | +/- | | APPROVED | | | |
| .XX | +/- | | | | | |
| .XXX | +/- | | | | | |
| FRACTIONS | +/- | | | | | |
| ANGLES | +/- | | | | | |
| | | | | | | |
| FOR MATERIALS AND FINISHES SEE NOTES | | DRAWING FILE : | | TITLE | | |
| REMOVE SHARP EDGES | | INTERNAL_DRAWING\MEX\C ME100561020103X | | MINI COOL EDGE CONNECTOR | | |
| DIMENSIONS | | ANGLE OF PROJECTION | | 56P R/A 0.6MM PITCH 4.05 | | |
| —U.S.— | INCHES | [Symbol] | | SIZE | DRAWING NO. | |
| (METRIC) | (mm) | [Symbol] | | A3 | C ME100561020103X | |
| | | SCALE | NONE | SHEET | 3 OF 3 | |
| | | | | REV. | 8 | |