



**ANATECH ELECTRONICS INC**  
RF & Microwave Filters & Products

[www.anatechelectronics.com](http://www.anatechelectronics.com)

## 0.6-1.40 MHz Bandpass Filter

Part Number: AE1B6815

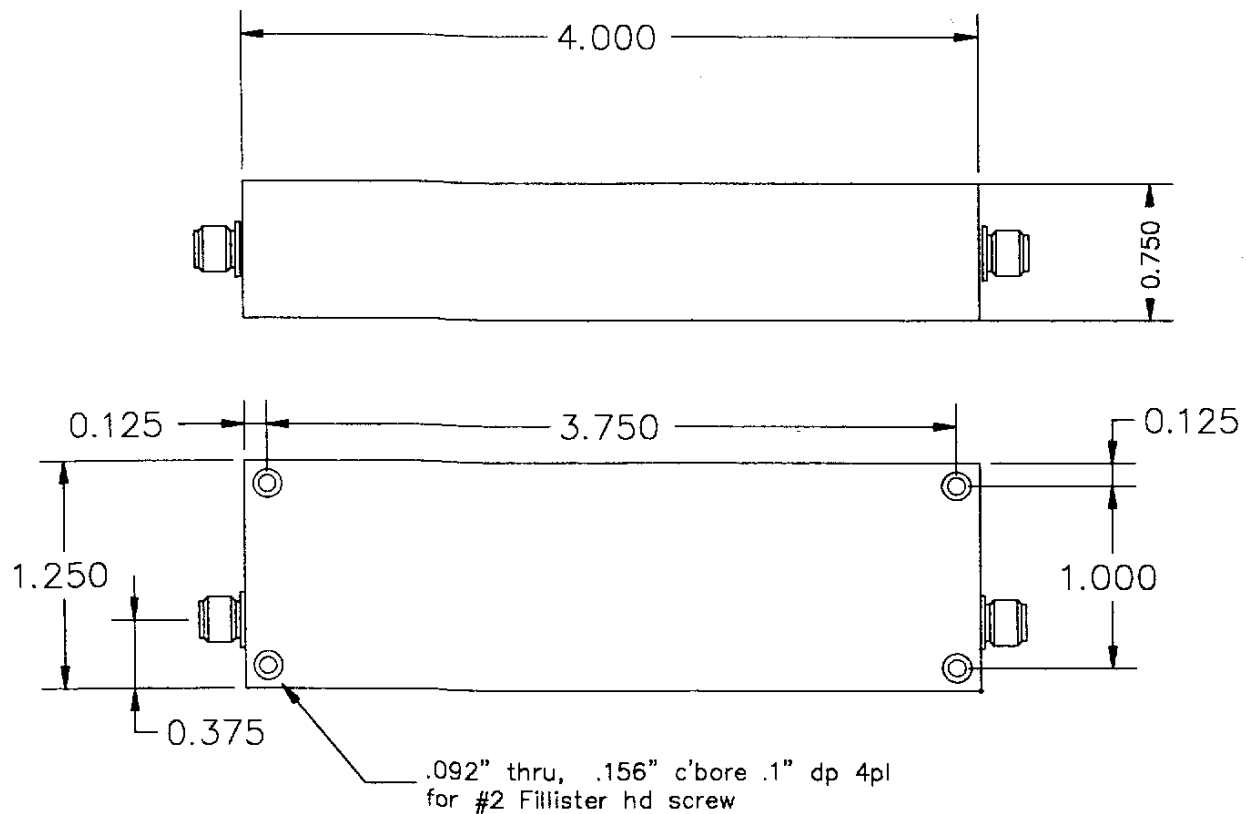
### Electrical specifications

Passband Range: 0.6-1.40 MHz  
Passband Insertion Loss: <1.0 dB  
Rejection:  
>50dB @ 0-0.3MHz  
>15dB @ 0.5MHz  
>10dB @ 1.5MHz  
>40dB @ 2MHz  
>60dB @ 3.0MHz -1GHz  
Passband Return Loss: >14 dB  
Input/Output Impedance: 50 Ohm  
RF Power Capability CW: 1 Watt  
Connector Type: SMA (F)

### Environmental, mechanical specifications

Dimensions: 4 x 1.25 x 0.75 in.

### Outline Drawing:





**Response Plot:**

