

90166-AS

BIFURCATED POST SPRING LOADED CONTACT

Visit us at WWW.PRECI-DIP.COM



preci-dip



Engineered for Success

Assembly: Bifurcated Post

Overall Length:
7mm (.275")

Stroke: 1.1mm (.043")

**ORDER AS:
90166-AS**

APPLICATION NOTES:

PRODUCT DESCRIPTION:

Preci-Dip Spring Loaded contact with bifurcated posts for wire attachment. Every Preci-Dip spring contact is Swiss precision machined and assembled for highest quality, performance and long product life.

PRODUCT PACKAGING:

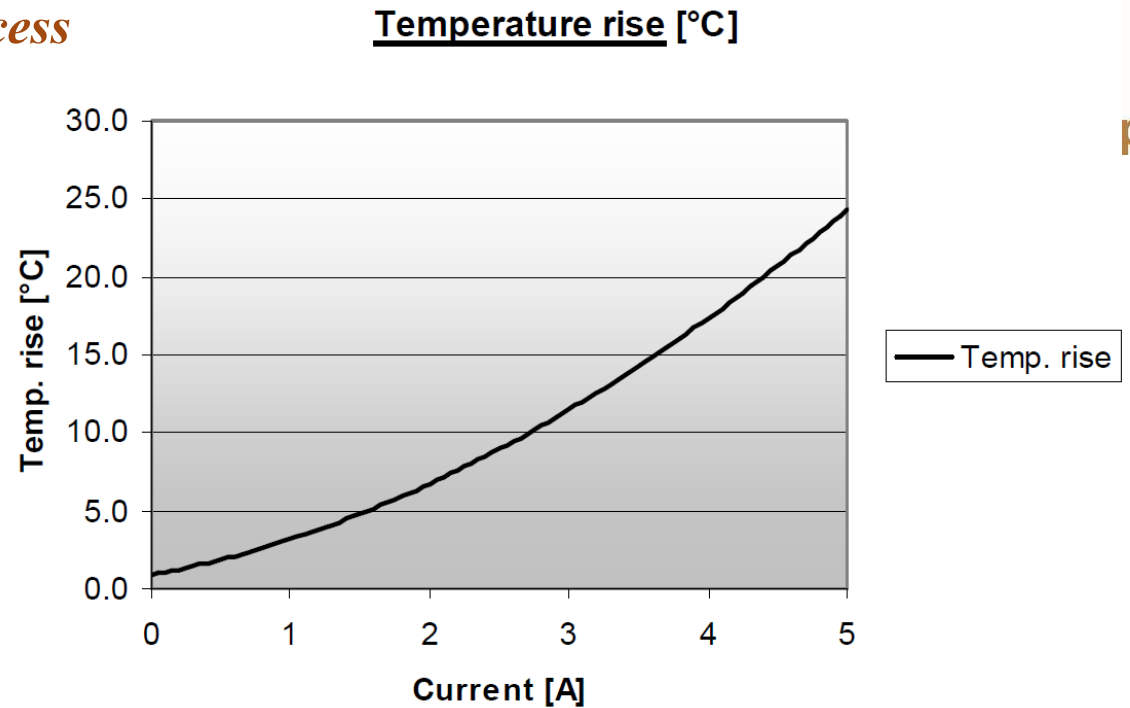
This product is sold in bulk. It can be assembled into a custom insulator. Let us help you with your custom packaging request.

HOW TO USE THIS PRODUCT:

This product is ideal for attaching wire. With solid one-piece body construction, These spring loaded contacts are typically used in docking stations, recharging stations, module stacking and pluggable SLC requirements.

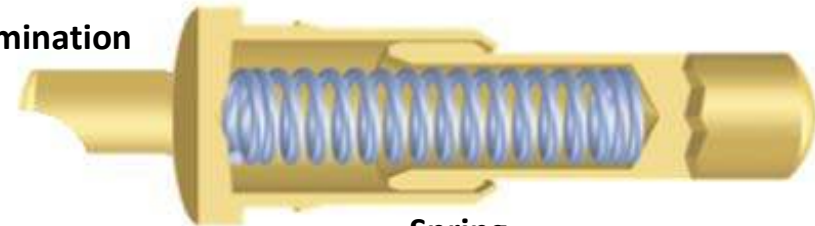
CAN I CUSTOMIZE THIS PRODUCT?

Preci-Dip welcomes custom design requests. Please provide us your spring force and packaging requirements. Call today to discuss your application.



Current: 3A continuous @ 10 ° C rise

Wire termination



Piston

Spring

HOW IT WORKS:

Strong, secure and featuring one piece solid body construction, there are no capped components at the bottom of this spring contact. No seams for solder to wick inside the shell.



90166-AS

BIFURCATED POST SPRING LOADED CONTACT

Visit us at WWW.PRECI-DIP.COM



preci-dip

Engineered for Success

SPECIFICATIONS:

MATERIAL:

Piston: Brass Alloy, plated 0.25um (10μ") Gold

Barrel: Brass Alloy, plated 0.25um (10μ") Gold

Spring: Music wire, Gold Flash

ELECTRICAL:

Current: 3A continuous @ @ 10 ° C rise. 5A Peak.

Rated Voltage: 100Vrms 150Vdc

Contact Resistance: 20mΩ max..

ENVIRONMENTAL

Operating Temperature: -55 to 125° C

Passed Vibration Test Sinusoidal per IEC 512.6d / IEC 68-2-6

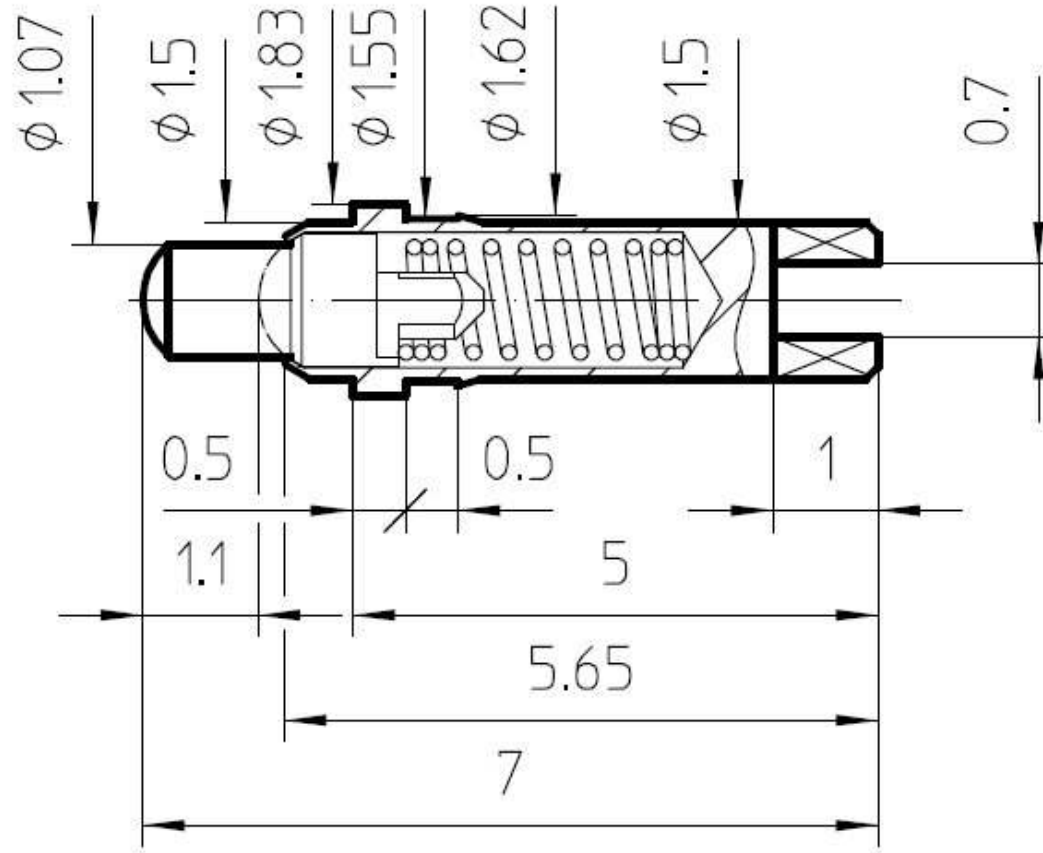
Passed Shock Test per IEC 512.6d / IEC 68-2-27

No electrical discontinuity greater than 1μs.

SPRING CONTACT FEATURES:

- * Swiss Experience
- * Swiss Quality
- * Swiss precision machined components
- * Seamless shell construction
- * Press-fit barb on barrel for packaging
- * Gold plating for corrosion resistance.
- * Smooth piston travel
- * High quality, smooth surface finish on tip of piston.
- * Strong and durable construction
- * RoHs

This product can be assembled in a custom insulator. Please inquire if interested.



MECHANICAL

Durability: Minimum 40,000 cycles.

Stroke: 1.1mm (.043")

Force: Initial .5N

Half-Stroke 1.1N

HOW TO CUSTOMIZE A SPRING CONTACT:

Specify:

1. Stacking distance between boards
2. Desired piston stroke
3. Desired spring force
4. Desired current rating.
5. Termination style SMT, Solder tail, Wire
6. Desired Cycle life

