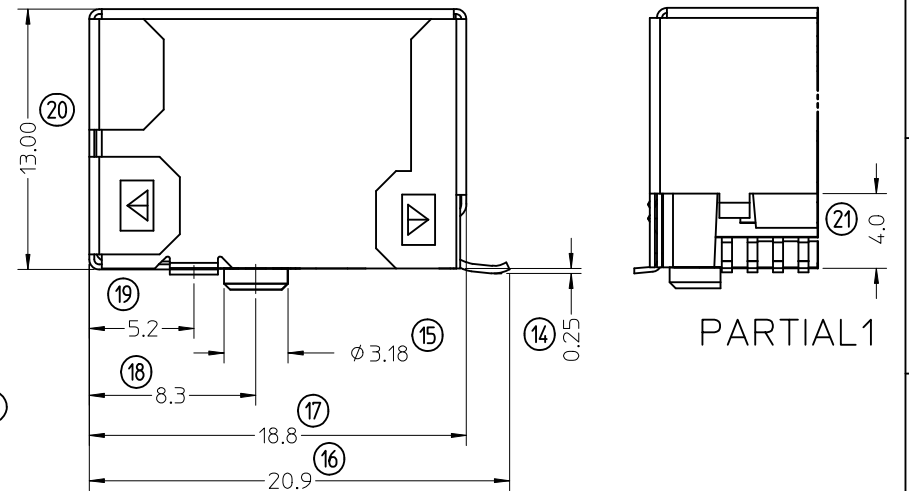
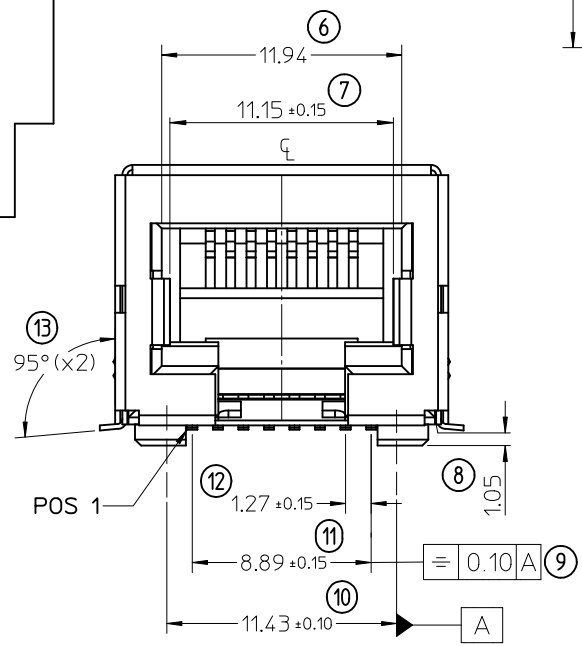
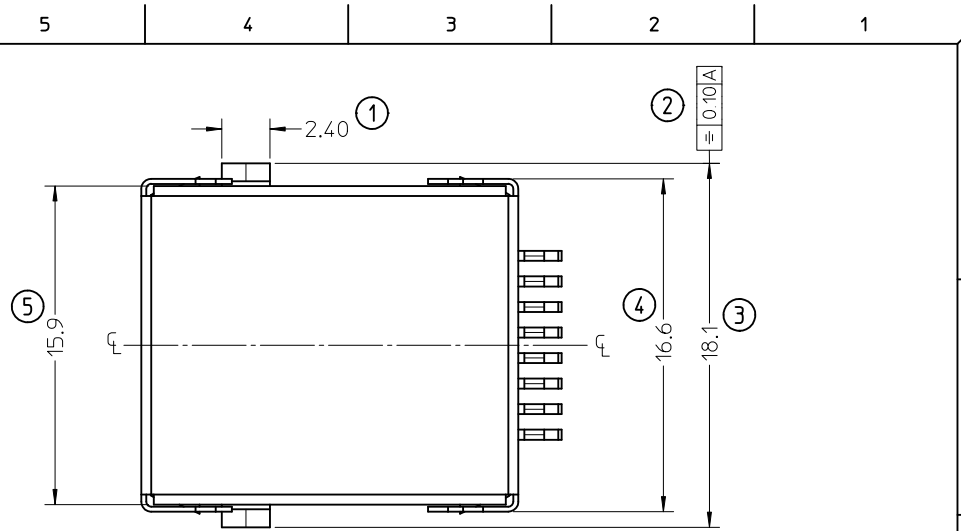
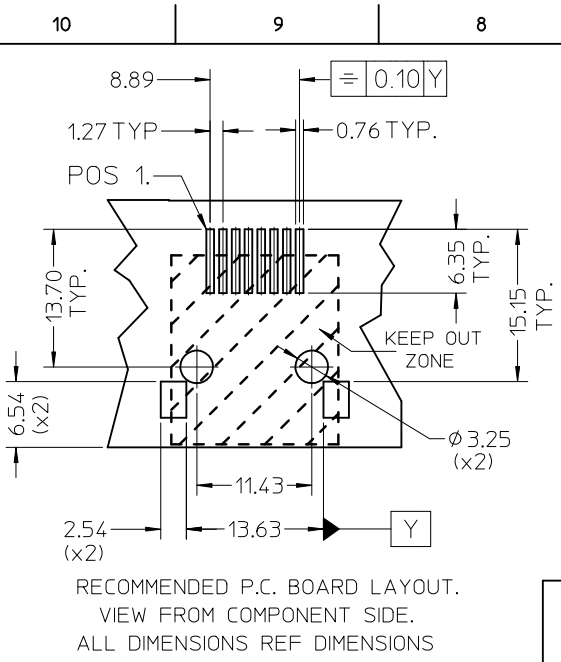


PART No
95622-5881



- NOTES:**
- 1- JACK FOR MATING WITH SHIELDED PLUG (MOLEX 95043 AND 85568 SERIES)
 - 2- PRODUCT SPECIFICATION: PS-95622-001
 - 3- PACKAGING SPECIFICATION: PK-95122-002 (TAPE AND REEL).
 - 4- COPLANARITY OF SIGNAL LEADS: 0.10MAX
 - 5- RECOMMENED PCB THICKNESS 1.57
 - 6- LAST INSPECTION NUMBER: 21

TECHNICAL SPECIFICATIONS:
MATERIAL:
 HOUSING: LCP GLASS FILLED UL 94V-0
 COLOUR BLACK.
 TERMINAL: COPPER ALLOY PLATED WITH:
 BASE FINISH: NICKEL
 CONTACT SURFACE FINISH:
 GOLD,
 OR
 GOLD FLASH OVER PALLADIUM NICKEL.
 EXCEEDS PRODUCT REQUIREMENTS BASED ON
 PS-95622-001
 SHIELD: COPPER ALLOY PLATED WITH TIN.

REMOVED OPTION EC NO: IPG2012-0746 DRW: DBYRNES 2012/04/17 CHKD: APPR: EFOLAN 2012/06/26 REV DESCRIPTION	QUALITY SYMBOLS	GENERAL TOLERANCES (UNLESS SPECIFIED)	DIMENSION STYLE	SCALE	DESIGN UNITS	THIRD ANGLE PROJECTION															
	$\nabla=0$ $\sphericalangle=0$	<table border="1"> <tr> <th></th> <th>mm</th> <th>INCH</th> </tr> <tr> <td>4 PLACES</td> <td>± ---</td> <td>± ---</td> </tr> <tr> <td>3 PLACES</td> <td>± ---</td> <td>± ---</td> </tr> <tr> <td>2 PLACES</td> <td>± 0.25</td> <td>± ---</td> </tr> <tr> <td>1 PLACE</td> <td>± 0.35</td> <td>± ---</td> </tr> </table>		mm	INCH	4 PLACES	± ---	± ---	3 PLACES	± ---	± ---	2 PLACES	± 0.25	± ---	1 PLACE	± 0.35	± ---	MM ONLY	4:1	METRIC	
		mm	INCH																		
	4 PLACES	± ---	± ---																		
3 PLACES	± ---	± ---																			
2 PLACES	± 0.25	± ---																			
1 PLACE	± 0.35	± ---																			
	ANGULAR ± 2 °	DRAWN BY: DBYRNES DATE: 2009/11/20 CHECKED BY: JDWALLACE DATE: 2010/03/02 APPROVED BY: EFOLAN DATE: 2011/05/24	TITLE	FULLY SHIELDED TRUE SMT RIGHT ANGLE MODULAR JACK 8 CIRCUIT																	
	DRAFT WHERE APPLICABLE MUST REMAIN WITHIN DIMENSIONS	SEE CHART	MATERIAL NO.	DOCUMENT NO.	MOLEX INCORPORATED SD-95622-012																
			SIZE A3	THIS DRAWING CONTAINS INFORMATION THAT IS PROPRIETARY TO MOLEX INCORPORATED AND SHOULD NOT BE USED WITHOUT WRITTEN PERMISSION																	
						SHEET NO. 1 OF 1															