

THIS DRAWING IS UNPUBLISHED.

RELEASED FOR PUBLICATION

20

© COPYRIGHT 20

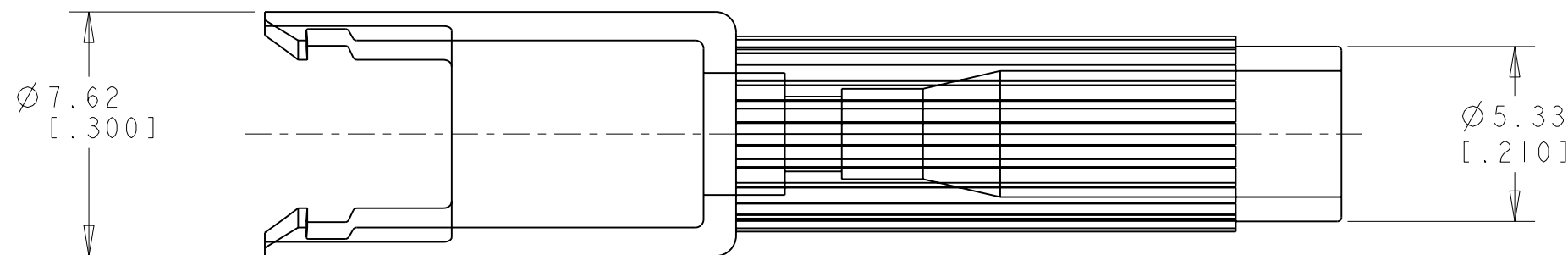
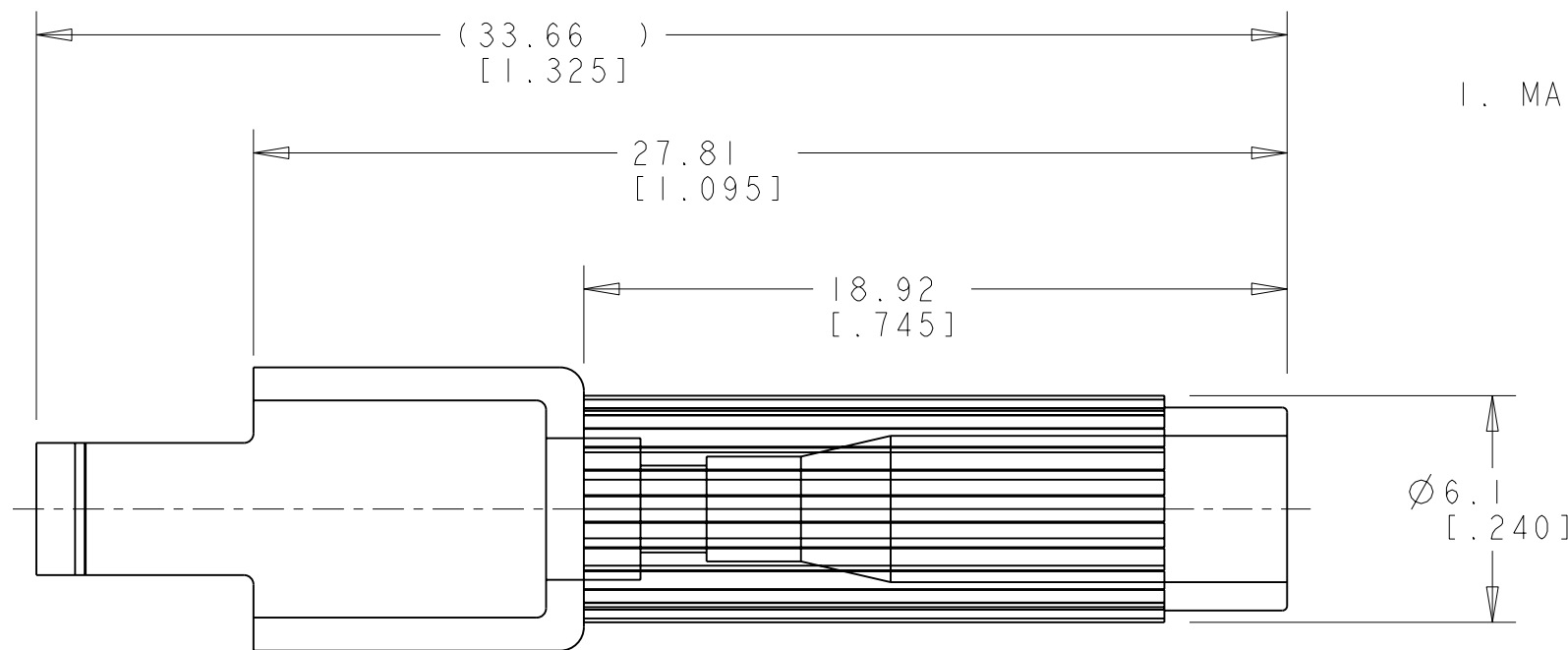
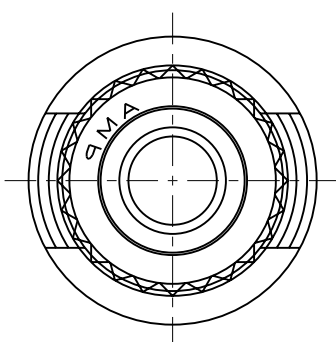
BY TYCO ELECTRONICS CORPORATION. ALL RIGHTS RESERVED.

LOC CM DIST 00

REVISIONS

P	LTR	DESCRIPTION	DATE	DWN	APVD
	D	REVISED PER 0G3B-0341-02	15-APR-03	KW	DC
	E	REVISED PER ECO-05-011041	07OCT05	KW	DC

1. MATES WITH PLUG 480349 OR 480400.

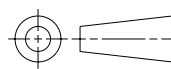


METRIC

1-480401-0  
PART NUMBER

THIS DRAWING IS A CONTROLLED DOCUMENT FOR TYCO ELECTRONICS CORPORATION  
IT IS SUBJECT TO CHANGE AND THE CONTROLLING ENGINEERING ORGANIZATION  
SHOULD BE CONTACTED FOR THE LATEST REVISION.

DIMENSIONS:  
mm [ INCHES ]



MATERIAL NYLON,  
94V-2, BLACK

TOLERANCES UNLESS  
OTHERWISE SPECIFIED:

0 PLC	±-
1 PLC	±-
2 PLC	±0.13 [.005]
3 PLC	±-
4 PLC	±-
ANGLES	±-

FINISH -

DWN 15-APR-2003  
K. WHITAKER  
CHK 15-APR-2003  
D. COLEY  
APVD 15-APR-2003  
D. COLEY

PRODUCT SPEC

APPLICATION SPEC

WEIGHT -

CUSTOMER DRAWING

tyco  
Electronics

Tyco Electronics  
Harrisburg, PA 17105-3608

NAME  
CAP,  
SINGLE CIRCUIT,  
COMMERCIAL MATE-N-LOK(TM)

SIZE	CAGE CODE	DRAWING NO	RESTRICTED TO
A3	00779	480401	-

SCALE 5:1 SHEET 1 OF 1 REV E