

TABLE 1

| MOLEX P/N | ENG. NO. | CABLE LENGTH (mm) | LED |
|------------|----------------|-------------------|-----|
| 1202470016 | BEB803P-FBW-05 | 5000 | YES |
| 1202470017 | BEB803P-FBW-10 | 10000 | YES |
| 1202470018 | BEB803P-FBW-15 | 15000 | YES |
| 1202470019 | BEB803P-FBW-20 | 20000 | YES |
| 1202470052 | BEB8030-FBW-05 | 5000 | NO |
| 1202470053 | BEB8030-FBW-10 | 10000 | NO |
| 1202470054 | BEB8030-FBW-15 | 15000 | NO |

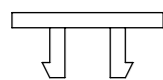
TABLE 2

| ITEM | COMPONENT | MATERIAL | FINISH |
|------|------------------|---------------|------------------|
| 1 | INSERT | POLYESTER | BLACK |
| 2 | CONTACT SOCKET | COPPER ALLOY | GOLD OVER NICKEL |
| 3 | O-RING | VITON | RED |
| 4 | RECEPTACLE SHELL | BRASS | NICKEL PLATED |
| 5 | HOUSING | PBT | BLACK |
| 6 | CABLE | TPU | BLACK |
| 7 | LABEL | ABS | WHITE |
| 8 | LABEL ADHESIVE | PE | WHITE |
| 9 | CABLE PLATE | PBT | BLACK |
| 10 | LED | NO LED = PA | BLACK |
| | | WITH LED = PA | TRANSPARENT |
| 11 | RESIN | EPOXY | TRANSPARENT |

SCALE 2:1

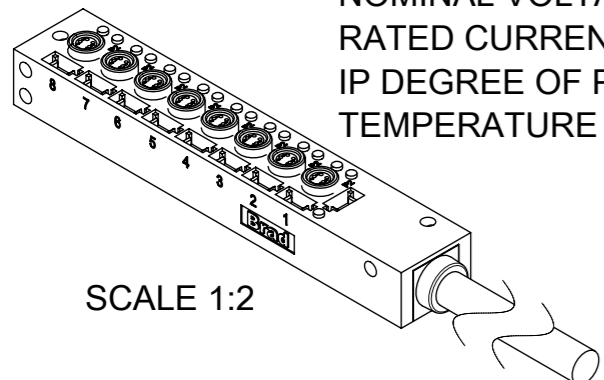


LABEL
9x packed in a bag.

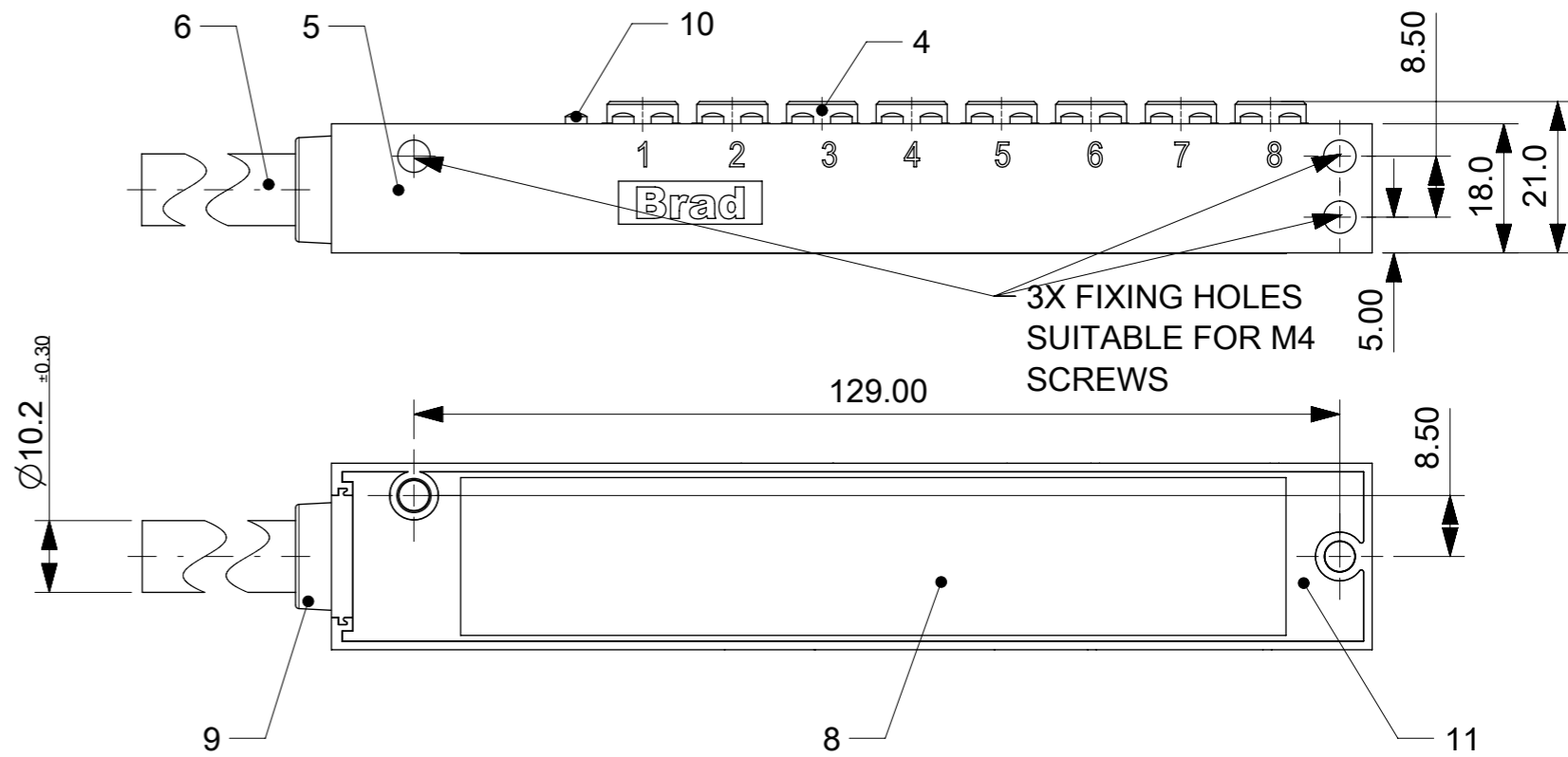
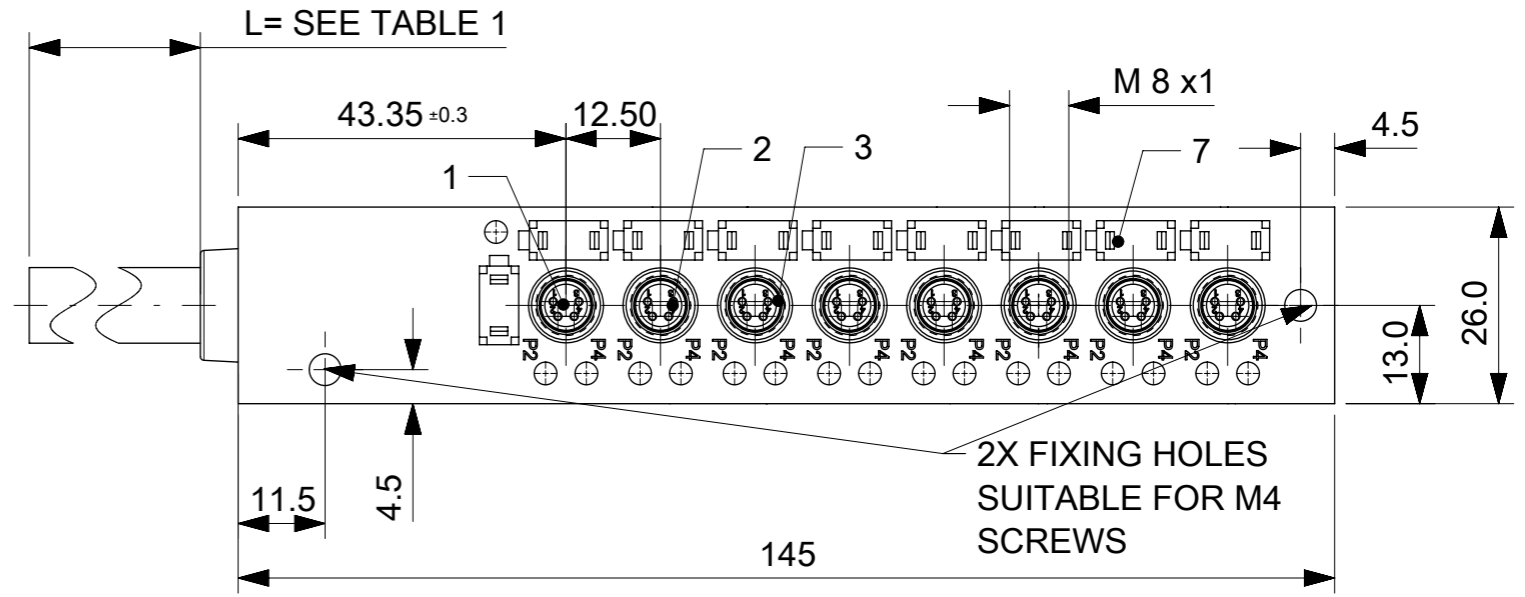


GENERAL CHARACTERISTICS:

NOMINAL VOLTAGE: 24 V DC
 RATED CURRENT: 2 A PER PORT / 6 A MAX: TOTAL
 IP DEGREE OF PROTECTION: IP 68
 TEMPERATURE RANGE: -25°C to + 85°C



SCALE 1:2

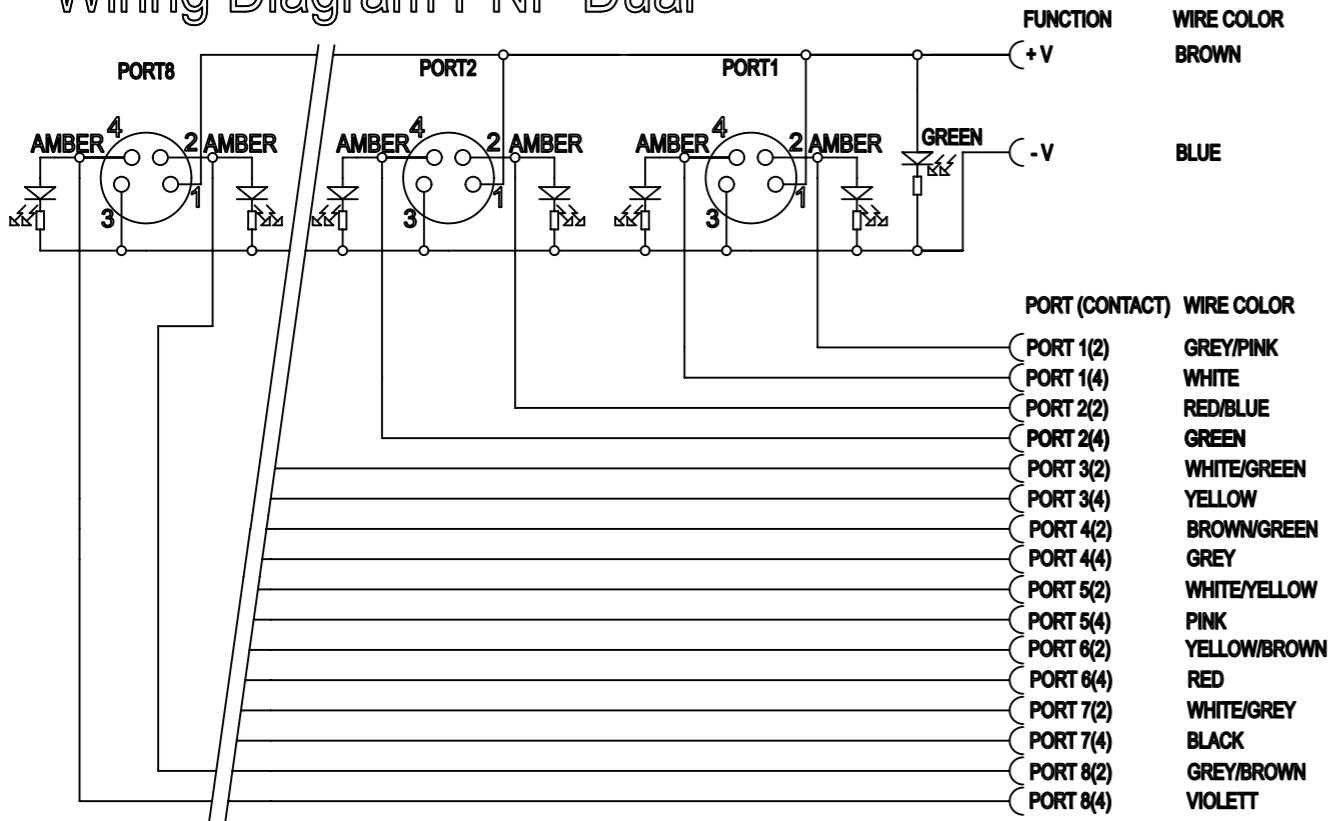


CABLE LENGTH TOLERANCES

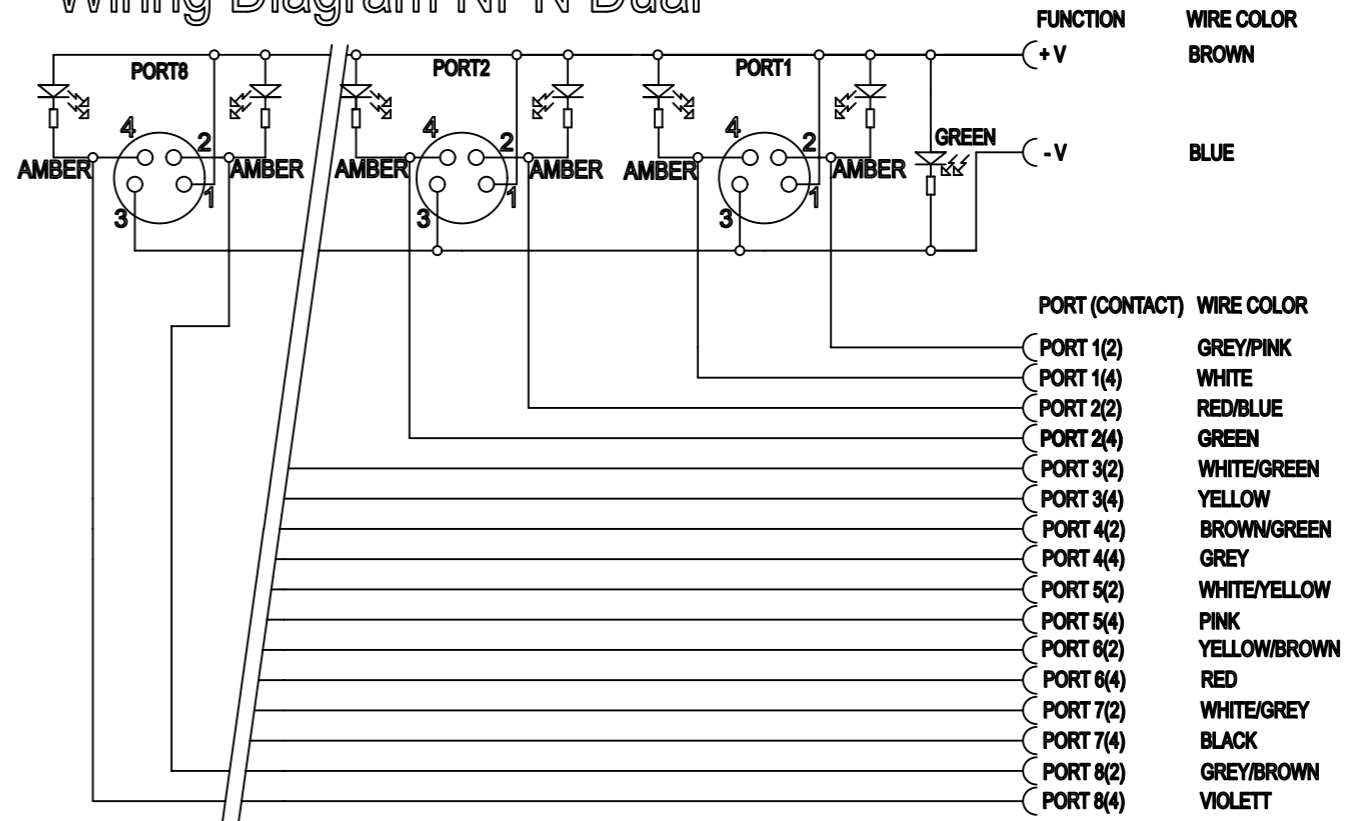
| LENGTH | TOLERANCE |
|----------|------------|
| 0m-1m | +40 mm |
| >1m-5m | +60 mm |
| >5m-10m | +80 mm |
| >10m-20m | +140 mm |
| >20m-30m | +160 mm |
| >30m | +1% length |

| | | | |
|---|---|---|----------------------------|
| FUNCTIONAL SYMBOLS ∇/A = 0 ∇/E = 0 ∇/V = 0 | THIS DRAWING CONTAINS INFORMATION THAT IS PROPRIETARY TO MOLEX ELECTRONIC TECHNOLOGIES, LLC AND SHOULD NOT BE USED WITHOUT WRITTEN PERMISSION | CURRENT REV DESC: ADDED CABLE TOLERANCE TABLE | |
| | DIMENSION UNITS: mm | SCALE: 1:1 | |
| DIVISIONAL SYMBOLS | GENERAL TOLERANCES (UNLESS SPECIFIED) | | |
| | ANGULAR TOL ± ° | | |
| | 4 PLACES ± | EC NO: 699789 | |
| | 3 PLACES ± | DRWN: MDHARMANTI | 2022/03/11 |
| | 2 PLACES ± 0.2 | CHK'D: RSILLER | 2022/03/17 |
| | 1 PLACE ± 0.3 | APPR: RSILLER | 2022/03/17 |
| | 0 PLACES ± 0.5 | INITIAL REVISION: | |
| | DRAFT WHERE APPLICABLE MUST REMAIN WITHIN DIMENSIONS | DRWN: ULETTENMEIER | 2015/01/20 |
| | | APPR: RSILLER | 2015/04/22 |
| THIRD ANGLE PROJECTION | DRAWING | SERIES | MATERIAL NUMBER |
| | A3-SIZE | 120247 | SEE TABLE 1 |
| CUSTOMER | | DOCUMENT NUMBER | DOC TYPE DOC PART REVISION |
| GENERAL MARKET | | 1202470016 | PSD 000 B1 |
| SHEET NUMBER | | 1 OF 2 | |

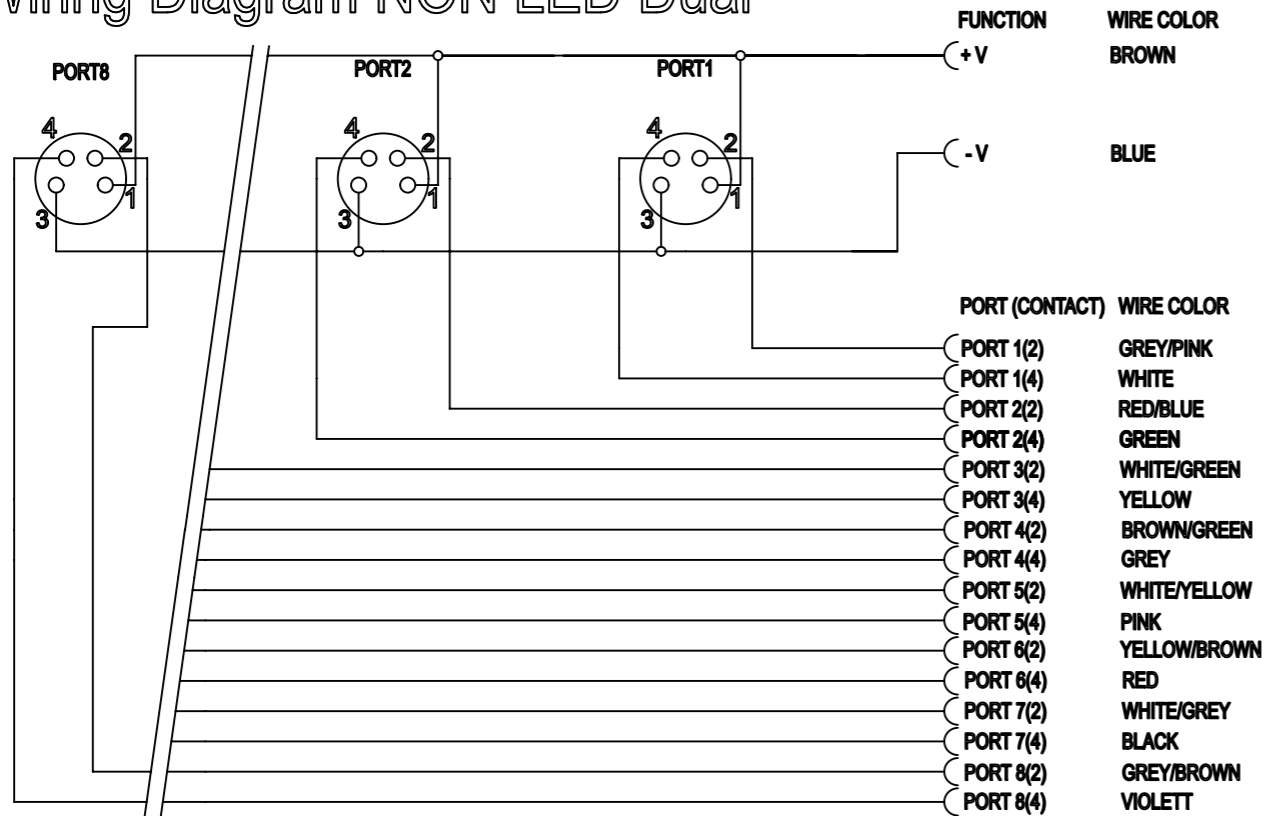
Wiring Diagram PNP Dual



Wiring Diagram NPN Dual



Wiring Diagram NON LED Dual



| | | | | | | | | |
|--|---|-------|---|---------|--------|---|----------------|--------------|
| FUNCTIONAL SYMBOLS | THIS DRAWING CONTAINS INFORMATION THAT IS PROPRIETARY TO MOLEX ELECTRONIC TECHNOLOGIES, LLC AND SHOULD NOT BE USED WITHOUT WRITTEN PERMISSION | | | | | | | |
| | DIMENSION UNITS | SCALE | | | | CURRENT REV DESC: ADDED CABLE TOLERANCE TABLE | | |
| $\nabla_A = 0$ | mm | 1:1 | EC NO: 699789 DRWN: MDHARMANTI 2022/03/11 CHK'D: RSILLER 2022/03/17 APPR: RSILLER 2022/03/17 INITIAL REVISION: DRWN: ULETTENMEIER 2015/01/20 APPR: RSILLER 2015/04/22 | | | | | |
| GENERAL TOLERANCES (UNLESS SPECIFIED) | | | | | | | | |
| ANGULAR TOL ± ° | | | | | | | | |
| DIVISIONAL SYMBOLS | 4 PLACES ± | | | | | | | |
| | 3 PLACES ± | | | | | | | |
| | 2 PLACES ± 0.2 | | | | | | | |
| | 1 PLACE ± 0.3 | | | | | | | |
| | 0 PLACES ± 0.5 | | | | | | | |
| DRAFT WHERE APPLICABLE MUST REMAIN WITHIN DIMENSIONS | | | THIRD ANGLE PROJECTION | DRAWING | SERIES | MATERIAL NUMBER | CUSTOMER | SHEET NUMBER |
| | | | | A3-SIZE | 120247 | SEE TABLE 1 | GENERAL MARKET | 2 OF 2 |

| | | | |
|---------------------------------------|----------|----------|----------|
| molex | | | |
| MPIS M8 PNP NPN NOS 4P 8PT BK XM DUAL | | | |
| PRODUCT CUSTOMER DRAWING | | | |
| DOCUMENT NUMBER | DOC TYPE | DOC PART | REVISION |
| 1202470016 | PSD | 000 | B1 |