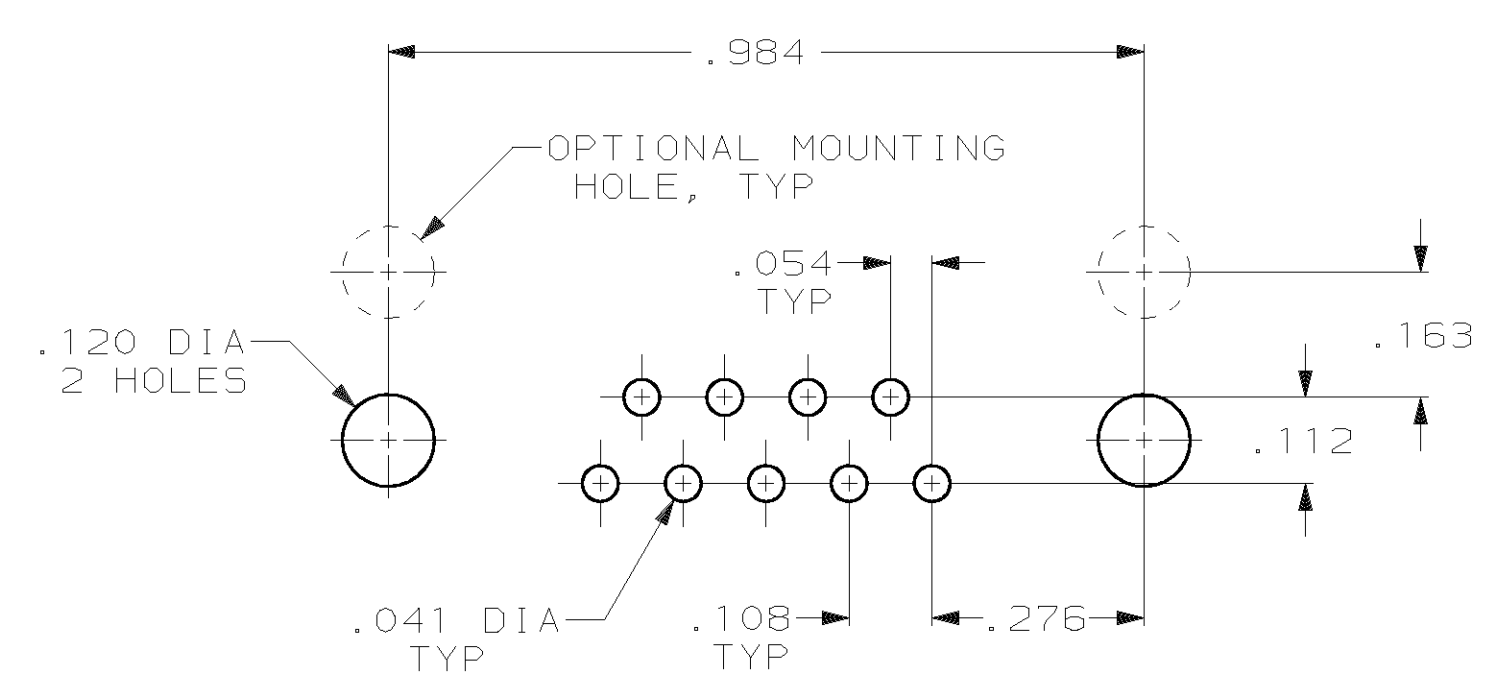
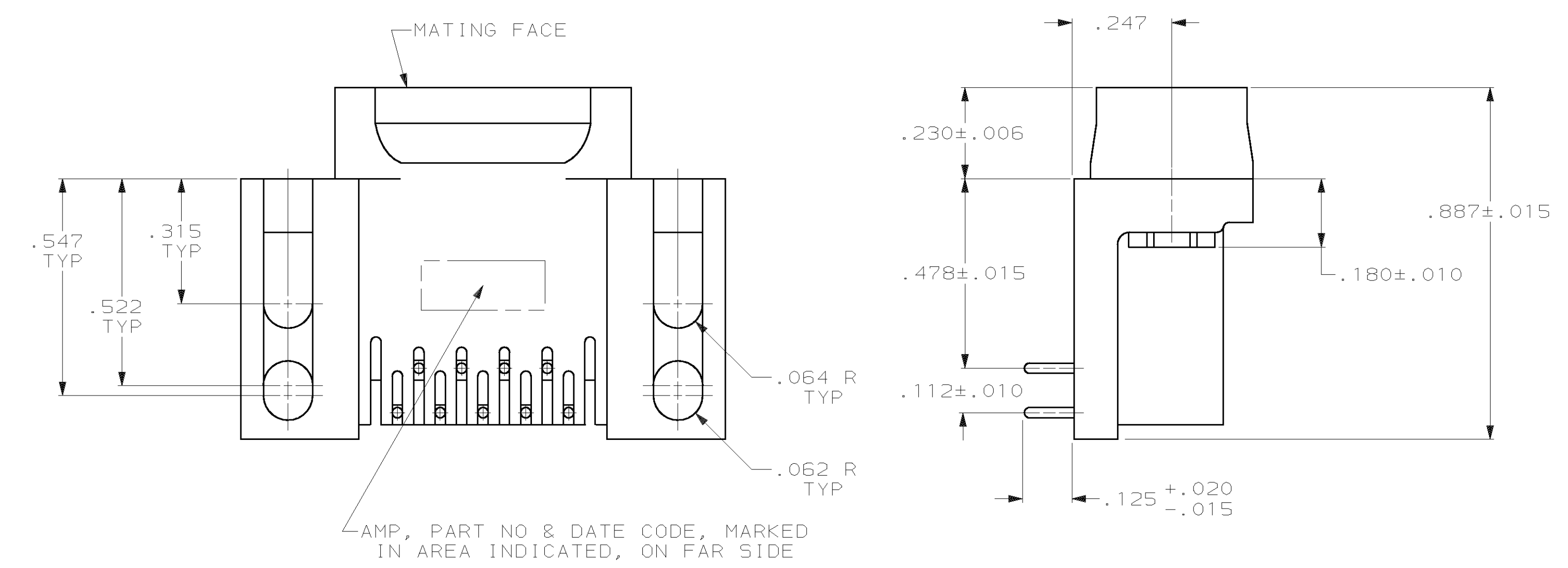
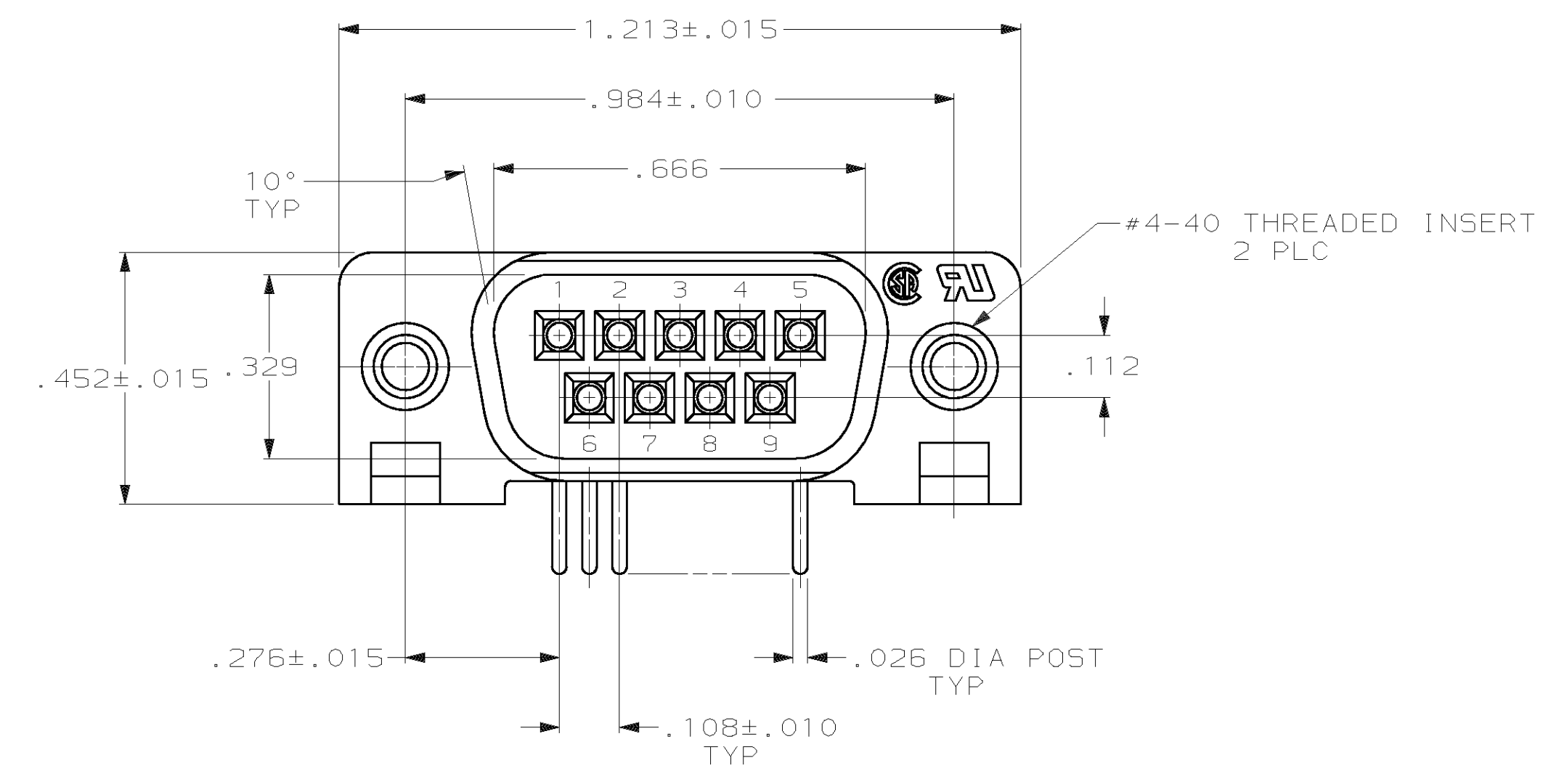


LOC		DIST		REV		ZONE		LTR		DESCRIPTION		DATE	APPD



P.C. BOARD MOUNTING DIMENSIONS  $\triangle$

- $\triangle$  1 FLAME RETARDANT, 94V-0 RATED, GLASS FILLED NYLON OR POLYESTER, COLOR: BLACK.
- $\triangle$  2 BRASS PER MIL-C-50.
- $\triangle$  3 REFER TO APPLICATION SPEC FOR RECOMMENDED P.C. BOARD MOUNTING DIMENSIONS FOR AUTOMATIC INSERTION.
- $\triangle$  4 GOLD PLATING PER MIL-G-45204, TIN PLATING PER MIL-T-10727, NICKEL PLATING PER QQ-N-290.
- $\triangle$  5 PLATED WITH GOLD FLASH FOR LENGTH OF .150 MIN FROM MATING END, WITH POINT OF MEASUREMENT .075 FROM MATING END OF CONTACT, .000100-.000200 TIN OR TIN-LEAD ON SOLDER END, ALL OVER .000050 NICKEL ON ENTIRE CONTACT.
- $\triangle$  6 GOLD PLATED FOR LENGTH OF .150 MIN FROM MATING END, .000030 MIN GOLD IN MATED AREA, WITH POINT OF MEASUREMENT .075 FROM MATING END OF CONTACT, .000100-.000200 TIN OR TIN-LEAD ON SOLDER END, ALL OVER .000050 NICKEL ON ENTIRE CONTACT.

SUPSD BY 745877-2	$\triangle$ 6	745877 -2
	$\triangle$ 5	745877 -1
	FINISH	PART NUMBER

UNLESS OTHERWISE SPECIFIED DIMENSIONS ARE IN INCHES TOLERANCES ON :		DR 5-5-87 S.WELDON	<b>AMP</b> AMP INCORPORATED Harrisburg, Pa. 17105	
2 PL DEC ± .005		CHK 5-5-87 C.RICHARD		
3 PL DEC ± .005		APPD5-5-87 B.TAYLOR	NAME	
ANGLES ± 2°		APPD5-5-87 J.ASSINI	PLUG ASSY, SIZE 1, 9 POSN, RIGHT ANGLE, .478 SERIES, .026 DIA POSTS, W/ THREADED INSERTS, AMPLIMITE® HD-20	
MATERIAL	PRODUCT SPEC	108-40005	SIZE	FSCM NO
MOLDED PARTS: $\triangle$	APPLICATION SPEC	114-40015	<b>D</b>	00779
CONTACTS: $\triangle$	WEIGHT	-	DRAWING NO	745877
INSERTS: ZINC			SCALE	4:1
FINISH $\triangle$			SHEET	1 of 1
CONTACTS: SEE TABLE			CUSTOMER DRAWING	
INSERTS: CLEAR CHROMATE				