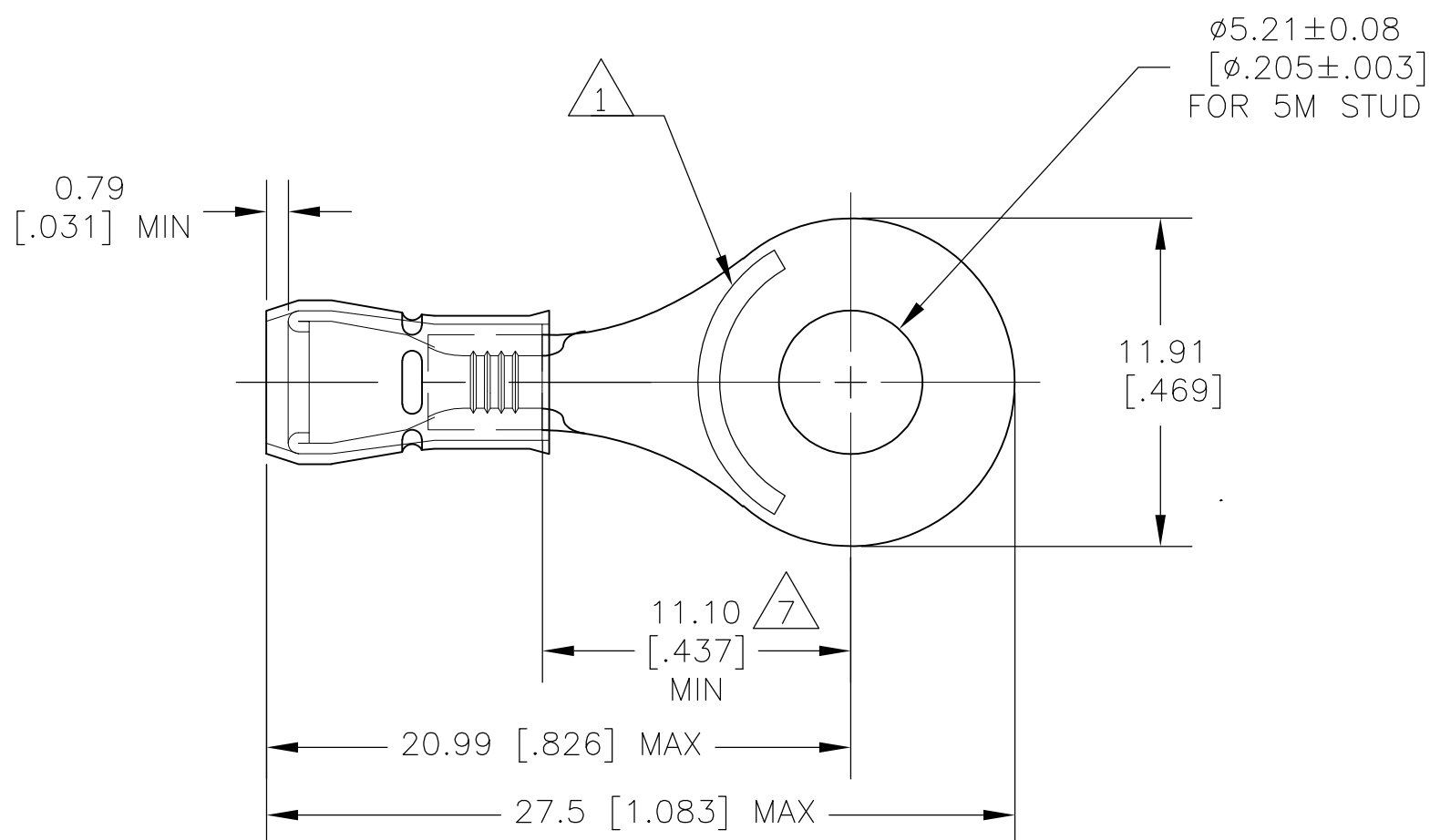


THIS DRAWING IS UNPUBLISHED. RELEASED FOR PUBLICATION
 © COPYRIGHT BY TYCO ELECTRONICS CORPORATION. ALL RIGHTS RESERVED.

LOC	DIST	REVISIONS					
		P	LTR	DESCRIPTION	DATE	DWN	APVD
G	02		H	REV PER ECR 09-020427	28OCT09	JR	TM

AMP
WIRE RANGE
22-16 AWG
SOLID OR STRANDED



- 1 STAMP "AMP 22-18*" APPROX AS SHOWN, 22-16 TERMINALS ARE STAMPED 22-18 IN ACCORDANCE WITH MILITARY SPECIFICATION MIL-T-7928, COMMERCIAL WIRE RANGE IS 22-16.
- 2 MATERIAL: TERMINAL & SLEEVE- COPPER PER ASTM B-152, ANNEALED. INSULATION - NYLON, COLOR RED
- 3 FINISH: TERMINAL & SLEEVE- 0.00254 [.000100] MIN TIN PLATE PER ASTM B-545
- 4 FINISH: TERMINAL & SLEEVE- TIN PLATE PER SNCF REQUIREMENTS
- 5 WIRE INSULATION DIA 2.7-3.6 [.105-.140]
- 6 TONGUE MATERIAL THK: 0.79±0.05 [.031±.002]
- 7 DIMENSION APPLIES FROM EDGE OF WIRE BARREL TO CENTER OF STUD HOLE.
- 8 MAX RECOMMENDED OPERATING TEMP 105°C [221°F]
- 9 VOLTAGE RATING IS 300 V MAX
- 10 0.26-1.65mm² [509-3,260] CMA, STRANDED

QTY	PACKAGING TYPE	FINISH	PART NO
1000	LOOSE PIECE	4	130044-1
1000	LOOSE PIECE	3	130044

THIS DRAWING IS A CONTROLLED DOCUMENT.		DWN jr_ruth 28OCT09	Tyco Electronics Corporation Harrisburg, PA 17105-3608	
DIMENSIONS: MM [INCHES]	TOLERANCES UNLESS OTHERWISE SPECIFIED:	CHK T MICHIELUTTI 28OCT09	NAME	
	0 PLC ± -	APVD T MICHIELUTTI 28OCT09	TERMINAL, RING TONGUE, PIDG, WIRE SIZE, 22-16 AWG	
	1 PLC ± -	PRODUCT SPEC	-	
	2 PLC ± -	APPLICATION SPEC	-	
	3 PLC ± 0.20 [.008]	WEIGHT	SIZE A3	CAGE CODE 00779
	4 PLC ± -		DRAWING NO	C-130044
	ANGLES ± -		RESTRICTED TO	-
MATERIAL - 2	FINISH SEE TABLE	CUSTOMER DRAWING		
		SCALE 4:1	SHEET 1 OF 1	REV H