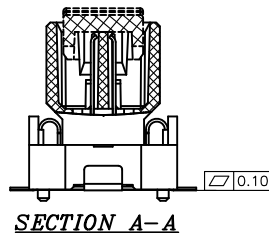
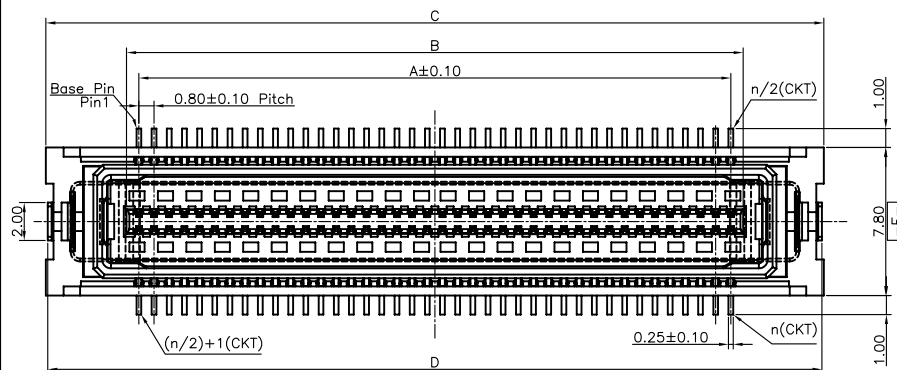
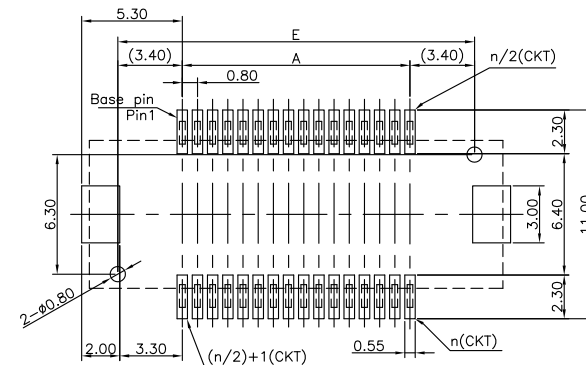
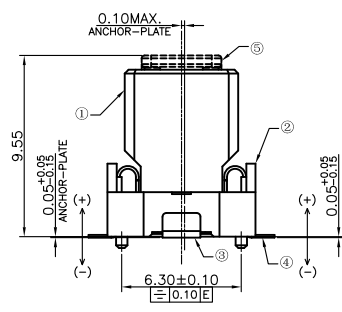
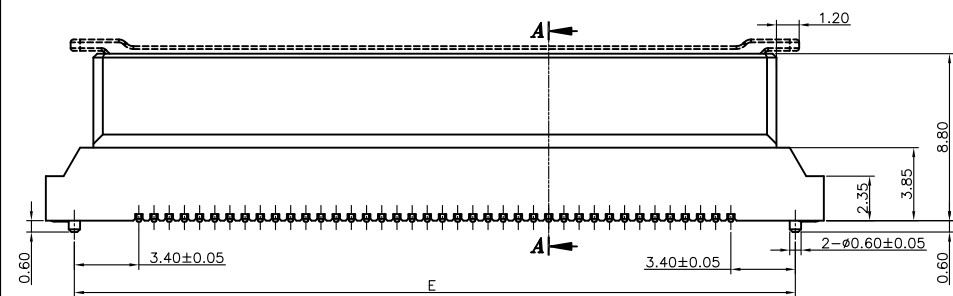


This document is the property of Amphenol Aorora Corporation and is delivered on the express condition that it is not to be disclosed, reproduced or used, in whole or in part, for manufacture or sale by anyone other than Amphenol Aorora Corporation without its prior consent, & that no right is granted to disclose or to use any information in this document.

REV.	ECR/ECN No.	DESCRIPTION	DRAWN/DATE	CHECKED/DATE	APPROVED/DATE
A	/	New Version	May 2018-03-05	Rain 2018-03-05	Xiaohong.zhu 2018-03-05



NO.	COMPONENTS	MATERIALS	SPECIFICATION:FINISH/COLOR	QTY.
1	HOUSING	GLASS FILLED LCP, UL94V-0	BLACK	1
2	HOUSING BASE	GLASS FILLED LCP, UL94V-0	BLACK	1
3	ANCHOR-PLATE	BRASS, T=0.20±0.01mm	ALL OVER 80u" MIN. MATTE TIN UNDERPLATING:40u" NICKEL MIN.	2
4	CONTACT	PHOSPHOR BRONZE, T=0.15±0.01mm	CONTACT AREA 2u" MIN. GOLD, PLATED UNDERPLATING:GOLD FLASH AND FOOT UNDERPLATING:40u" NICKEL MIN.	N
5	CAP	GLASS FILLED LCP, UL94V-0	BLACK	1



RECOMMENDED PCB SIZE  
GENERAL TOLERANCE: ±0.05(MOUNTING SIDE)

DIMENSION LIST:

NO. OF POS.	A	B	C	D	E	NO. OF POS.	A	B	C	D	E
30	11.20	12.50	21.00	20.80	18.00	80	31.20	32.50	41.00	40.80	38.00
40	15.20	16.50	25.00	24.80	22.00	90	35.20	36.50	45.00	44.80	42.00
50	19.20	20.50	29.00	28.80	26.00	100	39.20	40.50	49.00	48.80	46.00
60	23.20	24.50	33.00	32.80	30.00	110	43.20	44.50	53.00	52.80	50.00
70	27.20	28.50	37.00	36.80	34.00	120	47.20	48.50	57.00	56.80	54.00

UNLESS OTHERWISE SPECIFIED TOLERANCES		ANGLE OF PROJECTION	
X.	±0.50	X.	± 1°
XX	±0.30	XX	± 0.5°
XXX	±0.20	XXX	± 0.5°
L	±0.10	L	± 1°
LINEAR DIMS		ANGLES DIMS	

DOC TYPE	Customer Drw
DRAWN DATE	May 2018-03-05
DESIGN DATE	May 2018-03-05
CHECKED DATE	Rain 2018-03-05
APPROVED DATE	Xiaohong.zhu 2019-03-05

Amphenol Aorora Technology (Huizhou) Co.,Ltd

TITLE: Assembly Drawing For 0.8mm Pitch Floating board to to board Plug connector series

SCALE: 1:1 UNIT: mm SHEET 1 OF 1

SIZE DWG NO. A-S0465 REV. A

ASSEMBLY\_TYPE\_2 DRAWING

ASSEMBLY\_TYPE\_1 DRAWING