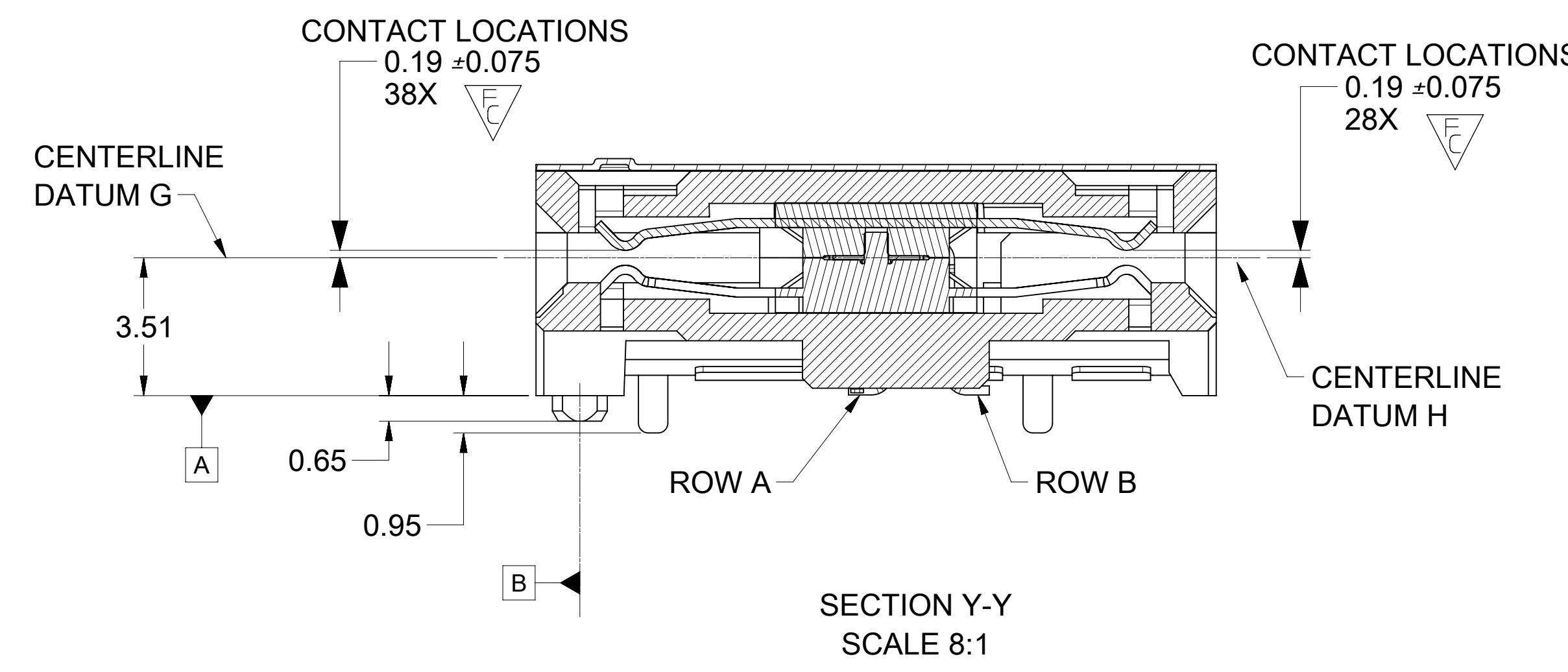
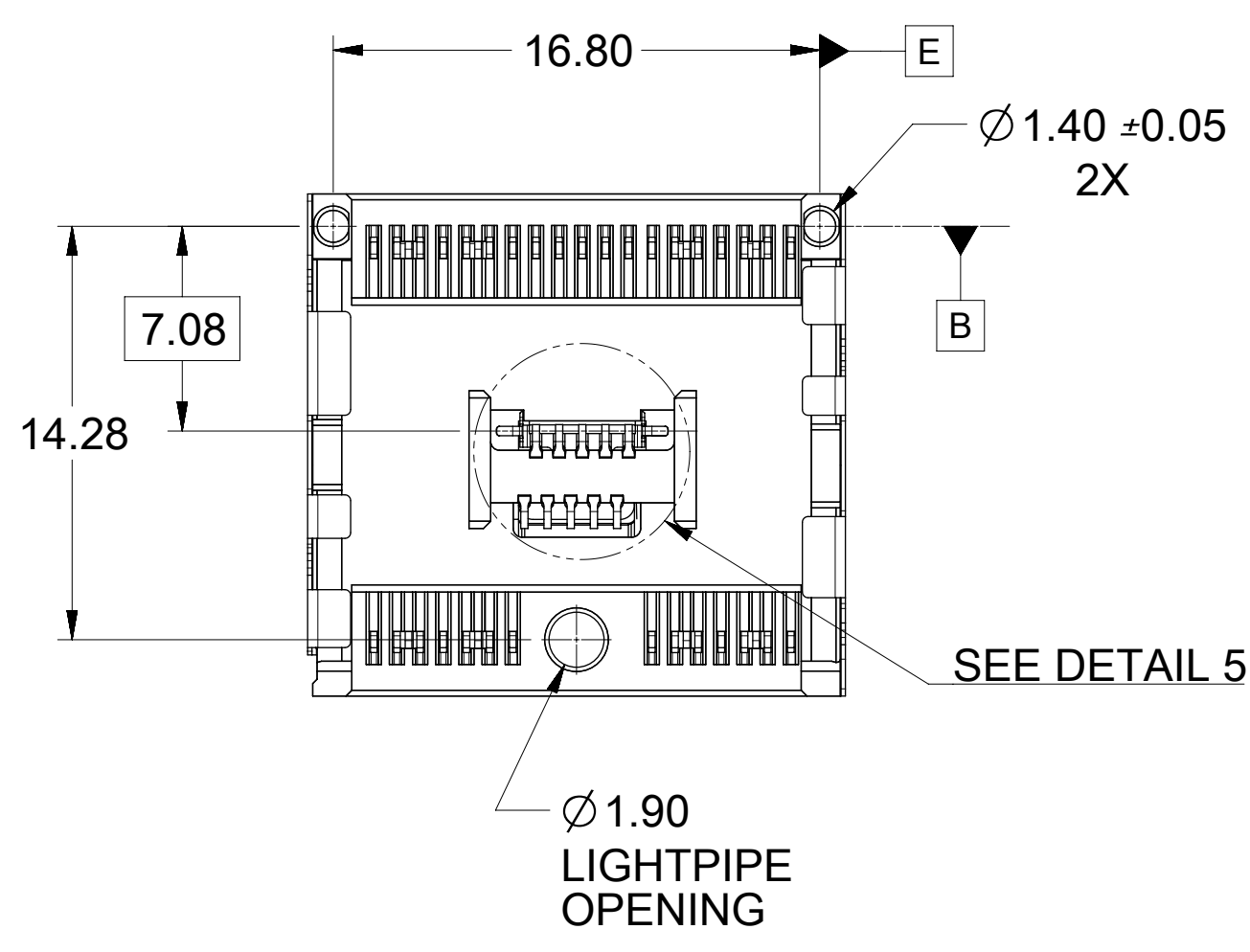
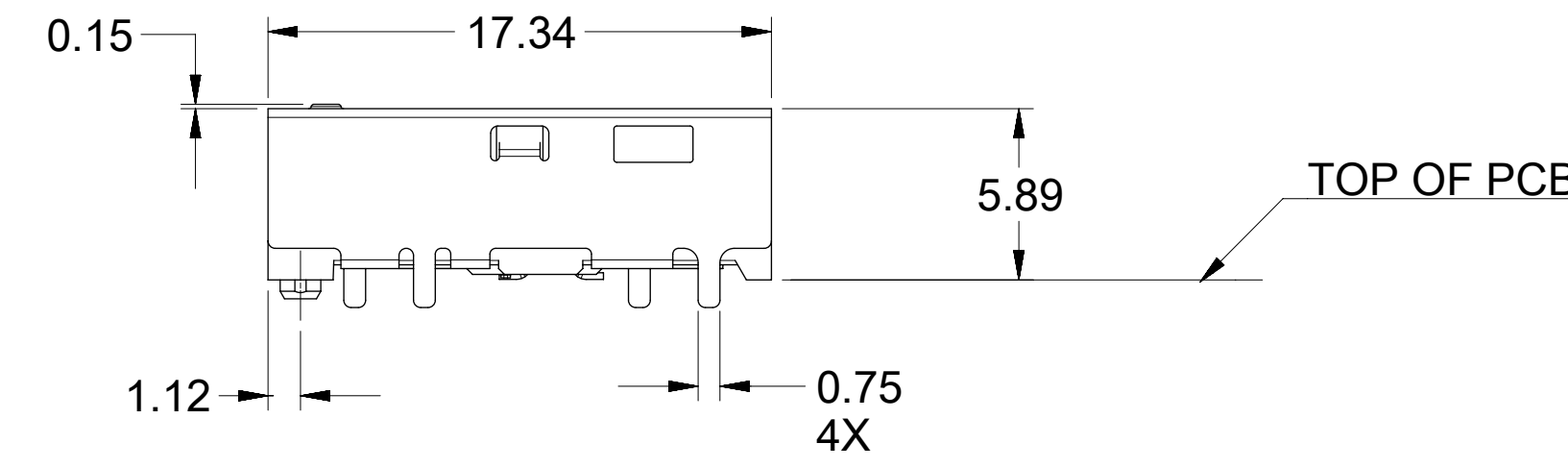
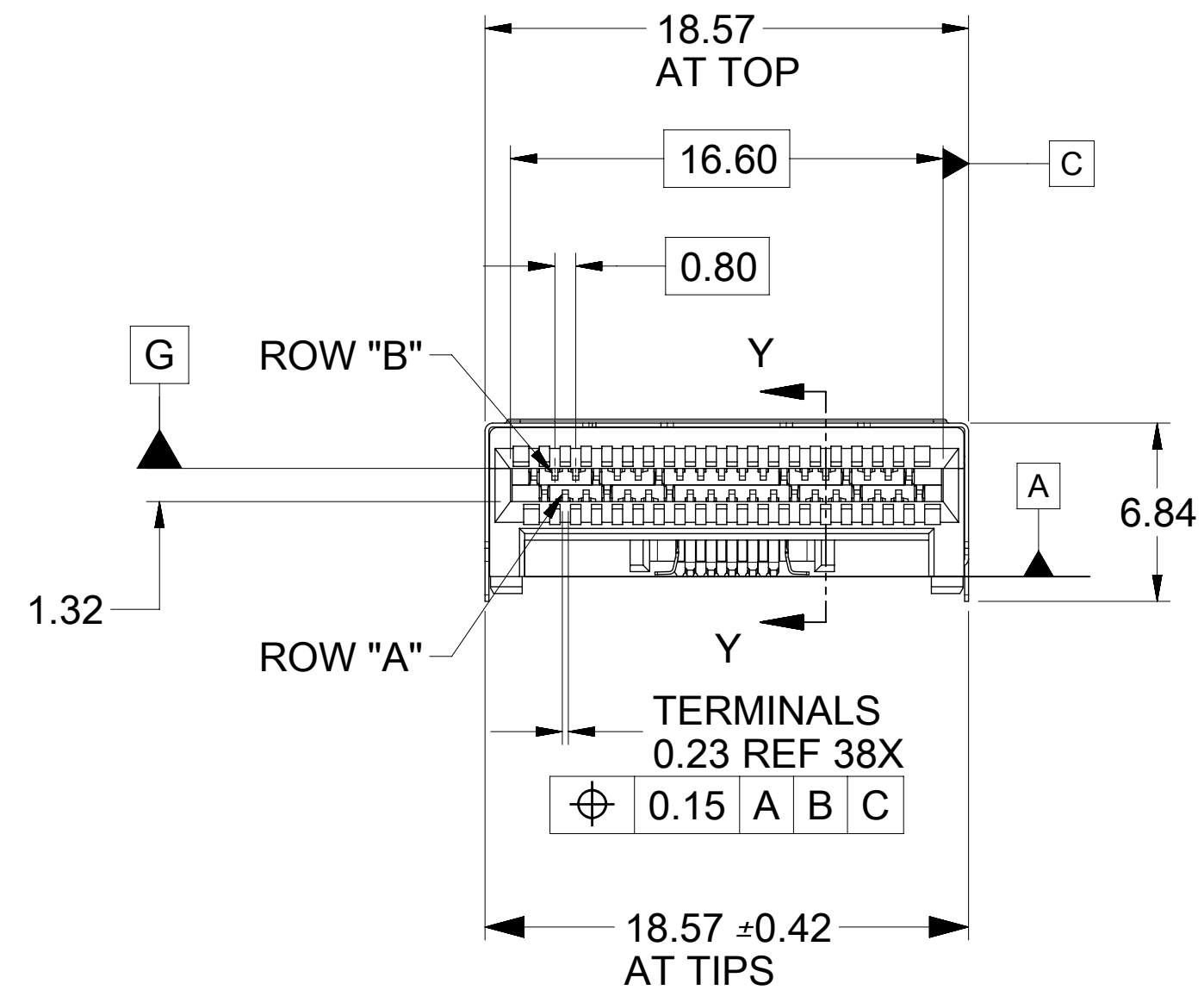
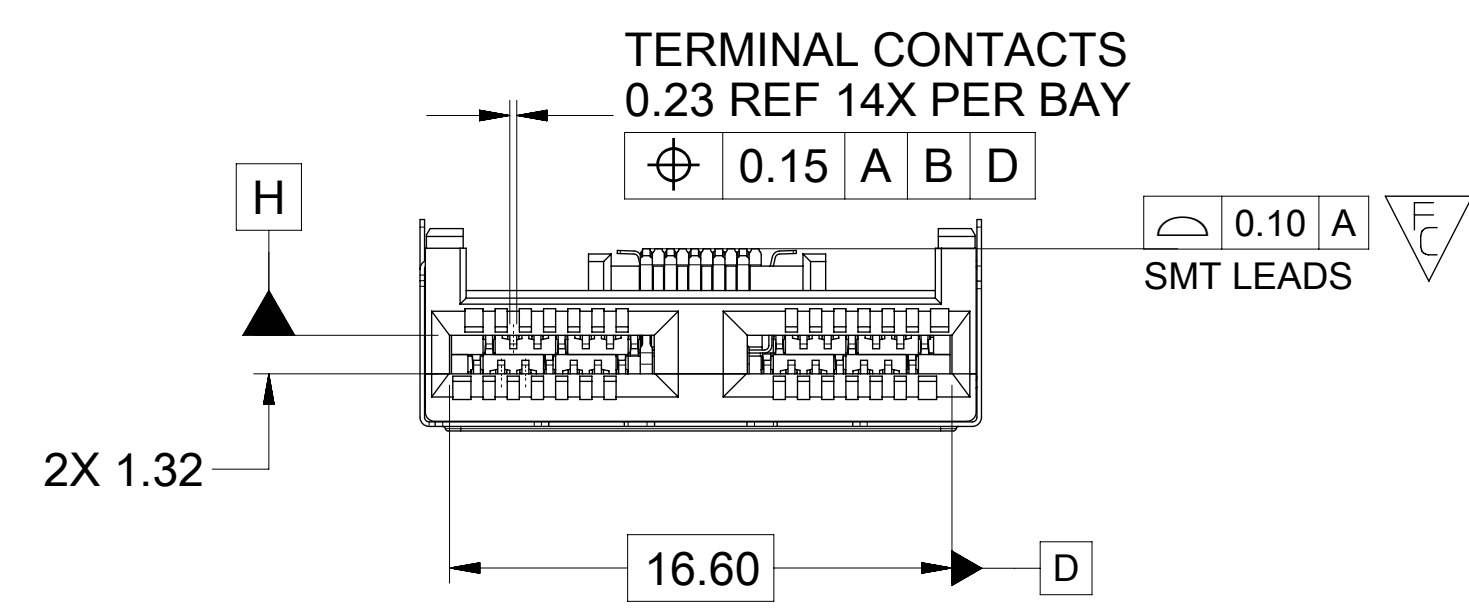


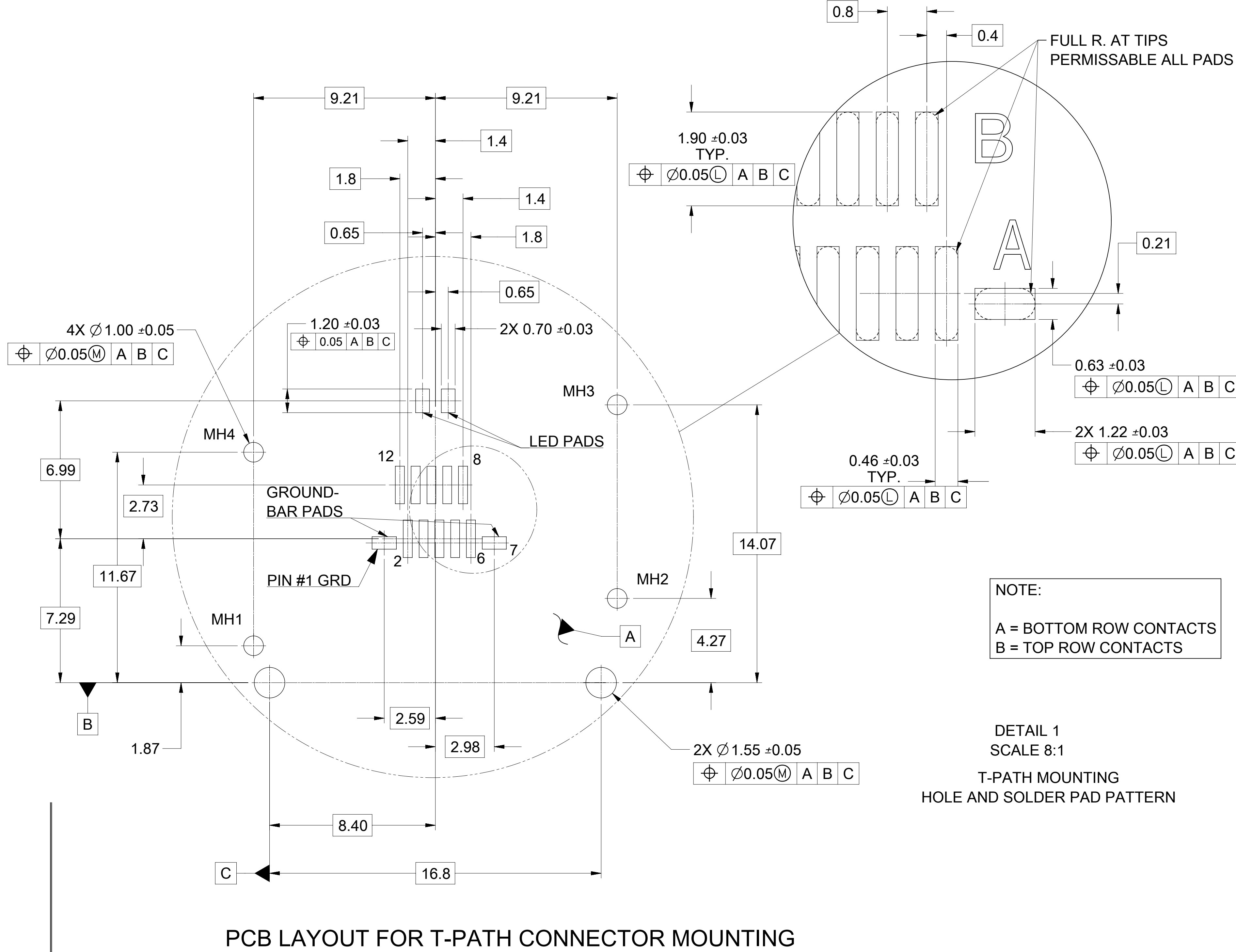
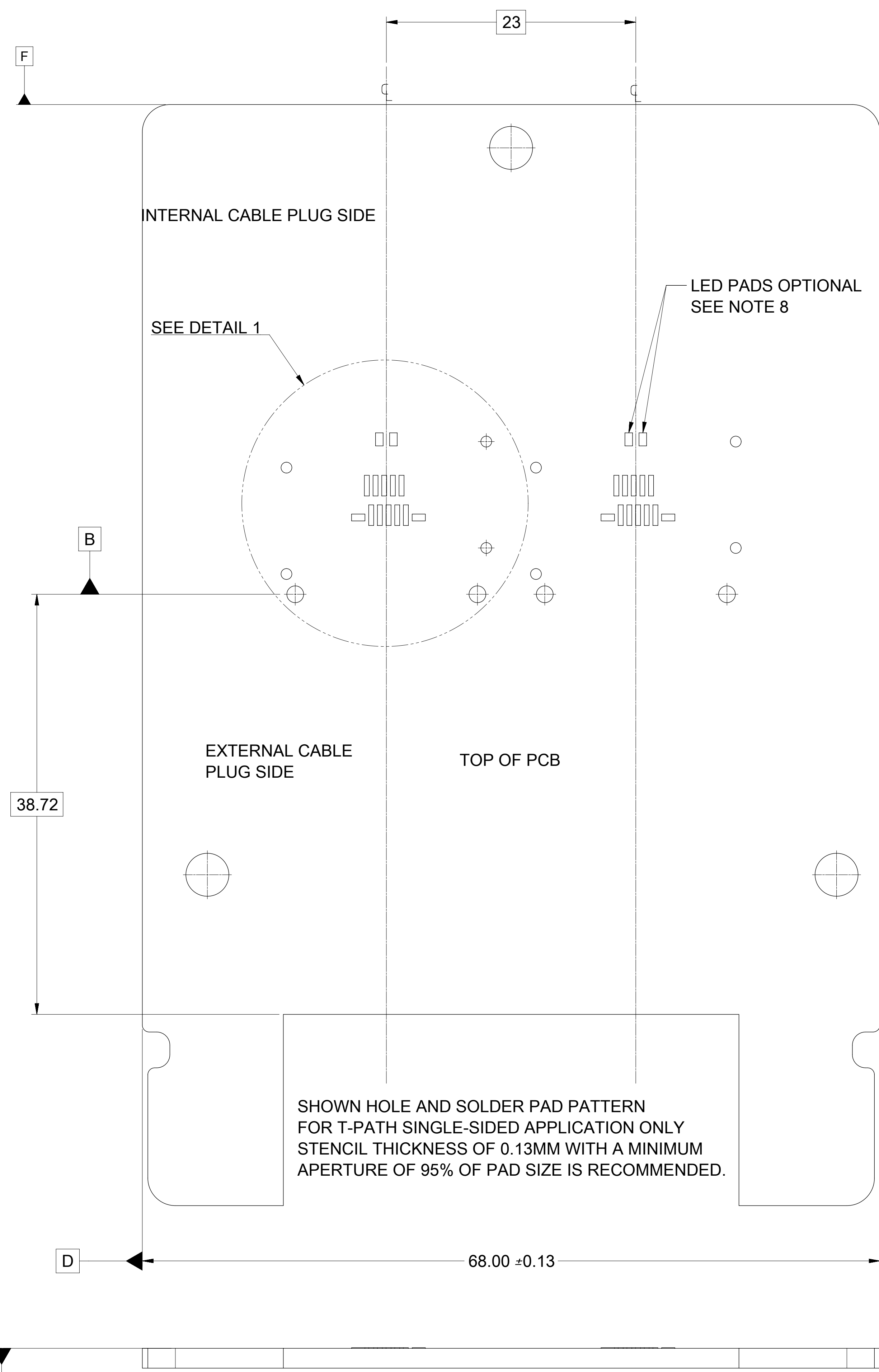
172604-0002  
HARDTOP  
T-PATH CONNECTOR  
ASSEMBLY



- NOTES:
- MATERIAL - HOUSING - HALOGEN FREE GLASS FILLED, LCP UL 94V-0, COLOR: BLACK  
SHELLS: 0.15 THICK NICKEL-SILVER ALLOY, UNPLATED  
TERMINALS - HIGH PERFORMANCE COPPER ALLOY
  - PLATING - CONTACT AREA - 0.76 µm MIN GOLD OVER 2.54 µm NICKEL  
SOLDER AREA - 2.54 -5.09 µm TIN OVER 2.54 µm MIN NICKEL
  - DATE CODE: 4 DIGIT (3 DIGIT DAY, 1 DIGIT YEAR)
  - CONFORMS TO PRODUCT SPECIFICATION: PS-172604-001
  - CONNECTOR ASSEMBLY IS RoHS AND LOW HALOGEN COMPLIANT
  - DIMENSIONS AND TOLERANCES CONFORM TO AMSE Y14.5 2009
  - LED IS OPTIONAL. RECOMMENDED LED PACKAGE: 1608/0603 0.4mm HIGH MAX.
  - PACKAGING: TAPE AND REEL PER PK-172604-9001.
  - CONNECTOR TO BE USED IN CONJUNCTION WITH EMI CAGES SHOWN ON DRAWING SD-172604-2100
  - IFP CABLE PLUG TO HAVE 1.0mm THICK PCB.



QUALITY SYMBOLS	THIS DRAWING CONTAINS INFORMATION THAT IS PROPRIETARY TO MOLEX ELECTRONIC TECHNOLOGIES, LLC AND SHOULD NOT BE USED WITHOUT WRITTEN PERMISSION			
	REV TAIL POSITIONS	GENERAL TOLERANCES (UNLESS SPECIFIED)	DIMENSION UNITS	SCALE
▽ = 0	2017/09/05	MM ONLY	MM ONLY	4:1
▽ = 3	2018/10/01	ANGULAR TOL ± 0.5 °	DRWN BY	DATE
▽ = 0	2018/10/04	4 PLACES ±	MWOLFE	2016/07/01
▽ = 0		3 PLACES ±	CHKD BY	DATE
▽ = 0		2 PLACES ± 0.13	APPR BY	DATE
▽ = 0		1 PLACE ± 0.25	SMILLER	2017/05/19
▽ = 0		0 PLACES ±	DRAWING SIZE	THIRD ANGLE PROJECTION
▽ = 0		DRAFT WHERE APPLICABLE MUST REMAIN WITHIN DIMENSIONS	D	
REV TAIL POSITIONS			SERIES	MATERIAL NUMBER
EC NO: 605274	DRWN: ABN	CHKD: MSTRACK	172604	172604-0002
REV APPR: RNELSON	PRODUCT CUSTOMER DRAWING			CUSTOMER
DOCUMENT NUMBER			DOC TYPE	DOC PART SHEET NUMBER
SD-172604-0002			PSD	001
1 OF 3				

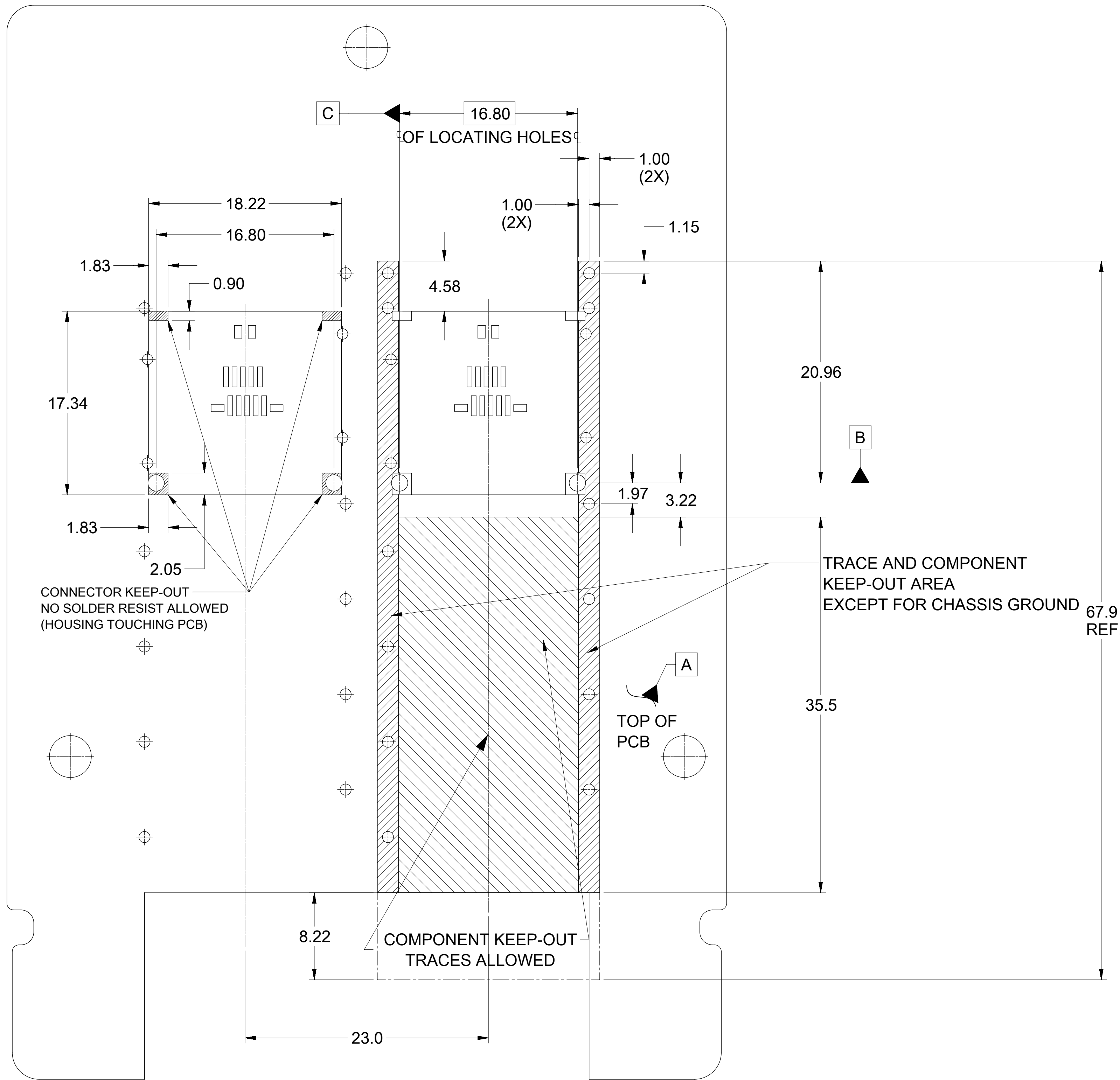


NOTE:  
 A = BOTTOM ROW CONTACTS  
 B = TOP ROW CONTACTS

DETAIL 1  
 SCALE 8:1  
 T-PATH MOUNTING  
 HOLE AND SOLDER PAD PATTERN

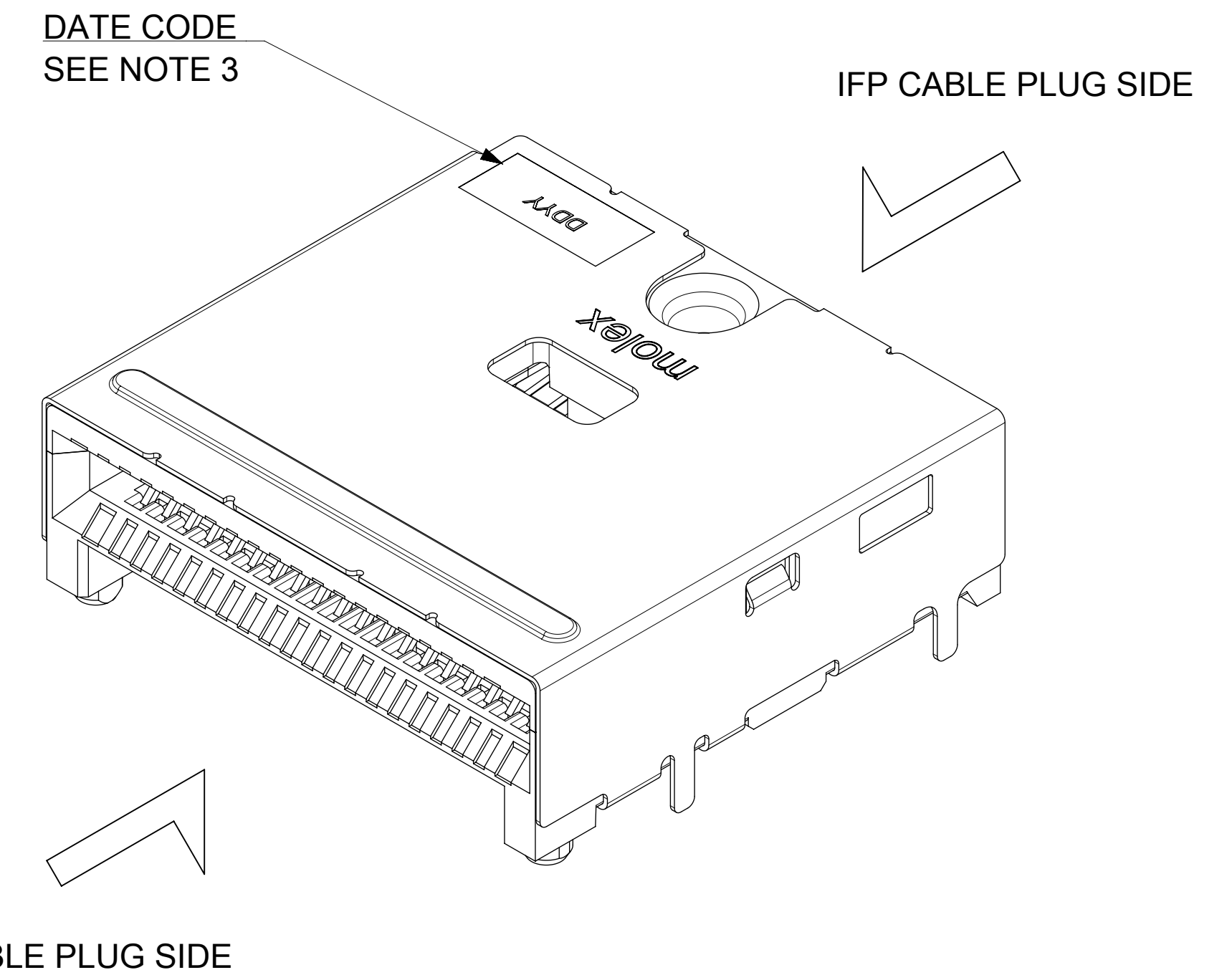
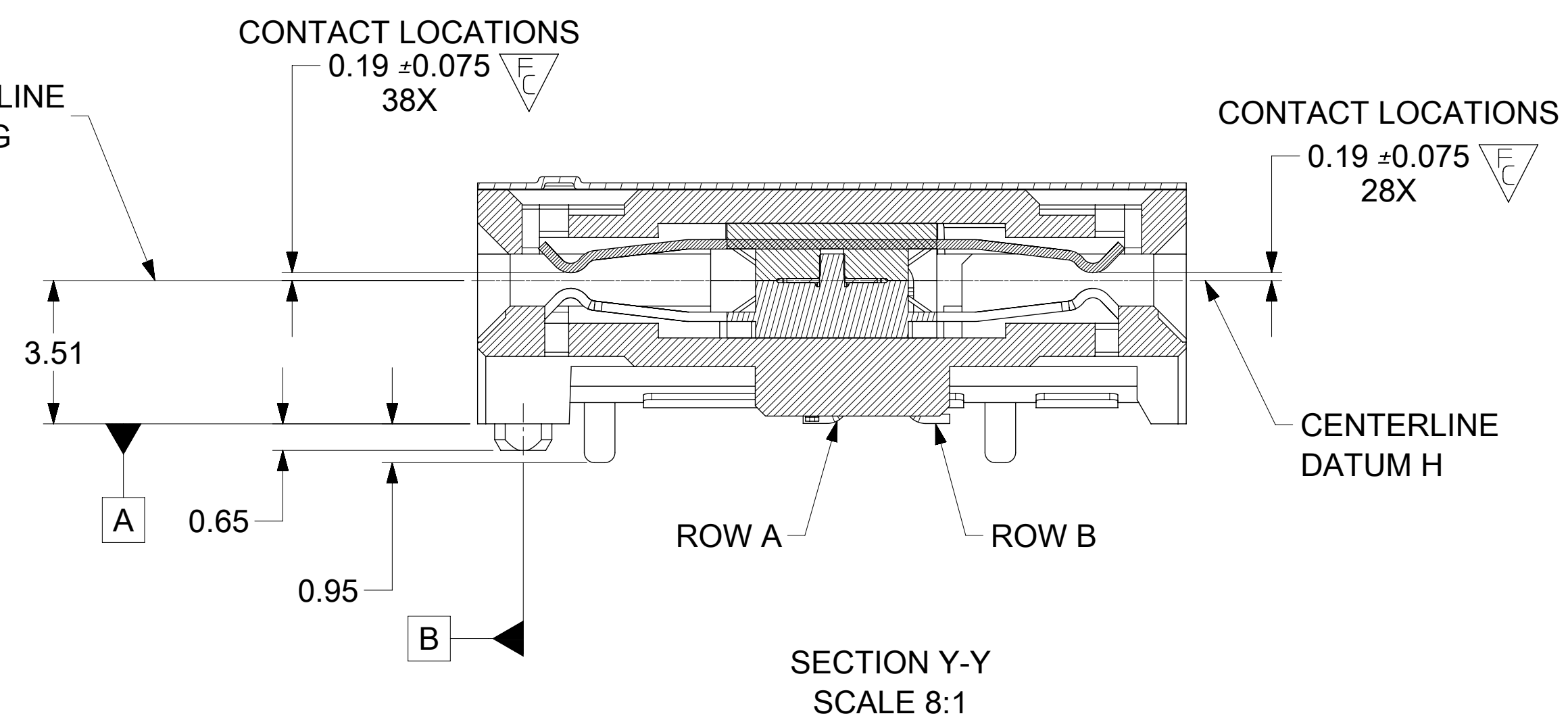
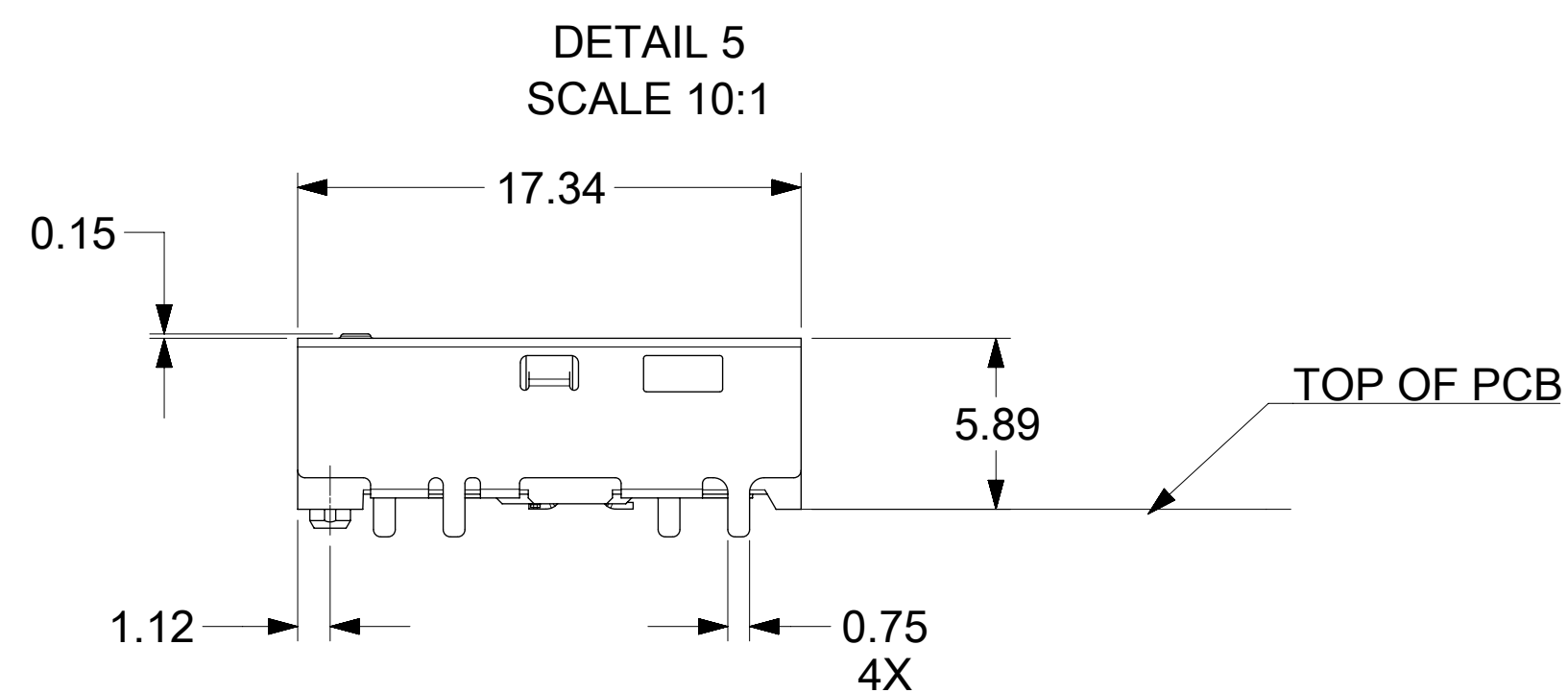
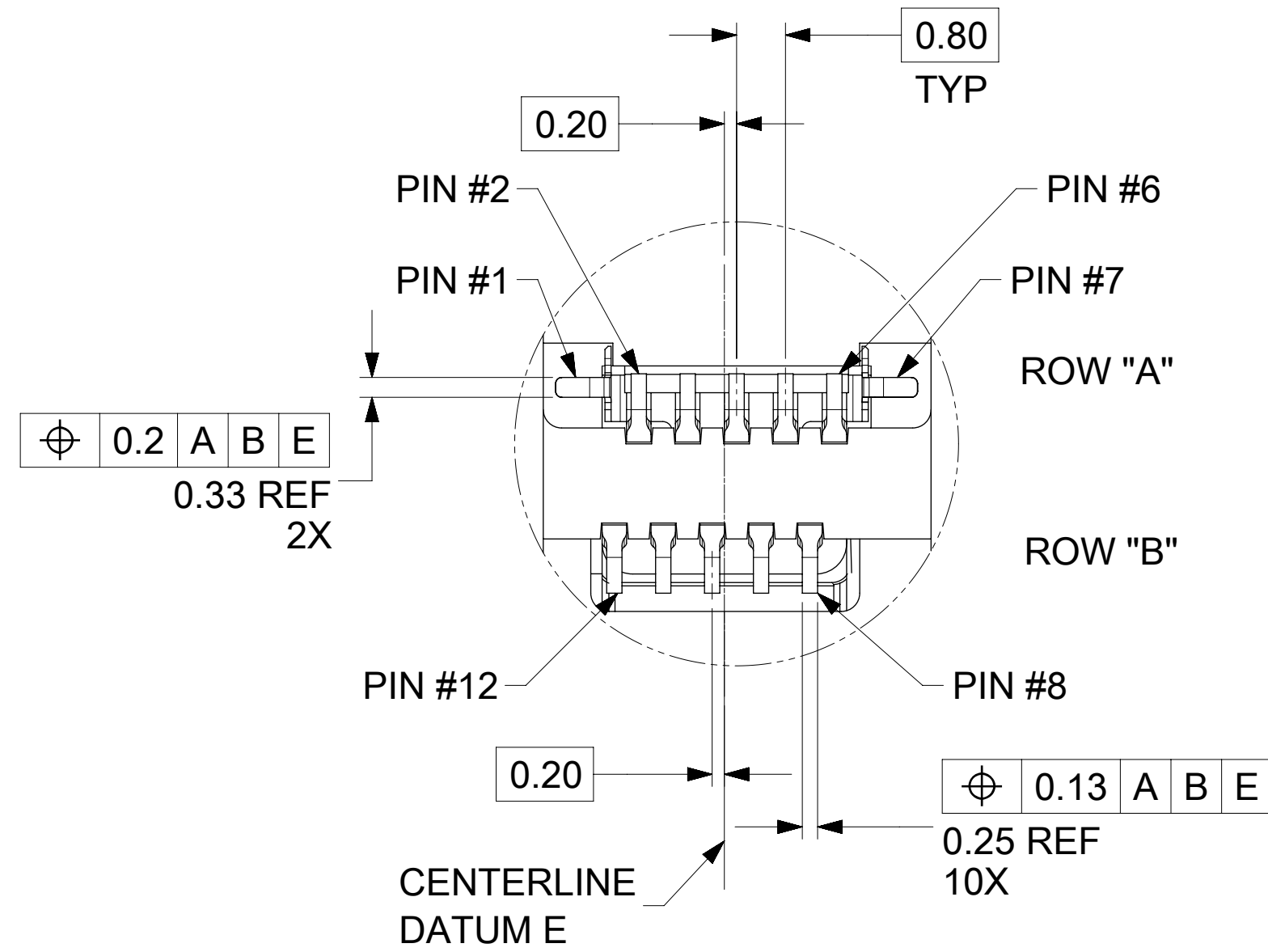
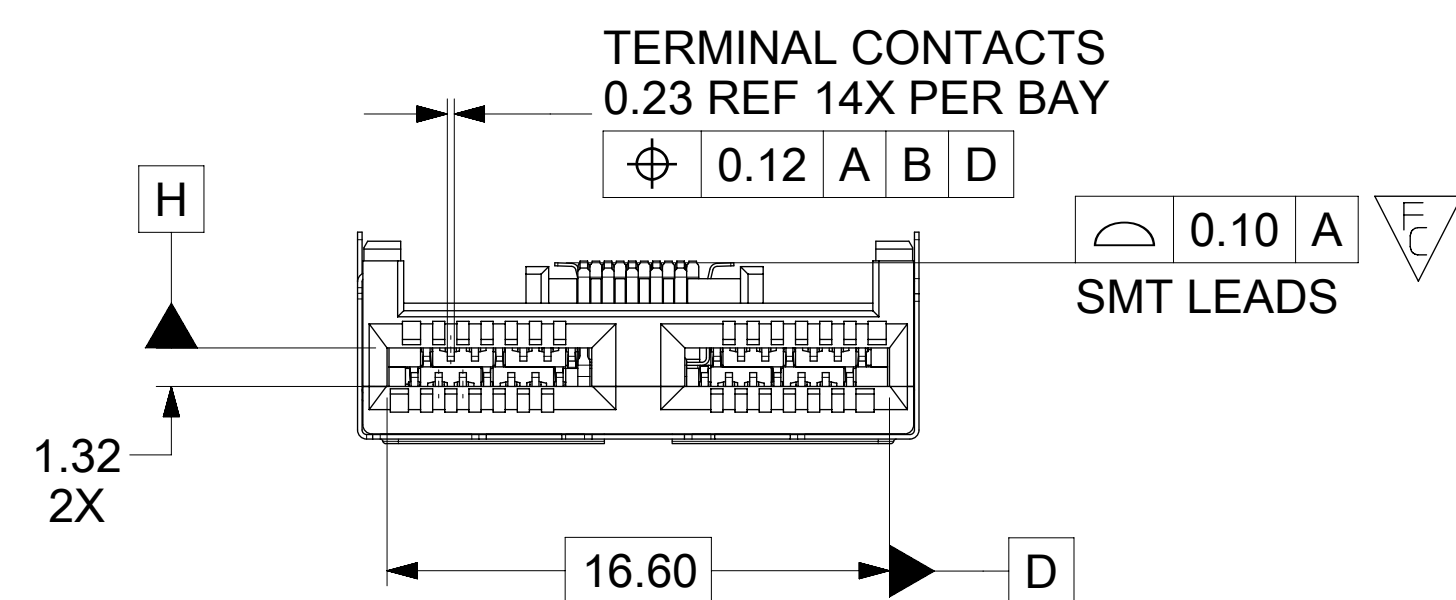
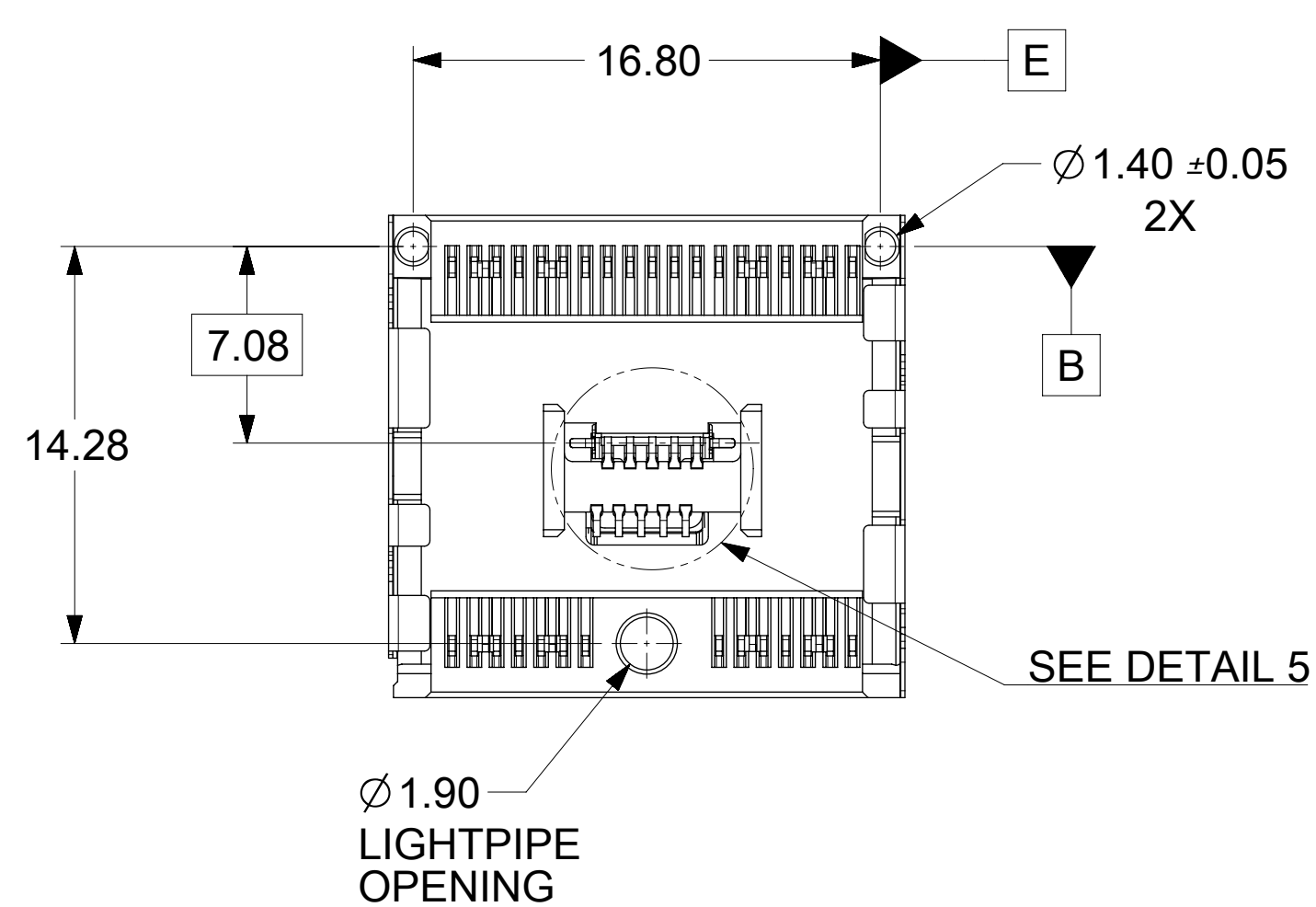
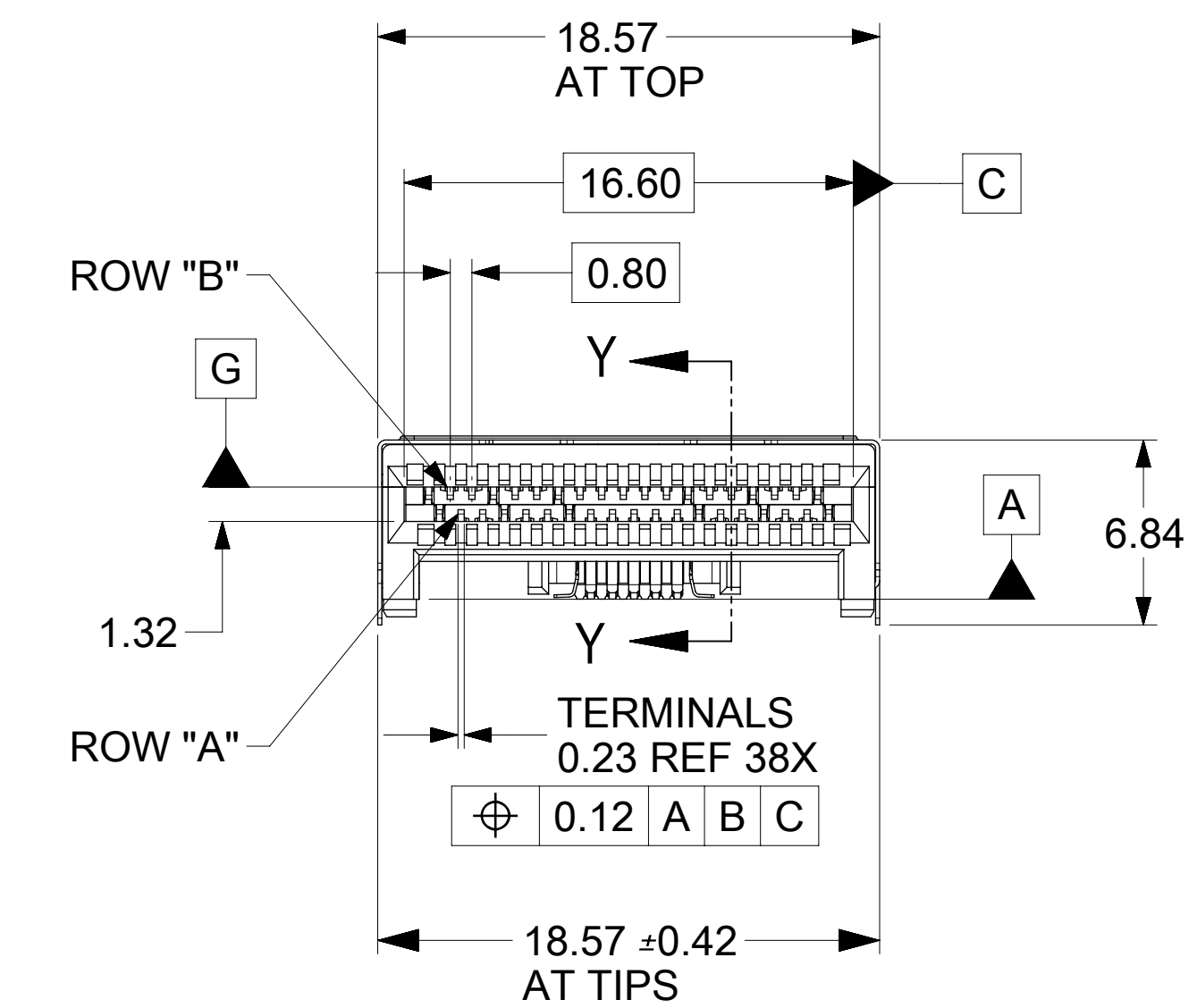
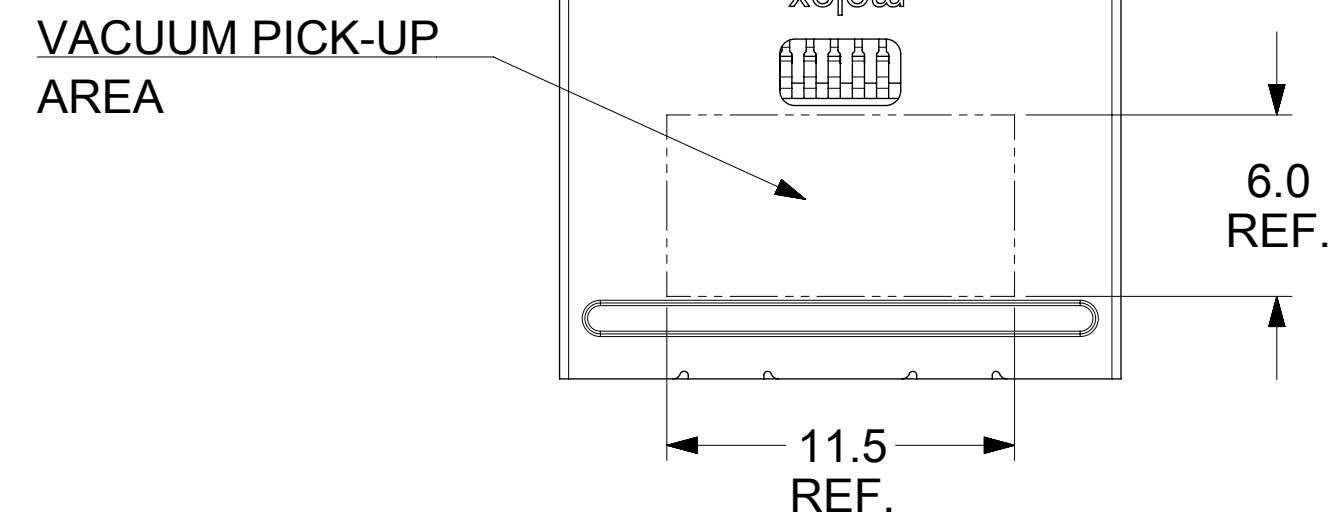
FRONT OF CONNECTOR  
 (PLUG MODULE SIDE)

QUALITY SYMBOLS ▽ = 0 ▽ = 0 ▽ = 0 ▽ = 0 ▽ = 0 ▽ = 0 ▽ = 0 ▽ = 0 ▽ = 0 ▽ = 0	THIS DRAWING CONTAINS INFORMATION THAT IS PROPRIETARY TO MOLEX ELECTRONIC TECHNOLOGIES, LLC AND SHOULD NOT BE USED WITHOUT WRITTEN PERMISSION		DIMENSION UNITS <b>MM ONLY</b>	SCALE <b>4:1</b>		
	GENERAL TOLERANCES (UNLESS SPECIFIED) ANGULAR TOL ± 0.5 ° 4 PLACES ± 3 PLACES ± 2 PLACES ± 0.13 1 PLACE ± 0.25 0 PLACES ± DRAFT WHERE APPLICABLE MUST REMAIN WITHIN DIMENSIONS	DRWN BY <b>MWOLFE</b>	DATE <b>2016/07/01</b>	APPR BY <b>SMILLER</b>		DATE <b>2017/05/19</b>
EC NO: 606274 DRWN: ABN CHKD: MSTRACK REV APPR: RNELSON	REV TAIL POSITIONS 2017/09/05 2018/10/01 2018/10/04	DRAWING SIZE <b>D</b>	THIRD ANGLE PROJECTION	SERIES <b>172604</b>	MATERIAL NUMBER <b>172604-0002</b>	CUSTOMER <b>GENERAL</b>
RELEASE STATUS <b>P1</b>	RELEASE DATE <b>2018/10/04 14:05:16</b>	DOCUMENT NUMBER <b>SD-172604-0002</b>	DOC TYPE <b>PSD</b>	DOC PART <b>001</b>	SHEET NUMBER <b>2 OF 3</b>	



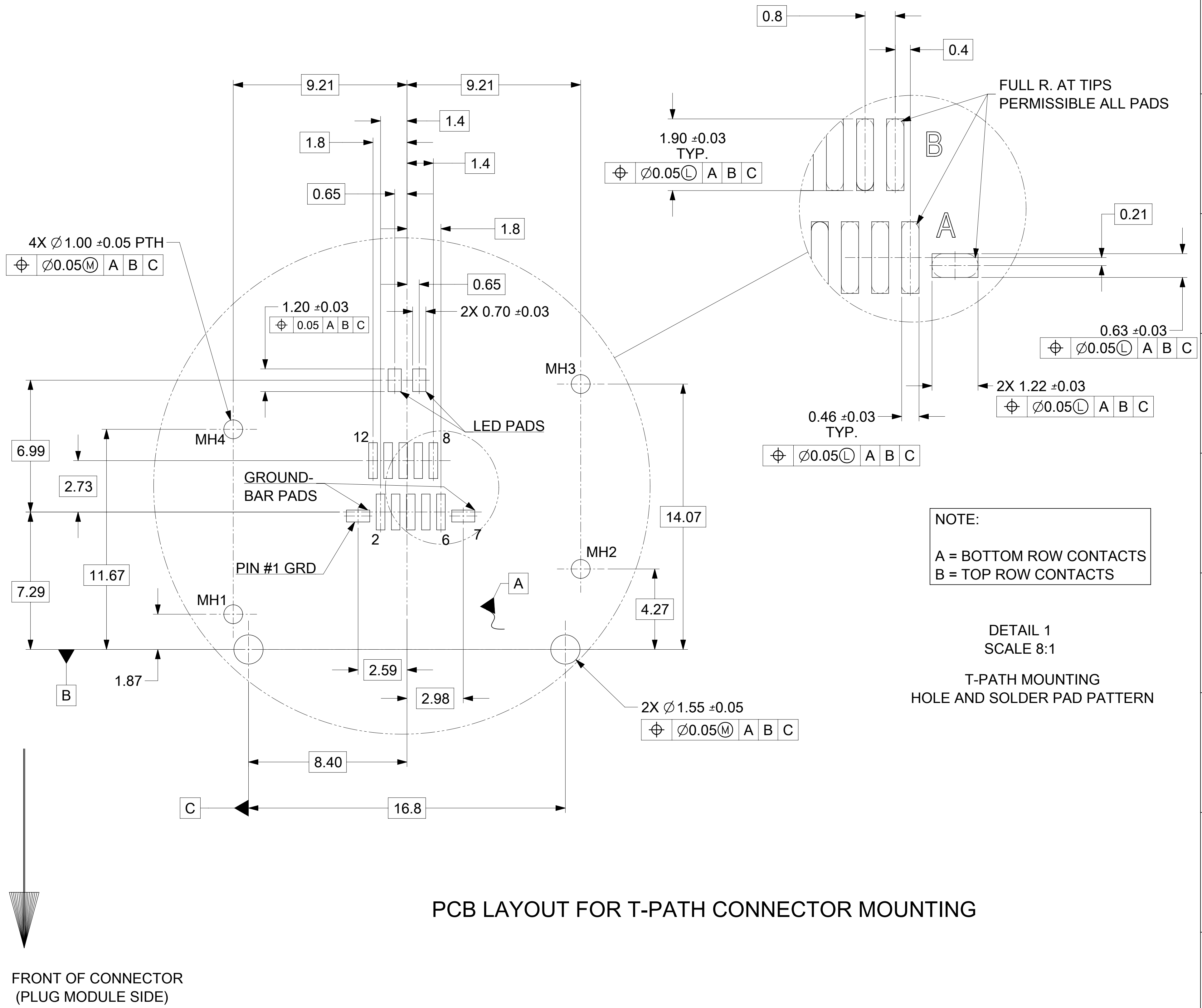
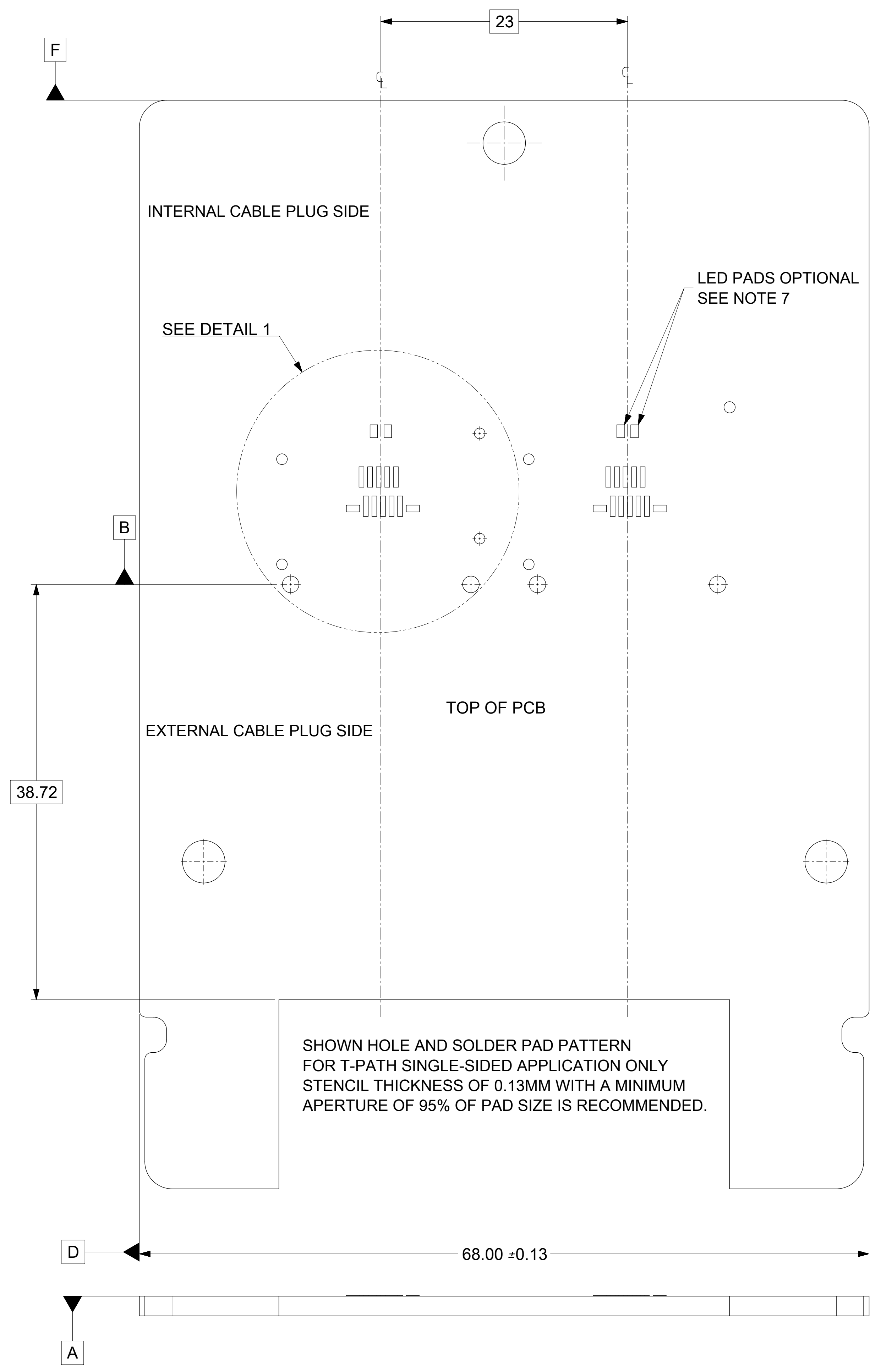
**T-PATH CONNECTOR AND EMI CAGE  
KEEP-OUT ZONES**

<b>QUALITY SYMBOLS</b> 	THIS DRAWING CONTAINS INFORMATION THAT IS PROPRIETARY TO MOLEX ELECTRONIC TECHNOLOGIES, LLC AND SHOULD NOT BE USED WITHOUT WRITTEN PERMISSION									
	<b>GENERAL TOLERANCES (UNLESS SPECIFIED)</b> DIMENSION UNITS: <b>MM ONLY</b> SCALE: <b>4:1</b>								<b>T-PATH CONNECTOR HARDTOP ASSEMBLY</b>	
	DRWN BY: <b>MWOLFE</b> DATE: <b>2016/07/01</b>									
	ANGULAR TOL $\pm 0.5^\circ$ 4 PLACES $\pm$ 3 PLACES $\pm$ 2 PLACES $\pm 0.13$ 1 PLACE $\pm 0.25$ 0 PLACES $\pm$		CHKD BY: <b>SMILLER</b> DATE: <b>2017/05/19</b>		APPR BY: <b>SMILLER</b> DATE: <b>2017/05/19</b>		SERIES: <b>172604</b> MATERIAL NUMBER: <b>172604-0002</b> CUSTOMER: <b>GENERAL</b>			
	DRAFT WHERE APPLICABLE MUST REMAIN WITHIN DIMENSIONS		DRAWING SIZE: <b>D</b>		THIRD ANGLE PROJECTION		DOCUMENT NUMBER: <b>SD-172604-0002</b> DOC TYPE: <b>PSD</b> DOC PART: <b>001</b> SHEET NUMBER: <b>3 OF 3</b>			
	REV TAIL POSITIONS EC NO: 606274 DRWN: ABN CHKD: MSTRACK REV APPR: RNELSON		2017/09/05 2018/10/01 2018/10/04		67.9 REF.		67.9 REF.			
	2017/09/05 2018/10/01 2018/10/04		67.9 REF.		67.9 REF.		67.9 REF.			
	67.9 REF.		67.9 REF.		67.9 REF.		67.9 REF.			
	67.9 REF.		67.9 REF.		67.9 REF.		67.9 REF.			

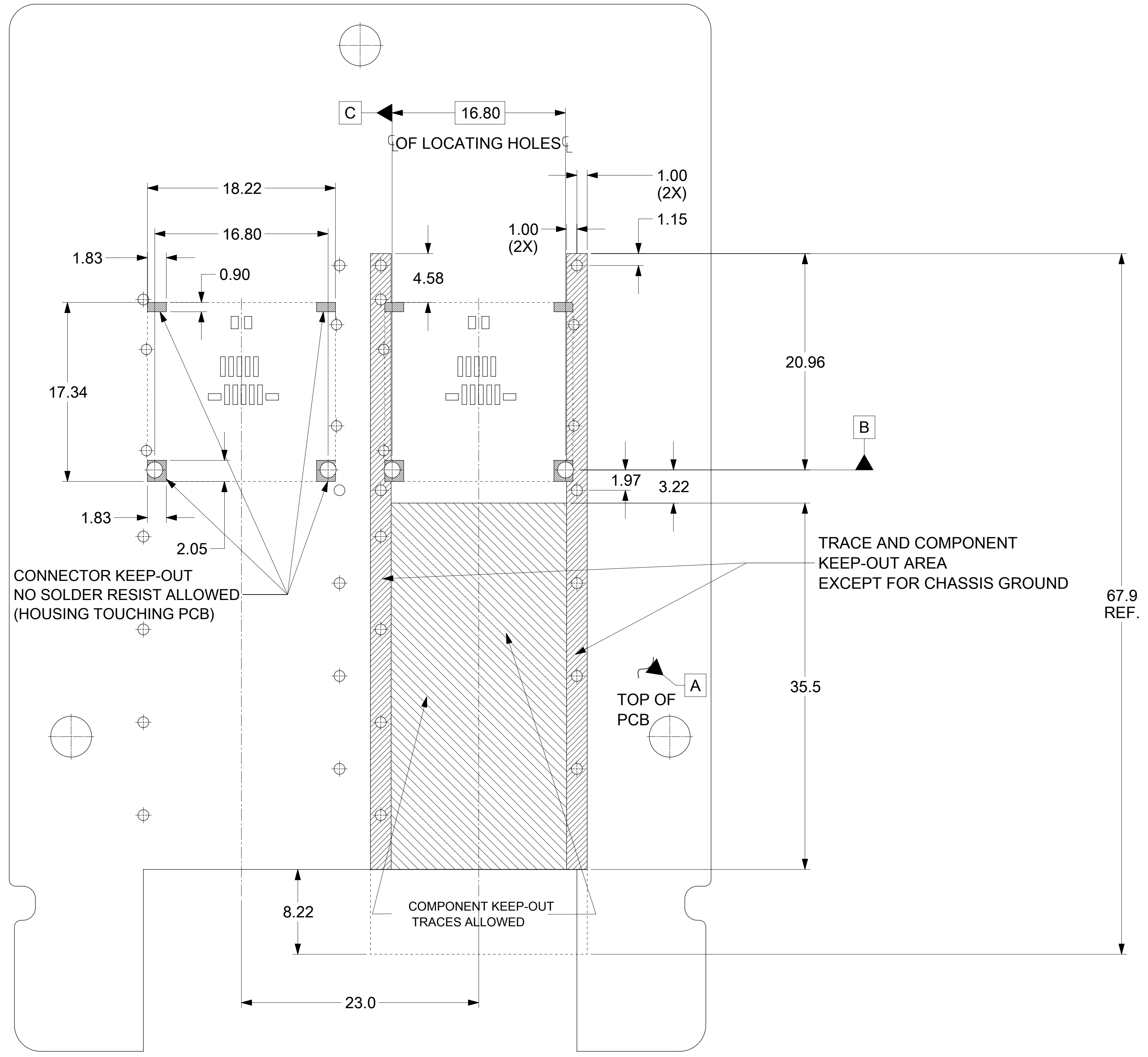


- NOTES:
- MATERIAL - HOUSING - HALOGEN FREE GLASS FILLED, LCP  
UL 94V-0, COLOR: BLACK  
SHELLS: 0.15 THICK NICKEL-SILVER ALLOY, UNPLATED  
TERMINALS - HIGH PERFORMANCE COPPER ALLOY
  - PLATING - CONTACT AREA - 0.76 µm MIN GOLD OVER 2.54 µm NICKEL  
SOLDER AREA - 2.54 -5.09 µm TIN OVER 2.54 µm MIN NICKEL
  - DATE CODE: 4 DIGIT (3 DIGIT DAY, 1 DIGIT YEAR)
  - CONFORMS TO PRODUCT SPECIFICATION: PS-172604-0001
  - CONNECTOR ASSEMBLY IS RoHS AND LOW HALOGEN COMPLIANT
  - DIMENSIONS AND TOLERANCES CONFORM TO AMSE Y14.5 2009
  - LED IS OPTIONAL. RECOMMENDED LED PACKAGE: 1608/0603 0.4mm HIGH MAX.
  - PACKAGING: TAPE AND REEL. PER PK-172604-9001.
  - CONNECTOR TO BE USED IN CONJUNCTION WITH EMI CAGES SHOWN ON DRAWING SD-172604-2100
  - IFP CABLE PLUG TO HAVE 1.0mm THICK PCB.

QUALITY SYMBOLS		THIS DRAWING CONTAINS INFORMATION THAT IS PROPRIETARY TO MOLEX ELECTRONIC TECHNOLOGIES, LLC AND SHOULD NOT BE USED WITHOUT WRITTEN PERMISSION		GENERAL TOLERANCES (UNLESS SPECIFIED)		DIMENSION UNITS		SCALE				
⊕ = 0	∠ = 3	∇ = 0	∇ = 0	∇ = 0	∇ = 0	mm	4:1	DRWN BY DATE				
∇ = 0	∇ = 0	∇ = 0	∇ = 0	∇ = 0	∇ = 0	ANGULAR TOL ± 0.5 °		MWOLFE 2017/05/12		PRODUCT CUSTOMER DRAWING		
∇ = 0	∇ = 0	∇ = 0	∇ = 0	∇ = 0	∇ = 0	4 PLACES ±		CHKD BY DATE		SERIES MATERIAL NUMBER CUSTOMER		
∇ = 0	∇ = 0	∇ = 0	∇ = 0	∇ = 0	∇ = 0	3 PLACES ±		BBARKER 2017/05/12		172604 172604-0003 GENERAL		
∇ = 0	∇ = 0	∇ = 0	∇ = 0	∇ = 0	∇ = 0	2 PLACES ± 0.13		APPR BY DATE		DOCUMENT NUMBER DOC TYPE DOC PART SHEET NUMBER		
∇ = 0	∇ = 0	∇ = 0	∇ = 0	∇ = 0	∇ = 0	1 PLACE ± 0.25		SMILLER 2017/05/19		SD-172604-0003 PSD 001 1 OF 3		
∇ = 0	∇ = 0	∇ = 0	∇ = 0	∇ = 0	∇ = 0	0 PLACES ±		DRAWING SIZE THIRD ANGLE PROJECTION				
∇ = 0	∇ = 0	∇ = 0	∇ = 0	∇ = 0	∇ = 0	DRAFT WHERE APPLICABLE MUST REMAIN WITHIN DIMENSIONS		D				
∇ = 0	∇ = 0	∇ = 0	∇ = 0	∇ = 0	∇ = 0							



QUALITY SYMBOLS	THIS DRAWING CONTAINS INFORMATION THAT IS PROPRIETARY TO MOLEX ELECTRONIC TECHNOLOGIES, LLC AND SHOULD NOT BE USED WITHOUT WRITTEN PERMISSION		GENERAL TOLERANCES (UNLESS SPECIFIED)		DIMENSION UNITS	SCALE			
▽ = 0 ▽ = 0 ▽ = 0 ▽ = 0 ▽ = 0 ▽ = 0 ▽ = 0 ▽ = 0	EC NO: 170877 DRWN: ABN CHKD: SVANG01 REV APPR: SMILLER	2018/01/09 2018/01/15 2018/01/24	4 PLACES ± 3 PLACES ± 2 PLACES ± 0.13 1 PLACE ± 0.25 0 PLACES ±	mm DATE: 2017/05/12 DATE: 2017/05/12 DATE: 2017/05/19	mm	4:1			
REV TAIL POSITIONS	DRAFT WHERE APPLICABLE MUST REMAIN WITHIN DIMENSIONS		DRAFT WHERE APPLICABLE MUST REMAIN WITHIN DIMENSIONS		DRAWING SIZE		THIRD ANGLE PROJECTION		
A1	D		D		D		PRODUCT CUSTOMER DRAWING SERIES: 172604 MATERIAL NUMBER: 172604-0003 CUSTOMER: GENERAL DOCUMENT NUMBER: SD-172604-0003 DOC TYPE: PSD DOC PART: 001 SHEET NUMBER: 2 OF 3		



**T-PATH CONNECTOR AND EMI CAGE  
KEEP-OUT ZONES**

THIS DRAWING CONTAINS INFORMATION THAT IS PROPRIETARY TO MOLEX ELECTRONIC TECHNOLOGIES, LLC AND SHOULD NOT BE USED WITHOUT WRITTEN PERMISSION																	
QUALITY SYMBOLS	REV TAIL POSITIONS		GENERAL TOLERANCES (UNLESS SPECIFIED)		DIMENSION UNITS	SCALE											
	2018/01/09	2018/01/15	ANGULAR TOL ± 0.5 °		mm	4:1											
▽ = 0	EC NO: 170877	DRWN: ABN	CHKD: SVANG01	2 PLACES ± 0.13	DRWN BY	DATE	<b>T-PATH CONNECTOR HARDTOP ASSEMBLY</b>										
▽ = 0	2018/01/24	SMILLER	SMILLER	3 PLACES ±	MWOLFE	2017/05/12											
▽ = 0	REV: APPR: SMILLER		1 PLACE ± 0.25	2 PLACES ±	CHKD BY	DATE	<b>PRODUCT CUSTOMER DRAWING</b>										
▽ = 0	REV: APPR: SMILLER		0 PLACES ±	1 PLACE ±	BBARKER	2017/05/12											
▽ = 0	REV: APPR: SMILLER		DRAFT WHERE APPLICABLE MUST REMAIN WITHIN DIMENSIONS	0 PLACES ±	APPR BY	DATE	<table border="1"> <tr> <td>SERIES</td> <td>MATERIAL NUMBER</td> <td>CUSTOMER</td> </tr> <tr> <td>172604</td> <td>172604-0003</td> <td>GENERAL</td> </tr> </table>			SERIES	MATERIAL NUMBER	CUSTOMER	172604	172604-0003	GENERAL		
SERIES	MATERIAL NUMBER	CUSTOMER															
172604	172604-0003	GENERAL															
▽ = 0	REV: APPR: SMILLER			0 PLACES ±	SMILLER	2017/05/19	<table border="1"> <tr> <td>DOCUMENT NUMBER</td> <td>DOC TYPE</td> <td>DOC PART</td> <td>SHEET NUMBER</td> </tr> <tr> <td>SD-172604-0003</td> <td>PSD</td> <td>001</td> <td>3 OF 3</td> </tr> </table>			DOCUMENT NUMBER	DOC TYPE	DOC PART	SHEET NUMBER	SD-172604-0003	PSD	001	3 OF 3
DOCUMENT NUMBER	DOC TYPE	DOC PART	SHEET NUMBER														
SD-172604-0003	PSD	001	3 OF 3														
▽ = 0	REV: APPR: SMILLER			0 PLACES ±	DRAWING SIZE	THIRD ANGLE PROJECTION											
▽ = 0	REV: APPR: SMILLER			0 PLACES ±	D												