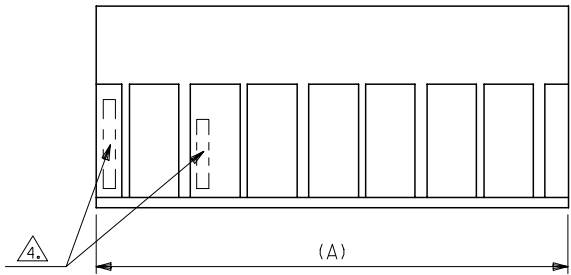
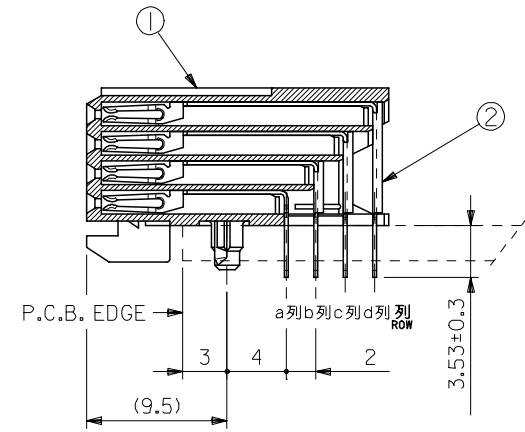
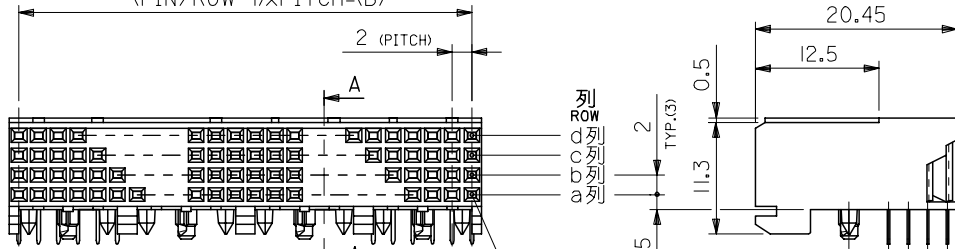


10 9 8 7 6 5 4 3 2 1

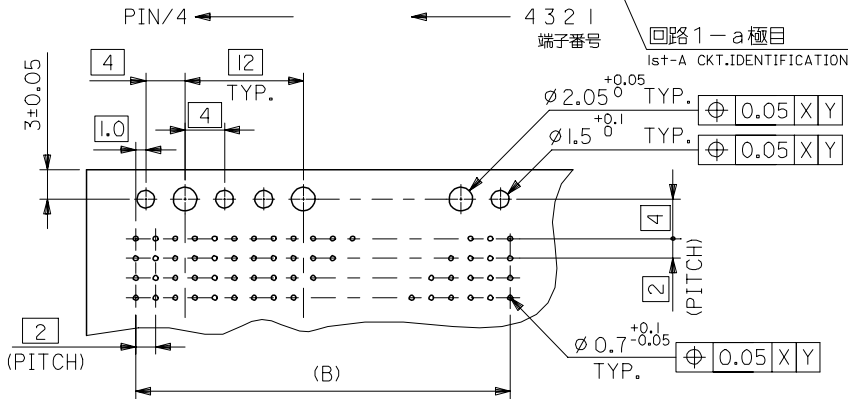
| 番号<br>No. | 部品<br>PART NAME                     | 材質<br>MATERIAL   | 仕上げ<br>FINISH |
|-----------|-------------------------------------|--|---------------|
| ①         | リセプタクル ハウジング<br>RECEPTACLE HOUSING  | 液晶ポリマー、ガラス充填、自然色(白)、UL 94V-0<br>LIQUID CRYSTAL POLYMER, GLASS FILLED, NATURAL(WHITE), UL 94V-0 | —#—           |
| ②         | リセプタクル ターミナル<br>RECEPTACLE TERMINAL | リン青銅<br>PHOSPHOR BRONZE  | △             |



$$(PIN/ROW - 1) \times PITCH = (B)$$



A-A  
(NON-SCALE)



基板穴推奨寸法 (部品実装)

RECOMMENDED P.C.B. LAYOUT (COMPONENT SIDE)

注記  
NOTE :

- △ ターミナル めっき仕様  
TERMINAL PLATING  
金めっき: 0.38 μm MIN. (接点部)  
GOLD: 0.38 μm MIN. (CONTACT AREA)  
TIN: 1.0~2.5 μm. (半田付け部)  
TIN: 1.0~2.5 μm. (SOLDER AREA)  
ニッケルメッキ: 2.0 μm MIN. (下地めっき)  
NICKEL: 2.0 μm MIN. (UNDER PLATING)
- 2. 推奨基板厚: t=2.4mm  
RECOMMENDED P.C.B. THICKNESS: t=2.4mm
- 3. 適合プラグ: 53901-\*\*\*\*4, 55222-\*\*\*\*4, 55089-\*\*\*\*4  
APPLICABLE PLUG:
- △ 製品番号及びロットナンバー  
MATERIAL NO. & LOT NO.

|     |        |              |     |
|-----|--------|--------------|-----|
| 106 | 107.98 | 54867-2168   | 216 |
| 94  | 95.98  | 54867-1928   | 192 |
| 46  | 47.98  | 54867-0968   | 96  |
| 10  | 11.98  | 54867-0248   | 24  |
| B   | A      | MATERIAL NO. | PIN |

| MODIFICATION   | QUALITY SYMBOLS | GENERAL TOLERANCES (UNLESS SPECIFIED)   | DIMENSION STYLE  | SCALE  | DESIGN UNITS | THIRD ANGLE PROJECTION |
|--|-----------------|---|--|--|--------------|------------------------|
| EC NO: S542020075175<br>DRWN: FANG05 2007/04/10<br>CHKD: S42007304250000409<br>APPR: INCHEN 2007/04/18 | ▽=0<br>△=0      | mm INCH   | MM ONLY  | MM ONLY  | METRIC       | THIRD ANGLE PROJECTION |
|  |                 | 4 PLACES ± --- ± ---<br>3 PLACES ± --- ± ---<br>2 PLACES ± --- ± ---<br>1 PLACE ± --- ± --- | DRAWN BY DATE<br>HWWANG 04/09/26<br>CHECKED BY DATE<br>GMA 04/09/27<br>APPROVED BY DATE<br>VINCENT 04/09/26                      | TITLE<br>MFB B/B CONN<br>4ROW REC. ASS'Y<br>DIP TYPE (LEAD FREE) |              |                        |
|  |                 | ANGULAR ± 3°  | MATERIAL NO.   | DOCUMENT NO.   |              | SHEET NO.<br>1 OF 1    |
|  |                 | DRAFT WHERE APPLICABLE<br>MUST REMAIN<br>WITHIN DIMENSIONS                                  | SIZE<br>A3   | MOLEX INCORPORATED<br>SD-54867-006                               |              |                        |
|  |                 |   | THIS DRAWING CONTAINS INFORMATION THAT IS PROPRIETARY TO MOLEX<br>INCORPORATED AND SHOULD NOT BE USED WITHOUT WRITTEN PERMISSION |  |              |                        |