

NOTES:

1) MATERIALS:

HOUSING: GLASS FILLED LCP (LIQUID CRYSTAL POLYMER), UL 94V-0, BLACK.
 MOLDED STICK: GLASS FILLED LCP (LIQUID CRYSTAL POLYMER), UL 94V-0, BLACK.
 FEMALE CONTACT: BERYLLIUM COPPER .0100±.0005 THICK.
 OUTER SHELL: LOW CARBON STEEL.
 THREADED BOARD LOCK: BRASS.

2) PLATING :

CONTACT: .000030/(.00076) MINIMUM GOLD IN SELECTIVE AREA;
 .000100/(0.00254) MINIMUM TIN IN SELECTIVE AREA;
 OVER NICKEL UNDERPLATE OVERALL.

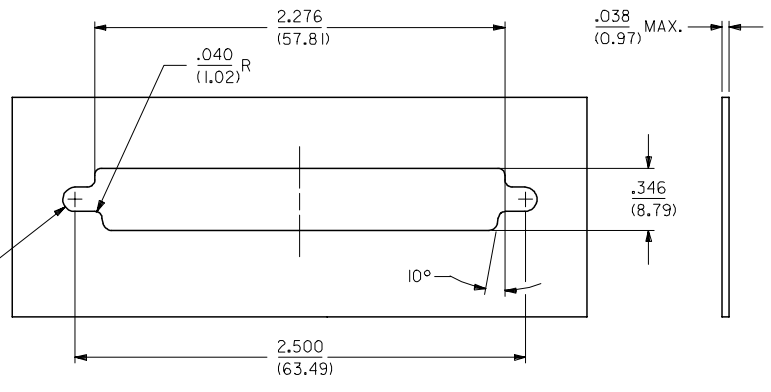
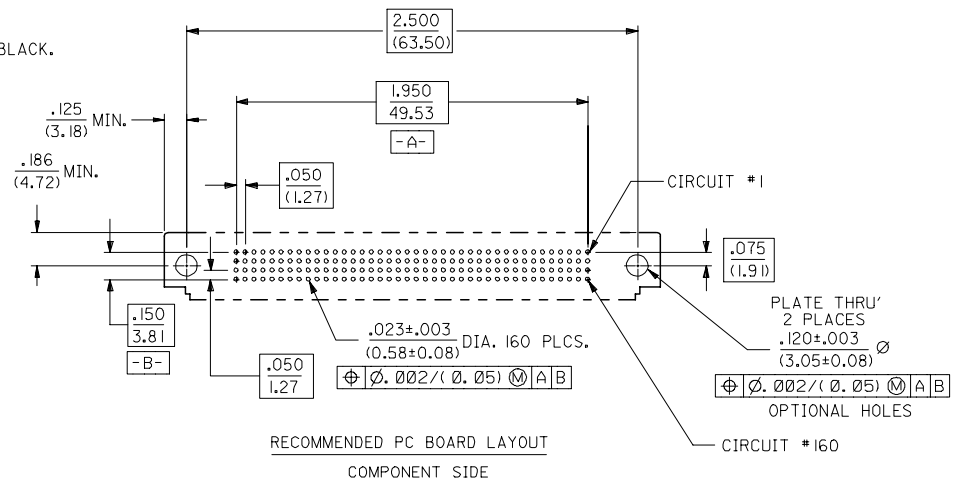
OUTER SHELL: .000100/(0.00254) MINIMUM BRIGHT NICKEL;
 OVER COPPER FLASH (OPTIONAL).

BOARDLOCK: .000150-.000200/(0.00381-0.00508) BRIGHT TIN;
 OVER .000050/(0.00127) MINIMUM NICKEL.

3) THIS PART CONFORMS TO MOLEX PRODUCT SPECIFICATION PS-71626.

4) PART COMPLIES WITH CLASS B OF COSMETIC SPECIFICATION PS-45499-002

NOTE FOR LEAD FREE CONVERSION:
 THE PRIMARY SHIPPING CARTON WILL BE
 LABELED "COMPLIANT TO RoHS DIRECTIVE
 2002/95/EC AND ELV ANNEX II OF
 DIRECTIVE 2000/53/EC". CARTONS
 WITHOUT THIS LABEL MAY CONTAIN
 PRODUCT WITH LEAD.

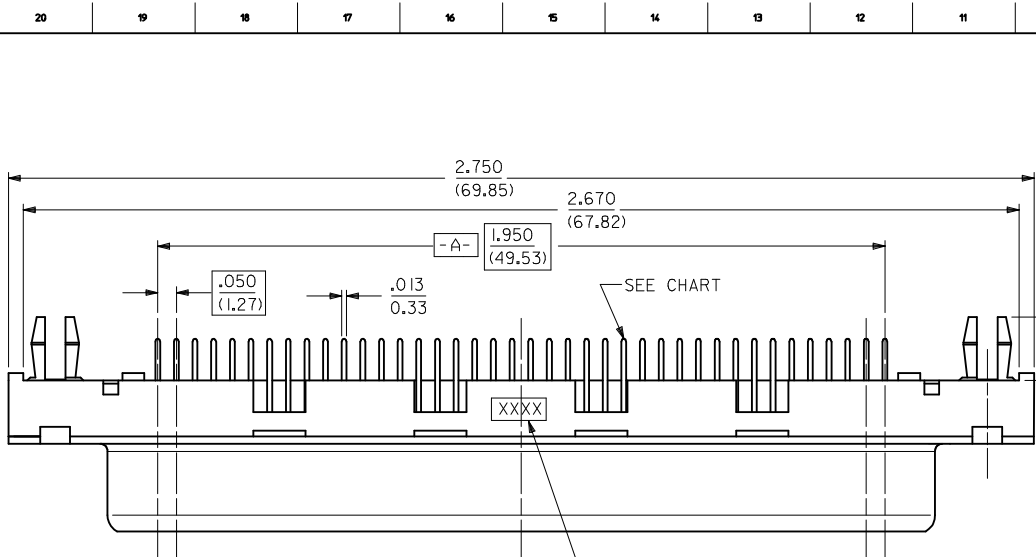


PANEL CUT-OUT DIMENSIONS
 ALL TOLERANCES ±.003/(0.08)
 UNLESS OTHERWISE STATED.

ADD NOTE 4 EC NO: UCP2006-3051 2006/07/10 DRAWN BY: BARRA 2006/07/10 CHKD: MORGAN 2006/07/10 APPR: MILLER 2006/07/11	QUALITY SYMBOLS ▽=0 ▽=0	GENERAL TOLERANCES (UNLESS SPECIFIED)		DIMENSION STYLE IN/MM		SCALE 2:1	DESIGN UNITS INCH	THIRD ANGLE PROJECTION		
		4 PLACES ± --- ± ---	3 PLACES ± --- ± ---	2 PLACES ± --- ± ---	1 PLACE ± --- ± ---	DRAWN BY MOS	DATE 1994/08/24	TITLE .050 PITCH LFH 160 CKT VERTICAL I/O FEMALE SALES ASSEMBLY		
		ANGULAR ±1/2°				CHECKED BY GF	DATE 1994/08/29	MATERIAL NO. DOCUMENT NO. SDA-71626-1***		
		DRAFT WHERE APPLICABLE MUST REMAIN WITHIN DIMENSIONS				APPROVED BY GF	DATE 1994/08/29	SHEET NO. 2 OF 2		

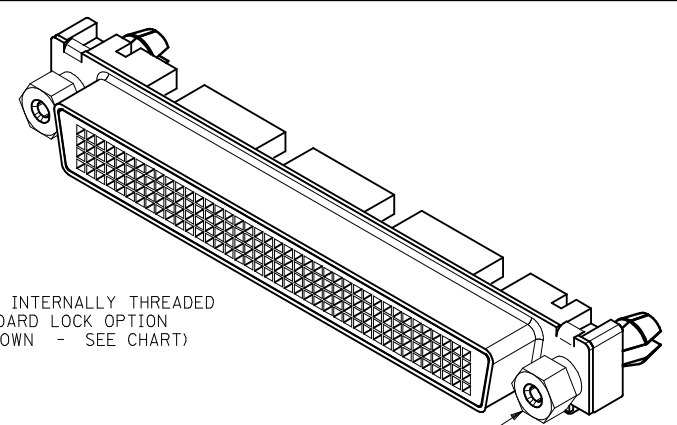
molex MOLEX INCORPORATED

THIS DRAWING CONTAINS INFORMATION THAT IS PROPRIETARY TO MOLEX
 INCORPORATED AND SHOULD NOT BE USED WITHOUT WRITTEN PERMISSION

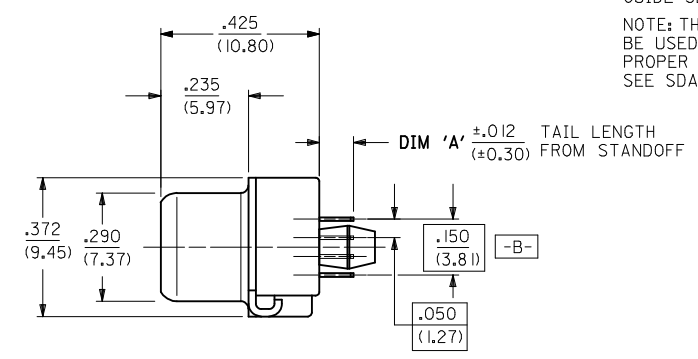
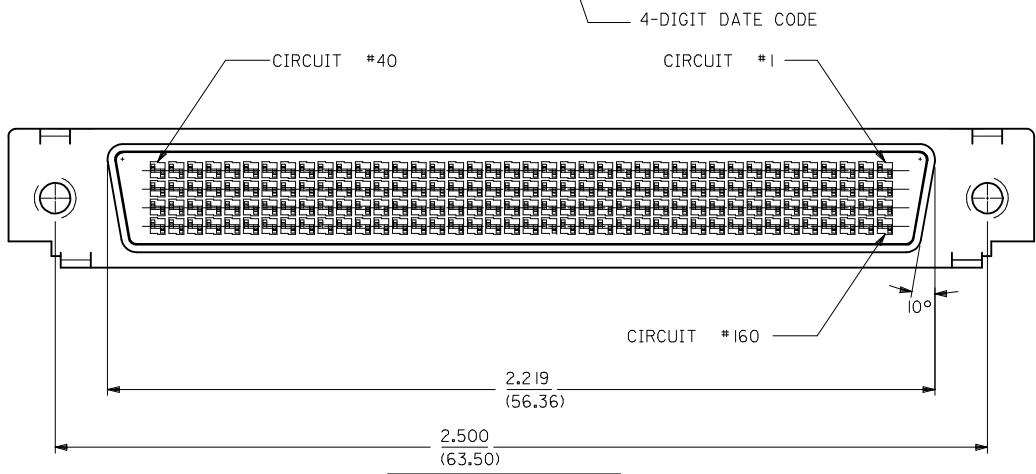


.150 (3.81)
M3 INTERNALLY THREADED
(BOARD LOCK OPTION
SHOWN - SEE CHART)

.020 (0.51)
STANDOFF HEIGHT



GUIDE SLEEVE
NOTE: THIS HARDWARE MUST
BE USED TO ENSURE
PROPER GROUNDING.
SEE SDA-71629-****.



		OPTIONS				
ENG. NUMBER	ITEM NUMBER	DIM 'A'	M3 INSERT	BOARDLOCK	PACKAGING SPEC.	TRUE-POSITION
A-71626-1000	051-24-1030	.092/(2.34)	YES	NO	PK-70873-297	⊕ .005/(0.13) Ⓜ A B
A-71626-1001	71626-1001	.092/(2.34)	YES	YES	PK-70873-297	⊕ .005/(0.13) Ⓜ A B
A-71626-1002	71626-1002	.092/(2.34)	NO	NO	PK-70873-297	⊕ .005/(0.13) Ⓜ A B
A-71626-1003	71626-1003	.125/(3.18)	YES	NO	PK-70873-297	⊕ .005/(0.13) Ⓜ A B
A-71626-1004	71626-1004	.125/(3.18)	YES	YES	PK-70873-297	⊕ .005/(0.13) Ⓜ A B
A-71626-1005	71626-1005	.125/(3.18)	NO	NO	PK-70873-297	⊕ .005/(0.13) Ⓜ A B
A-71626-1006	71626-1006	.177/(4.49)	YES	NO	PK-70873-1005	⊕ .020/(0.51) Ⓜ A B
A-71626-1007	71626-1007	.210/(5.33)	YES	NO	PK-70873-1005	⊕ .020/(0.51) Ⓜ A B

SEE SHEET 2 EC NO: UCP2010-0117 DRWNS/DANIELLY 2009/07/23 CHYK/DJORGAN 2009/07/24 APPR/SKILLER 2009/07/24	QUALITY SYMBOLS ▽=0 ▽=0	GENERAL TOLERANCES (UNLESS SPECIFIED): 4 PLACES ± mm ± INCH 3 PLACES ± --- ± --- 2 PLACES ± --- ± --- 1 PLACE ± --- ± --- ANGULAR ±1/2°	DIMENSION STYLE MM ONLY	SCALE METRIC	DESIGN UNITS THIRD ANGLE PROJECTION	
	DRAWN BY MOS	DATE 1994/08/29	CHECKED BY GF	DATE 1994/08/29	TITLE .050 PITCH LFH 160 CKT VERTICAL I/O FEMALE SALES ASSEMBLY	
	APPROVED BY GF	DATE 1994/08/29	MATERIAL NO. SEE TABLE		MOLEX INCORPORATED	
	DRAFT WHERE APPLICABLE MUST REMAIN WITHIN DIMENSIONS		DOCUMENT NO. SDA-71626-1****		SHEET NO. 1 OF 2	

NOTES:

1) MATERIALS:

HOUSING: GLASS FILLED LCP (LIQUID CRYSTAL POLYMER), UL 94V-0, BLACK.
 MOLDED STICK: GLASS FILLED LCP (LIQUID CRYSTAL POLYMER), UL 94V-0, BLACK.
 FEMALE CONTACT: HIGH PERFORMANCE COPPER ALLOY
 OUTER SHELL: LOW CARBON STEEL.
 THREADED BOARD LOCK: BRASS.

2) PLATING :

CONTACT: 30 microinches / 0.76 micrometer MIN. GOLD IN SELECTIVE AREA;
 100 microinches / 2.54 micrometers MIN. TIN SELECTIVE AREA;
 OVER NICKEL UNDERPLATE OVERALL.

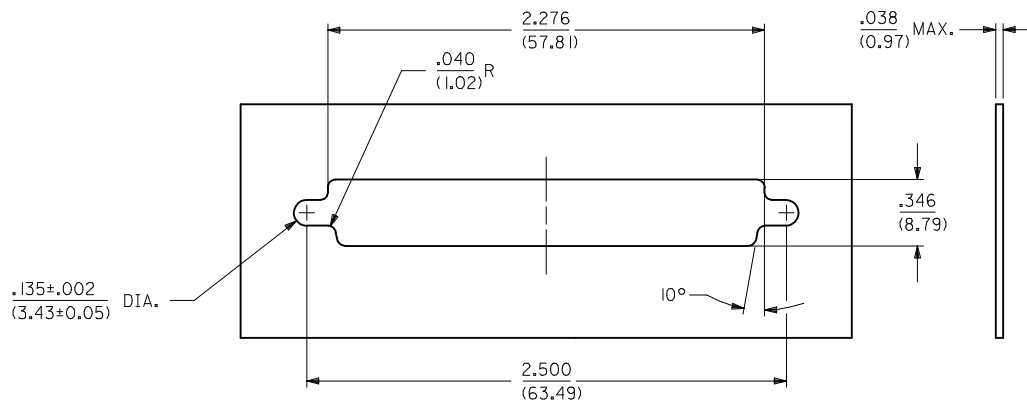
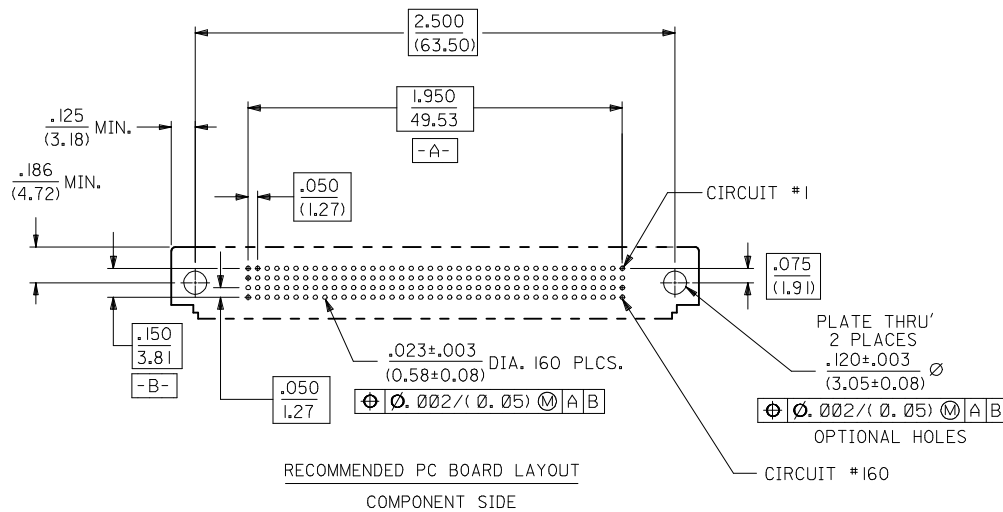
OUTER SHELL: 100 microinches / 2.54 micrometers MINIMUM BRIGHT NICKEL;
 OVER COPPER FLASH (OPTIONAL).

BOARDLOCK: 150 microinches / 3.81 micrometers MINIMUM BRIGHT TIN;
 NICKEL UNDERPLATE.

3) THIS PART CONFORMS TO MOLEX PRODUCT SPECIFICATION PS-71626.

4) PART COMPLIES WITH CLASS B OF COSMETIC SPECIFICATION PS-45499-002.

5) PARTS PACKAGED PER PK-70873-0299.



PANEL CUT-OUT DIMENSIONS
 ALL TOLERANCES ±.003/(0.08)
 UNLESS OTHERWISE STATED.

REVISE NOTES EC NO: UCP2010-0117 DRWNS: DANIELLY 2009/07/23 CHKD: DMORGAN 2009/07/24 APPR: SMILLER 2009/07/24	QUALITY SYMBOLS ▽=0 ▽=0	GENERAL TOLERANCES (UNLESS SPECIFIED)		DIMENSION STYLE MM ONLY		SCALE	DESIGN UNITS METRIC	THIRD ANGLE PROJECTION			
		4 PLACES ± --- ± ---	3 PLACES ± --- ± ---	2 PLACES ± --- ± ---	1 PLACE ± --- ± ---	DRAWN BY MOS	DATE 1994/08/29	TITLE	.050 PITCH LFH 160 CKT VERTICAL I/O FEMALE SALES ASSEMBLY		
		ANGULAR ±1/2°				CHECKED BY GF	DATE 1994/08/29	MOLEX INCORPORATED			
		DRAFT WHERE APPLICABLE MUST REMAIN WITHIN DIMENSIONS				APPROVED BY GF	DATE 1994/08/29	MATERIAL NO. SEE TABLE	DOCUMENT NO. SDA-71626-1****	SHEET NO. 2 OF 2	

THIS DRAWING CONTAINS INFORMATION THAT IS PROPRIETARY TO MOLEX INCORPORATED AND SHOULD NOT BE USED WITHOUT WRITTEN PERMISSION