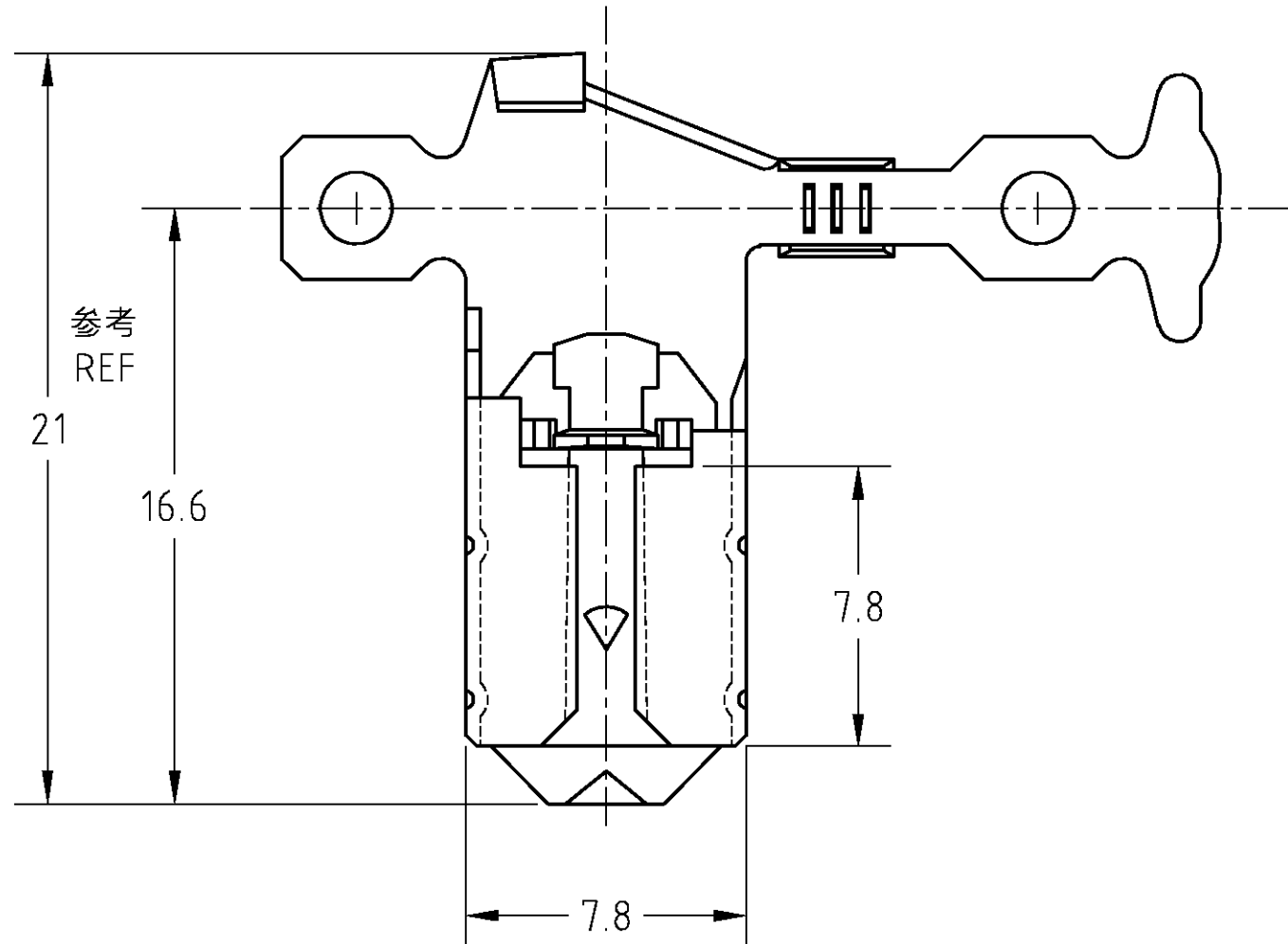


THIS DRAWING IS UNPUBLISHED. RELEASED FOR PUBLICATION
 © COPYRIGHT BY TYCO ELECTRONICS CORPORATION. ALL RIGHTS RESERVED.

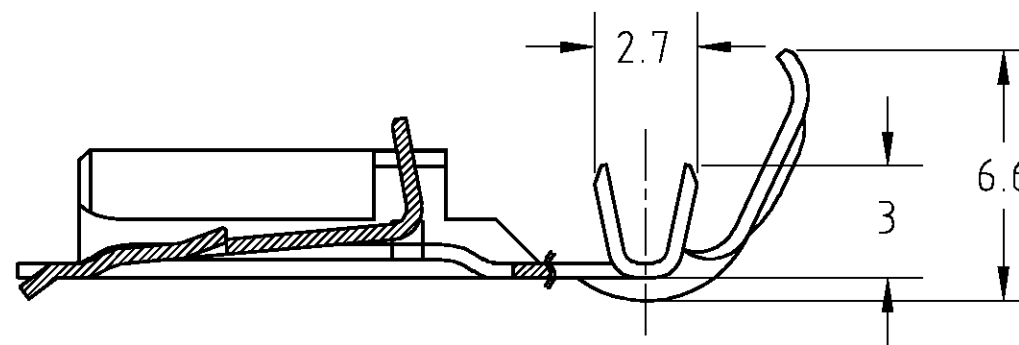
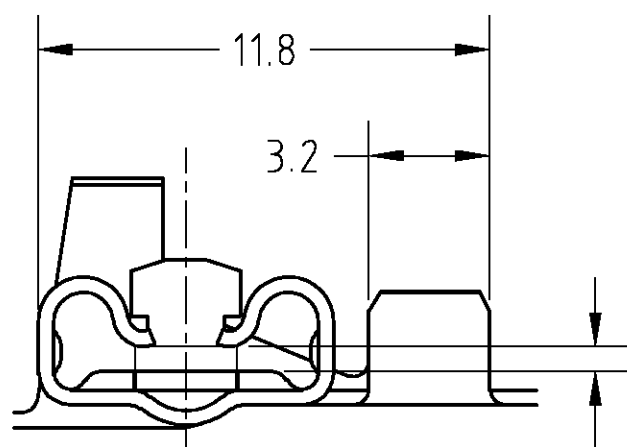
LOC	DIST	REVISIONS					
		P	LTR	DESCRIPTION	DATE	DWN	APVD
J	—	B		REDRAWN WITH CHANGE ECR-05-001810	18APR.'05	J.S	N.Y



- 注：
 1. 一般公差 ±0.3, ±3°
 2. 適用ハウジング型番：172469
 3. 取扱説明書番号：15-212J

- NOTES:
 1. GENERAL TOLERANCE ±0.3, ±3°
 2. APPLICABLE HOUSING P/N: 172469
 3. APPLICABLE INSTRUCTION SHEET: 15-212J

172762-1	錫めっき済 黄銅 PRE-TIN BRASS	172761-1
ばら状端子型番 LOOSE PIECE P/N	材 料 MATERIAL	型番 P/N



0.8厚タブとカン合
 MATE WITH 0.8mm THK TAB

THIS DRAWING IS A CONTROLLED DOCUMENT.		DWN J.SATO 18APR2005	Tyco Electronics AMP K.K. Kawasaki, Japan	
DIMENSIONS: 単位： 概 mm		CHK N.YAMASAKI 18APR2005	NAME 名称 250 SERIES FLAG POSITIVE LOCK (MARK-II) RECEPTACLE	
TOLERANCES UNLESS OTHERWISE SPECIFIED: 一般公差		APVD N.YAMASAKI 18APR2005	PRODUCT SPEC 製品規格 108-5162	
0 PLC ± 1 PLC ± 2 PLC ± 3 PLC ± 4 PLC ± ANGLES ±		APPLICATION SPEC 取付適用規格 114-5070	SIZE A3	CAGE CODE 00779
MATERIAL 材料 SEE TABLE		FINISH 仕上	DRAWING NO 番号 C-172761	
		WEIGHT		RESTRICTED TO —
		CUSTOMER DRAWING		SCALE 尺度 5:1
				SHEET 1 OF 1
				REV B