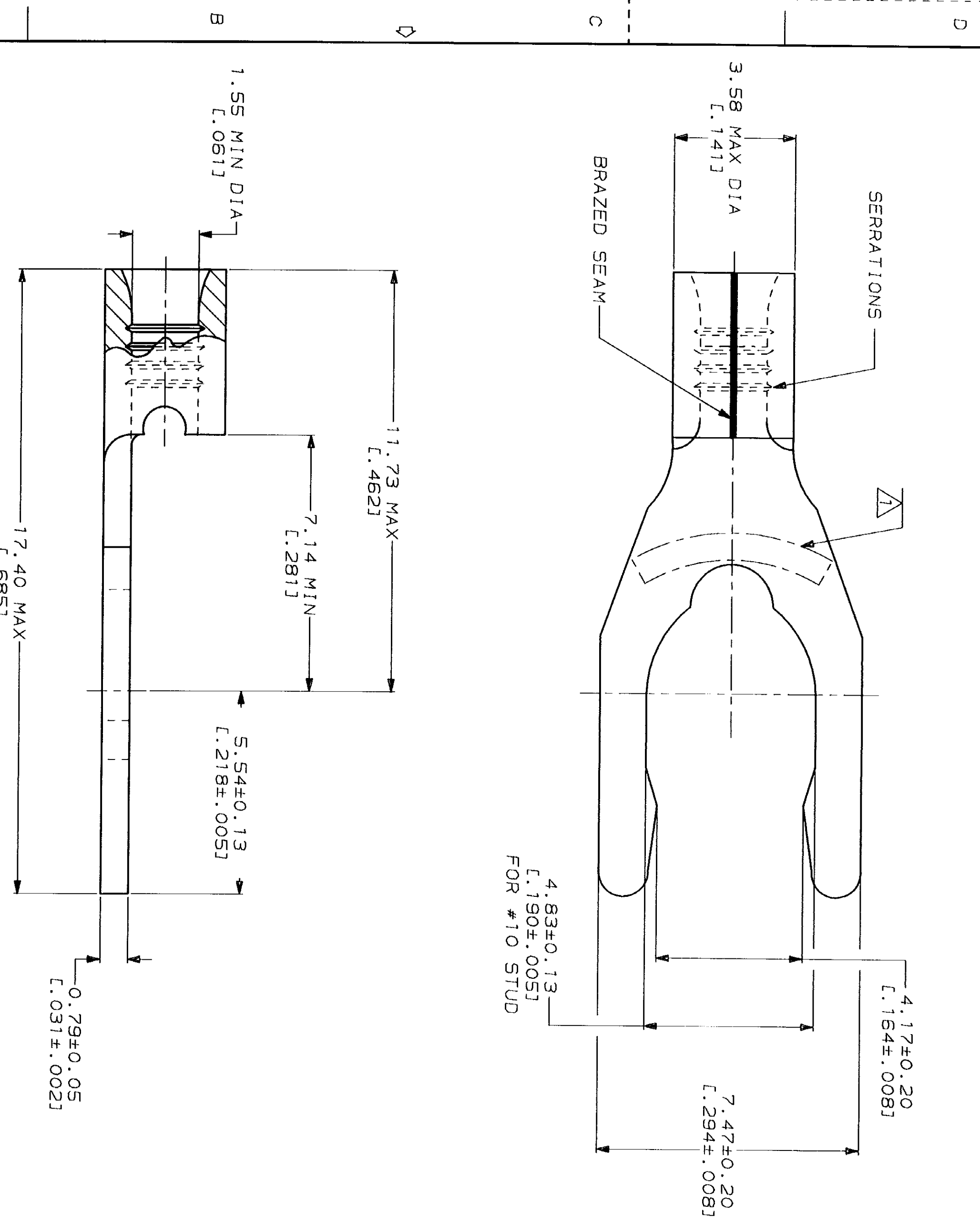


LOC	DIST	ZONE	LTR	DESCRIPTION	DATE	APPD
G	14	P	B	REV & REDRAWN PER 0720-0040-93	3-29-93	18 DAP

METRIC
 DIMENSIONS LISTED IN mm [INCHES]

AMP WIRE RANGE	UL E13288 Listed
22-16 AWG SOLID OR STRANDED	22-16 AWG SOLID OR STRANDED
LR7189 Certified	MILITARY P/N AND CLASS
22-16 AWG SOLID OR STRANDED	NOT APPLICABLE

⚠ STAMP 105 AMP 22-18* APPROX AS SHOWN
 22-16 TERMINALS ARE STAMPED 22-18 IN
 ACCORDANCE WITH MILITARY SPECIFICATION
 MIL-T-7928, COMMERCIAL WIRE RANGE IS 22-16
 105 INDICATES STUD SIZE



AMP INCORPORATED
CUSTOMER SERVICE SYSTEMS

FOR ADDITIONAL
 PRODUCT INFORMATION OR
 COPIES OF DRAWINGS
 AND TECHNICAL DOCUMENTS

FOR APPLICATION
 TOOLING INFORMATION

FOR ORDER ENTRY

PRODUCT INFORMATION CENTER
 1-800-522-6752

TOOLING ASSISTANCE CENTER
 1-800-722-1111

1-800-526-5142

MAX RECOMMENDED OPERATING
 TEMPERATURE:
 170°C MAX

VOLTAGE RATING:
 NOT APPLICABLE

WIRE CROSS SECTIONAL AREA RANGE:
 0.26-1.65mm² [509-3,260] CIR MILS
 SOLID OR STRANDED

DO NOT SCALE PRINT.
 UNLESS SPECIFIED
 DIMENSIONS IN mm [INCHES]
 TOLERANCES ON:
 2 PLC DEC # -
 3 PLC DEC # -
 ANGLES # -

MATERIAL
 PHOSPHOR BRONZE
 PER ASTM B-103
 ANNEALED

FINISH
 TIN PLATE
 0.00254 [L.000100] MIN
 THK PER MIL-T-10727

DR 3-29-93 TA BRINKMAN	DR 3-29-93 DA PATTERSON	APPD 3-29-93 DE MILLER	APPD 3-29-93 JL MECKLEY	APPLICATION SPEC	WEIGHT
5000	ON TAPE	53832-2	---	LOOSE PIECE	53832-1
QUANTITY		PACKAGING TYPE	PART NO		
		AMP	AMP Incorporated Harrisburg, PA 17105-3608		
		NAME	TERMINAL, SHORT SPRING SPADE, SOLISTRAND™		
		SIZE	CAGE CODE	DRAWING NO	
		SCALE	10:1	53832	
					SHEET 1 OF 1