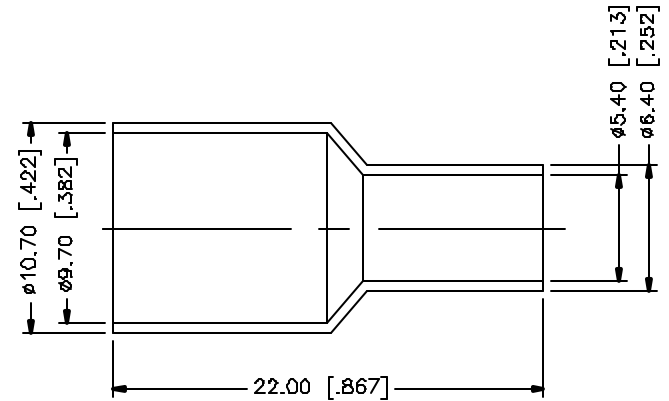
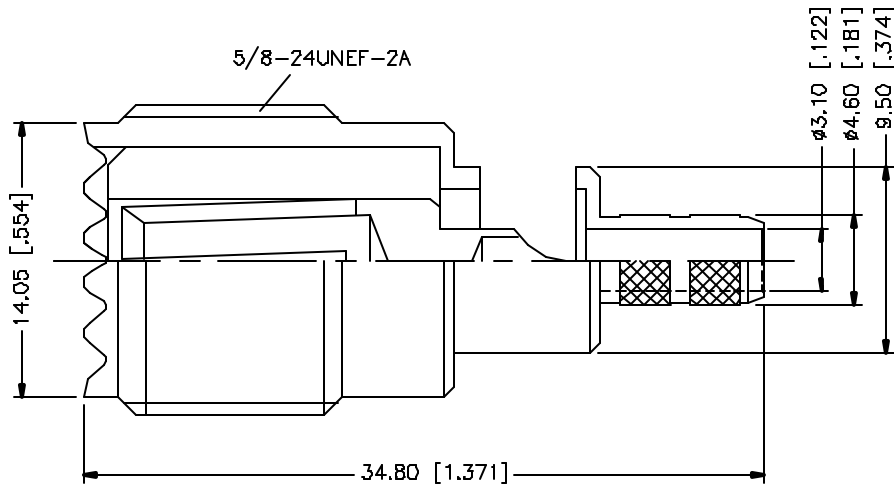
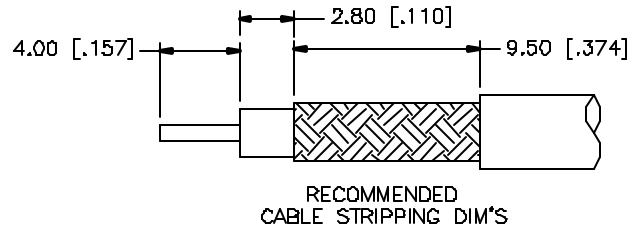


REV.	DATE	DESCRIPTION
A	11/22/04	UPDATE DRAWING FORMAT



NOTE:

1. CRIMPED FERRULE
HEX CRIMP SIZE .213"
2. CONTACT PIN TO SOLDER

REV.	DESCRIPTION	MATERIAL	FINISH	QTY	APPROVALS	DATE	Amphenol Connex			
8							UHF CRIMP JACK (FOR RG-58C/U, 58/U)			
7										
6										
5										
4	FERRULE	COPPER	NICKEL	1						
3	CONTACT FIN	BRASS	GOLD	1			PART NO. 182306			
2	INSULATOR	DELTRIN	NATURAL	1			DWG. NO. 182306.DWG			
1	BODY	BRASS	NICKEL	1			REV. A SIZE A SCALE NA			
UNLESS OTHERWISE SPECIFIED DIMENSIONS ARE IN MILLIMETERS. DIMENSIONS IN [] ARE IN INCHES AND FOR CUSTOMER REFERENCE ONLY. UNLESS OTHERWISE SPECIFIED TOLERANCES FOR MILLIMETERS ARE: 0.5 - 8mm ± 0.20mm 8 - 30mm ± 0.40mm 30 - 120mm ± 0.50mm UNLESS OTHERWISE SPECIFIED TOLERANCES FOR INCHES ARE: .020 - .315 = ± 0.007" .315 - 1.180 = ± 0.015" 1.180 - 4.724 = ± 0.020" DO NOT SCALE DRAWING					C:\182\182306.DWG					