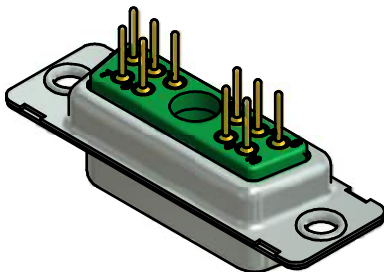
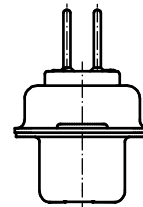
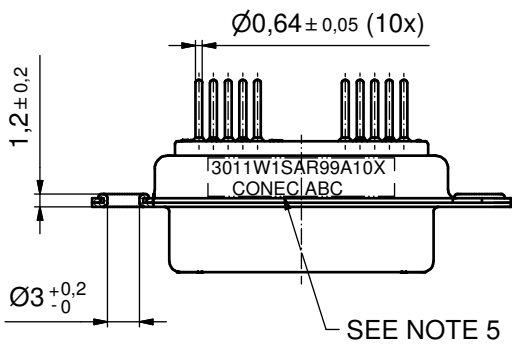
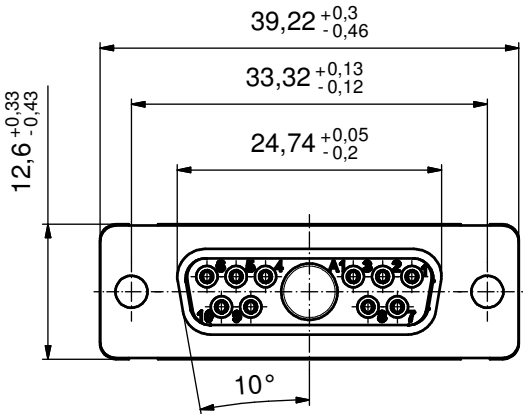
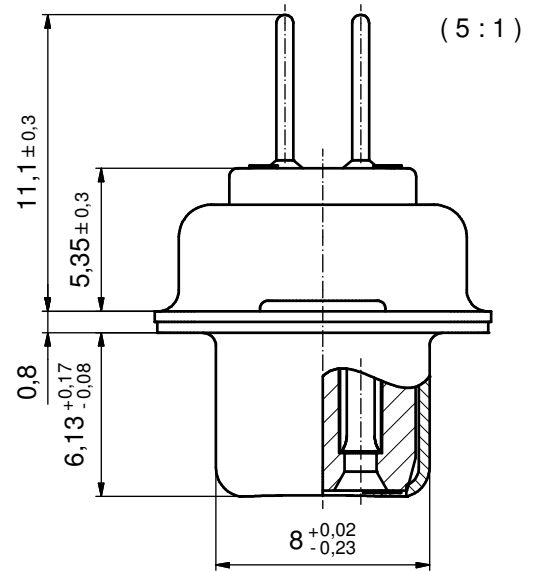


P.C.B. HOLE DRILLINGS  
( P.C.B. TOP SIDE )



NOTES:

1. METALSHELLS: STEEL; min. 315µin TIN over 40-80µin NICKEL
2. INSULATOR: PBT GF UL 94 V-0, GREEN
3. SIGNAL CONTACTS: COPPER ALLOY  
PLATING: GOLD FLASH over NICKEL
4. NO CONTACTS ON POS. A1
5. CONNECTOR IS PART MARKED: 3011W1SAR99A10X CONEC ABC

Directive 2002/95/EC RoHS compliant

THIS DRAWING MAY NOT BE COPIED OR REPRODUCED IN ANY WAY, AND MAY NOT BE PASSED ON TO A THIRD PARTY WITHOUT WRITTEN PERMISSION. OWNERSHIP AND COPYRIGHT OF CONEC GmbH DO NOT ALTER CAD DRAWING BY HAND				tolerance	dim. in mm	scale:	2:1 (5:1)		
				date		name	material:	SEE NOTES	
				drawn	27.02.12	Henneboel	title: <b>D-SUB COMBINATION FEMALE</b> 11W1S		
				appd.	27.02.12	Koch			
				norm			dwg no: 13K1A3911		
				d-old					
			rev.	description	date	name	part no: 3011W1SAR99A10X		



DIN-A3  
sh: 1