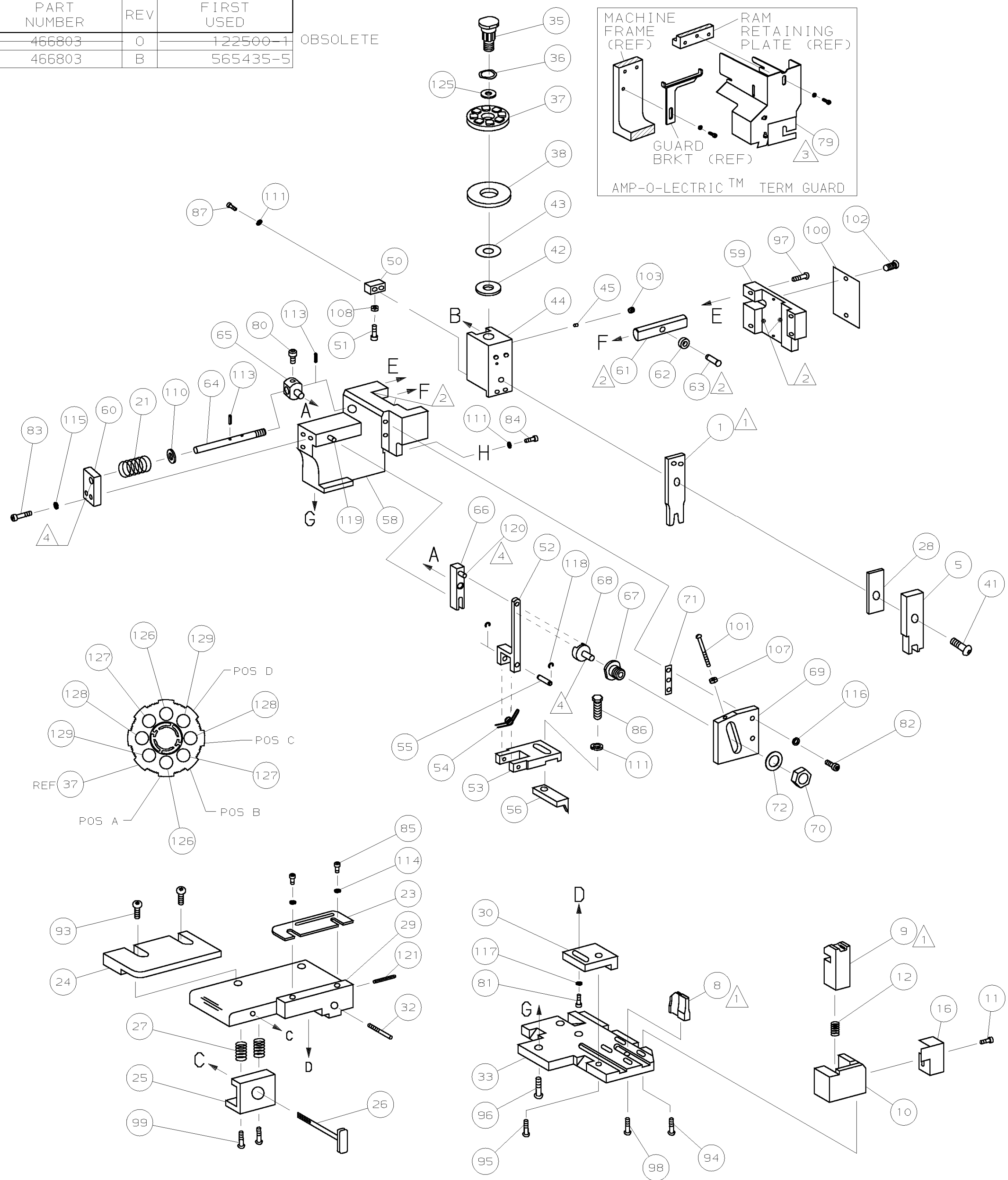
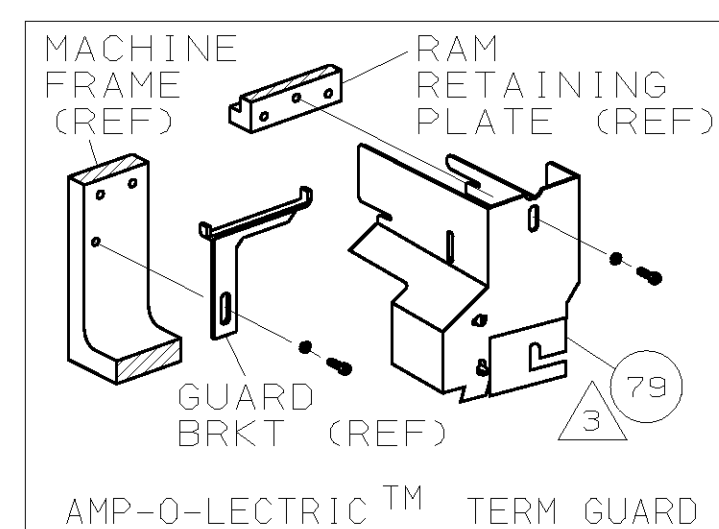


PART NUMBER	REV	FIRST USED
466803	0	122500-1
466803	B	565435-5

OBSOLETE

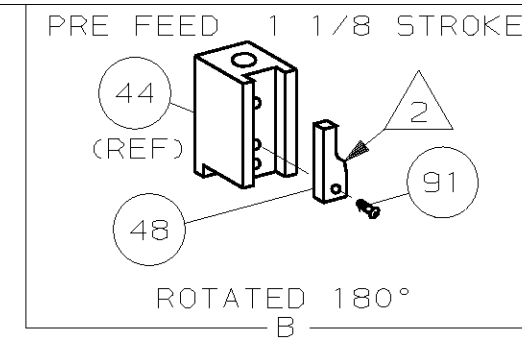


TERMINAL NAME: Ø.093 PIN		CRIMPING DATA	
PAD LTR	CRIMP HEIGHT	WIRE SIZE	
A	.056 ±.002 [1.42 ±0.05mm]	16	
B	.048 ±.002 [1.22 ±0.05mm]	18	
C	.044 ±.002 [1.12 ±0.05mm]	20	
D	.041 ±.002 [1.04 ±0.05mm]	22	
CRIMP	SIZE	TYPE	RANGE
WIRE	.090 [2.29mm]	F	22-16
INSUL	-	-	-

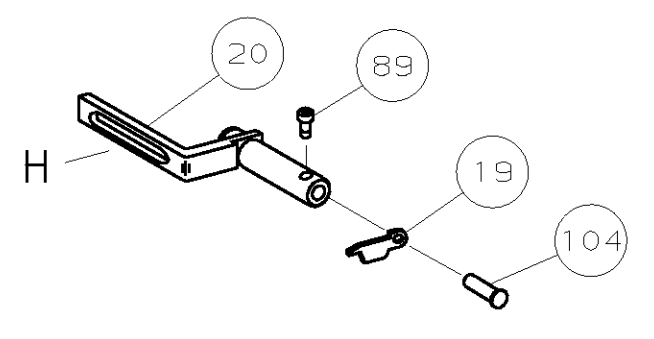
-1	LEADMAKER	MECH-POST FEED
-2	BENCH MODEL K	MECH PRE FEED

QTY	REF	REV	U/M	DWG SIZE	PART NO	DESCRIPTION	ITEM NO
2	2	-	C		4-354779-0	PIN, WIRE DISC (.3190)D	129
2	2	-	C		3-354779-4	PIN, WIRE DISC (.3160)C	128
2	2	-	C		2-354779-6	PIN, WIRE DISC (.3120)B	127
2	2	-	C		1-354779-0	PIN, WIRE DISC (.3040)A	126
1	1	-	A		986950-1	WASHER, FLAT PRECISION	125
1	1	-	A		217238-1	GENERAL INSTRUCTION PACKAGE	124
1	1	-	-		4088040	SF APPL INST 408-8040	123
1	1	-	-				122
1	1	-	A		4-21028-0	PIN, SLT SPR (Ø.093x.75)ST GDE PL	121
REF	REF	-	A		1-21030-1	PIN, DOWEL (Ø.187x.50)LEVER	120
REF	REF	-	A		1-21030-6	PIN, DOWEL (Ø.187x1.25)HOUSING	119
REF	REF	-	A		21045-3	RING, RET "C" (Ø.187)FD FING PIN	118
1	1	-	A		21024-5	WASHER, LOCK (#10)ADJ BLK	117
REF	REF	-	A		21024-5	WASHER, LOCK (#10)ADJ PLATE	116
REF	REF	-	A		21024-5	WASHER, LOCK (#10)FEED GDE ROD	115
2	2	-	A		21024-2	WASHER, LOCK (#4)FRONT STP GUIDE	114
REF	REF	-	A		5-21028-1	PIN, SLT SPR (Ø.125x.50)ADJ ROD	113
							112
4	4	-	A		21024-4	WASHER, LOCK (#8) STRIPPER	111
REF	REF	-	A		21899-4	WASHER, FLAT (Ø5/16) SCREW ADJ	110
							109
1	1	-	A		21018-5	NUT, HEX (NO. 6) HOLDDOWN	108
REF	REF	-	A		21018-5	NUT, HEX (6-32)FEED ADJ	107
							106
							105
1	1	-	A		992031-1	PIN, CLEVIS	104
1	1	-	A		21009-2	SCR, SKT SET (1/4-20x.25 LW)RAM	103
2	2	-	A		21017-2	SCR, DRIVE (#2x.19) ID PLATE	102
REF	REF	-	A		6-23715-5	SCR, PAN HD (6-32x1.50)FEED ADJ	101
1	1	-	B		461264-1	PLATE, IDENTIFICATION	100
2	2	-	A		3-21002-0	SCR, BHC (10-32x.88)DRAG	99
1	1	-	A		22733-8	SCR, BHC (8-32x.38 LW)ANVIL	98
REF	REF	-	A		2-21002-9	SCR, BHC (10-32x.75)CAP	97
REF	REF	-	A		2-22733-8	SCR, BHC (1/4-20x.62)HOUSING	96
REF	REF	-	A		2-21002-7	SCR, BHC (10-32x.50)56 ADJ BLOCK	95
2	2	-	A		2-21002-2	SCR, BHC (8-32x.50)TERM H DWN	94
2	2	-	A		2-21002-1	SCR, BHC (8-32x.38)R STP GDE	93
							92
1	1	-	A		1-21002-7	SCR, BHC (6-32x.38)CAM	91
							90
1	1	-	A		7-21000-9	SCR, SHC (4-40x.19)STRIPPER	89
							88
2	2	-	A		2-21000-7	SCR, SHC (8-32x.48)DEP-HOLD	87
1	1	-	A		2-22603-0	SCR, HEX HD (8-32x.31)FEED FINGER	86
2	2	-	A		1-21000-3	SCR, SHC (4-40x.25)F ST GUIDE	85
1	1	-	A		2-21000-7	SCR, SHC (8-32x.50)STRIPPER	84
REF	REF	-	A		3-21000-7	SCR, SHC (10-32x.75)FEED ROD GD	83
REF	REF	-	A		3-21000-6	SCR, SHC (10-32x.62)FD ADJ BLK	82
1	1	-	A		3-21000-4	SCR, SHC (10-32x.38)56 ADJ BL	81
REF	REF	-	A		3-21000-4	SCR, SHC (10-32x.38)PIVOT BLK	80
REF	-	-	B		455749-1	GUARD, WINDOW	79
							78
							77
							76
							75
							74
							73
REF	REF	-	A		458109-1	WASHER, SPECIAL	72
REF	REF	-	A		690517-1	SPACER	71

QTY	REF	REV	U/M	DWG SIZE	PART NO	DESCRIPTION	ITEM NO
1	1	-	B		690542-2	PAWL, FEED	56
REF	REF	-	B		240624-1	PIN, FEED FINGER	55
REF	REF	-	B		691499-1	SPRING, FEED FINGER	54
REF	REF	-	B		690541-1	HOLDER, FEED FINGER	53
REF	REF	-	A		455679-1	LEVER, TERMINAL FEED ARM	52
1	1	-	A		811242-2	BUMPER, HOLDDOWN	51
1	1	-	A		690753-1	SPACER, TONKER	50
							49
1	1	-	B		690602-5	CAM, PRE-FEED 1 1/8 ST	48
							47
1	1	-	B		459456-1	APPLICATOR, BASIC (SUBASSY)	46
1	1	-	A		690191-1	PLUG, NYLON	45
1	1	-	C		455673-1	RAM	44
1	1	-	A		690125-1	WASHER, LAMINATED	43
1	1	-	A		690124-1	WASHER, RAM	42
1	1	-	A		7-21002-9	BOLT, CRIMPER (5/16x1.00)	41
							40
							39
1	1	-	A		690223-2	SPACER, INSULATION DISC	38
1	1	-	D		354777-1	WIRE DISC, PLASTIC	37
1	1	-	A		22480-5	WASHER, SPRING	36
1	1	-	B		690212-1	POST, RAM	35
							34
REF	REF	-	D		455675-1	PLATE, BASE	33
1	1	-	A		690432-3	SCREW, ADJUSTMENT	32
							31
REF	REF	-	B		455689-1	BLOCK, STRIP GUIDE ADJ	30
1	1	-	C		455671-1	PLATE, STRIP GUIDE	29
1	1	-	C		1-455888-0	SPACER, FRONT SHEAR DEP	28
2	2	-	A		1-22284-0	SPRING, DRAG	27
1	1	-	B		690546-1	LEVER, DRAG RELEASE	26
1	1	-	B		240792-1	DRAG, TERMINAL	25
1	1	-	D		7-690504-1	GUIDE, STRIP (REAR)	24
1	1	-	A		690438-1	GUIDE, STRIP (FRONT)	23
							22
REF	REF	-	A		4-22284-9	SPRING, FEED RETURN	21
1	1	-	A		679218-1	STRIPPER WIRE STOP ASSY	20
1	1	-	B		458949-1	STRIPPER	19
							18
							17
1	1	-	B		318563-1	GUARD, CHIP, FRONT	16
							15
							14
							13
1	1	-	A		5-22280-0	SPRING, SHEAR	12
1	1	-	B		690461-1	STOP, SHEAR	11
1	1	-	C		690459-1	HOLDER, SHEAR (FRONT)	10
1	1	-	C		454276-1	SHEAR, FLOAT (FRONT)	9
1	1	-	C		4-690512-8	ANVIL	8
							7
							6
1	1	-	C		1-455889-4	DEPRESSOR, SHEAR (FRONT)	5
							4
							3
							2
1	1	-	C		3-456406-0	CRIMPER, WIRE	1



- 1 RECOMMENDED SPARE PARTS.
- 2 GREASE LIGHTLY.
- 3 GUARD MUST BE IN PLACE WHEN OPERATING APPLICATOR IN A BENCH MACHINE.
- 4 LUBRICATE DAILY USING NO. 20 MACHINE OIL.
- 5. ITEMS WITH QTY OF REF SPECIFIED (EXCEPT ITEM 79) ARE USED ON ITEM 46.
- 6 CUT TO LENGTH AT ASSY



THIS DRAWING IS A CONTROLLED DOCUMENT.

THIS DRAWING IS UNRELEASED. RELEASE FOR PUBLICATION BY AMP INCORPORATED. ALL RIGHTS RESERVED. COPYRIGHT 19 AMP 1756 REV 3-92

A 66

DIMENSIONS IN INCHES. DO NOT SCALE PRINT. TOLERANCES UNLESS OTHERWISE SPECIFIED:

DR	9-93-96	APP	10-8-96
D. SALTZER	T. ELBIN	AMP Incorporated Harrisburg, PA 17105-3608	
CHK	10-8-96	REL	10/14/96
C. ERISMANN	B. MORGAN		

NAME: SIDE FEED HDM APPLICATOR MACHINE REF: MINI APPL

SCALE: - DWG NO: 466803 SHEET: 1 OF 1 REV: B

CASE CODE: 00779 CUSTOMER AND ASSEMBLY DRAWING RESTRICTED TO