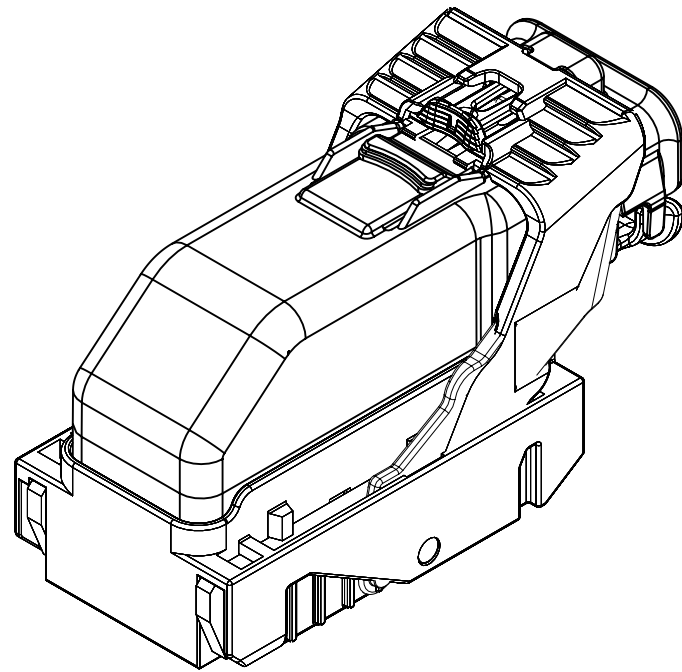

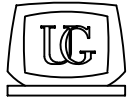


INDEX	
PAGE TITLE	PAGE
TITLE BLOCK	1
REVISION BLOCK	2
PART BLOCK	3
KPC BLOCK	4
COMPONENT TABLE	5
NOTES	6
NOTES	7
WIRE DRESS PACKAGING DIMENSIONS	8
LOCATION AND PACKAGING DIMENSIONS REFERENCING INTERFACE DATUMS B & C	9
LOCATION AND PACKAGING DIMENSIONS REFERENCING INTERFACE DATUM A	10
KEY ID REF - WIRE DRESS OPTION 0	11
KEY ID REF - WIRE DRESS OPTION 9	12
CIRCUIT CONFIGURATIONS	13
CIRCUIT CONFIGURATIONS	14
COMPONENT CONNECTOR INTERFACE	15
COMPONENT CONNECTOR INTERFACE	16
COMPONENT CONNECTOR INTERFACE	17
COMPONENT CONNECTOR INTERFACE	18
COMPONENT CONNECTOR INTERFACE	19
COMPONENT CONNECTOR INTERFACE	20
COMPONENT CONNECTOR INTERFACE	21




ISO VIEW

	<p>UNLESS OTHERWISE SPECIFIED: THIS DOCUMENT IS IN ACCORDANCE WITH ASME Y14.5M-1994 AS AMMENDED BY THE GM GLOBAL DIMENSIONING AND TOLERANCING ADDENDUM-1997. ALL GEOMETRIC TOLERANCES AND RELATED DATUMS APPLY RFS. RULE #1 (PERFECT FORM AT MMC) DOES NOT APPLY WHEN A RELATIONSHIP BETWEEN FEATURES IS ESTABLISHED BY ORIENTATION OR LOCATION TOLERANCES. SEPARATE POSITION CALLOUTS MAY BE GAGED SEPARATELY REGARDLESS OF DATUM REFERENCES.</p>			DATE						
	 CHANGE RESTRICTED NO MANUAL CHANGES	REFERENCE 12H (MOLEX AUTOMOTIVE)	DRAFTER J SZYMKOWSKI APVD1 D PFAFFINGER APVD2 B BURT APVD3 APVD4 APVD5	22DE05 22DE05 22DE05 						
DO NOT SCALE	DRAWING NAME HARNESS CONN ASM 66/73/80 CKTS									
METRIC DIMENSIONS SHOWN IN MILLIMETERS UNLESS OTHERWISE SPECIFIED	DRAWING NUMBER 12642695		DWG STATUS <table border="1"> <tr> <th>ST</th> <th>REV</th> <th>PD1</th> </tr> <tr> <td>R</td> <td>002</td> <td></td> </tr> </table>		ST	REV	PD1	R	002	
ST	REV	PD1								
R	002									
			PAGE NUMBER 1 OF 21							

PAGE	DWG STATUS					REVISION HISTORY	AUTH	DR	CK	ENG
	DATE	ST	REV	CHG	PDI					
	19DE11	R	001			RELEASED TO PRODUCTION AT DLS A	CRMRJB	SC	MRO	GF
3	08MY15	R	002	A		REORDERED PART BLOCK AND ADDED MASS CORRECTED P/N TYPO FROM 12562676 TO 12582676				
3, 5		R	002	B		ADDED 12659312, 12659313, 12653574 AND 12653575				
6		R	002	C		REMOVED NOTE 1 . D . 3 . C				
20		R	002	D		DIM 125 WAS 3.25 DIM 131 WAS 5.5	CRMRJD	DFK	MRO	GF

PAGE	DWG STATUS					REVISION HISTORY	AUTH	DR	CK	ENG
	DATE	ST	REV	CHG	PDI					

	PAGE TITLE	DRAWING NUMBER	DWG STATUS			PAGE NUMBER	
	REVISION BLOCK		12642695	ST	REV	PDI	2 OF 21
				R	002		

KEY PRODUCT CHARACTERISTICS
(IN ACCORDANCE WITH QN 1805 OR ON 1050)



SAFETY/COMPLIANCE

TOTAL ON
DRAWING

5



FIT/FUNCTION

LAST NO.
USED

5

NO	TYPE	DESCRIPTION	RATIONALE	PAGE/ZONE
1	F/F	32.68	IMPROVE CONNECTOR SYSTEM MATING	15
2	F/F	29.00	INSURE PROPER RELEASE OF LEVER	15
3	F/F	15.25	INSURE FINAL MATE POSITION	16
5	F/F	POSITIONAL TOLERANCE (2 PLACES)	INSURE CONNECTOR SYSTEM MATEABILITY	19



PAGE TITLE
KPC BLOCK

DRAWING NUMBER

12642695

DWG STATUS

ST	REV	PD1
----	-----	-----

R	002	
---	-----	--

PAGE NUMBER

4 OF 21

LINE	MFG.	MFG. P/N	GM P/N	EFFECTIVE DATE	APPLICABLE COMPONENTS	KEY OPTION	WIRE DRESS OPTION	KEY CONFIG.	COLOR	STATUS
					DESCRIPTION					
-										
1	MOLEX	34565-0003	12582676	02JN03	MX123 DRESS COVER 66/73/80 CKT	N/A	N/A	N/A	BLACK	AVAILABLE
2	MOLEX	34822-0013	12642692	01SP13	MX123 HRNS CONN ASSY 66 CKT	A	0	1458	BLACK	AVAILABLE
3	MOLEX	34822-0033	12659312	01SP13	MX123 HRNS CONN ASSY 66 CKT	C	0	2467	BLUE	AVAILABLE
4	MOLEX	34822-0023	12642693	01SP13	MX123 HRNS CONN ASSY 66 CKT	A	9	1458	BLACK	AVAILABLE
5	MOLEX	34822-0043	12659313	01SP13	MX123 HRNS CONN ASSY 66 CKT	C	9	2467	BLUE	AVAILABLE
6	MOLEX	34566-0103	12582677	11JN04	MX123 HRNS CONN ASSY 73 CKT	A	0	1458	BLACK	AVAILABLE
7	MOLEX	34566-0203	12582678	11JN04	MX123 HRNS CONN ASSY 73 CKT	B	0	1468	ST GRAY	AVAILABLE
8	MOLEX	34566-0303	12615654	09AP08	MX123 HRNS CONN ASSY 73 CKT	C	0	2467	BLUE	AVAILABLE
9	MOLEX	34566-0403	12647268	T.B.D	MX123 HRNS CONN ASSY 73 CKT	D	0	2367	BROWN	NOT ACTIVE
10	MOLEX	34566-0503	AMJ28633	T.B.D	MX123 HRNS CONN ASSY 73 CKT	E	0	2468	GREEN	NOT ACTIVE
11	MOLEX	34566-0603	12653574	05DC14	MX123 HRNS CONN ASSY 73 CKT	F	0	1357	NATURAL	AVAILABLE
12	MOLEX	34566-0703	12588057	09AP08	MX123 HRNS CONN ASSY 80 CKT	G	0	1358	BLUE	AVAILABLE
13	MOLEX	34566-0803	12588058	11JN04	MX123 HRNS CONN ASSY 80 CKT	H	0	2458	ST GRAY	AVAILABLE
14	MOLEX	34566-0903	12615656	T.B.D	MX123 HRNS CONN ASSY 80 CKT	J	0	2457	BLACK	NOT ACTIVE
15	MOLEX	34566-1003	AMJ28595	T.B.D	MX123 HRNS CONN ASSY 80 CKT	K	0	2357	BROWN	NOT ACTIVE
16	MOLEX	34566-1103	AMJ29057	T.B.D	MX123 HRNS CONN ASSY 80 CKT	L	0	2368	GREEN	NOT ACTIVE
17	MOLEX	34566-1203	AMJ28669	T.B.D	MX123 HRNS CONN ASSY 80 CKT	M	0	2358	NATURAL	NOT ACTIVE
18	MOLEX	34566-1303	12603596	11JN04	MX123 HRNS CONN ASSY 73 CKT	A	9	1458	BLACK	AVAILABLE
19	MOLEX	34566-1403	12603597	11JN04	MX123 HRNS CONN ASSY 73 CKT	B	9	1468	ST GRAY	AVAILABLE
20	MOLEX	34566-1503	12615655	09AP08	MX123 HRNS CONN ASSY 73 CKT	C	9	2467	BLUE	AVAILABLE
21	MOLEX	34566-1603	12647269	T.B.D	MX123 HRNS CONN ASSY 73 CKT	D	9	2367	BROWN	NOT ACTIVE
22	MOLEX	34566-1703	AMJ28698	T.B.D	MX123 HRNS CONN ASSY 73 CKT	E	9	2468	GREEN	NOT ACTIVE
23	MOLEX	34566-1803	12653575	05DC14	MX123 HRNS CONN ASSY 73 CKT	F	9	1357	NATURAL	AVAILABLE
24	MOLEX	34566-1903	12603598	09AP08	MX123 HRNS CONN ASSY 80 CKT	G	9	1358	BLUE	AVAILABLE
25	MOLEX	34566-2003	12603599	11JN04	MX123 HRNS CONN ASSY 80 CKT	H	9	2458	ST GRAY	AVAILABLE
26	MOLEX	34566-2103	12615657	T.B.D	MX123 HRNS CONN ASSY 80 CKT	J	9	2457	BLACK	NOT ACTIVE
27	MOLEX	34566-2203	AMJ29117	T.B.D	MX123 HRNS CONN ASSY 80 CKT	K	9	2357	BROWN	NOT ACTIVE
28	MOLEX	34566-2303	AMJ29136	T.B.D	MX123 HRNS CONN ASSY 80 CKT	L	9	2368	GREEN	NOT ACTIVE
29	MOLEX	34566-2403	AMJ29214	T.B.D	MX123 HRNS CONN ASSY 80 CKT	M	9	2358	NATURAL	NOT ACTIVE
30	MOLEX	34736-2002	12642697	01AU10	MX64 RCPT TERM Ag 18/20 GAGE B (RIGHT PAYOFF)	N/A	N/A	N/A	N/A	AVAILABLE
31	MOLEX	34736-2001	12642696	01AU10	MX64 RCPT TERM Ag 22 GAGE B (RIGHT PAYOFF)	N/A	N/A	N/A	N/A	AVAILABLE
32	MOLEX	34586-0001	T.B.D.	11JN04	MX123 0.64MM GROMMET PLUG	N/A	N/A	N/A	NATURAL	AVAILABLE
33	YAZAKI	7116-4150-02	12588066	02JN03	2.8mm YESC SEALED FEMALE TERMINAL TIN 20/22 GAGE (CABLE RANGE 0.30mm-0.60mm)	N/A	N/A	N/A	N/A	NOT ACTIVE
34	YAZAKI	7116-4151-02	12588067	02JN03	2.8mm YESC SEALED FEMALE TERMINAL TIN 16/18 GAGE (CABLE RANGE 0.75mm-1.40mm)	N/A	N/A	N/A	N/A	NOT ACTIVE
35	YAZAKI	7116-4152-02	12582685	02JN03	2.8mm YESC SEALED FEMALE TERMINAL TIN 14 GAGE (CABLE RANGE 1.50mm-2.50mm)	N/A	N/A	N/A	N/A	AVAILABLE
36	YAZAKI	7158-3111-60	12588068	02JN03	2.8mm CABLE SEAL (wire O.D. range 1.20mm-1.90mm)	N/A	N/A	N/A	GREEN	NOT ACTIVE
37	YAZAKI	7158-3112-70	12588069	02JN03	2.8mm CABLE SEAL (wire O.D. range 1.80mm-2.30mm)	N/A	N/A	N/A	YELLOW	NOT ACTIVE
38	YAZAKI	7158-3113-40	12582686	02JN03	2.8mm CABLE SEAL (wire O.D. range 2.18mm-3.00mm)	N/A	N/A	N/A	WHITE	AVAILABLE
39	YAZAKI	7158-3114-90	T.B.D	02JN03	2.8mm YESC CAVITY PLUG	N/A	N/A	N/A	BLUE	AVAILABLE
40	MOLEX	63811-4200	XX019825	02JN03	MX64 TERM HAND CRIMP TOOL	N/A	N/A	N/A	N/A	AVAILABLE
41	MOLEX	63813-1400	XX019826	02JN03	MX64 TERM SERVICE TOOL	N/A	N/A	N/A	N/A	AVAILABLE
42	MOLEX	63865-8000	XX019827	02JN03	MX64 CRIMP APPLICATOR with TOOL KIT 18/20 GAGE PAYOFF DIRECTION D (left payoff) (contact Molex for payoff detail)	N/A	N/A	N/A	N/A	AVAILABLE
43	MOLEX	63865-8070	XX019828	02JN03	MX64 APPLICATOR TOOL KIT 18/20 GAGE	N/A	N/A	N/A	N/A	AVAILABLE
44	MOLEX	63865-8100	XX019829	02JN03	MX64 CRIMP APPLICATOR with TOOL KIT 22 GAGE PAYOFF DIRECTION D (left payoff) (contact Molex for payoff detail)	N/A	N/A	N/A	N/A	AVAILABLE
45	MOLEX	63865-8170	XX019830	02JN03	MX64 APPLICATOR TOOL KIT 22 GAGE	N/A	N/A	N/A	N/A	AVAILABLE
46	SPX	J35616-64	T.B.D.	02JN03	0.64mm PROBE TOOL (for rcpt)	N/A	N/A	N/A	N/A	AVAILABLE
47	SPX	J35616-64A	T.B.D.	02JN03	0.64mm PROBE TOOL WITH EXT (for rcpt)	N/A	N/A	N/A	N/A	AVAILABLE
48	SPX	J35616-65	T.B.D.	02JN03	0.64mm PROBE TOOL WITH EXT (for pin)	N/A	N/A	N/A	N/A	AVAILABLE
49	SPX	J35616-4A	T.B.D.	02JN03	2.8mm PROBE TOOL (for rcpt)	N/A	N/A	N/A	N/A	AVAILABLE
50	YAZAKI	X39899-J374	12094430	02JN03	2.8mm TERM SERVICE TOOL	N/A	N/A	N/A	N/A	AVAILABLE

002B

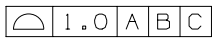
* - MX123 DRESS COVER 73/80/66 CKT MATES TO ANY MX123 HARN CONN ASSY SHOWN ON TABLE ABOVE

NOTES: UNLESS OTHERWISE SPECIFIED

1. MATERIAL FOR INTERFACE:

- A. RESIN:
 - 1. 30% G.F. PBT; 20% MAX. (BY WEIGHT) REGRIND.
 - 2. MATING CONNECTOR INTERFACE PART COLOR MUST BE SAME AS MATCHING KEYED HARNESS CONNECTOR ASSEMBLY.
 - 3. MUST BE VALIDATED FOR INDIVIDUAL DEVICE APPLICATION REQUIREMENTS.
- B. 0.64MM PINS:
 - 1. BASE MATERIAL: COPPER ALLOY; CONDUCTIVITY >= 28% IACS AT 20°C; TENSILE STRENGTH >= 635 N/mm²; SURFACE ROUGHNESS R_a 6 MAX.
 - 2. PLATING FINISH: SILVER (Ag). PLATING TO BE 1.9-3.3 μm ELECTRODEPOSITED SEMI-BRIGHT SILVER OVER 1.25-2.25 μm DUCTILE SULPHAMATE NICKEL PER NOTE 1(D).
 - 3. ANTI-TARNISH: SYNTHETIC HYDROCARBON CONTACT SURFACE FINISH OR EQUIVALENT APPLIED WITHOUT VOID TO CONTACT AREA (MIN 3.7mm FROM PIN TIP).
- C. 2.8MM BLADE:
 - 1. BASE MATERIAL: COPPER ALLOY; CONDUCTIVITY >= 28% IACS AT 20°C; TENSILE STRENGTH >= 350 N/mm²; SURFACE ROUGHNESS R_a 6 MAX.
 - 2. PLATING FINISH: TIN. PLATING TO BE 2.5-5.0 μm ELECTRODEPOSITED TIN, MATTE FINISH OVER 1.25-2.5 μm DUCTILE SULPHAMATE NICKEL PER NOTE 1(D).
- D. PLATING REQUIREMENTS:
 - 1. SILVER PLATING
 - a. 99.5% PURE SEMI-BRIGHT WITH NO ORGANIC BRIGHTNERS OR CHROMATES.
 - 2. NICKEL PLATING
 - a. ELECTRODEPOSITED DUCTILE SULFAMATE NICKEL WITH A NON-BRIGHTENED FINISH. NO ORGANIC OR BRIGHTENING AGENTS SHALL BE ALLOWED.
 - b. SHALL ONLY BE USED AS AN UNDERLYING PLATING AND MAY NOT BE USED AS AN ELECTRICAL CONTACT SURFACE PLATING.
 - c. SHALL BE NODULE FREE WHEN VIEWED AT 10X MAGNIFICATION IN MEASURED IN CONTACT SURFACE AREA PLUS 0.5MM PERIMETER AROUND THE CONTACT SURFACE AREA.
 - d. ALL PLATINGS SHALL HAVE A 1.0% MAXIMUM BY WEIGHT IMPURITIES. IMPURITIES ARE DEFINED AS ALL ELEMENTS NOT THE PRIMARY PLATING OR HARDENING AGENT IF APPLICABLE, AS DETERMINED BY WET CHEMICAL ANALYSIS OR AUGER METHOD. NO SINGLE IMPURITY SHALL EXCEED 0.1% MAXIMUM BY WEIGHT.
 - 3. TESTING
 - a. THICKNESS TO BE MEASURED IN CONTACT SURFACE AREA PLUS 0.5MM PERIMETER AROUND THE CONTACT SURFACE AREA AS DESIGNATED IN THE DRAWING. THICKNESS SHALL BE DETERMINED BY METHOD OF X-RAY (XRF).
 - b. PLATING ADHESION SHALL BE TESTED BY A BEND TEST FOR ALL METALS. THE TEST SAMPLE SHALL BE BENT 90 DEGREES TO DETERMINE DEPOSIT ADHESION. TESTING SHALL BE COMPLETED IN ACCORDANCE WITH ASTM SPEC B571.


2. DESIGN - GENERAL:

- A. THIS IS A 100% CAD GENERATED PART. THE CAD MATHEMATICAL DATA IS THE MASTER FOR THIS PART. FOR DIMENSIONAL OR ANY INFORMATION NOT SHOWN ON THIS DRAWING, ANALYZE THE CAD MODEL.
- B. TOLERANCES:
 - 1. LINEAR
 - 0.X ± 0.30
 - 0.XX ± 0.10
 - 0.XXX ± 0.10
 - 2. ANGULAR X° ± 3°
 - 3. 
- C. MINIMUM WALL THICKNESS REQUIRED: 1.3mm.
- D. CORNERS SHOWN AS SHARP TO BE R 0.2 MAX.
- E. LETTERING SHALL BE 0.15 MAX RAISED IN 0.20 MAX RECESS PAD. THIS INCLUDES MATERIAL CODE, RECYCLING CODE, CAVITY ID AND DATE CODE.
- F-1. PARTS MUST BE FREE OF DISCOLORATION, SALT RESIDUE AND OTHER IMPERFECTIONS THAT AFFECT FIT OR FUNCTION.
- F-2. SCRATCHES OR DENTS NOT TO EXCEED 0.013mm IN DEPTH.
- G. FOLLOWING PRODUCTION CODES TO BE PERMANENTLY MARKED & HUMAN READABLE TO A LETTER HEIGHT OF 1.5 ± 0.5MM X 0.3 MAX DEEP
 - 1. MATERIAL #: XXXXX-XXXX
 - 2. DATE CODE: JJYY (JULIAN DAY, LAST DIGIT OF YEAR)
 - 3. INSPECTION MACHINE CODE + SERIAL #: X_XXXXX

3. DESIGN - MANUFACTURING:

- A. DRAFT TO BE WITHIN TOLERANCE.
- B. ALLOWABLE FLASH MAX 0.2 HIGH X MAX 0.13 THICK.
- C. ALLOWABLE PARTING LINE MISMATCH 0.2 MAX.
- D. EJECTOR PINS MARK TO BE FLUSH TO 0.25 MAX DEPRESSED.
- E. ALLOWABLE GATE VESTIGE FLUSH TO 0.25 MAX PROTRUSION.
- F. NO EXTERNAL MOLD RELEASE AGENT ALLOWED DURING MANUFACTURING.
- G. STEEL THAT FORMS THE INDICATED SURFACE MUST BE POLISHED WITH A DIAMOND FINISH (SPI A-2) OVER THE FULL PERIPHERY OF THE TOOL. SURFACE MUST HAVE NO MISMATCH.
- H. ANY PROCESS LUBRICANT REMAINING ON THE TERMINAL MUST NOT VARNISH OR DEGRADE IT'S ELECTRICAL PERFORMANCE UP TO A MAXIMUM CLASS AMBIENT TEMPERATURE PER SAE USCAR-2 FOR 1008 HOURS. PROCESS LUBRICANTS SHOULD BE APPROVED BY THE RESPONSIBLE ENGINEER.
- J. OPTIONAL FEATURES PROVIDED FOR AUTOMATION.
- K. PART MUST BE FREE FROM BURRS AND SHARP EDGES, WHICH MIGHT BE DETRIMENTAL TO SATISFACTORY ASSEMBLY, SAFE HANDLING OR FUNCTION OF PART.
- L. PARTS AS DELIVERED TO ASSEMBLY SHALL BE CLEAN AND FREE OF DEBRIS, RESIDUAL ABRASIVE MATERIAL AND CORROSION PRODUCTS ADVERESLY AFFECTING FUNCTION OR APPEARANCE.
- M. RESTRICTED AND REPORTABLE SUBSTANCES FOR PARTS PER GMW3059.

002C

	PAGE TITLE	DRAWING NUMBER	DWG STATUS			PAGE NUMBER	
	NOTES		12642695	ST	REV	PDI	6 OF 21
				R	002		

NOTES: UNLESS OTHERWISE SPECIFIED

4. SYSTEM REQUIREMENTS:

- A. HARNESS CONNECTOR IS COMPATIBLE WITH THE FOLLOWING SAE WIRE SIZE NO'S:
 - 14, MEETING SAE J1128
 - 18, MEETING SAE J1128, MAX O.D. OF 2.06 MM
 - 20, MEETING SAE J1128
 - 22, MEETING SAE J1128, MIN O.D. OF 1.47 MM
- B. CABLE TIE SPECIFICATIONS:
 - 1. CABLE TIE:
 - TENSILE RATING: 220N / (50lbs) MIN
 - TIE LENGTH: 186mm MIN
 - TIE WIDTH: 4.75mm MAX
 - MATERIAL: NYLON
 - 2. INSTALLATION:
 - CABLE TIE TENSION: 190N MIN
 - 3. DRESSED WIRE BUNDLE PACKAGING: SEE FIG. 1
- C. WHEN MATED WITH COMPONENT CONNECTOR INTERFACE AND/OR DRESS COVER, HARNESS CONNECTOR SYSTEM CONFORMS TO THE FOLLOWING:
 - 1. SAE/USCAR-2, REV: 3 APRIL, 2001; CLASS 3
 - 2. FIELD CORRELATED LIFE TEST, SAE/USCAR-20, NOV. 2001
 - 3. GMW #3191 AUGUST 22, 2000 (DRAFT); TEMPERATURE CLASS 3, SEALING CLASS 1, VIBRATION CLASS 2
 - 4. RESTRICTED AND REPORTABLE CHEMICALS PER GMW #3059, REV: D AUGUST 2002
 - 5. TPA USER FORCES (FULLY POPULATED WITH TERMINALS)
 - a. REMOVAL FROM LOCK TO PRE-SET: <=120N
- D. WIRE SPECIFICATIONS:
 - 1. WIRE SURFACE MUST BE FREE OF SCRATCHES, GROOVES OR DENTS WHERE FUNCTIONAL

5. TERMINAL CURRENT RATINGS:

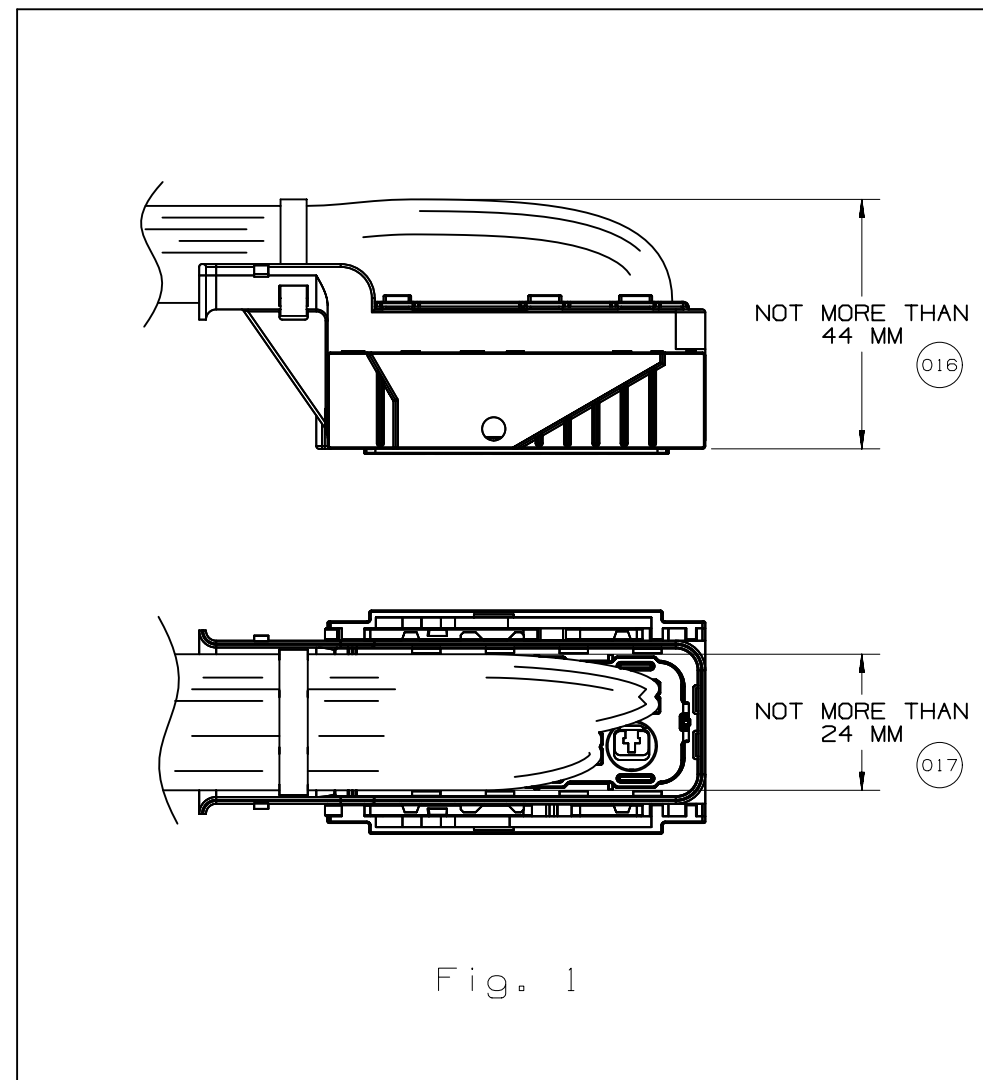
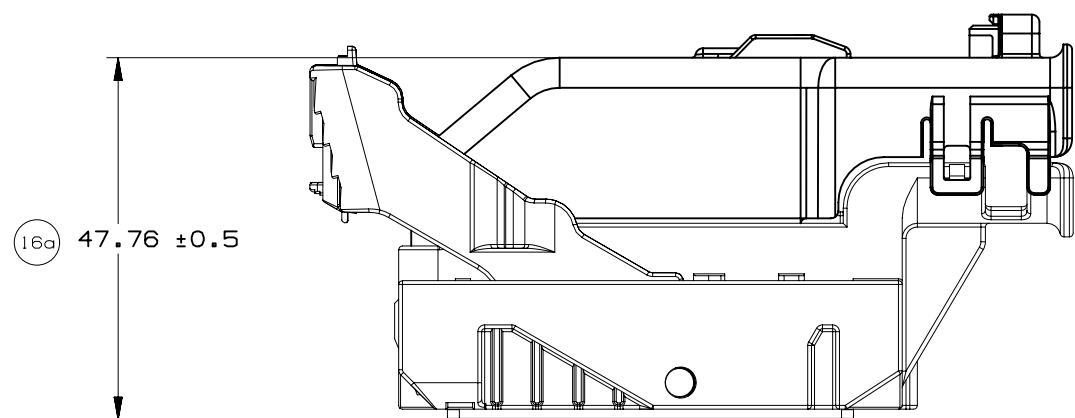
ALL TESTING DONE IN ACCORDANCE WITH USCAR-2 REV5 SECTION 5.3

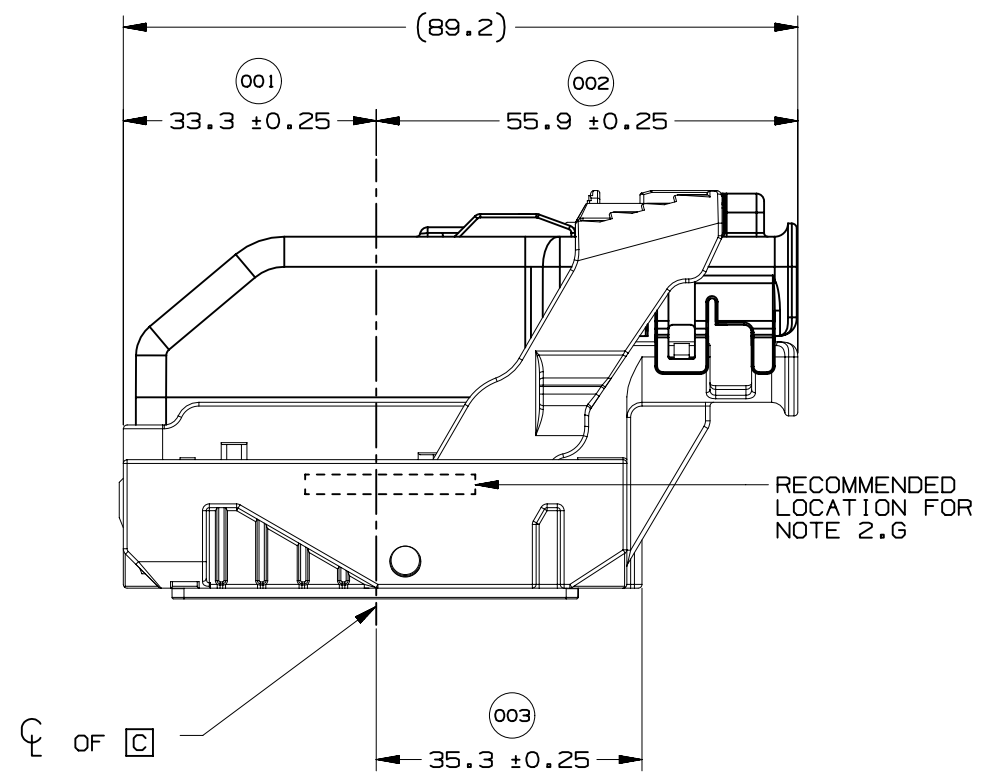
- A. MX64 RCPT TERM
 - 1. MX64 RCPT TERM Ag 18/20 GAGE CRIMPED TO SAE WIRE SIZE NO.18 AND MATED TO MX123 0.64MM PIN: 11.3 AMPS
 - 2. MX64 RCPT TERM Ag 22 GAGE CRIMPED TO SAE WIRE SIZE NO.22 AND MATED TO MX123 0.64MM PIN:8.5 AMPS

WIRE	CURRENT RATING			
	23°C	85°C	105°C	125°C
18AWG	11.3A	11.3A	9.5A	6.6A
20AWG	10.0A	10.0A	8.3A	5.7A
22AWG	8.6A	8.6A	7.1A	5.0A

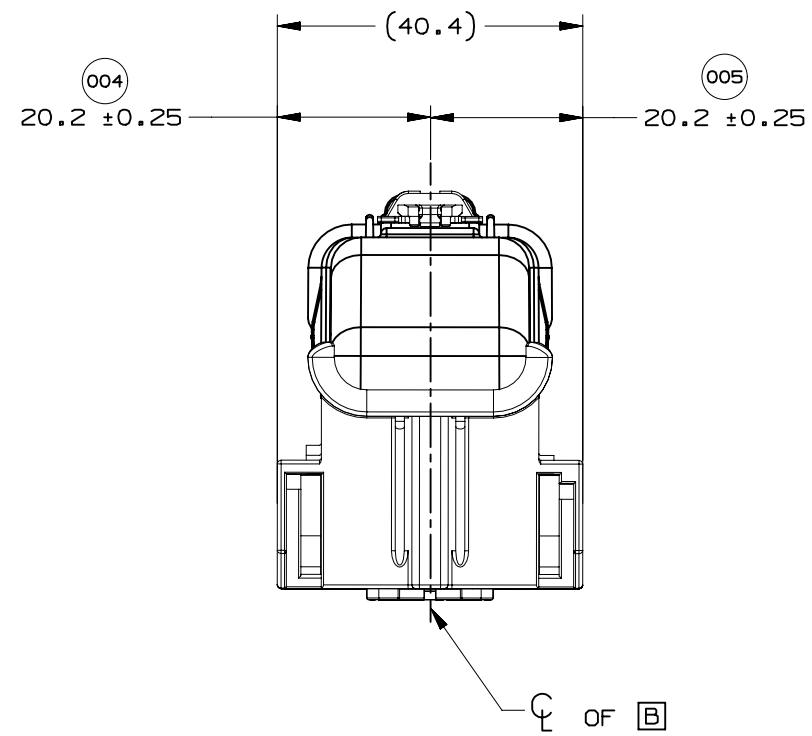
- B. 2.8MM RCPT TERM
 - 1. 2.8MM RCPT TERM TIN 14 GAGE CRIMPED TO SAE WIRE SIZE NO.14 AND MATED TO MX123 2.8MM BLADE: 25.6 AMPS

6. CONTACT MOLEX AUTOMOTIVE FOR AVAILABLE CUSTOM PATTERNS OF CAVITIES OPEN FOR CIRCUITS

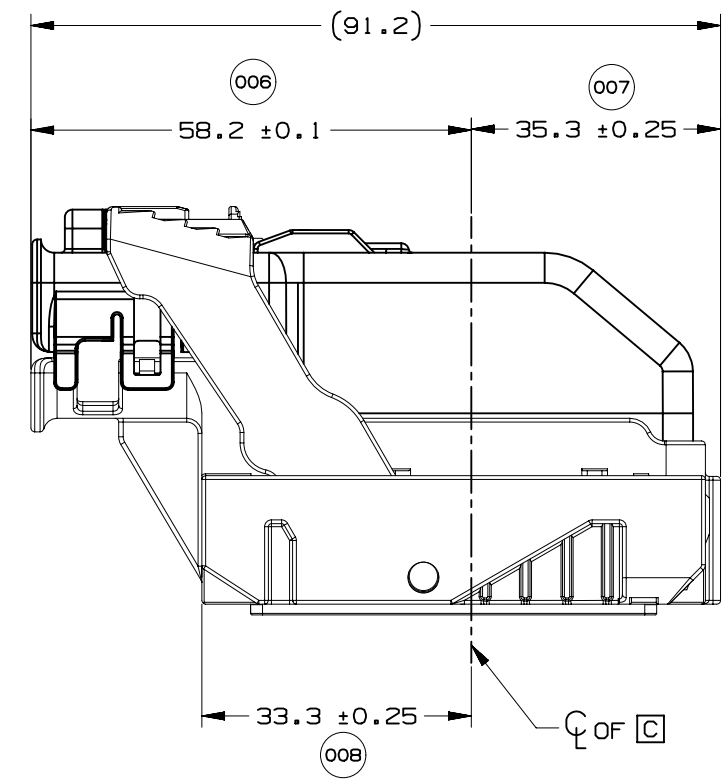




WIRE DRESS OPTION 0 SHOWN

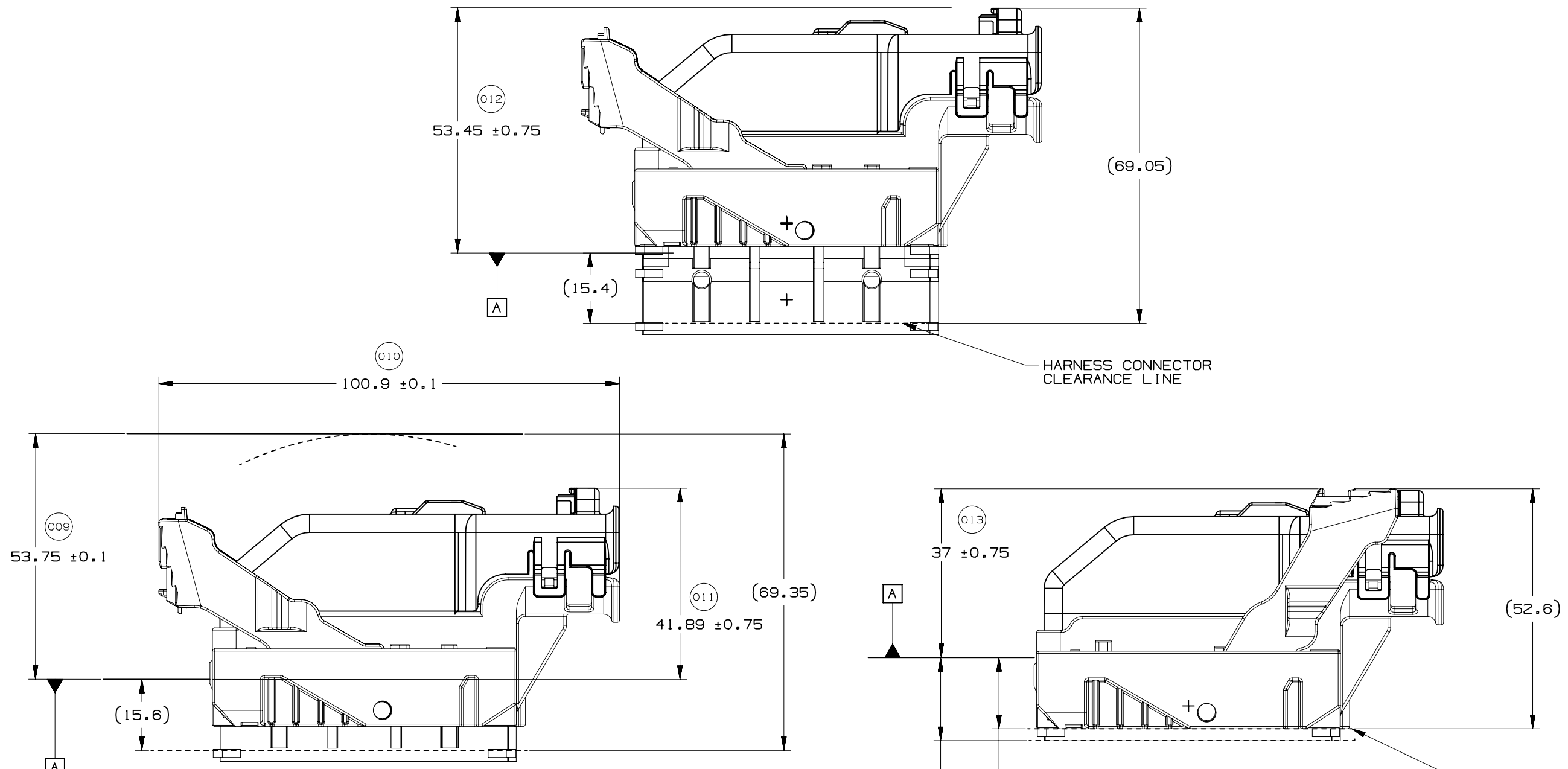


WIRE DRESS OPTION 0 SHOWN



WIRE DRESS OPTION 9 SHOWN





HARNESS CONNECTOR CLEARANCE LINE

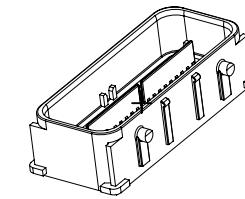
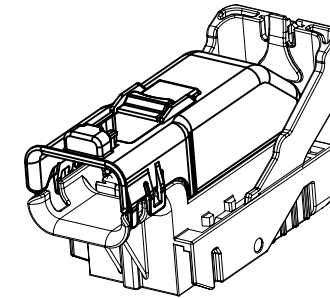
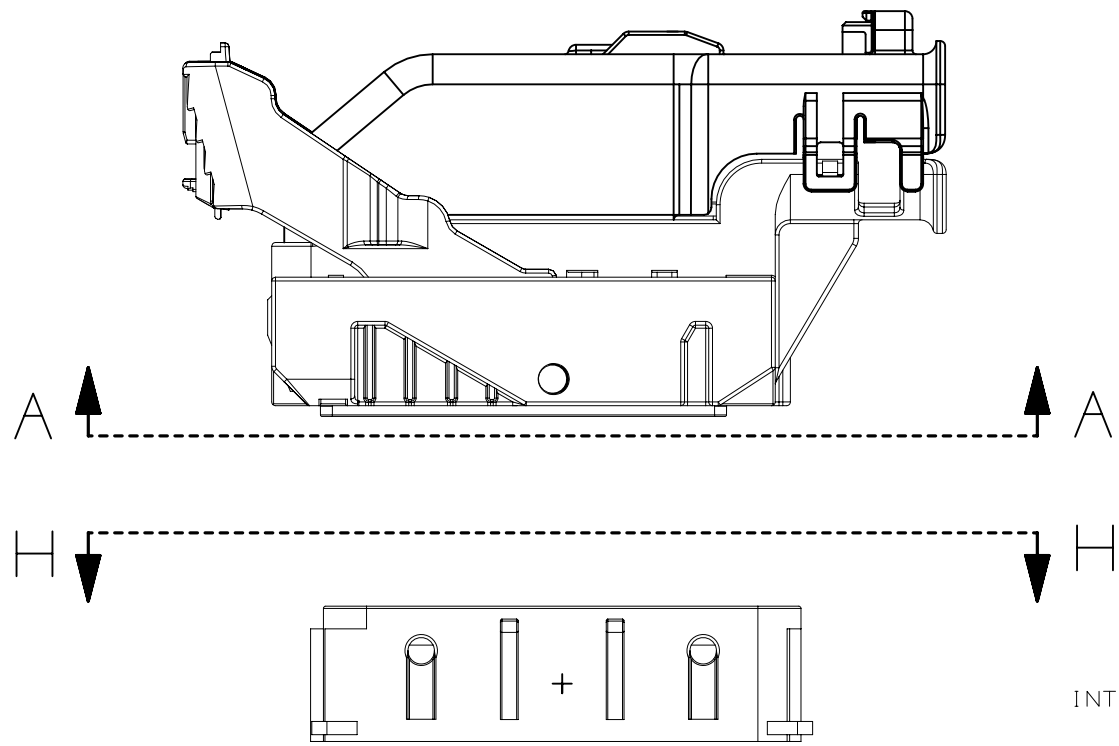
HARNESS CONNECTOR ASSEMBLY IN FULLY-MATED POSITION

HARNESS CONNECTOR CLEARANCE LINE

15.6 MIN. ALL AROUND CLEARANCE REQUIRED FOR HARNESS CONNECTOR (014)

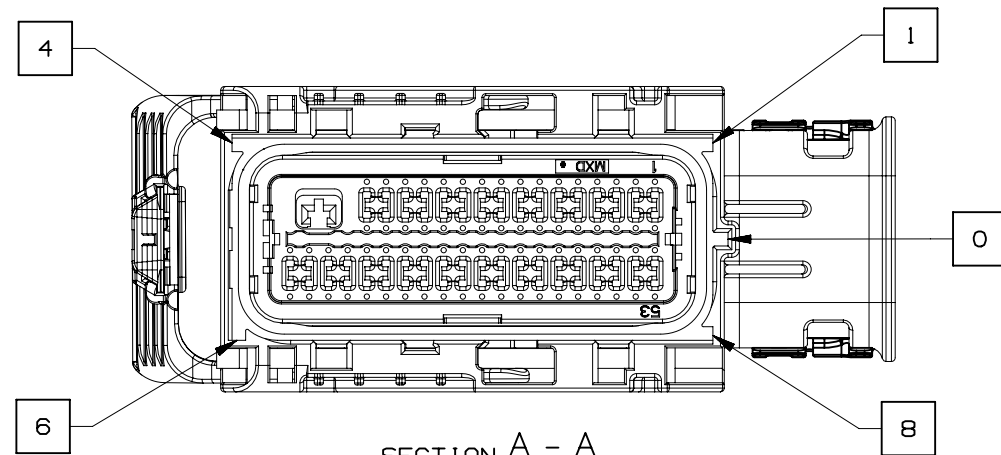
17.9 MIN. AT PAD LOCATION CLEARANCE REQUIRED FOR HARNESS CONNECTOR CONSTRUCTION BELOW THIS PLANE IS NOT CONTROLLED (015)

	PAGE TITLE LOCATION AND PACKAGING DIMENSIONS REFERENCING INTERFACE DATUM A	DRAWING NUMBER 12642695			DWG STATUS ST REV PDI R 002			PAGE NUMBER 10 OF 21	

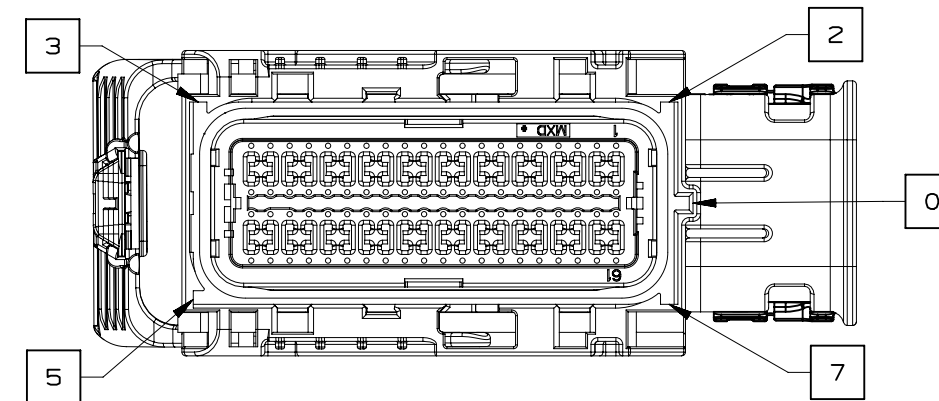


NOTE: REFERENCE THE COMPONENT TABLE FOR KEY OPTIONS AND CONFIGURATIONS

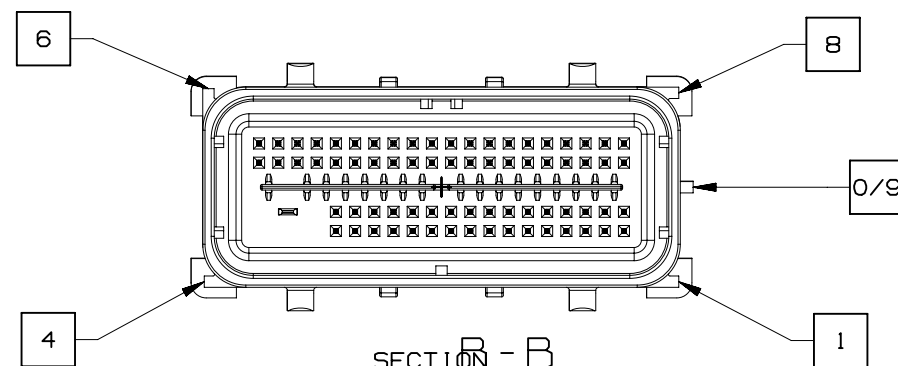
INTERFACE SIDE SHOWN ON ALL SECTION VIEWS



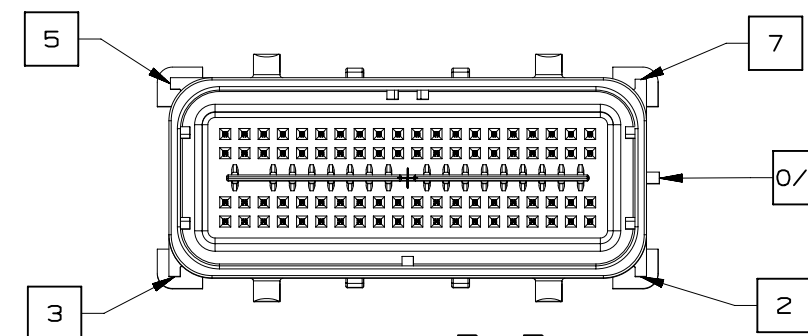
SECTION A - A
KEY OPTION B SHOWN



SECTION A - A
KEY OPTION K SHOWN



SECTION B - B
KEY OPTION B SHOWN



SECTION B - B
KEY OPTION K SHOWN

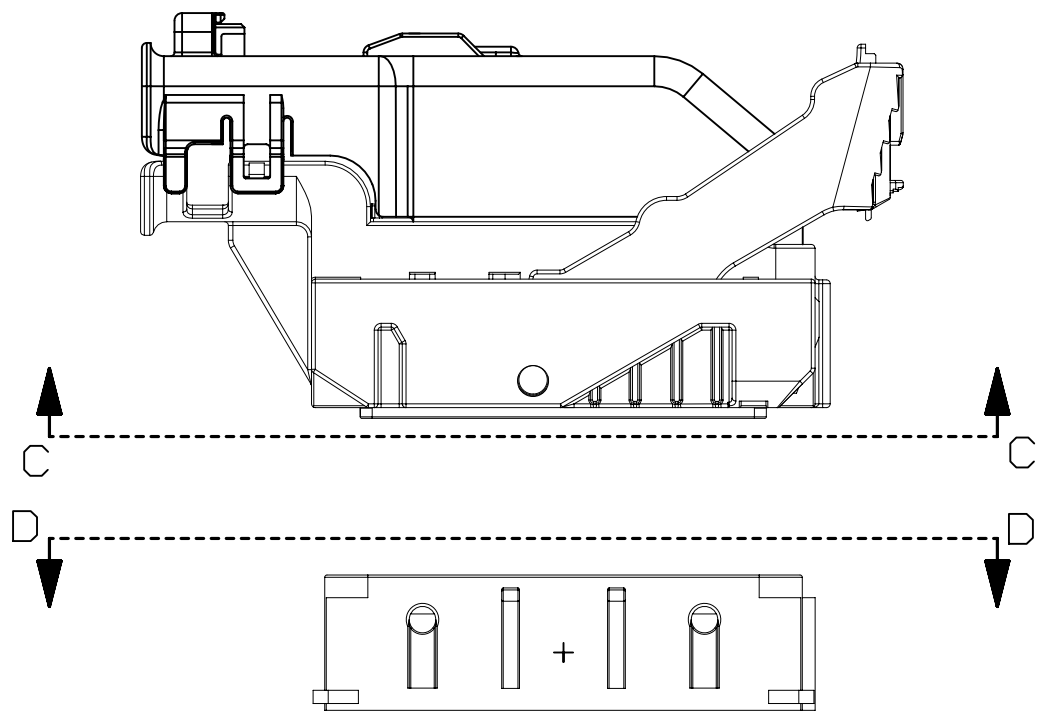


PAGE TITLE
KEY ID REF - WIRE DRESS OPTION 0

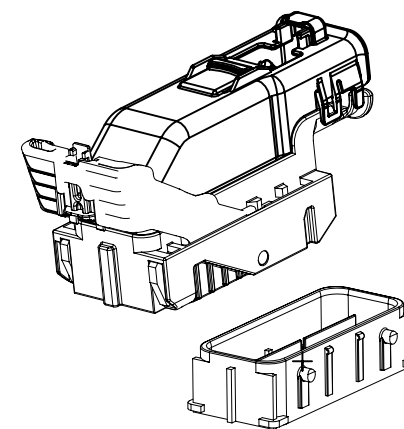
DRAWING NUMBER
12642695

DWG STATUS		
ST	REV	PD1
R	002	

PAGE NUMBER
11 OF 21

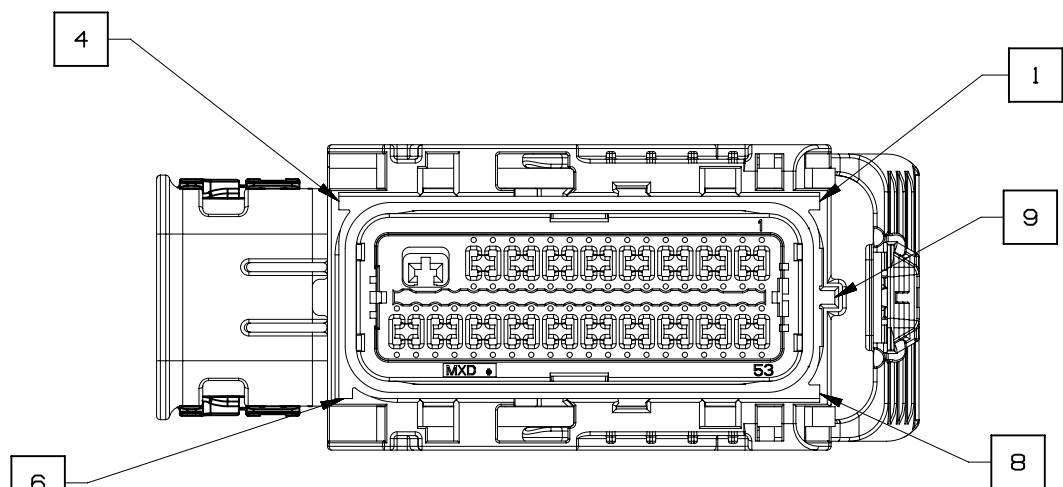


INTERFACE SIDE SHOWN ON ALL SECTION VIEWS

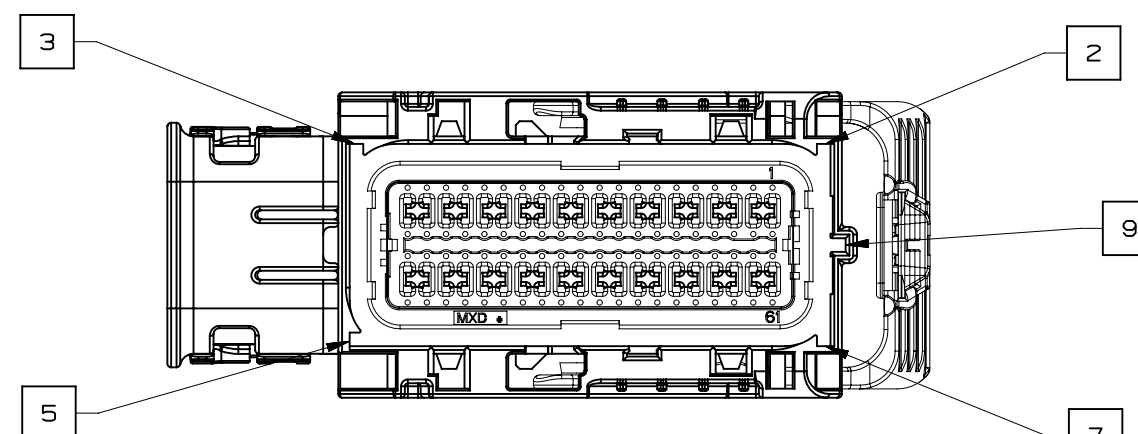


NOTE: REFERENCE THE COMPONENT TABLE FOR KEY OPTIONS AND CONFIGURATIONS

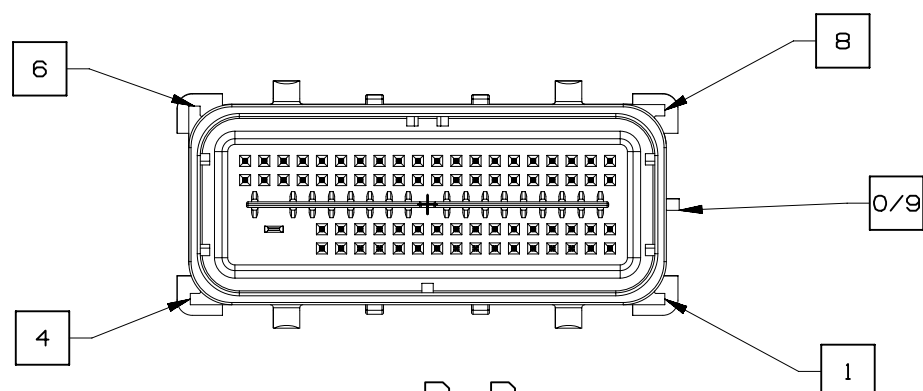
VIEW V



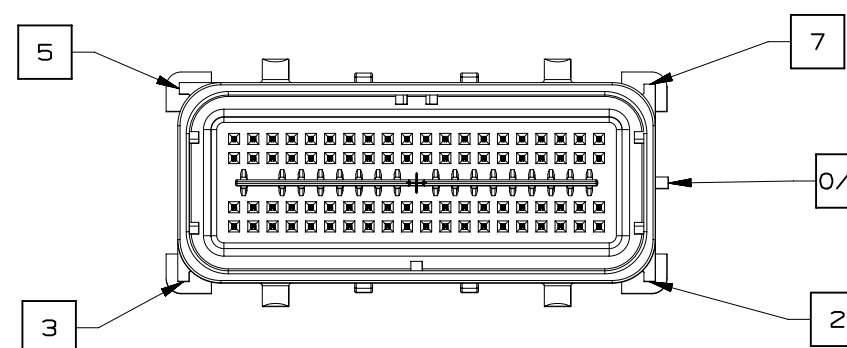
SECTION C-C
KEY OPTION B SHOWN



SECTION C-C
KEY OPTION K SHOWN



SECTION D-D
KEY OPTION B SHOWN



SECTION D-D
KEY OPTION K SHOWN

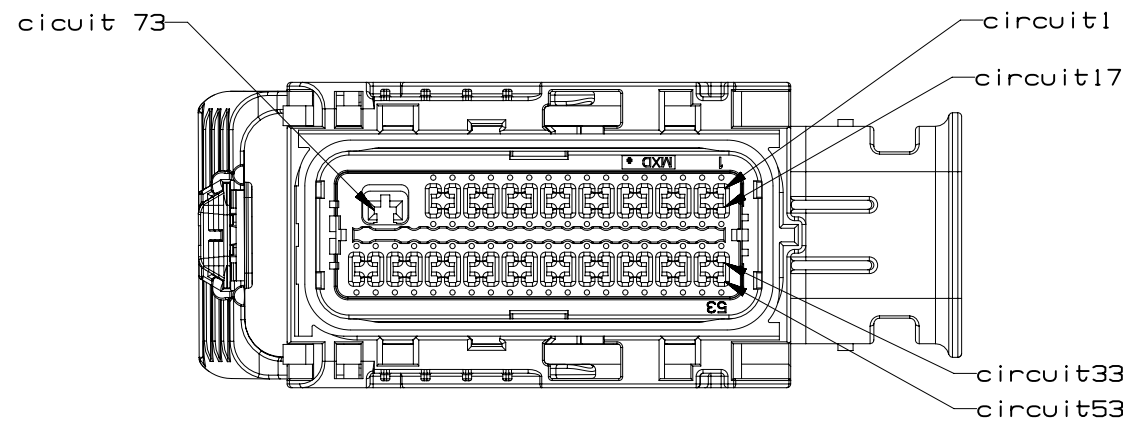


PAGE TITLE
KEY ID REF - WIRE DRESS OPTION 9

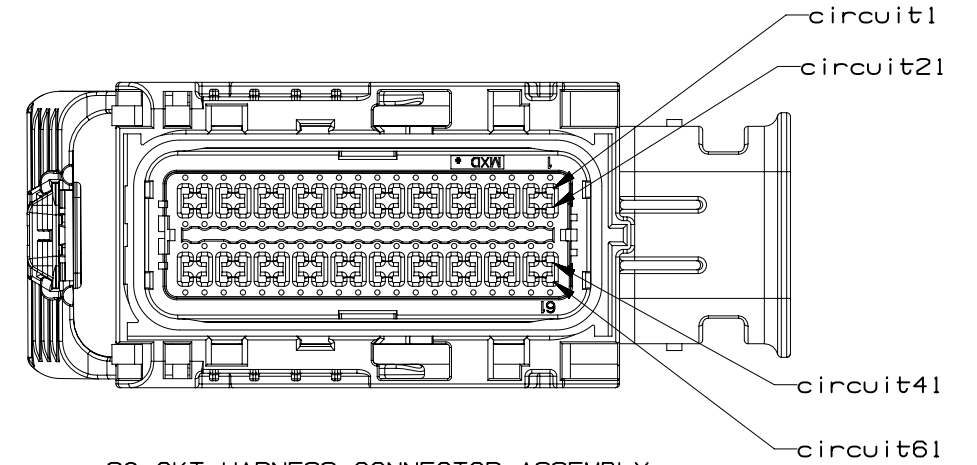
DRAWING NUMBER
12642695

DWG STATUS		
ST	REV	PD1
R	002	

PAGE NUMBER
12 OF 21

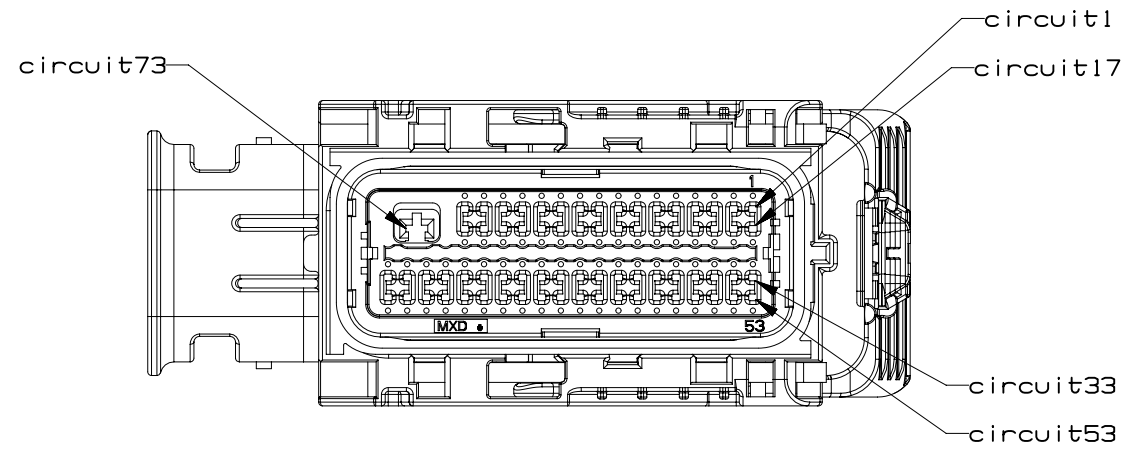


73 CKT HARNESS CONNECTOR ASSEMBLY
WIRE DRESS OPTION 0

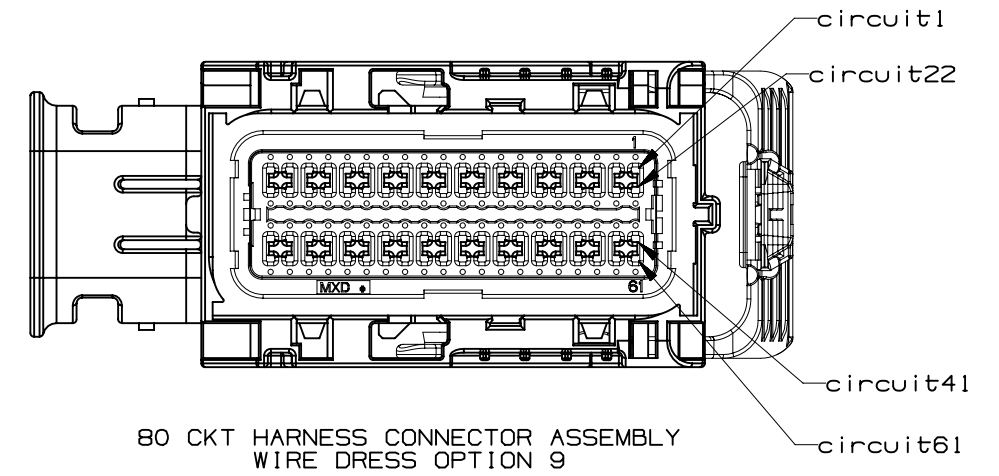


80 CKT HARNESS CONNECTOR ASSEMBLY
WIRE DRESS OPTION 0

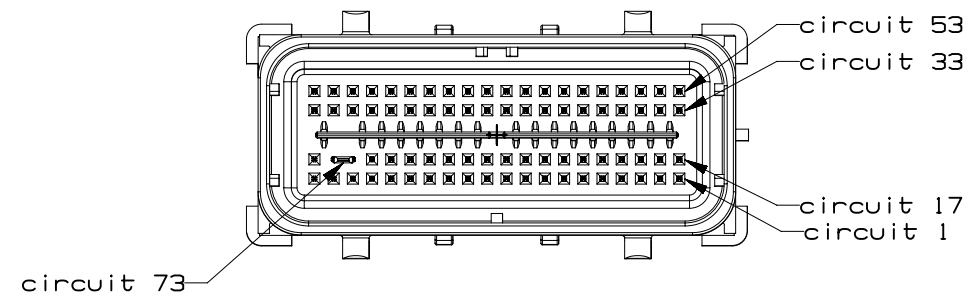
INTERFACE SIDE SHOWN ON ALL VIEWS



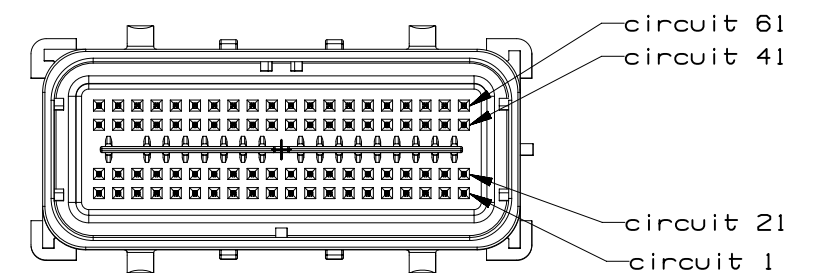
73 CKT HARNESS CONNECTOR ASSEMBLY
WIRE DRESS OPTION 9



80 CKT HARNESS CONNECTOR ASSEMBLY
WIRE DRESS OPTION 9

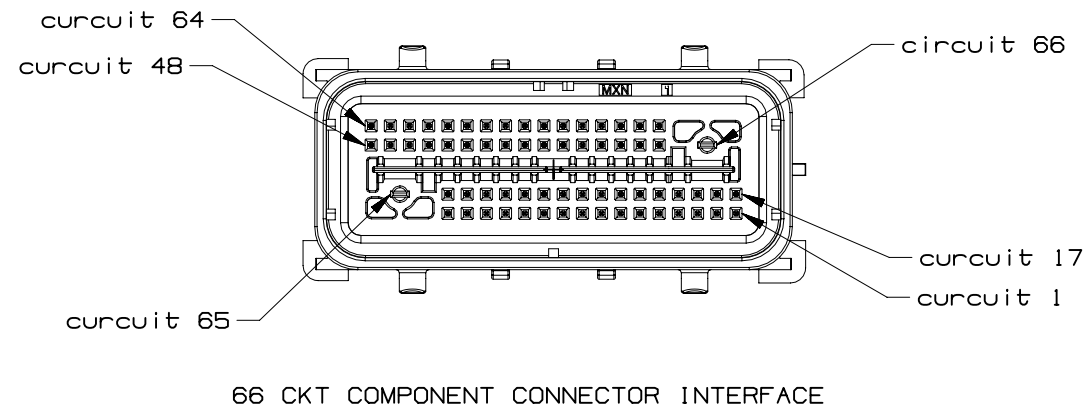
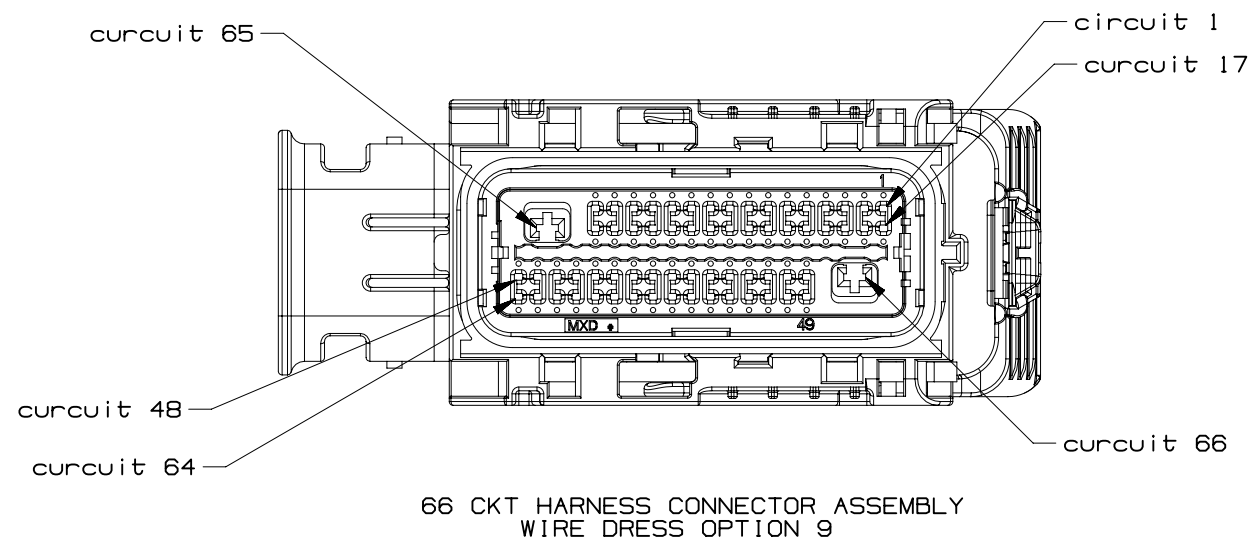
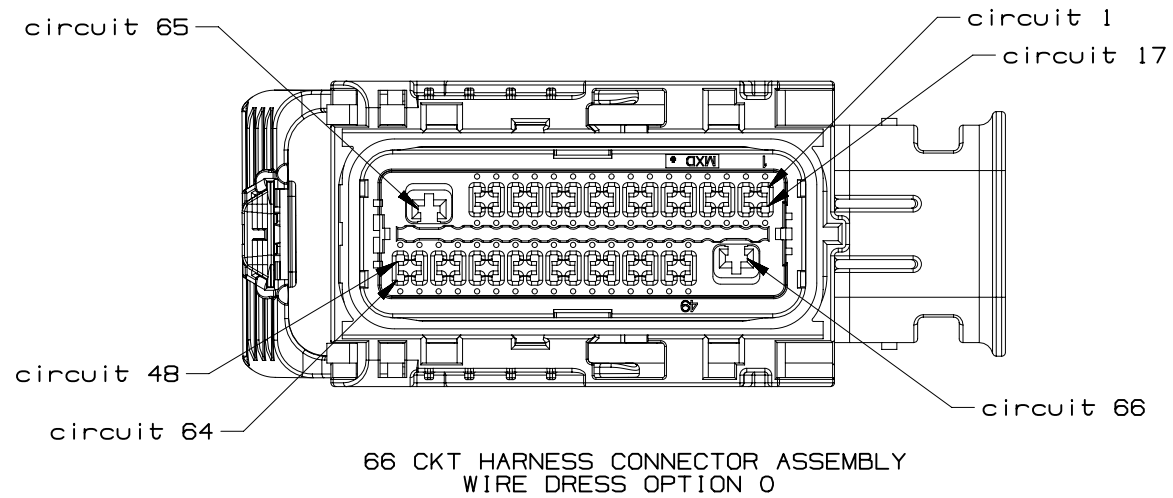


73 CKT COMPONENT CONNECTOR INTERFACE



80 CKT COMPONENT CONNECTOR INTERFACE



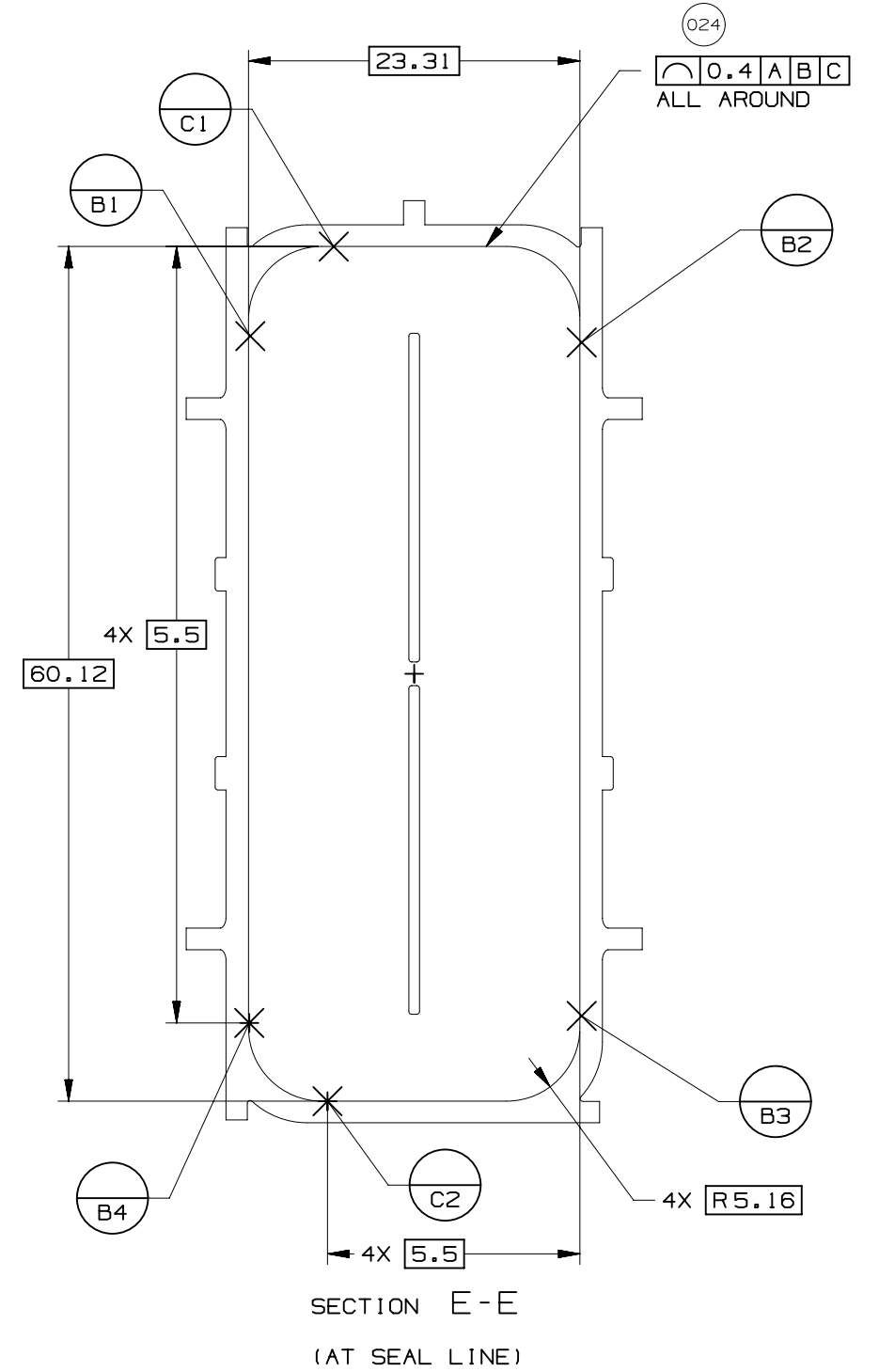
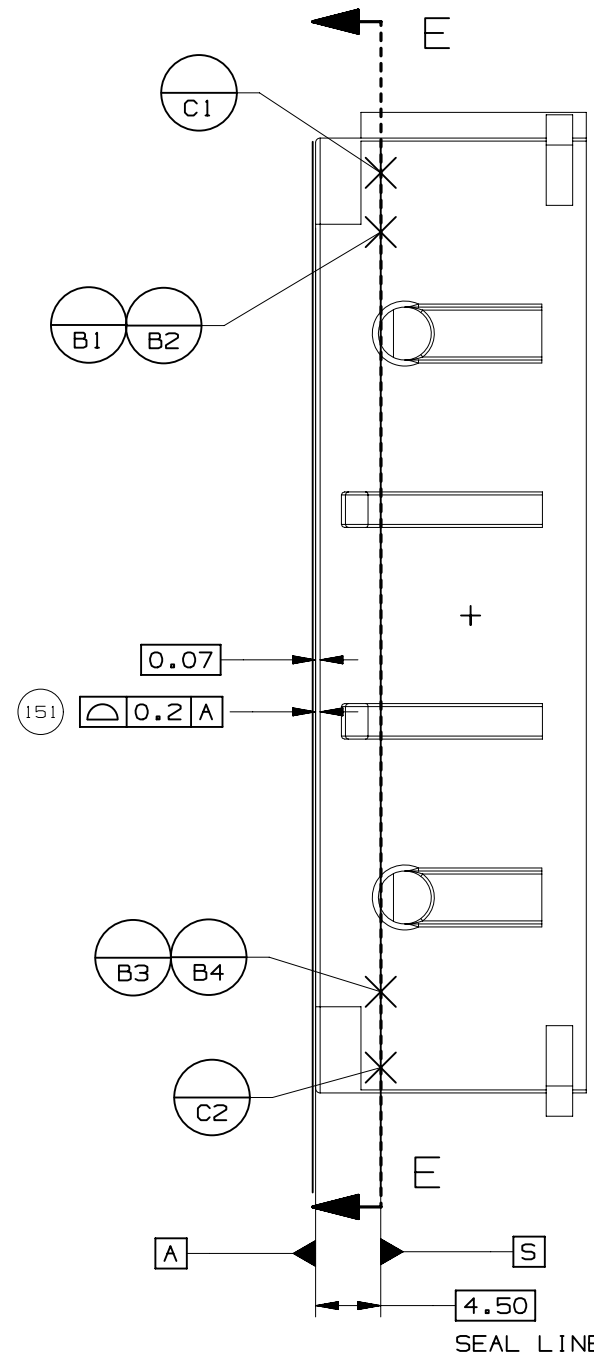
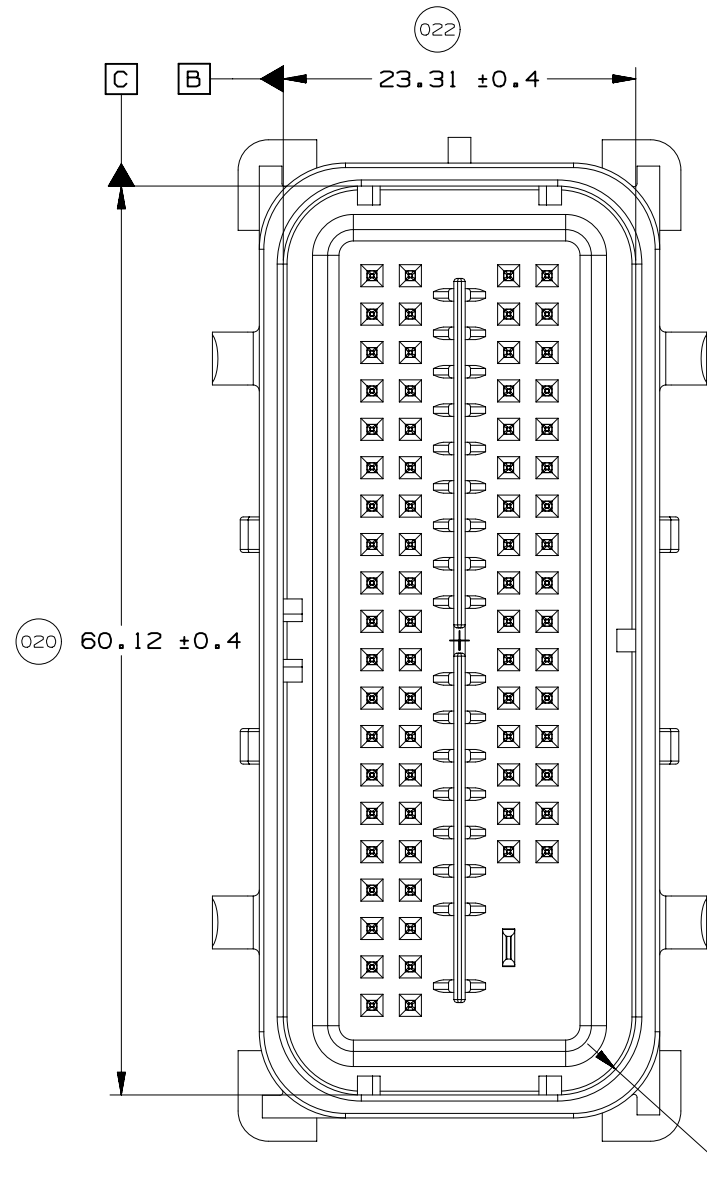
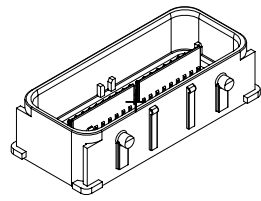


PAGE TITLE
CIRCUIT CONFIGURATIONS

DRAWING NUMBER
12642695

DWG STATUS		
ST	REV	PDI
R	002	

PAGE NUMBER
14 of 21



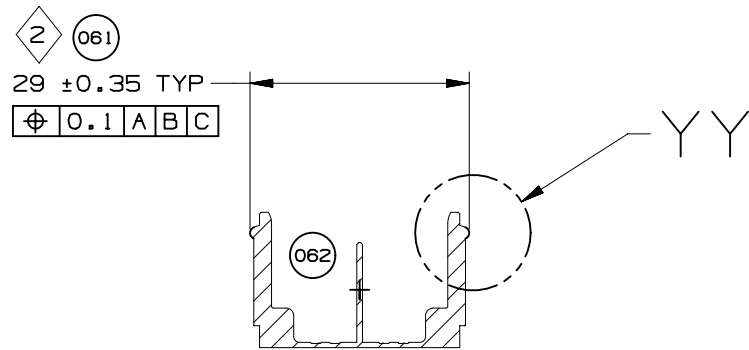
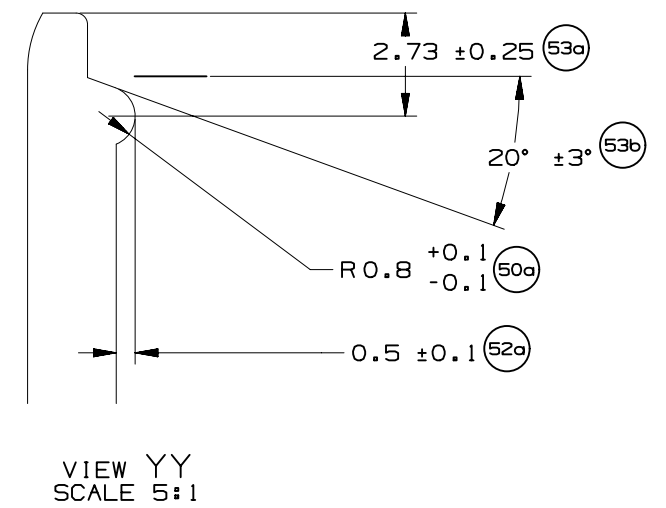
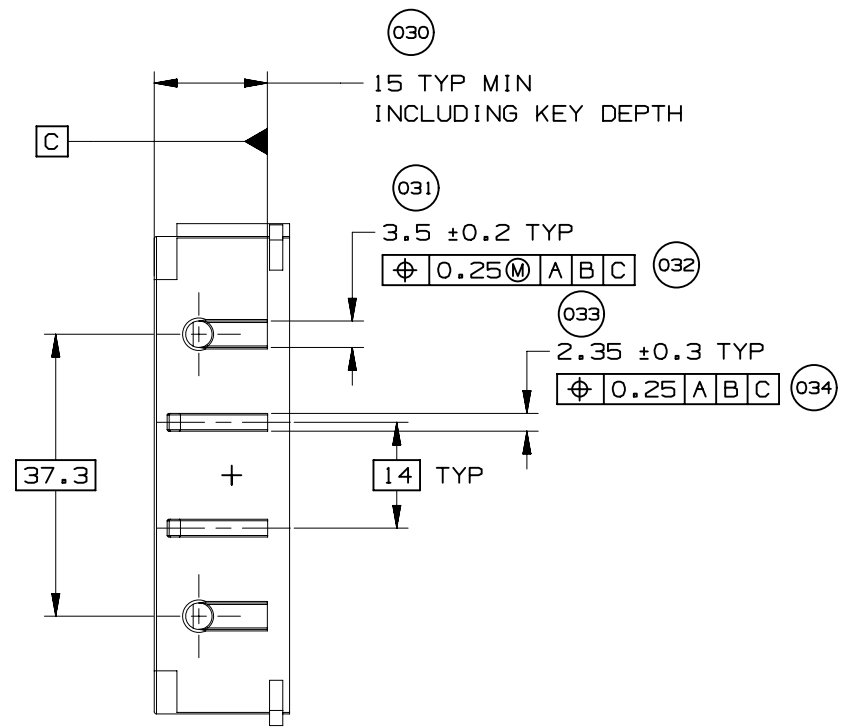
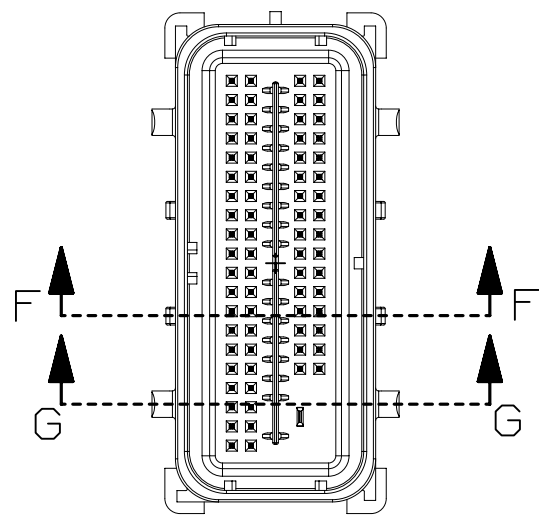
UNLESS SPECIFIED, TOLERANCE OF THE COMPONENT CONNECTOR INTERFACE TO BE $\sqrt[0.13]{A B C}$



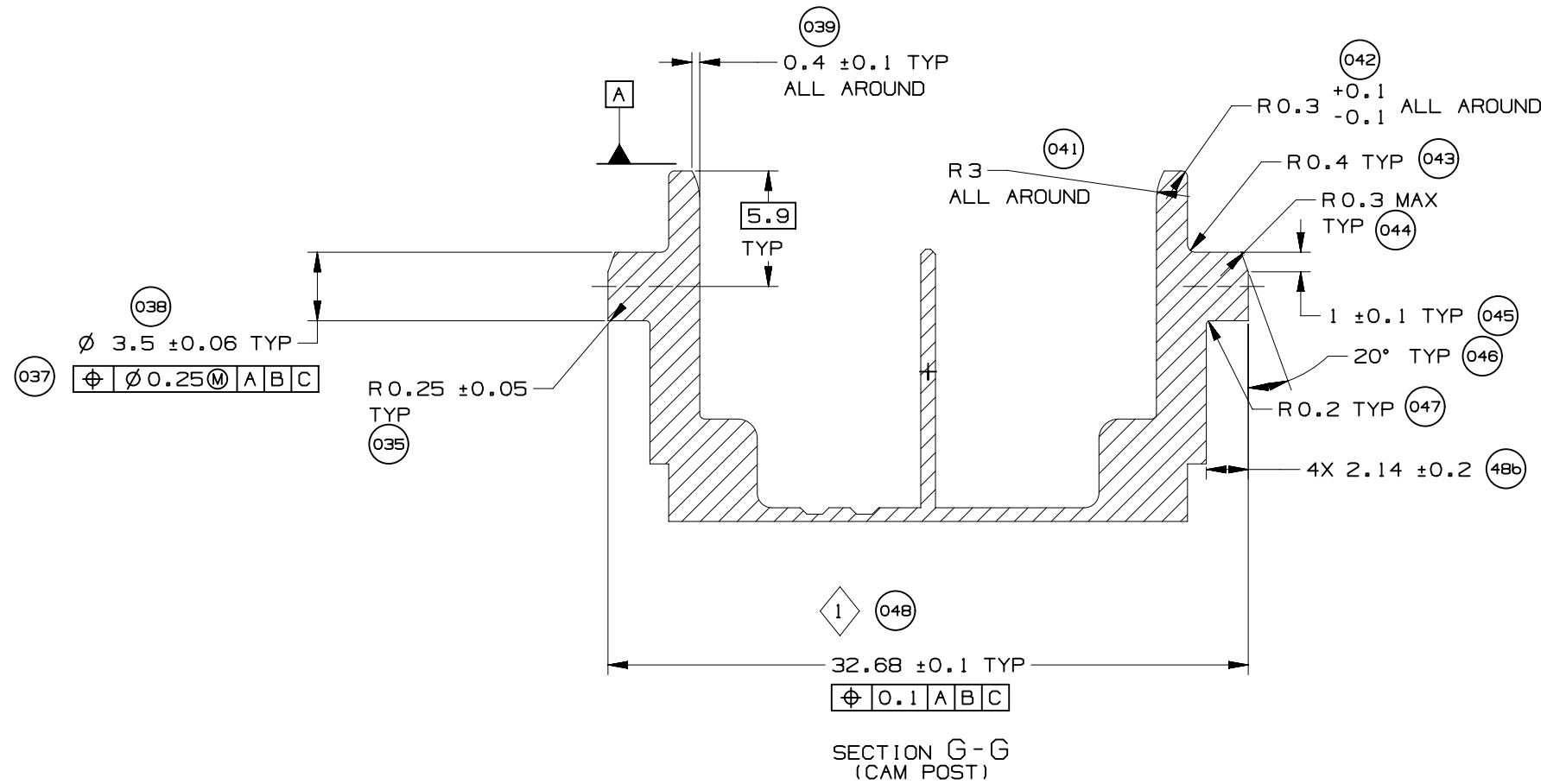
PAGE TITLE
COMPONENT CONNECTOR INTERFACE

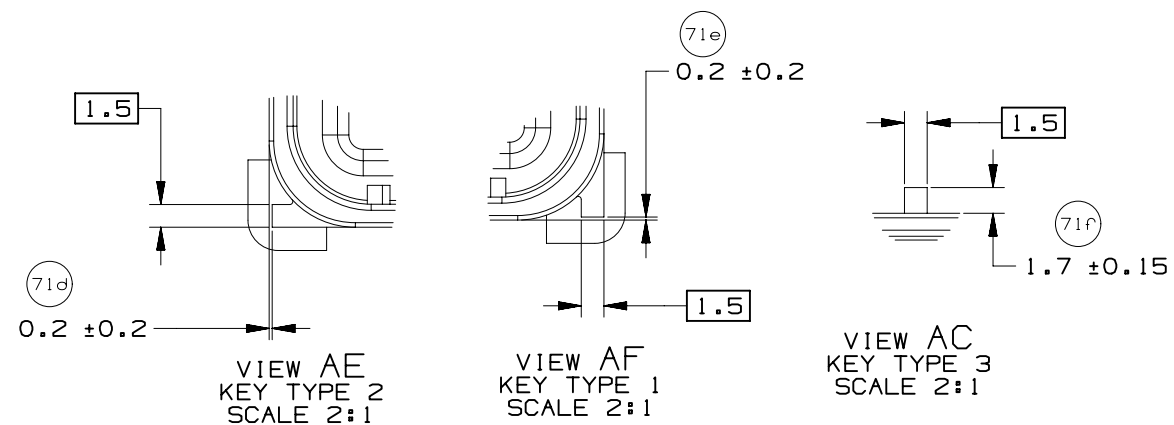
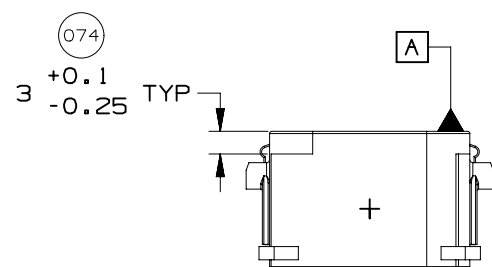
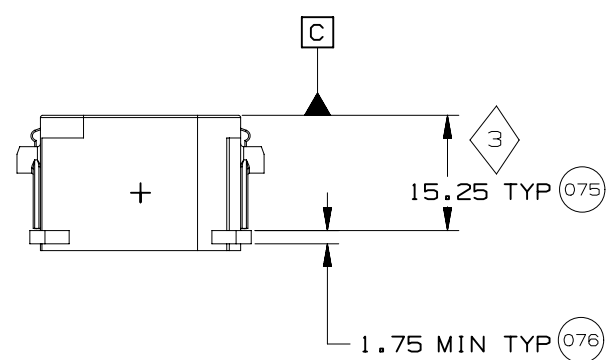
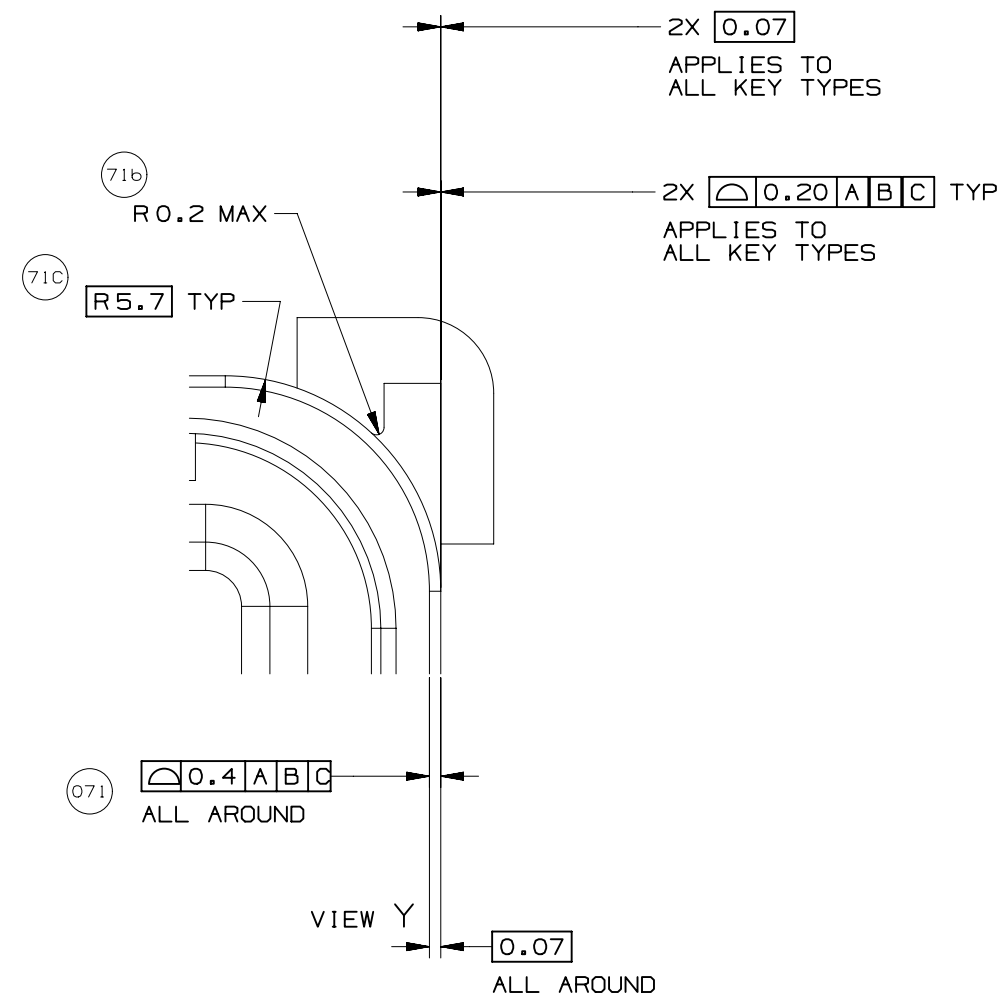
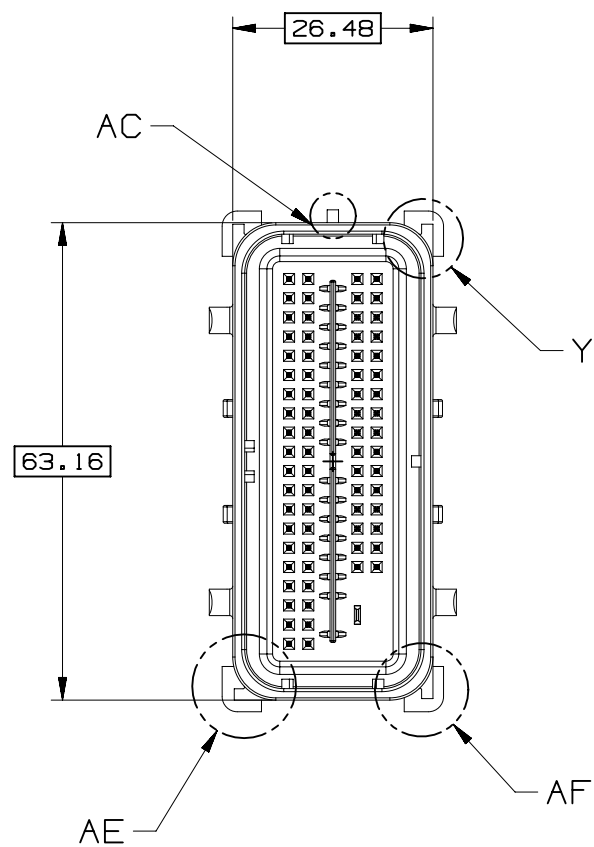
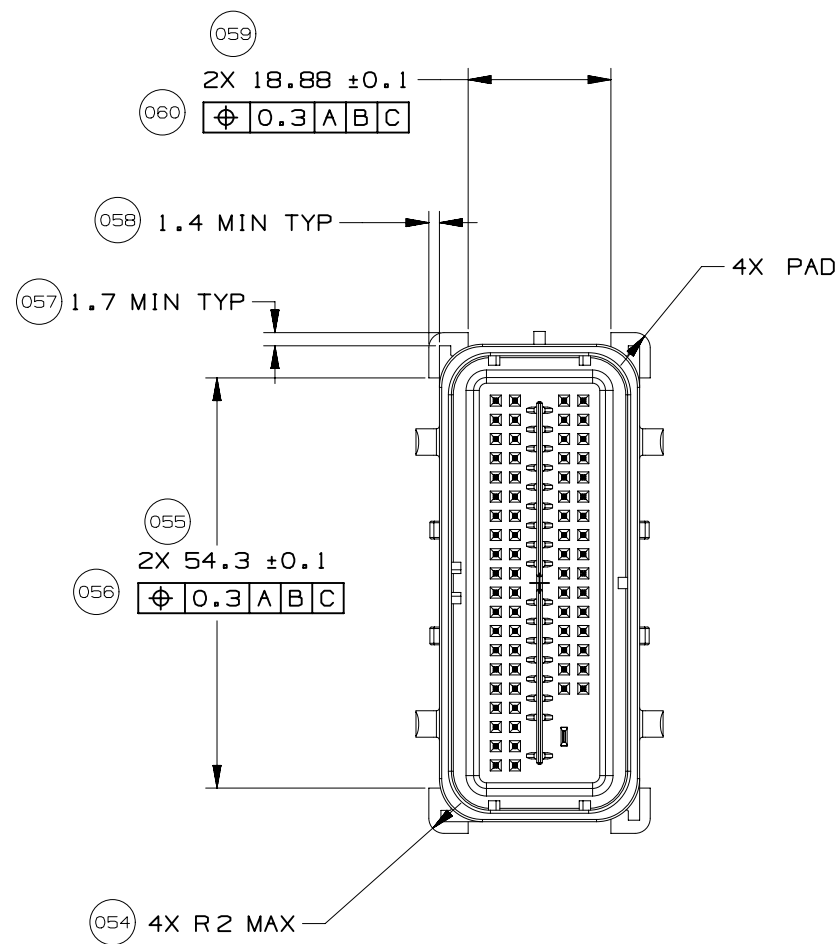
DRAWING NUMBER
12642695

DWG STATUS			PAGE NUMBER
ST	REV	PD1	
R	002		15 OF 21



SECTION F-F

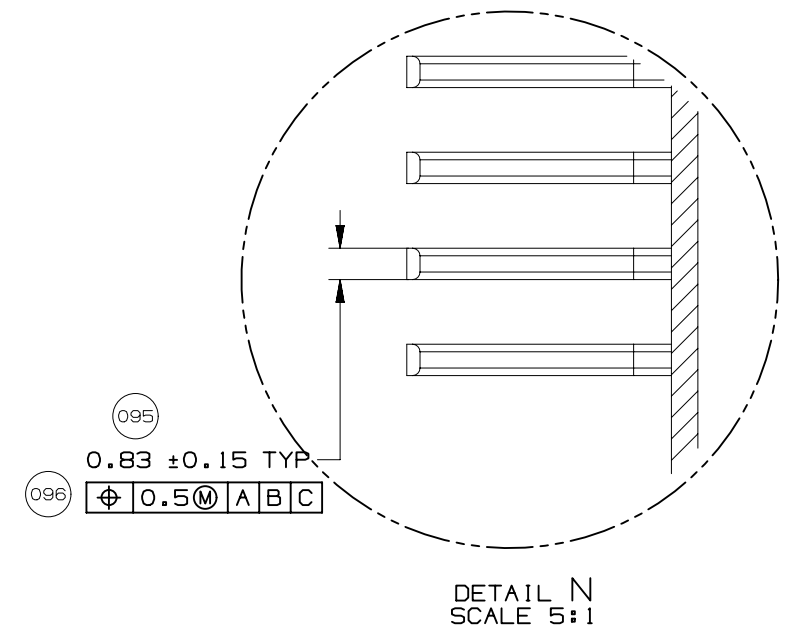
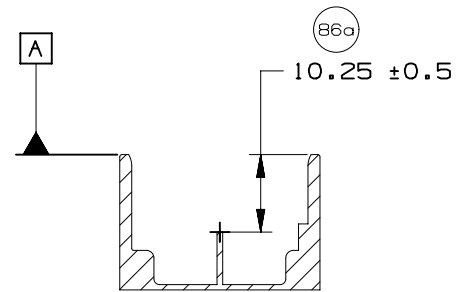
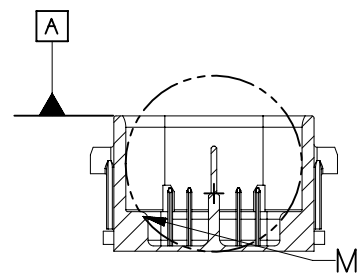
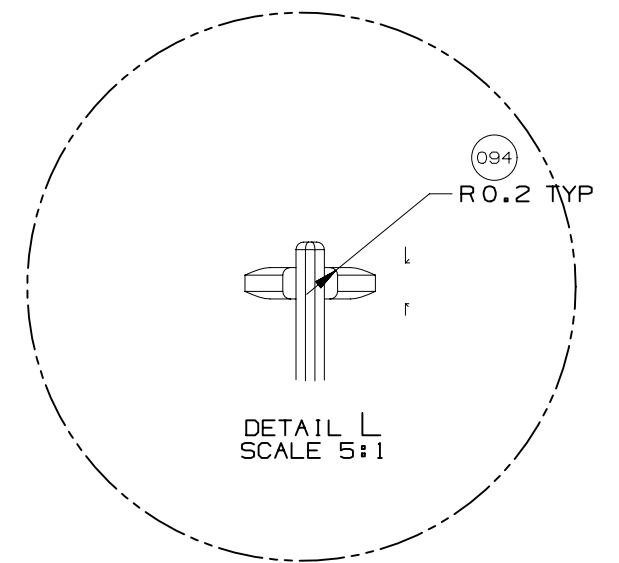
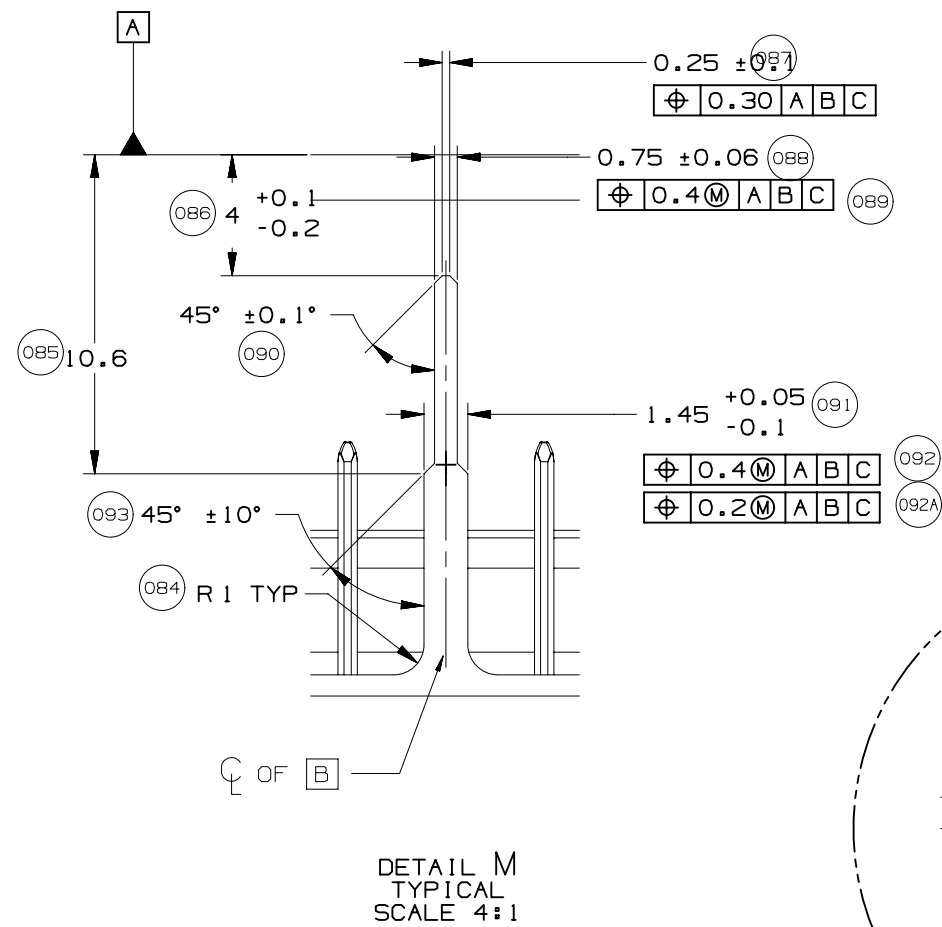
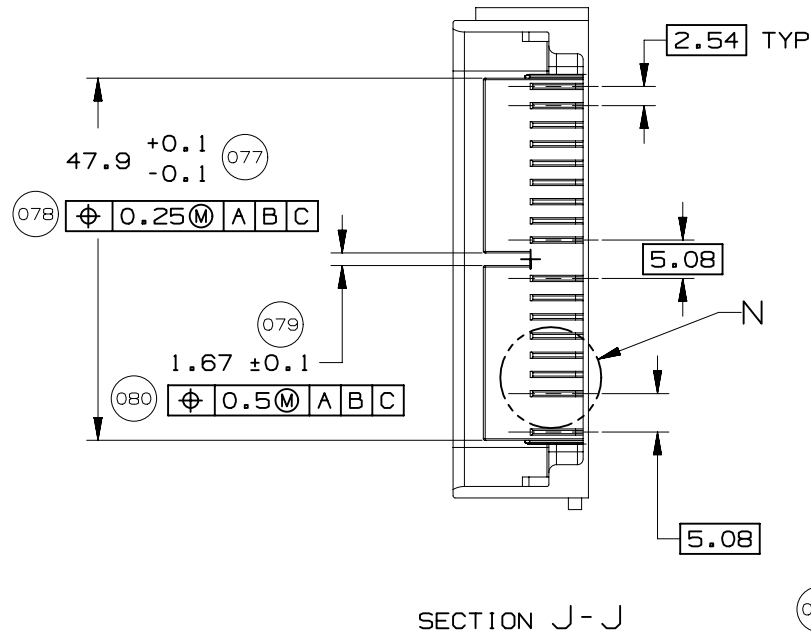
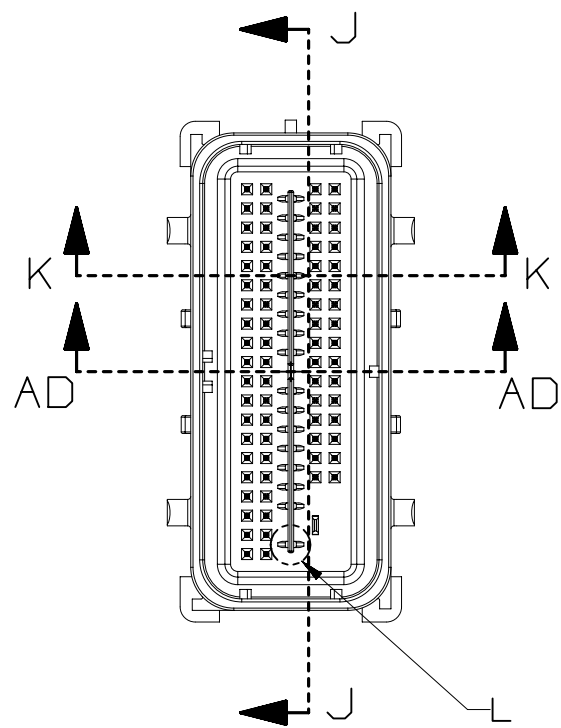


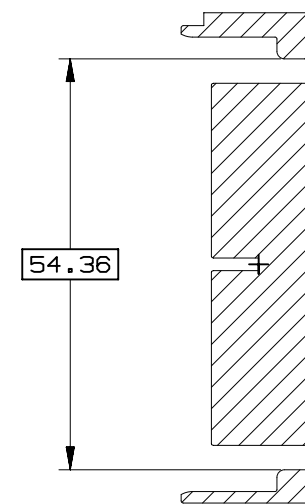
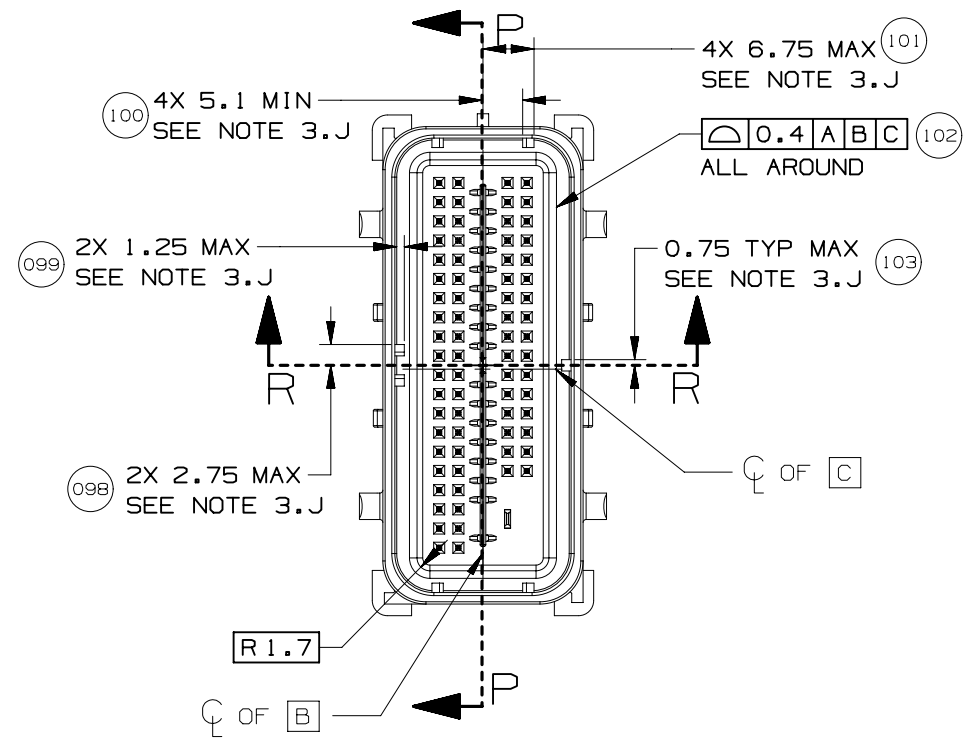


PAGE TITLE
 COMPONENT CONNECTOR INTERFACE

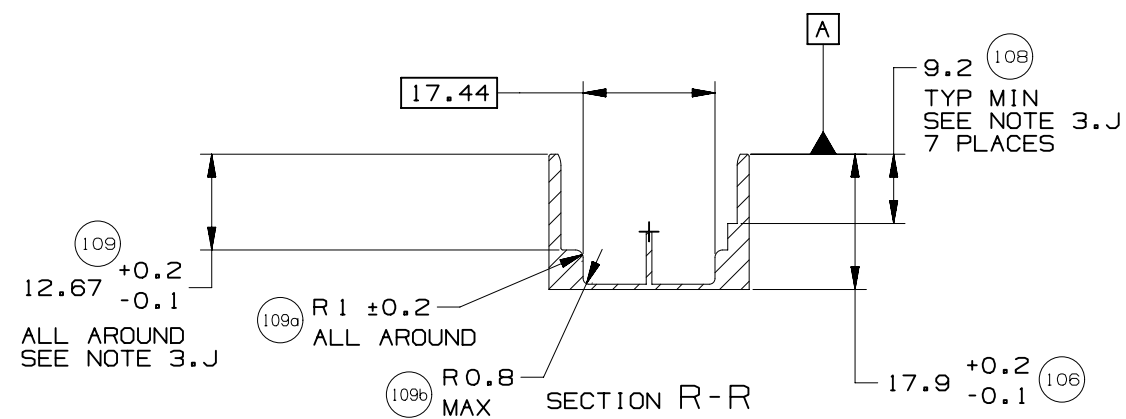
DRAWING NUMBER
 12642695

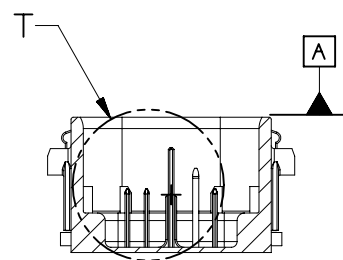
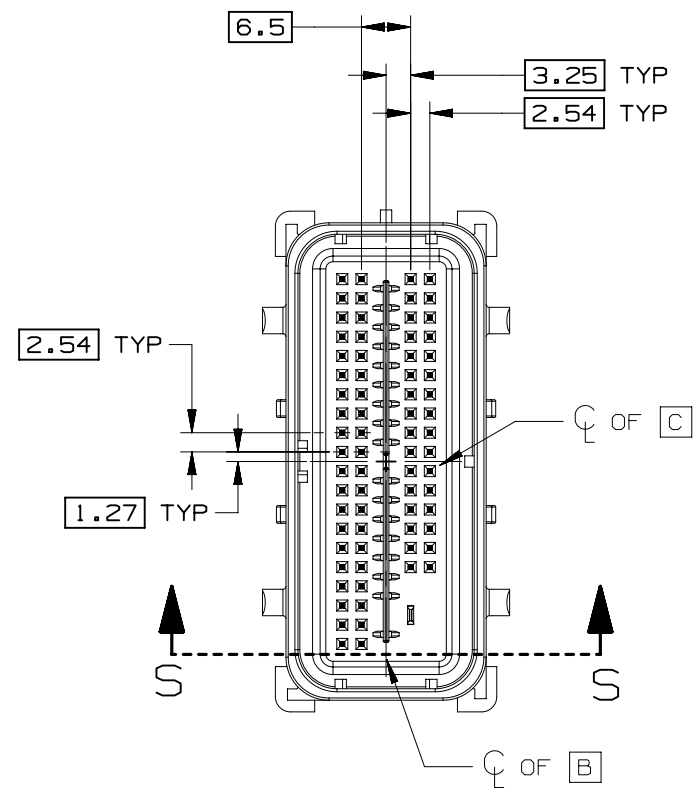
DWG STATUS			PAGE NUMBER
ST	REV	PD1	
R	002		17 OF 21



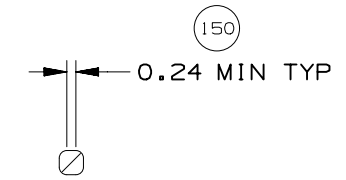
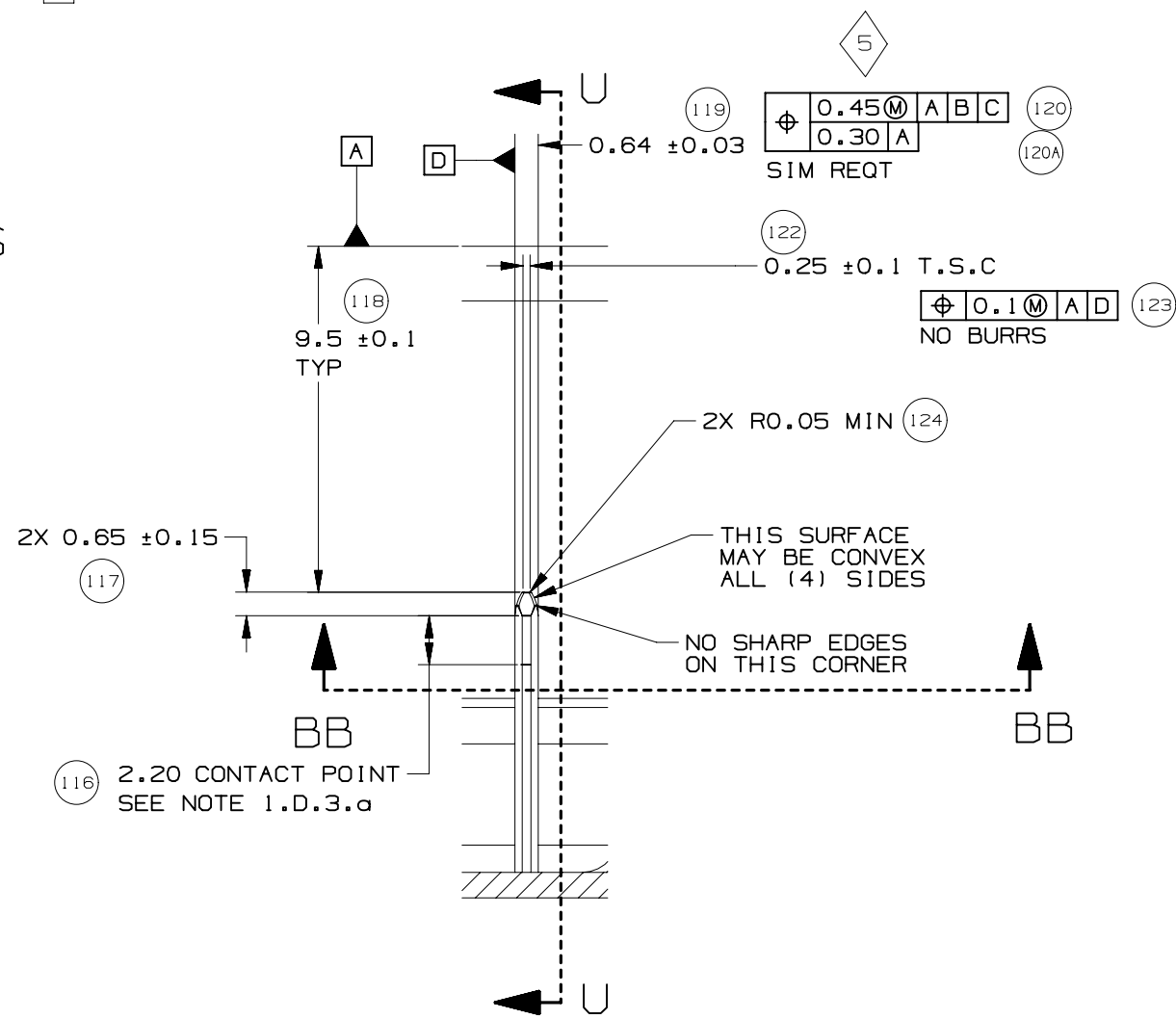


SECTION P-P

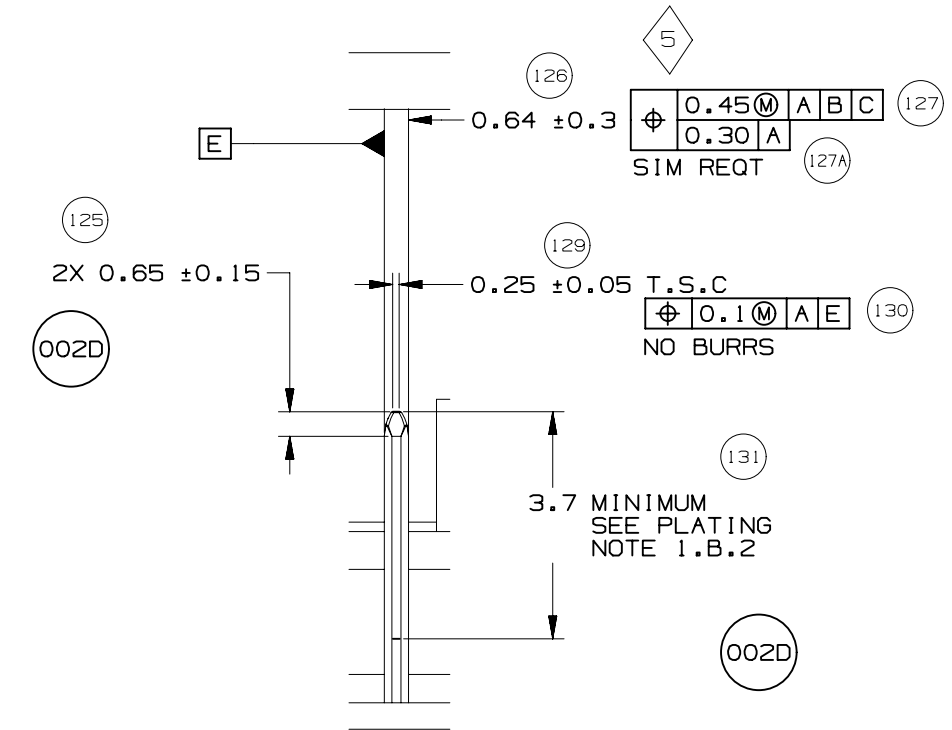


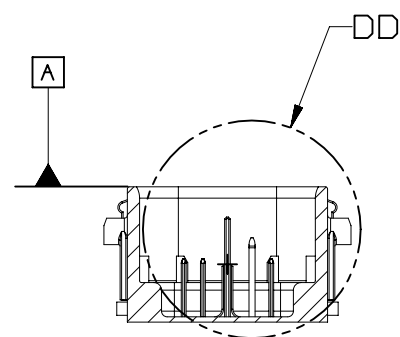
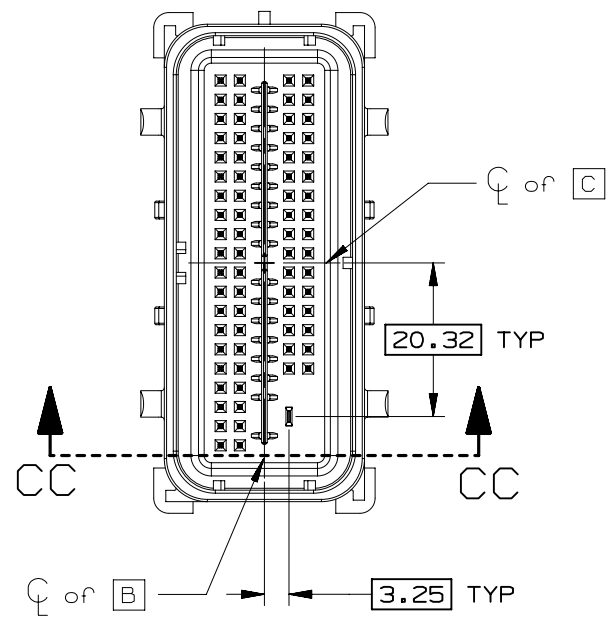


SECTION S-S

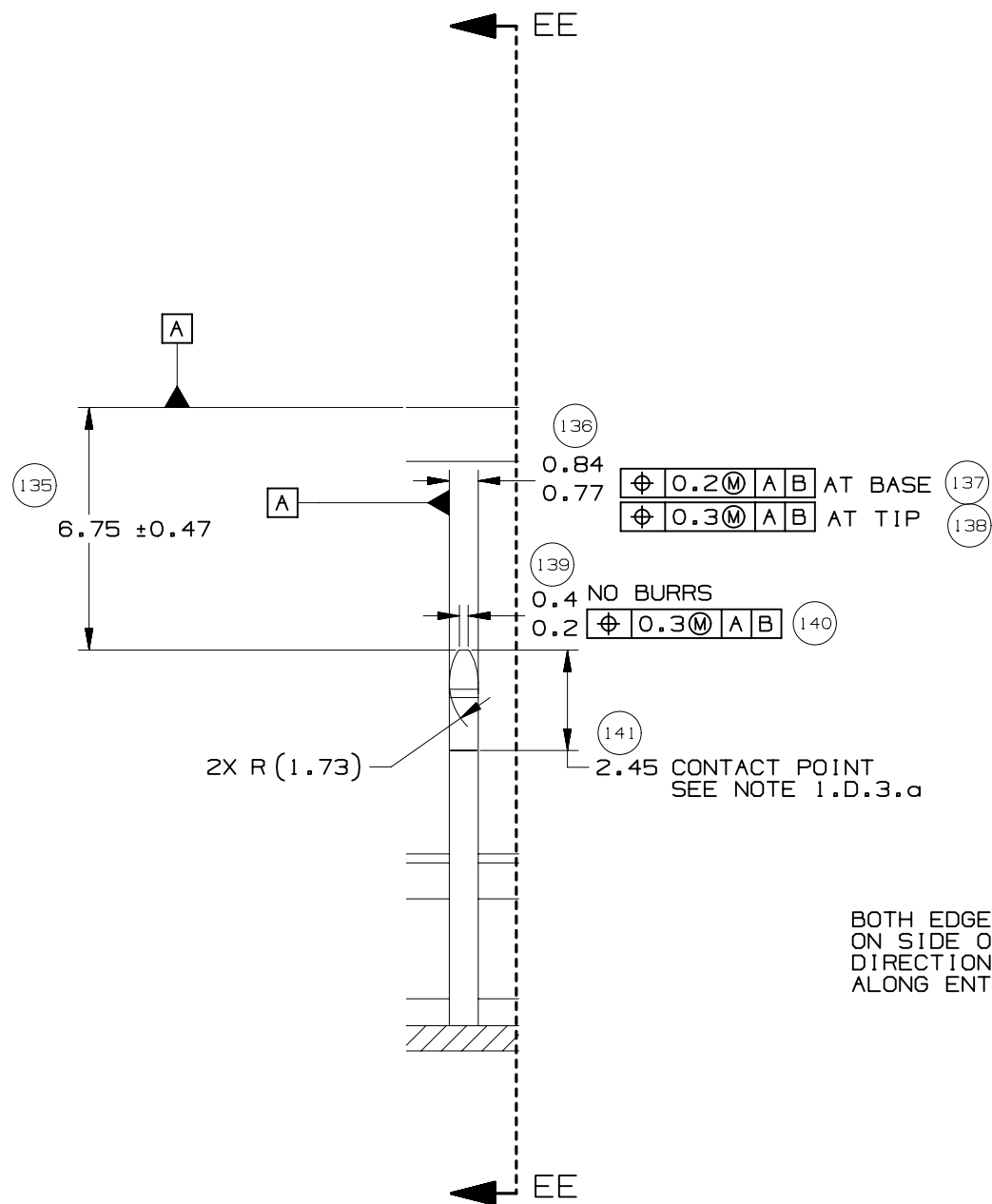


SECTION BB-BB

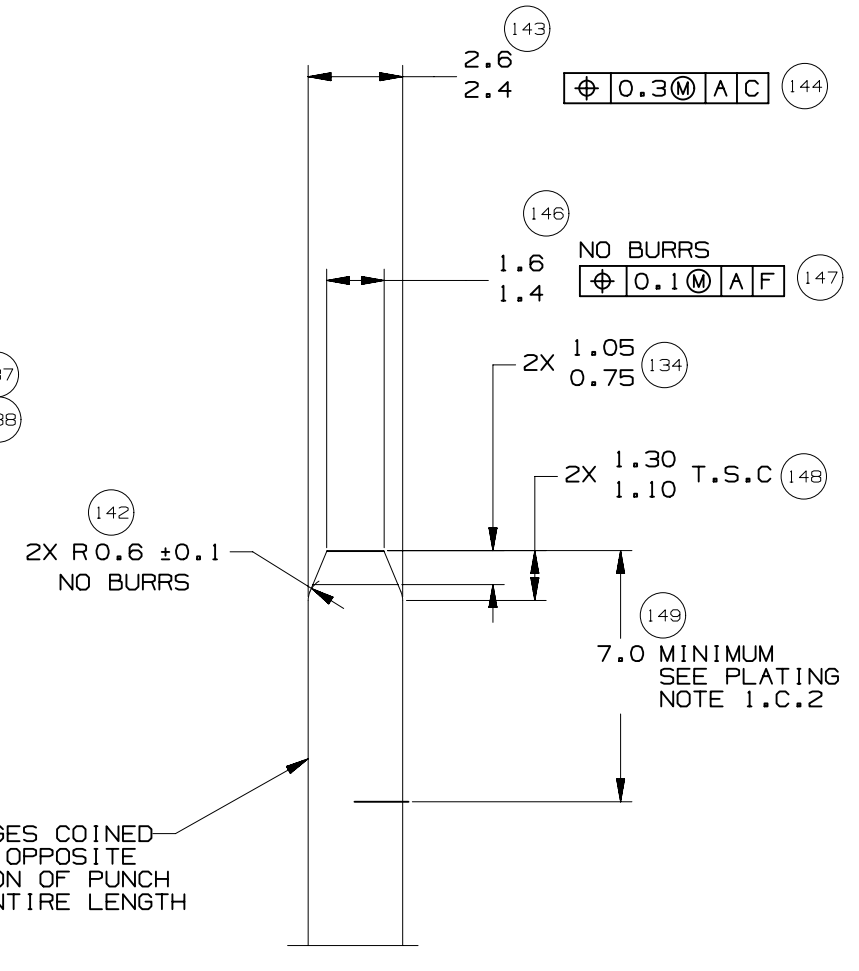




SECTION CC-CC



DETAIL DD
TYPICAL
SCALE 5:1

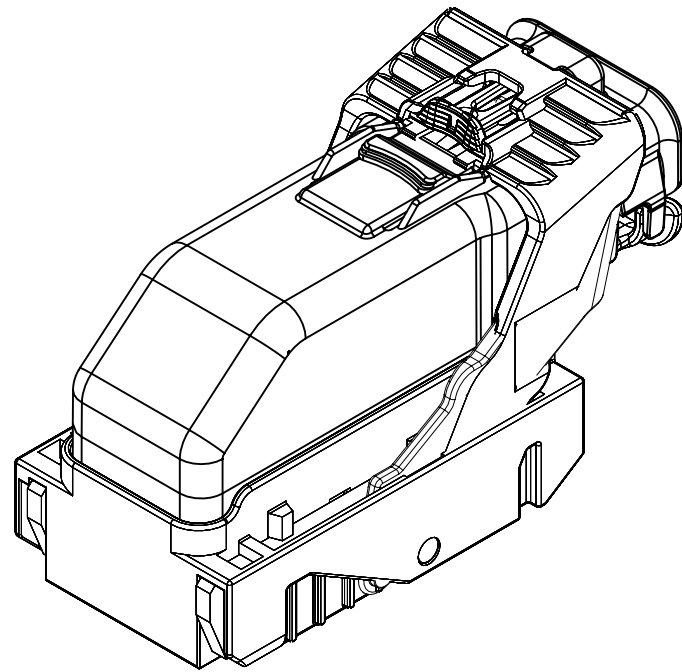


SECTION EE-EE
TYPICAL


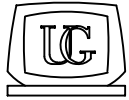
BOTH EDGES COINED
ON SIDE OPPOSITE
DIRECTION OF PUNCH
ALONG ENTIRE LENGTH



INDEX	
PAGE TITLE	PAGE
TITLE BLOCK	1
REVISION BLOCK	2
PART BLOCK	3
KPC BLOCK	4
COMPONENT TABLE	5
NOTES	6
NOTES	7
WIRE DRESS PACKAGING DIMENSIONS	8
LOCATION AND PACKAGING DIMENSIONS REFERENCING INTERFACE DATUMS B & C	9
LOCATION AND PACKAGING DIMENSIONS REFERENCING INTERFACE DATUM A	10
KEY ID REF - WIRE DRESS OPTION 0	11
KEY ID REF - WIRE DRESS OPTION 9	12
CIRCUIT CONFIGURATIONS	13
CIRCUIT CONFIGURATIONS	14
COMPONENT CONNECTOR INTERFACE	15
COMPONENT CONNECTOR INTERFACE	16
COMPONENT CONNECTOR INTERFACE	17
COMPONENT CONNECTOR INTERFACE	18
COMPONENT CONNECTOR INTERFACE	19
COMPONENT CONNECTOR INTERFACE	20
COMPONENT CONNECTOR INTERFACE	21




ISO VIEW

	<p>UNLESS OTHERWISE SPECIFIED: THIS DOCUMENT IS IN ACCORDANCE WITH ASME Y14.5M-1994 AS AMMENDED BY THE GM GLOBAL DIMENSIONING AND TOLERANCING ADDENDUM-1997. ALL GEOMETRIC TOLERANCES AND RELATED DATUMS APPLY RFS. RULE #1 (PERFECT FORM AT MMC) DOES NOT APPLY WHEN A RELATIONSHIP BETWEEN FEATURES IS ESTABLISHED BY ORIENTATION OR LOCATION TOLERANCES. SEPARATE POSITION CALLOUTS MAY BE GAGED SEPARATELY REGARDLESS OF DATUM REFERENCES.</p>			DATE
	 CHANGE RESTRICTED NO MANUAL CHANGES	REFERENCE 12H (MOLEX AUTOMOTIVE)	DRAFTER J SZYMKOWSKI APVD1 D PFAFFINGER APVD2 B BURT APVD3 APVD4 APVD5	22DE05 22DE05 22DE05
DO NOT SCALE	DRAWING NAME			
METRIC DIMENSIONS SHOWN IN MILLIMETERS UNLESS OTHERWISE SPECIFIED	HARNES CONN ASM 66/73/80 CKTS			
	DRAWING NUMBER 12642695	DWG STATUS		PAGE NUMBER 1 OF 21
		ST	REV	
		R	002	

PAGE	DWG STATUS					REVISION HISTORY	AUTH	DR	CK	ENG
	DATE	ST	REV	CHG	PDI					
	19DE11	R	001			RELEASED TO PRODUCTION AT DLS A	CRMRJB	SC	MRO	GF
3	08MY15	R	002	A		REORDERED PART BLOCK AND ADDED MASS CORRECTED P/N TYPO FROM 12562676 TO 12582676				
3, 5		R	002	B		ADDED 12659312, 12659313, 12653574 AND 12653575				
6		R	002	C		REMOVED NOTE 1 . D . 3 . C				
20		R	002	D		DIM 125 WAS 3.25 DIM 131 WAS 5.5	CRMRJD	DFK	MRO	GF

PAGE	DWG STATUS					REVISION HISTORY	AUTH	DR	CK	ENG
	DATE	ST	REV	CHG	PDI					

	PAGE TITLE	DRAWING NUMBER	DWG STATUS			PAGE NUMBER	
	REVISION BLOCK		12642695	ST	REV	PDI	2 OF 21
				R	002		

KEY PRODUCT CHARACTERISTICS
(IN ACCORDANCE WITH QN 1805 OR ON 1050)



SAFETY/COMPLIANCE

TOTAL ON
DRAWING

5



FIT/FUNCTION

LAST NO.
USED

5

NO	TYPE	DESCRIPTION	RATIONALE	PAGE/ZONE
1	F/F	32.68	IMPROVE CONNECTOR SYSTEM MATING	15
2	F/F	29.00	INSURE PROPER RELEASE OF LEVER	15
3	F/F	15.25	INSURE FINAL MATE POSITION	16
5	F/F	POSITIONAL TOLERANCE (2 PLACES)	INSURE CONNECTOR SYSTEM MATEABILITY	19



PAGE TITLE
KPC BLOCK

DRAWING NUMBER

12642695

DWG STATUS

ST	REV	PD1
----	-----	-----

R	002	
---	-----	--

PAGE NUMBER

4 OF 21

LINE	MFG.	MFG. P/N	GM P/N	EFFECTIVE DATE	APPLICABLE COMPONENTS	KEY OPTION	WIRE DRESS OPTION	KEY CONFIG.	COLOR	STATUS
					DESCRIPTION					
-										
1	MOLEX	34565-0003	12582676	02JN03	MX123 DRESS COVER 66/73/80 CKT	N/A	N/A	N/A	BLACK	AVAILABLE
2	MOLEX	34822-0013	12642692	01SP13	MX123 HRNS CONN ASSY 66 CKT	A	0	1458	BLACK	AVAILABLE
3	MOLEX	34822-0033	12659312	01SP13	MX123 HRNS CONN ASSY 66 CKT	C	0	2467	BLUE	AVAILABLE
4	MOLEX	34822-0023	12642693	01SP13	MX123 HRNS CONN ASSY 66 CKT	A	9	1458	BLACK	AVAILABLE
5	MOLEX	34822-0043	12659313	01SP13	MX123 HRNS CONN ASSY 66 CKT	C	9	2467	BLUE	AVAILABLE
6	MOLEX	34566-0103	12582677	11JN04	MX123 HRNS CONN ASSY 73 CKT	A	0	1458	BLACK	AVAILABLE
7	MOLEX	34566-0203	12582678	11JN04	MX123 HRNS CONN ASSY 73 CKT	B	0	1468	ST GRAY	AVAILABLE
8	MOLEX	34566-0303	12615654	09AP08	MX123 HRNS CONN ASSY 73 CKT	C	0	2467	BLUE	AVAILABLE
9	MOLEX	34566-0403	12647268	T.B.D	MX123 HRNS CONN ASSY 73 CKT	D	0	2367	BROWN	NOT ACTIVE
10	MOLEX	34566-0503	AMJ28633	T.B.D	MX123 HRNS CONN ASSY 73 CKT	E	0	2468	GREEN	NOT ACTIVE
11	MOLEX	34566-0603	12653574	05DC14	MX123 HRNS CONN ASSY 73 CKT	F	0	1357	NATURAL	AVAILABLE
12	MOLEX	34566-0703	12588057	09AP08	MX123 HRNS CONN ASSY 80 CKT	G	0	1358	BLUE	AVAILABLE
13	MOLEX	34566-0803	12588058	11JN04	MX123 HRNS CONN ASSY 80 CKT	H	0	2458	ST GRAY	AVAILABLE
14	MOLEX	34566-0903	12615656	T.B.D	MX123 HRNS CONN ASSY 80 CKT	J	0	2457	BLACK	NOT ACTIVE
15	MOLEX	34566-1003	AMJ28595	T.B.D	MX123 HRNS CONN ASSY 80 CKT	K	0	2357	BROWN	NOT ACTIVE
16	MOLEX	34566-1103	AMJ29057	T.B.D	MX123 HRNS CONN ASSY 80 CKT	L	0	2368	GREEN	NOT ACTIVE
17	MOLEX	34566-1203	AMJ28669	T.B.D	MX123 HRNS CONN ASSY 80 CKT	M	0	2358	NATURAL	NOT ACTIVE
18	MOLEX	34566-1303	12603596	11JN04	MX123 HRNS CONN ASSY 73 CKT	A	9	1458	BLACK	AVAILABLE
19	MOLEX	34566-1403	12603597	11JN04	MX123 HRNS CONN ASSY 73 CKT	B	9	1468	ST GRAY	AVAILABLE
20	MOLEX	34566-1503	12615655	09AP08	MX123 HRNS CONN ASSY 73 CKT	C	9	2467	BLUE	AVAILABLE
21	MOLEX	34566-1603	12647269	T.B.D	MX123 HRNS CONN ASSY 73 CKT	D	9	2367	BROWN	NOT ACTIVE
22	MOLEX	34566-1703	AMJ28698	T.B.D	MX123 HRNS CONN ASSY 73 CKT	E	9	2468	GREEN	NOT ACTIVE
23	MOLEX	34566-1803	12653575	05DC14	MX123 HRNS CONN ASSY 73 CKT	F	9	1357	NATURAL	AVAILABLE
24	MOLEX	34566-1903	12603598	09AP08	MX123 HRNS CONN ASSY 80 CKT	G	9	1358	BLUE	AVAILABLE
25	MOLEX	34566-2003	12603599	11JN04	MX123 HRNS CONN ASSY 80 CKT	H	9	2458	ST GRAY	AVAILABLE
26	MOLEX	34566-2103	12615657	T.B.D	MX123 HRNS CONN ASSY 80 CKT	J	9	2457	BLACK	NOT ACTIVE
27	MOLEX	34566-2203	AMJ29117	T.B.D	MX123 HRNS CONN ASSY 80 CKT	K	9	2357	BROWN	NOT ACTIVE
28	MOLEX	34566-2303	AMJ29136	T.B.D	MX123 HRNS CONN ASSY 80 CKT	L	9	2368	GREEN	NOT ACTIVE
29	MOLEX	34566-2403	AMJ29214	T.B.D	MX123 HRNS CONN ASSY 80 CKT	M	9	2358	NATURAL	NOT ACTIVE
30	MOLEX	34736-2002	12642697	01AU10	MX64 RCPT TERM Ag 18/20 GAGE B (RIGHT PAYOFF)	N/A	N/A	N/A	N/A	AVAILABLE
31	MOLEX	34736-2001	12642696	01AU10	MX64 RCPT TERM Ag 22 GAGE B (RIGHT PAYOFF)	N/A	N/A	N/A	N/A	AVAILABLE
32	MOLEX	34586-0001	T.B.D.	11JN04	MX123 0.64MM GROMMET PLUG	N/A	N/A	N/A	NATURAL	AVAILABLE
33	YAZAKI	7116-4150-02	12588066	02JN03	2.8mm YESC SEALED FEMALE TERMINAL TIN 20/22 GAGE (CABLE RANGE 0.30mm-0.60mm)	N/A	N/A	N/A	N/A	NOT ACTIVE
34	YAZAKI	7116-4151-02	12588067	02JN03	2.8mm YESC SEALED FEMALE TERMINAL TIN 16/18 GAGE (CABLE RANGE 0.75mm-1.40mm)	N/A	N/A	N/A	N/A	NOT ACTIVE
35	YAZAKI	7116-4152-02	12582685	02JN03	2.8mm YESC SEALED FEMALE TERMINAL TIN 14 GAGE (CABLE RANGE 1.50mm-2.50mm)	N/A	N/A	N/A	N/A	AVAILABLE
36	YAZAKI	7158-3111-60	12588068	02JN03	2.8mm CABLE SEAL (wire O.D. range 1.20mm-1.90mm)	N/A	N/A	N/A	GREEN	NOT ACTIVE
37	YAZAKI	7158-3112-70	12588069	02JN03	2.8mm CABLE SEAL (wire O.D. range 1.80mm-2.30mm)	N/A	N/A	N/A	YELLOW	NOT ACTIVE
38	YAZAKI	7158-3113-40	12582686	02JN03	2.8mm CABLE SEAL (wire O.D. range 2.18mm-3.00mm)	N/A	N/A	N/A	WHITE	AVAILABLE
39	YAZAKI	7158-3114-90	T.B.D	02JN03	2.8mm YESC CAVITY PLUG	N/A	N/A	N/A	BLUE	AVAILABLE
40	MOLEX	63811-4200	XX019825	02JN03	MX64 TERM HAND CRIMP TOOL	N/A	N/A	N/A	N/A	AVAILABLE
41	MOLEX	63813-1400	XX019826	02JN03	MX64 TERM SERVICE TOOL	N/A	N/A	N/A	N/A	AVAILABLE
42	MOLEX	63865-8000	XX019827	02JN03	MX64 CRIMP APPLICATOR with TOOL KIT 18/20 GAGE PAYOFF DIRECTION D (left payoff) (contact Molex for payoff detail)	N/A	N/A	N/A	N/A	AVAILABLE
43	MOLEX	63865-8070	XX019828	02JN03	MX64 APPLICATOR TOOL KIT 18/20 GAGE	N/A	N/A	N/A	N/A	AVAILABLE
44	MOLEX	63865-8100	XX019829	02JN03	MX64 CRIMP APPLICATOR with TOOL KIT 22 GAGE PAYOFF DIRECTION D (left payoff) (contact Molex for payoff detail)	N/A	N/A	N/A	N/A	AVAILABLE
45	MOLEX	63865-8170	XX019830	02JN03	MX64 APPLICATOR TOOL KIT 22 GAGE	N/A	N/A	N/A	N/A	AVAILABLE
46	SPX	J35616-64	T.B.D.	02JN03	0.64mm PROBE TOOL (for rcpt)	N/A	N/A	N/A	N/A	AVAILABLE
47	SPX	J35616-64A	T.B.D.	02JN03	0.64mm PROBE TOOL WITH EXT (for rcpt)	N/A	N/A	N/A	N/A	AVAILABLE
48	SPX	J35616-65	T.B.D.	02JN03	0.64mm PROBE TOOL WITH EXT (for pin)	N/A	N/A	N/A	N/A	AVAILABLE
49	SPX	J35616-4A	T.B.D.	02JN03	2.8mm PROBE TOOL (for rcpt)	N/A	N/A	N/A	N/A	AVAILABLE
50	YAZAKI	X39899-J374	12094430	02JN03	2.8mm TERM SERVICE TOOL	N/A	N/A	N/A	N/A	AVAILABLE

002B

* - MX123 DRESS COVER 73/80/66 CKT MATES TO ANY MX123 HARN CONN ASSY SHOWN ON TABLE ABOVE



PAGE TITLE
COMPONENT TABLE

DRAWING NUMBER

12642695

DWG STATUS

ST	REV	PD1
R	002	

PAGE NUMBER

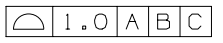
5 OF 21

NOTES: UNLESS OTHERWISE SPECIFIED

1. MATERIAL FOR INTERFACE:

- A. RESIN:
 - 1. 30% G.F. PBT; 20% MAX. (BY WEIGHT) REGRIND.
 - 2. MATING CONNECTOR INTERFACE PART COLOR MUST BE SAME AS MATCHING KEYED HARNESS CONNECTOR ASSEMBLY.
 - 3. MUST BE VALIDATED FOR INDIVIDUAL DEVICE APPLICATION REQUIREMENTS.
- B. 0.64MM PINS:
 - 1. BASE MATERIAL: COPPER ALLOY; CONDUCTIVITY >= 28% IACS AT 20°C; TENSILE STRENGTH >= 635 N/mm²; SURFACE ROUGHNESS R_a 6 MAX.
 - 2. PLATING FINISH: SILVER (Ag). PLATING TO BE 1.9-3.3 μm ELECTRODEPOSITED SEMI-BRIGHT SILVER OVER 1.25-2.25 μm DUCTILE SULPHAMATE NICKEL PER NOTE 1(D).
 - 3. ANTI-TARNISH: SYNTHETIC HYDROCARBON CONTACT SURFACE FINISH OR EQUIVALENT APPLIED WITHOUT VOID TO CONTACT AREA (MIN 3.7mm FROM PIN TIP).
- C. 2.8MM BLADE:
 - 1. BASE MATERIAL: COPPER ALLOY; CONDUCTIVITY >= 28% IACS AT 20°C; TENSILE STRENGTH >= 350 N/mm²; SURFACE ROUGHNESS R_a 6 MAX.
 - 2. PLATING FINISH: TIN. PLATING TO BE 2.5-5.0 μm ELECTRODEPOSITED TIN, MATTE FINISH OVER 1.25-2.5 μm DUCTILE SULPHAMATE NICKEL PER NOTE 1(D).
- D. PLATING REQUIREMENTS:
 - 1. SILVER PLATING
 - a. 99.5% PURE SEMI-BRIGHT WITH NO ORGANIC BRIGHTNERS OR CHROMATES.
 - 2. NICKEL PLATING
 - a. ELECTRODEPOSITED DUCTILE SULFAMATE NICKEL WITH A NON-BRIGHTENED FINISH. NO ORGANIC OR BRIGHTENING AGENTS SHALL BE ALLOWED.
 - b. SHALL ONLY BE USED AS AN UNDERLYING PLATING AND MAY NOT BE USED AS AN ELECTRICAL CONTACT SURFACE PLATING.
 - c. SHALL BE NODULE FREE WHEN VIEWED AT 10X MAGNIFICATION IN MEASURED IN CONTACT SURFACE AREA PLUS 0.5MM PERIMETER AROUND THE CONTACT SURFACE AREA.
 - d. ALL PLATINGS SHALL HAVE A 1.0% MAXIMUM BY WEIGHT IMPURITIES. IMPURITIES ARE DEFINED AS ALL ELEMENTS NOT THE PRIMARY PLATING OR HARDENING AGENT IF APPLICABLE, AS DETERMINED BY WET CHEMICAL ANALYSIS OR AUGER METHOD. NO SINGLE IMPURITY SHALL EXCEED 0.1% MAXIMUM BY WEIGHT.
 - 3. TESTING
 - a. THICKNESS TO BE MEASURED IN CONTACT SURFACE AREA PLUS 0.5MM PERIMETER AROUND THE CONTACT SURFACE AREA AS DESIGNATED IN THE DRAWING. THICKNESS SHALL BE DETERMINED BY METHOD OF X-RAY (XRF).
 - b. PLATING ADHESION SHALL BE TESTED BY A BEND TEST FOR ALL METALS. THE TEST SAMPLE SHALL BE BENT 90 DEGREES TO DETERMINE DEPOSIT ADHESION. TESTING SHALL BE COMPLETED IN ACCORDANCE WITH ASTM SPEC B571.


2. DESIGN - GENERAL:

- A. THIS IS A 100% CAD GENERATED PART. THE CAD MATHEMATICAL DATA IS THE MASTER FOR THIS PART. FOR DIMENSIONAL OR ANY INFORMATION NOT SHOWN ON THIS DRAWING, ANALYZE THE CAD MODEL.
- B. TOLERANCES:
 - 1. LINEAR
 - 0.X ± 0.30
 - 0.XX ± 0.10
 - 0.XXX ± 0.10
 - 2. ANGULAR X° ± 3°
 - 3. 
- C. MINIMUM WALL THICKNESS REQUIRED: 1.3mm.
- D. CORNERS SHOWN AS SHARP TO BE R 0.2 MAX.
- E. LETTERING SHALL BE 0.15 MAX RAISED IN 0.20 MAX RECESS PAD. THIS INCLUDES MATERIAL CODE, RECYCLING CODE, CAVITY ID AND DATE CODE.
- F-1. PARTS MUST BE FREE OF DISCOLORATION, SALT RESIDUE AND OTHER IMPERFECTIONS THAT AFFECT FIT OR FUNCTION.
- F-2. SCRATCHES OR DENTS NOT TO EXCEED 0.013mm IN DEPTH.
- G. FOLLOWING PRODUCTION CODES TO BE PERMANENTLY MARKED & HUMAN READABLE TO A LETTER HEIGHT OF 1.5 ± 0.5MM X 0.3 MAX DEEP
 - 1. MATERIAL #: XXXXX-XXXX
 - 2. DATE CODE: JJYY (JULIAN DAY, LAST DIGIT OF YEAR)
 - 3. INSPECTION MACHINE CODE + SERIAL #: X_XXXXX

3. DESIGN - MANUFACTURING:

- A. DRAFT TO BE WITHIN TOLERANCE.
- B. ALLOWABLE FLASH MAX 0.2 HIGH X MAX 0.13 THICK.
- C. ALLOWABLE PARTING LINE MISMATCH 0.2 MAX.
- D. EJECTOR PINS MARK TO BE FLUSH TO 0.25 MAX DEPRESSED.
- E. ALLOWABLE GATE VESTIGE FLUSH TO 0.25 MAX PROTRUSION.
- F. NO EXTERNAL MOLD RELEASE AGENT ALLOWED DURING MANUFACTURING.
- G. STEEL THAT FORMS THE INDICATED SURFACE MUST BE POLISHED WITH A DIAMOND FINISH (SPI A-2) OVER THE FULL PERIPHERY OF THE TOOL. SURFACE MUST HAVE NO MISMATCH.
- H. ANY PROCESS LUBRICANT REMAINING ON THE TERMINAL MUST NOT VARNISH OR DEGRADE IT'S ELECTRICAL PERFORMANCE UP TO A MAXIMUM CLASS AMBIENT TEMPERATURE PER SAE USCAR-2 FOR 1008 HOURS. PROCESS LUBRICANTS SHOULD BE APPROVED BY THE RESPONSIBLE ENGINEER.
- J. OPTIONAL FEATURES PROVIDED FOR AUTOMATION.
- K. PART MUST BE FREE FROM BURRS AND SHARP EDGES, WHICH MIGHT BE DETRIMENTAL TO SATISFACTORY ASSEMBLY, SAFE HANDLING OR FUNCTION OF PART.
- L. PARTS AS DELIVERED TO ASSEMBLY SHALL BE CLEAN AND FREE OF DEBRIS, RESIDUAL ABRASIVE MATERIAL AND CORROSION PRODUCTS ADVERESLY AFFECTING FUNCTION OR APPEARANCE.
- M. RESTRICTED AND REPORTABLE SUBSTANCES FOR PARTS PER GMW3059.

002C

	PAGE TITLE	DRAWING NUMBER 12642695	DWG STATUS			PAGE NUMBER 6 OF 21
	NOTES		ST	REV	PDI	
			R	002		

NOTES: UNLESS OTHERWISE SPECIFIED

4. SYSTEM REQUIREMENTS:

- A. HARNESS CONNECTOR IS COMPATIBLE WITH THE FOLLOWING SAE WIRE SIZE NO'S:
 - 14, MEETING SAE J1128
 - 18, MEETING SAE J1128, MAX O.D. OF 2.06 MM
 - 20, MEETING SAE J1128
 - 22, MEETING SAE J1128, MIN O.D. OF 1.47 MM
- B. CABLE TIE SPECIFICATIONS:
 - 1. CABLE TIE:
 - TENSILE RATING: 220N / (50lbs) MIN
 - TIE LENGTH: 186mm MIN
 - TIE WIDTH: 4.75mm MAX
 - MATERIAL: NYLON
 - 2. INSTALLATION:
 - CABLE TIE TENSION: 190N MIN
 - 3. DRESSED WIRE BUNDLE PACKAGING: SEE FIG. 1
- C. WHEN MATED WITH COMPONENT CONNECTOR INTERFACE AND/OR DRESS COVER, HARNESS CONNECTOR SYSTEM CONFORMS TO THE FOLLOWING:
 - 1. SAE/USCAR-2, REV: 3 APRIL, 2001; CLASS 3
 - 2. FIELD CORRELATED LIFE TEST, SAE/USCAR-20, NOV. 2001
 - 3. GMW #3191 AUGUST 22, 2000 (DRAFT); TEMPERATURE CLASS 3, SEALING CLASS 1, VIBRATION CLASS 2
 - 4. RESTRICTED AND REPORTABLE CHEMICALS PER GMW #3059, REV: D AUGUST 2002
 - 5. TPA USER FORCES (FULLY POPULATED WITH TERMINALS)
 - a. REMOVAL FROM LOCK TO PRE-SET: <=120N
- D. WIRE SPECIFICATIONS:
 - 1. WIRE SURFACE MUST BE FREE OF SCRATCHES, GROOVES OR DENTS WHERE FUNCTIONAL

5. TERMINAL CURRENT RATINGS:

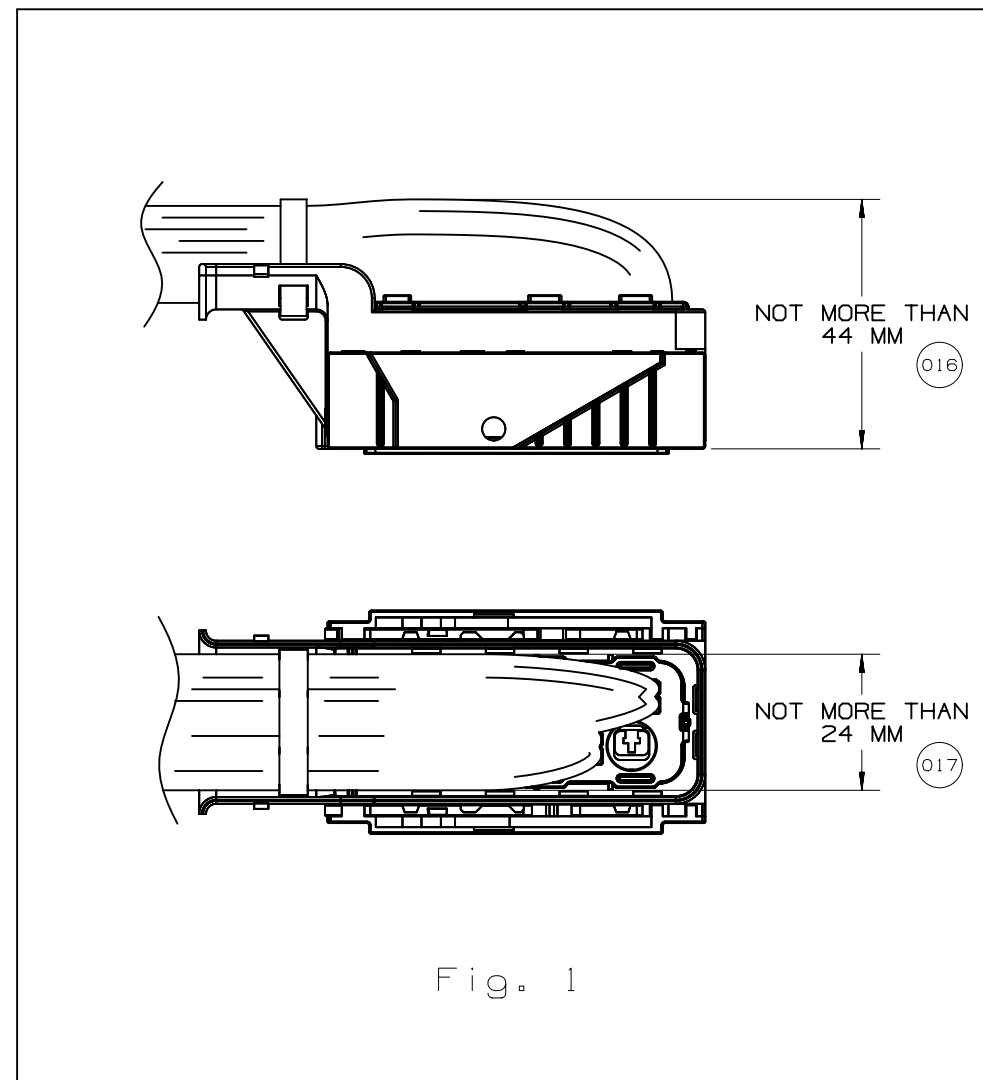
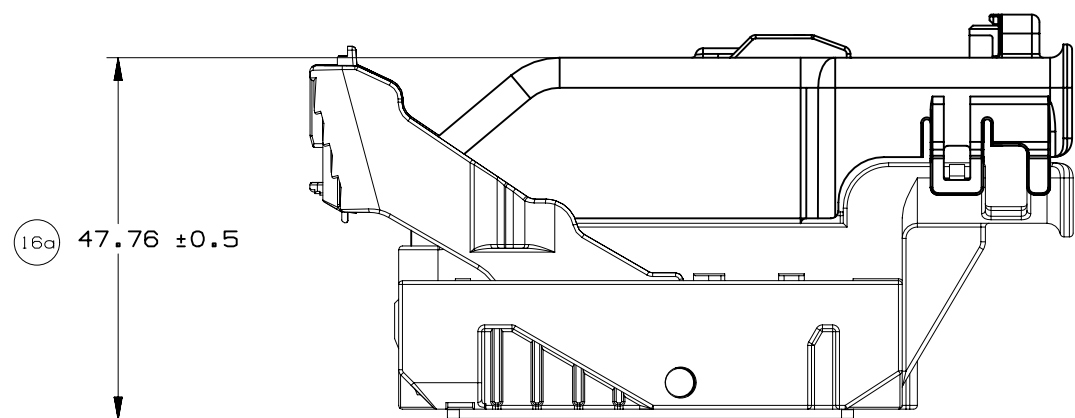
ALL TESTING DONE IN ACCORDANCE WITH USCAR-2 REV5 SECTION 5.3

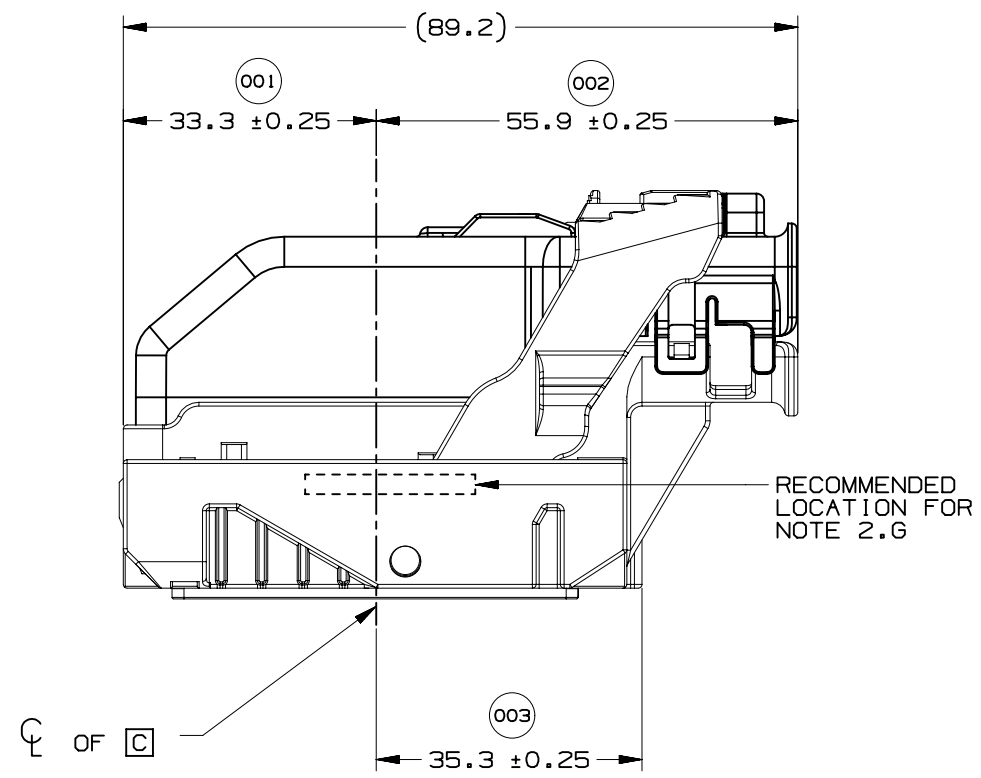
- A. MX64 RCPT TERM
 - 1. MX64 RCPT TERM Ag 18/20 GAGE CRIMPED TO SAE WIRE SIZE NO.18 AND MATED TO MX123 0.64MM PIN: 11.3 AMPS
 - 2. MX64 RCPT TERM Ag 22 GAGE CRIMPED TO SAE WIRE SIZE NO.22 AND MATED TO MX123 0.64MM PIN:8.5 AMPS

WIRE	CURRENT RATING			
	23°C	85°C	105°C	125°C
18AWG	11.3A	11.3A	9.5A	6.6A
20AWG	10.0A	10.0A	8.3A	5.7A
22AWG	8.6A	8.6A	7.1A	5.0A

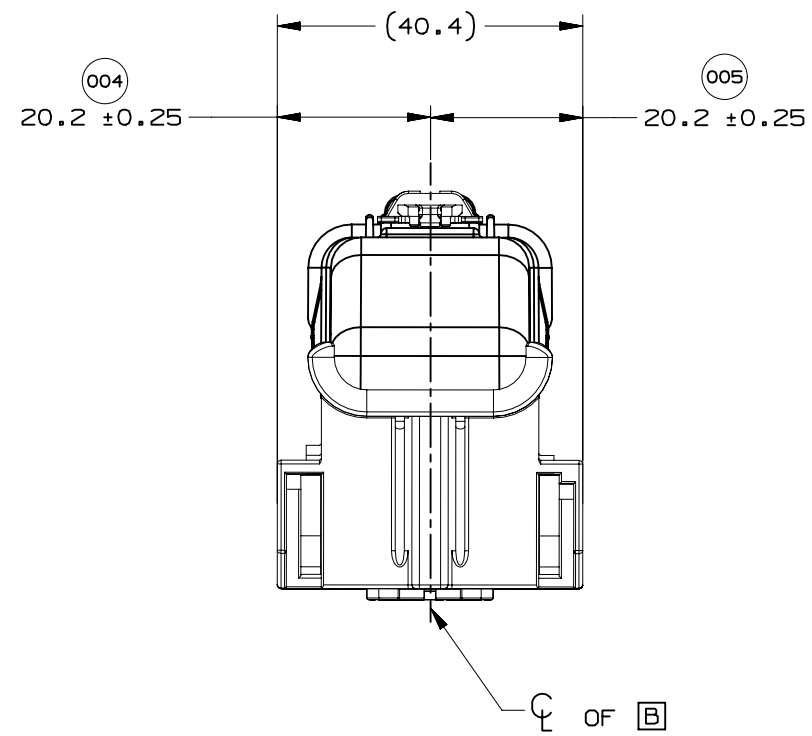
- B. 2.8MM RCPT TERM
 - 1. 2.8MM RCPT TERM TIN 14 GAGE CRIMPED TO SAE WIRE SIZE NO.14 AND MATED TO MX123 2.8MM BLADE: 25.6 AMPS

6. CONTACT MOLEX AUTOMOTIVE FOR AVAILABLE CUSTOM PATTERNS OF CAVITIES OPEN FOR CIRCUITS

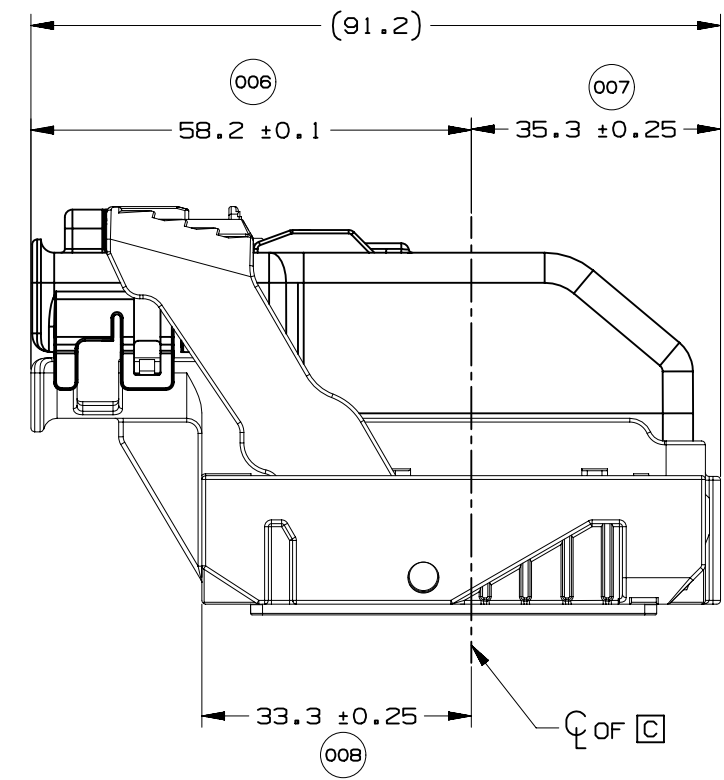




WIRE DRESS OPTION 0 SHOWN

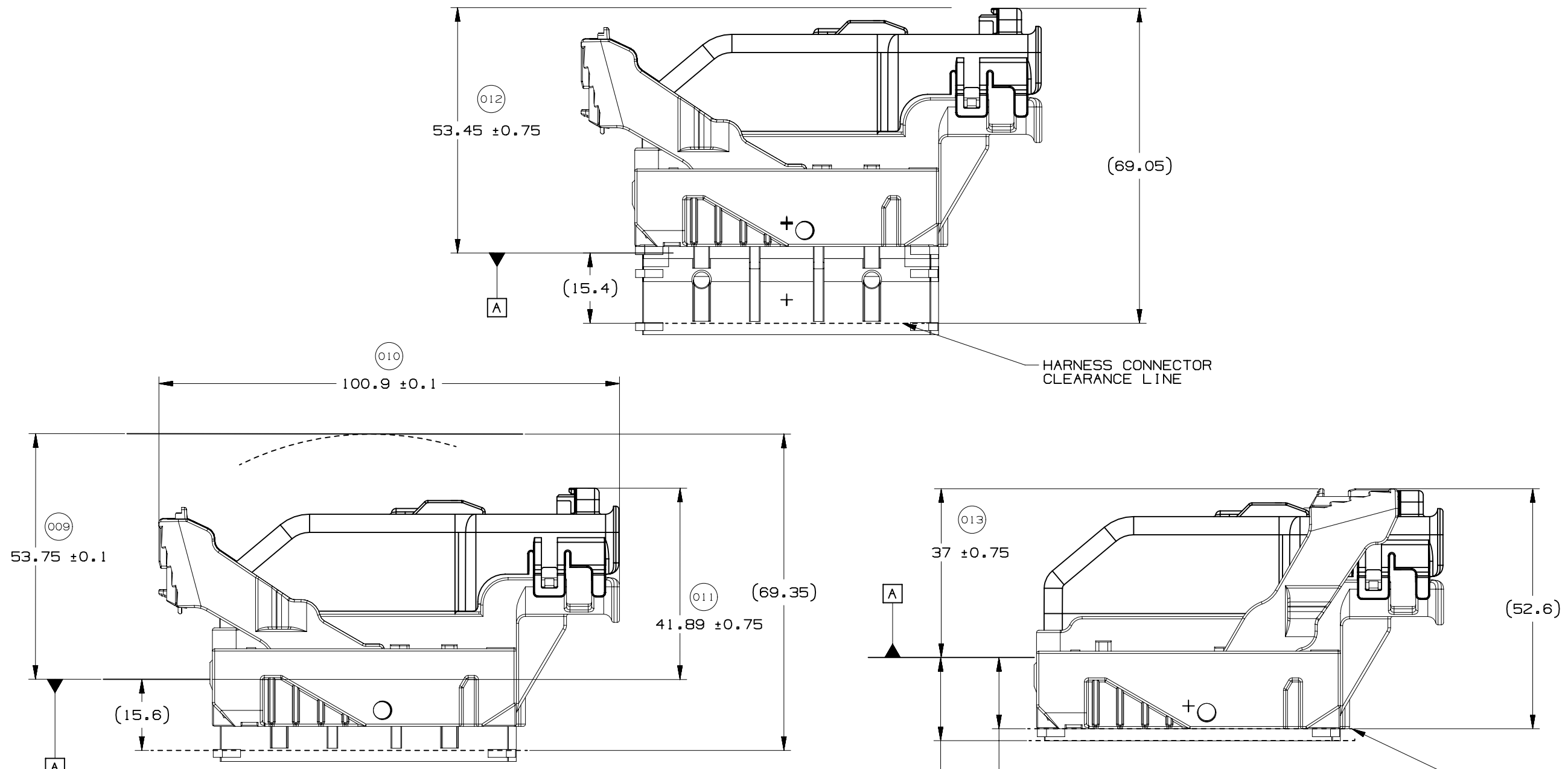


WIRE DRESS OPTION 0 SHOWN



WIRE DRESS OPTION 9 SHOWN





HARNESS CONNECTOR CLEARANCE LINE

HARNESS CONNECTOR ASSEMBLY IN FULLY-MATED POSITION

HARNESS CONNECTOR CLEARANCE LINE

15.6 MIN. ALL AROUND CLEARANCE REQUIRED FOR HARNESS CONNECTOR (014)

17.9 MIN. AT PAD LOCATION CLEARANCE REQUIRED FOR HARNESS CONNECTOR CONSTRUCTION BELOW THIS PLANE IS NOT CONTROLLED (015)

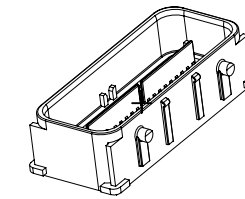
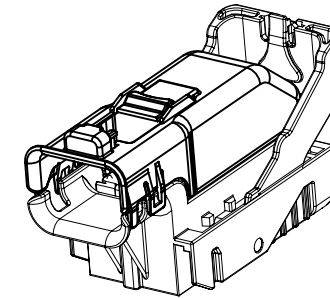
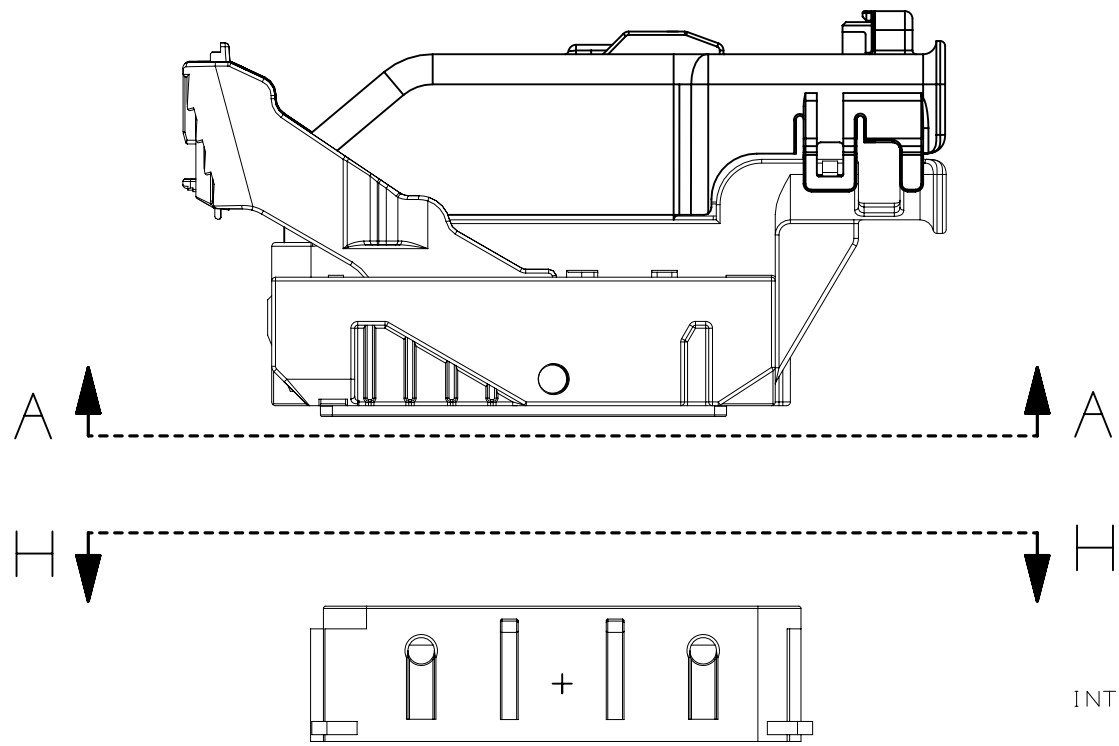


PAGE TITLE
 LOCATION AND PACKAGING DIMENSIONS
 REFERENCING INTERFACE DATUM A

DRAWING NUMBER
 12642695

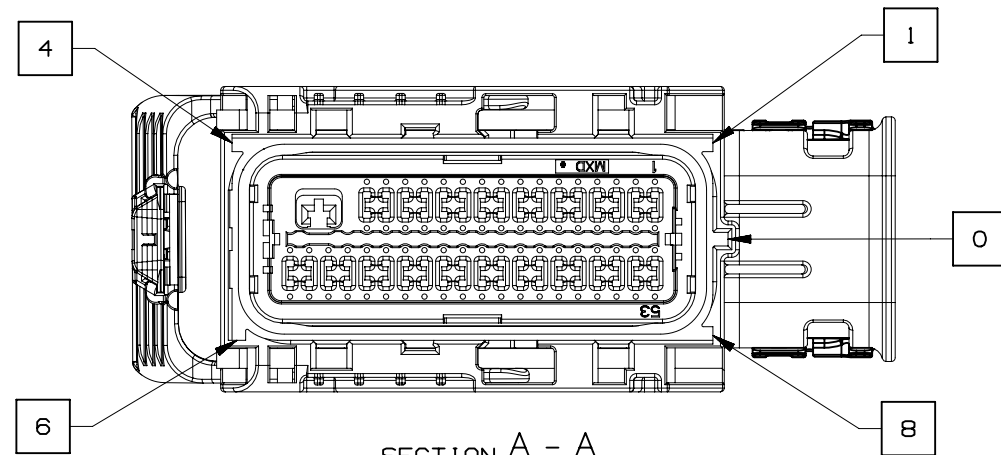
DWG STATUS		
ST	REV	PD1
R	002	

PAGE NUMBER
 10 OF 21

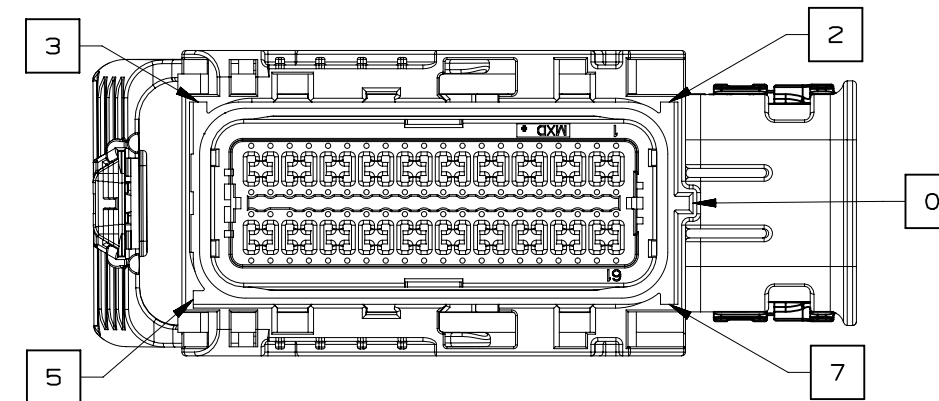


NOTE: REFERENCE THE COMPONENT TABLE FOR KEY OPTIONS AND CONFIGURATIONS

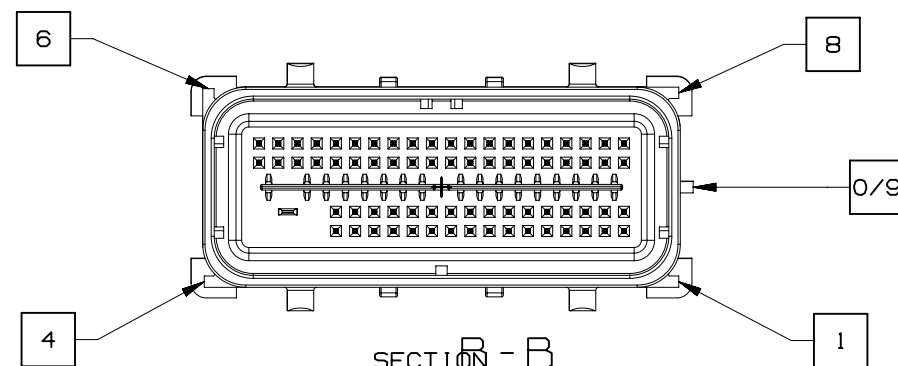
INTERFACE SIDE SHOWN ON ALL SECTION VIEWS



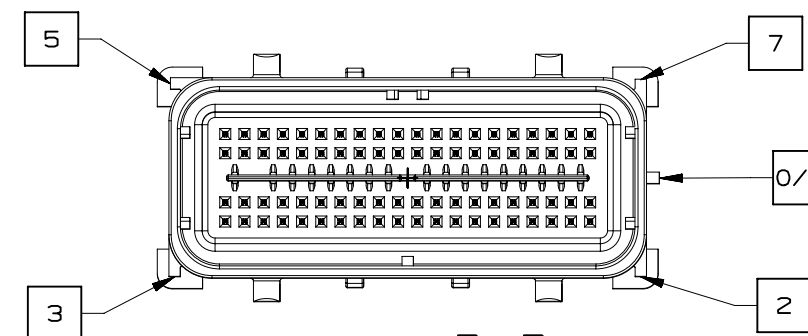
SECTION A - A
KEY OPTION B SHOWN



SECTION A - A
KEY OPTION K SHOWN



SECTION B - B
KEY OPTION B SHOWN



SECTION B - B
KEY OPTION K SHOWN

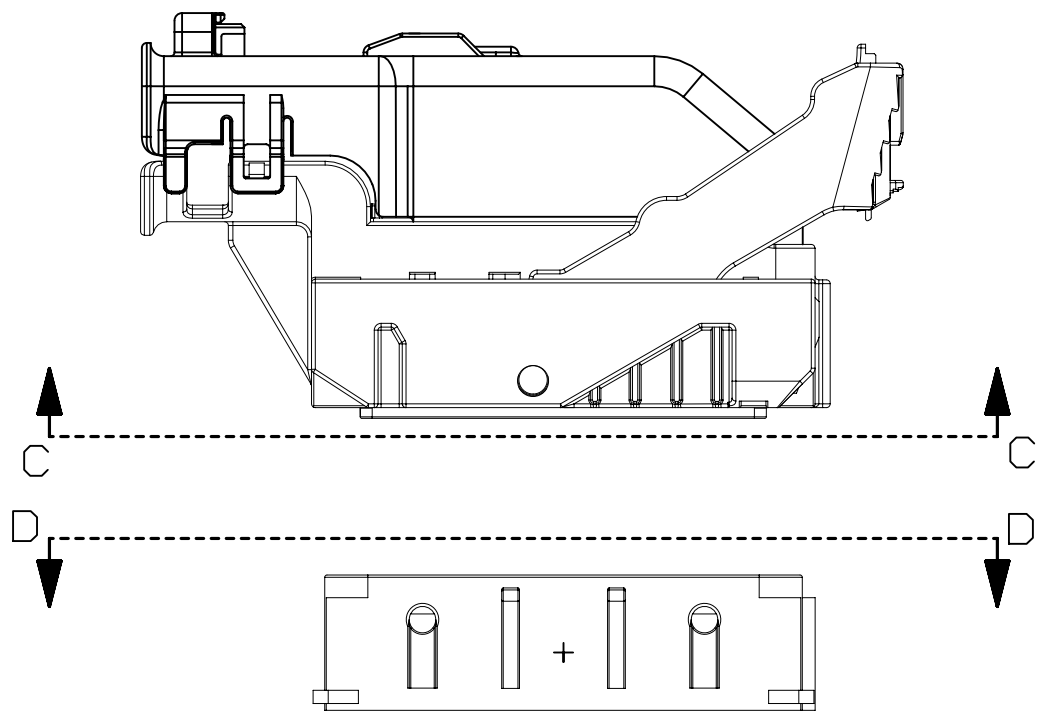


PAGE TITLE
KEY ID REF - WIRE DRESS OPTION 0

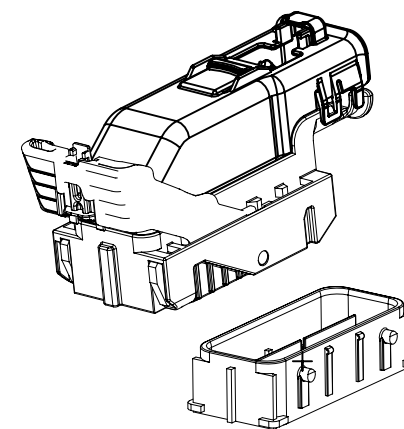
DRAWING NUMBER
12642695

DWG STATUS		
ST	REV	PD1
R	002	

PAGE NUMBER
11 OF 21

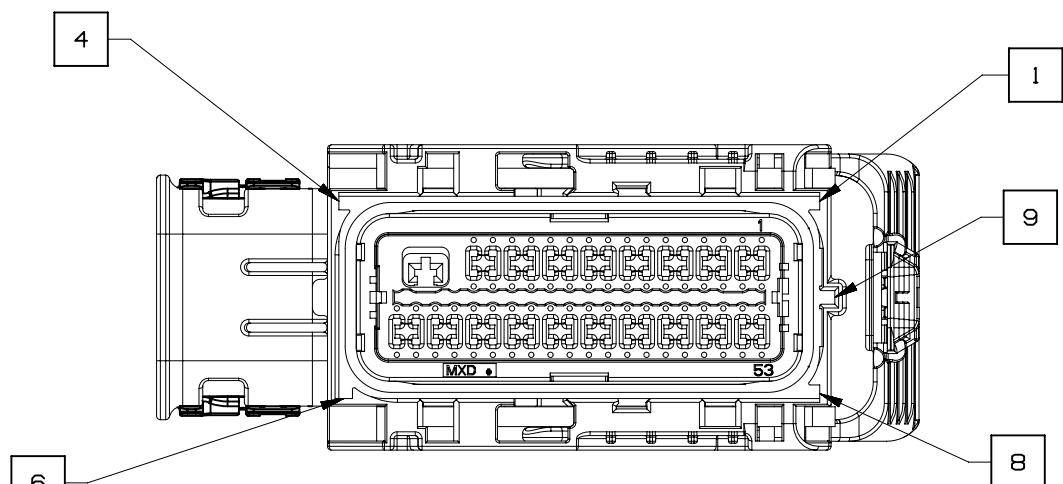


INTERFACE SIDE SHOWN ON ALL SECTION VIEWS

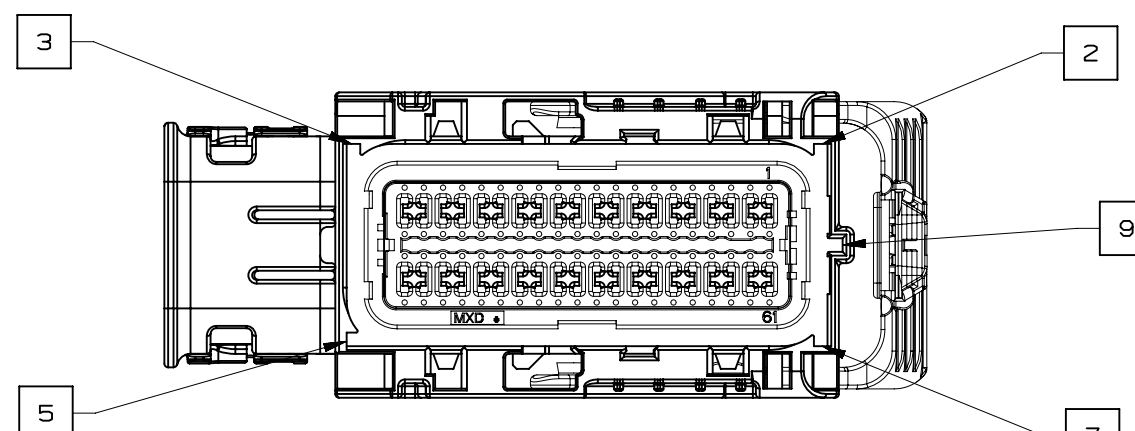


NOTE: REFERENCE THE COMPONENT TABLE FOR KEY OPTIONS AND CONFIGURATIONS

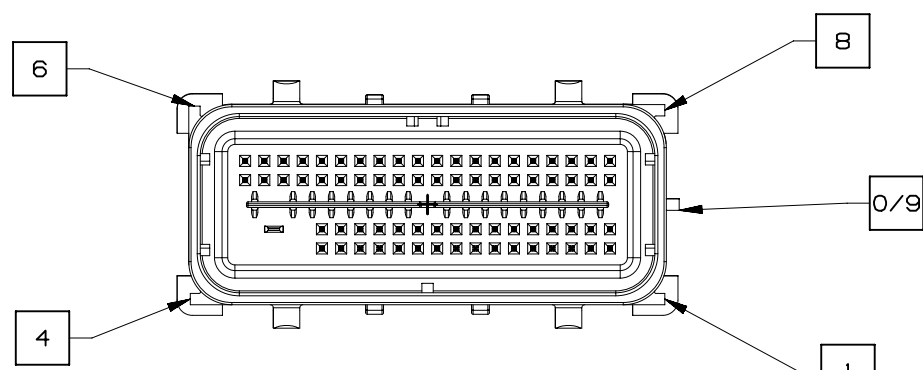
VIEW V



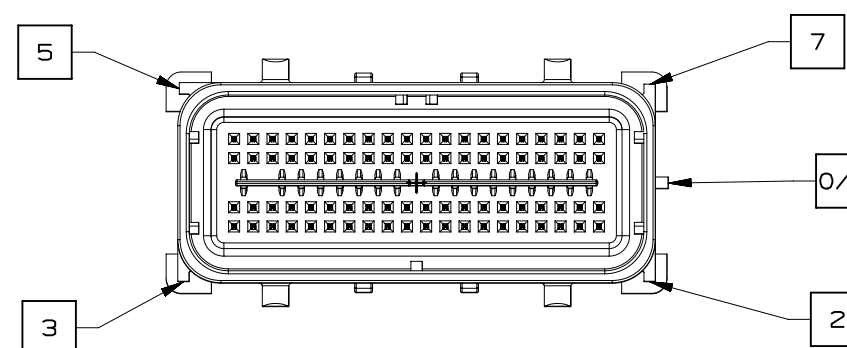
SECTION C-C
KEY OPTION B SHOWN



SECTION C-C
KEY OPTION K SHOWN



SECTION D-D
KEY OPTION B SHOWN



SECTION D-D
KEY OPTION K SHOWN

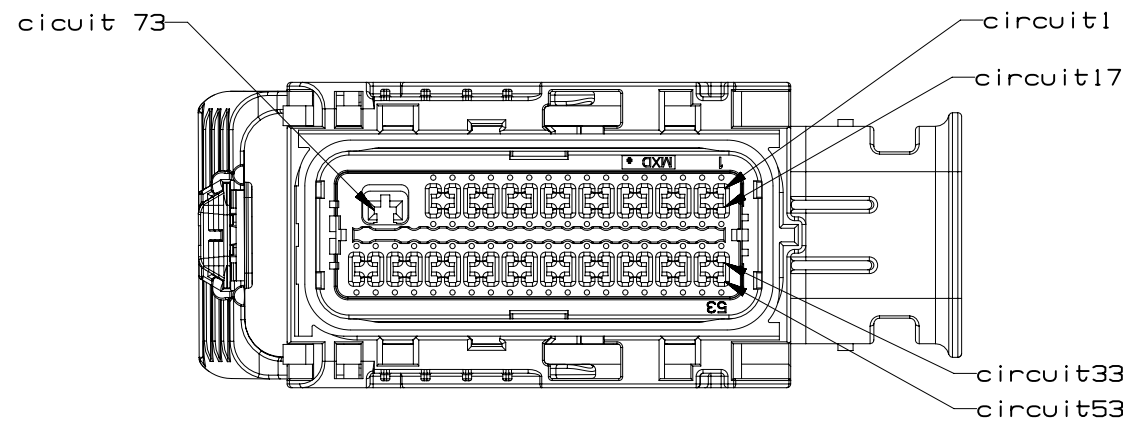


PAGE TITLE
KEY ID REF - WIRE DRESS OPTION 9

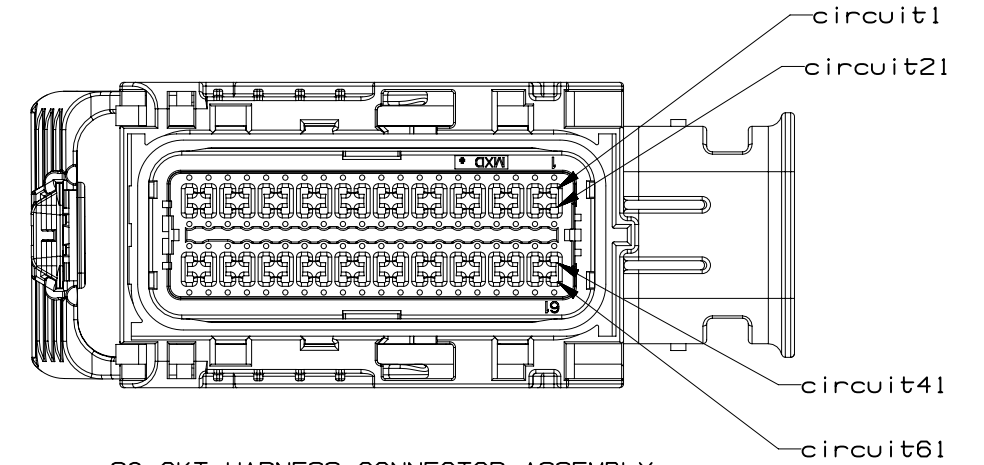
DRAWING NUMBER
12642695

DWG STATUS		
ST	REV	PD1
R	002	

PAGE NUMBER
12 OF 21

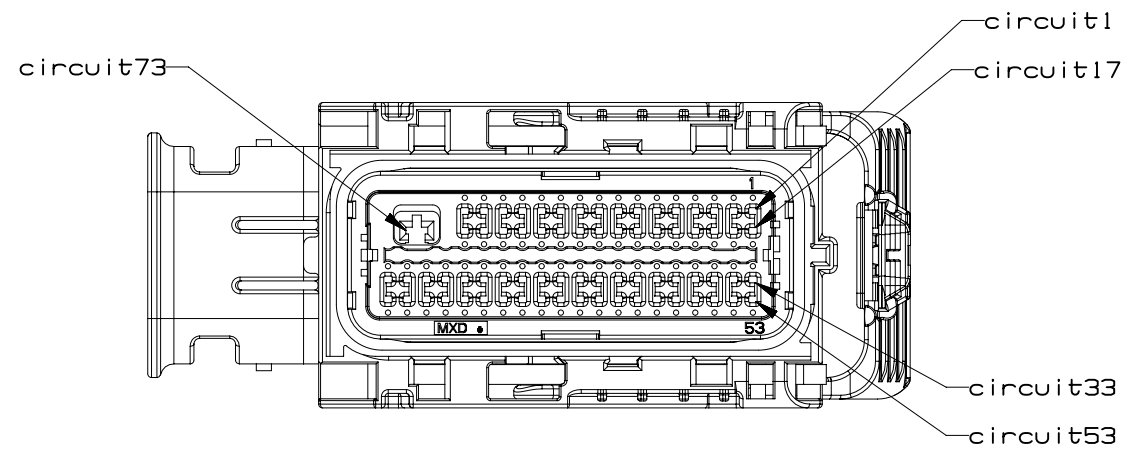


73 CKT HARNESS CONNECTOR ASSEMBLY
WIRE DRESS OPTION 0

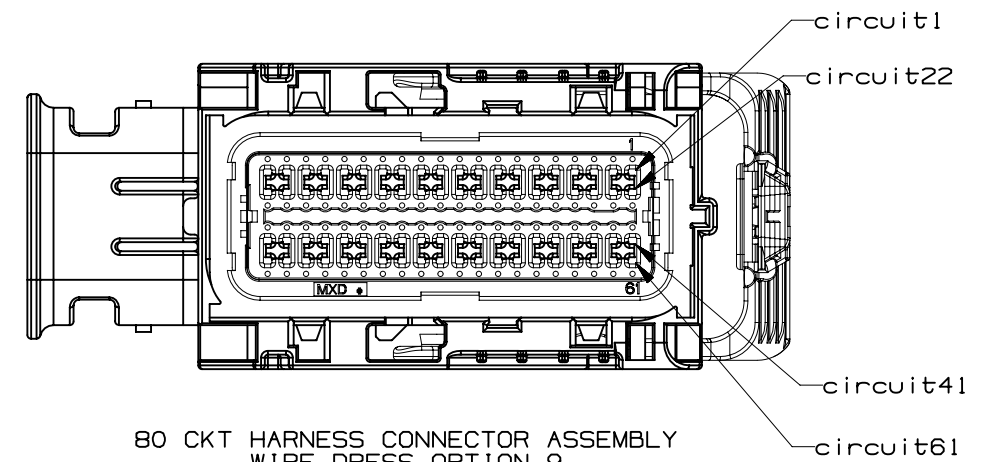


80 CKT HARNESS CONNECTOR ASSEMBLY
WIRE DRESS OPTION 0

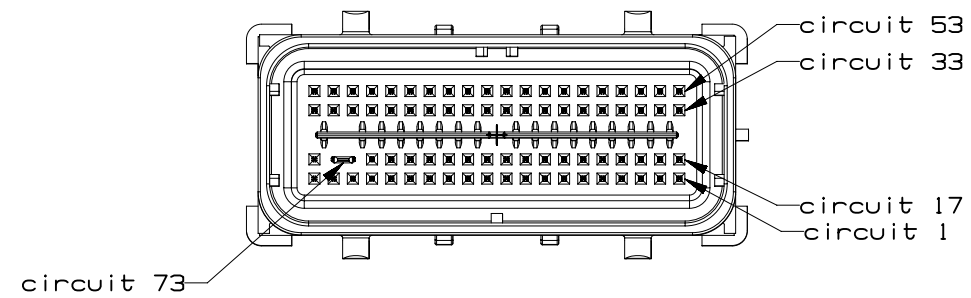
INTERFACE SIDE SHOWN ON ALL VIEWS



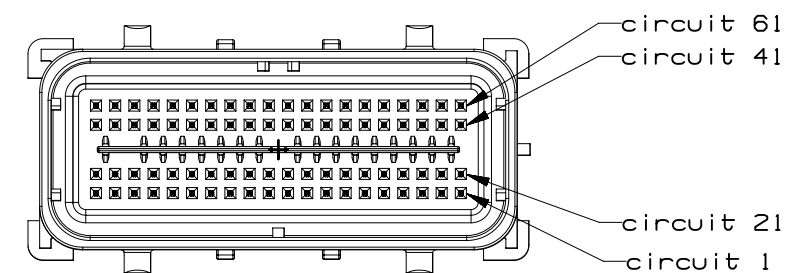
73 CKT HARNESS CONNECTOR ASSEMBLY
WIRE DRESS OPTION 9



80 CKT HARNESS CONNECTOR ASSEMBLY
WIRE DRESS OPTION 9

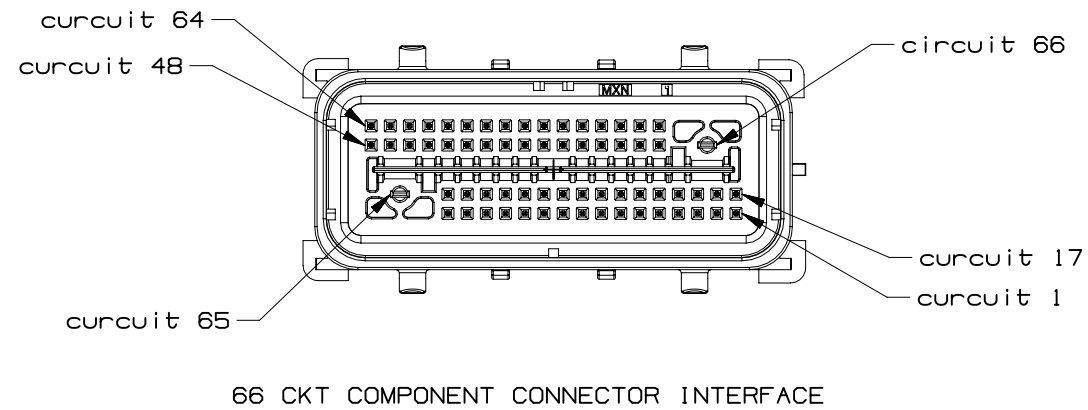
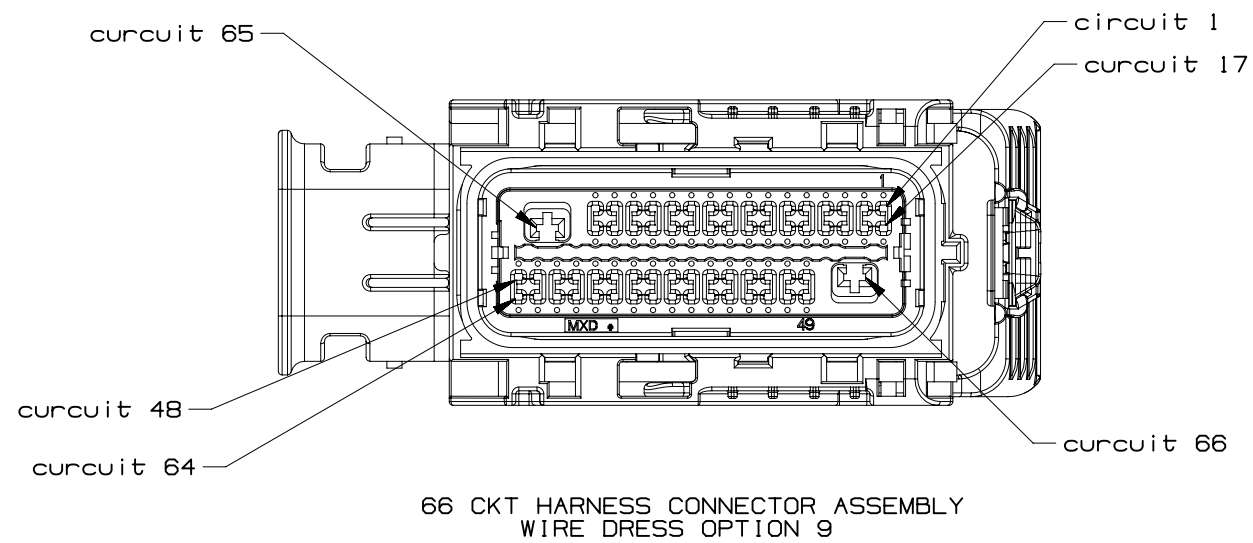
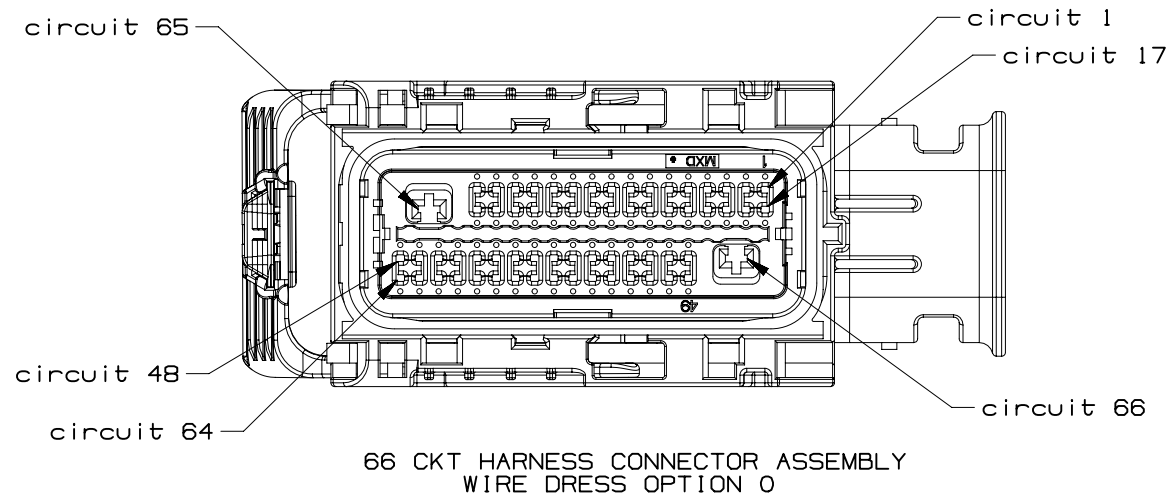


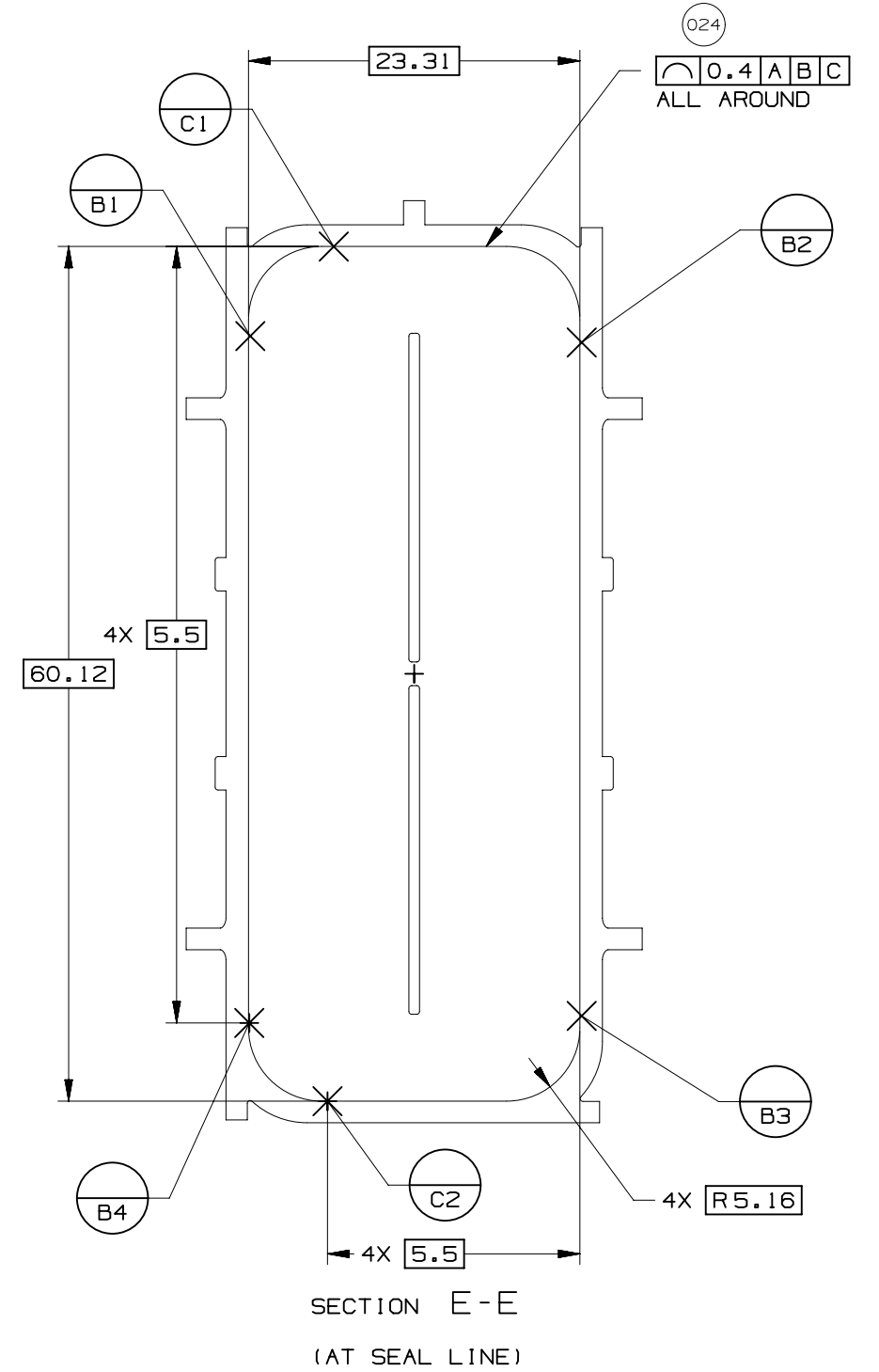
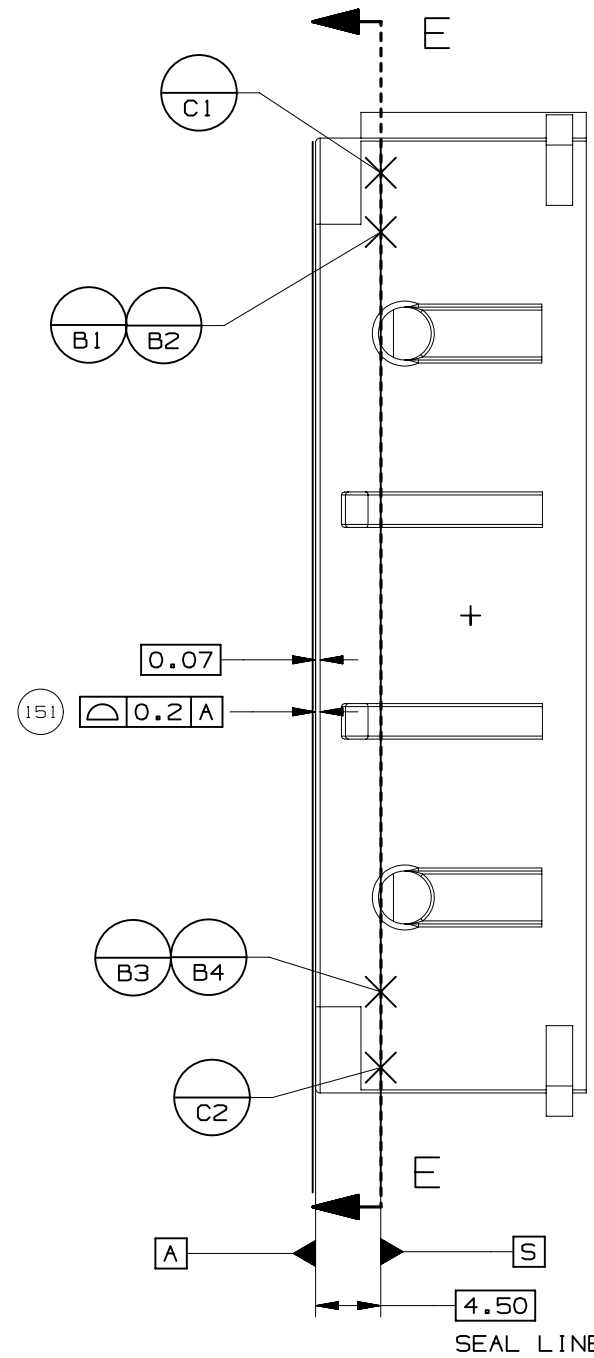
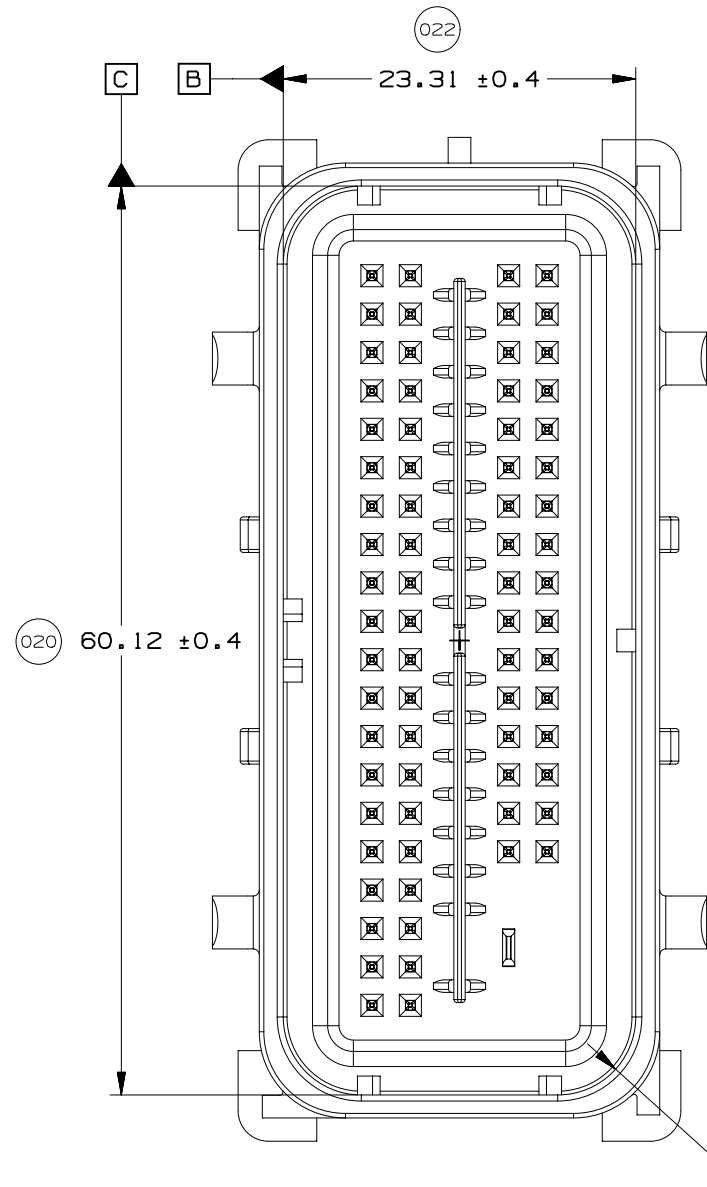
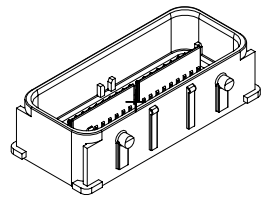
73 CKT COMPONENT CONNECTOR INTERFACE



80 CKT COMPONENT CONNECTOR INTERFACE







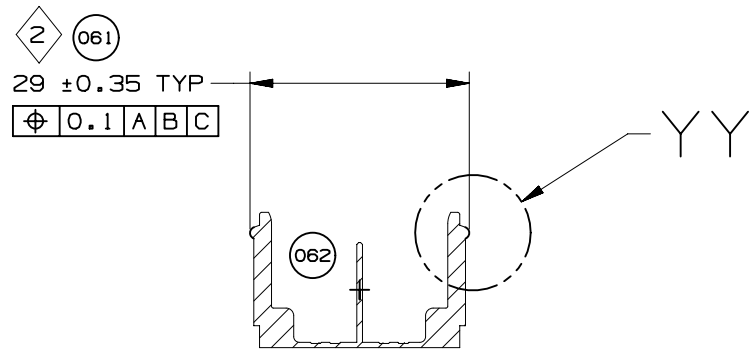
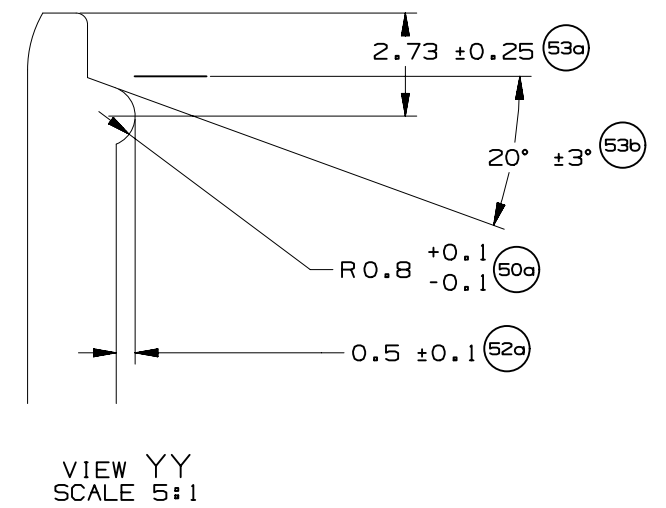
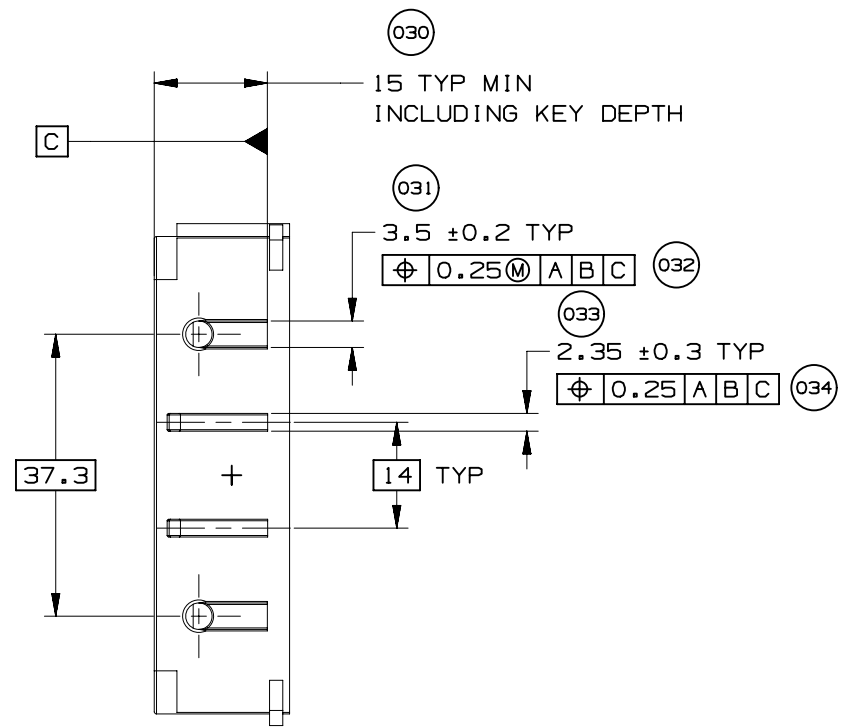
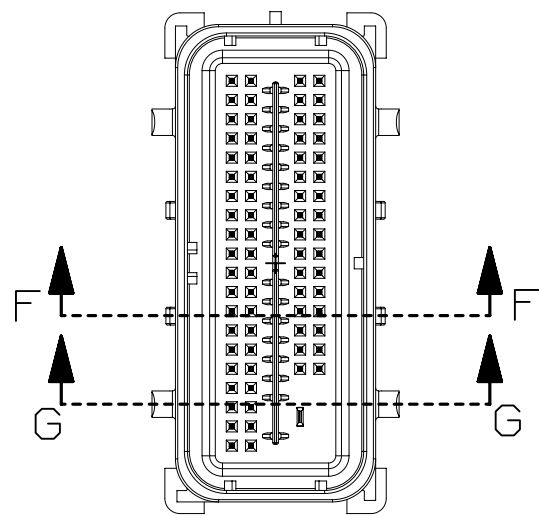
UNLESS SPECIFIED, TOLERANCE OF THE COMPONENT CONNECTOR INTERFACE TO BE $\sqrt[0.13]{A B C}$



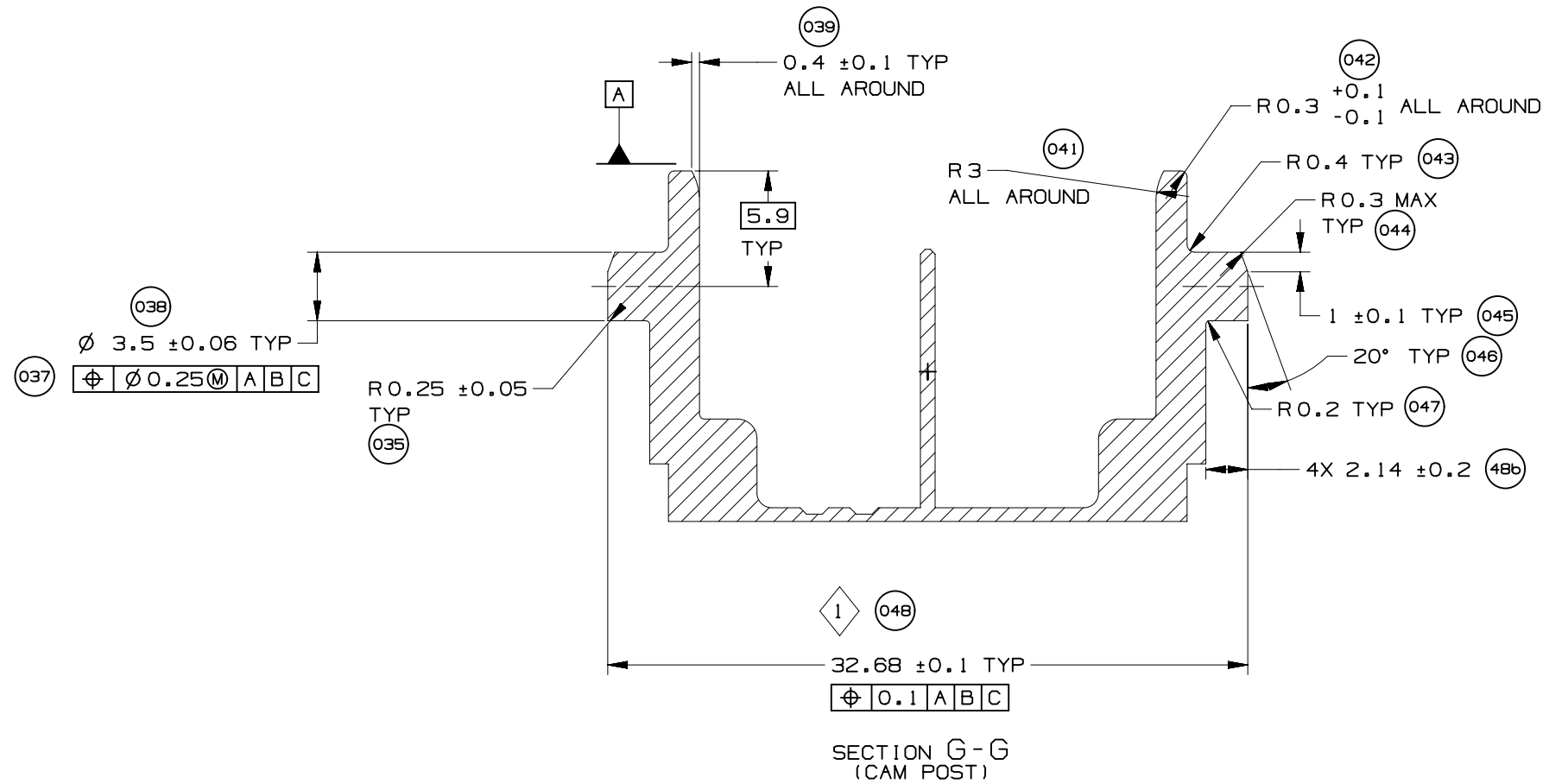
PAGE TITLE
COMPONENT CONNECTOR INTERFACE

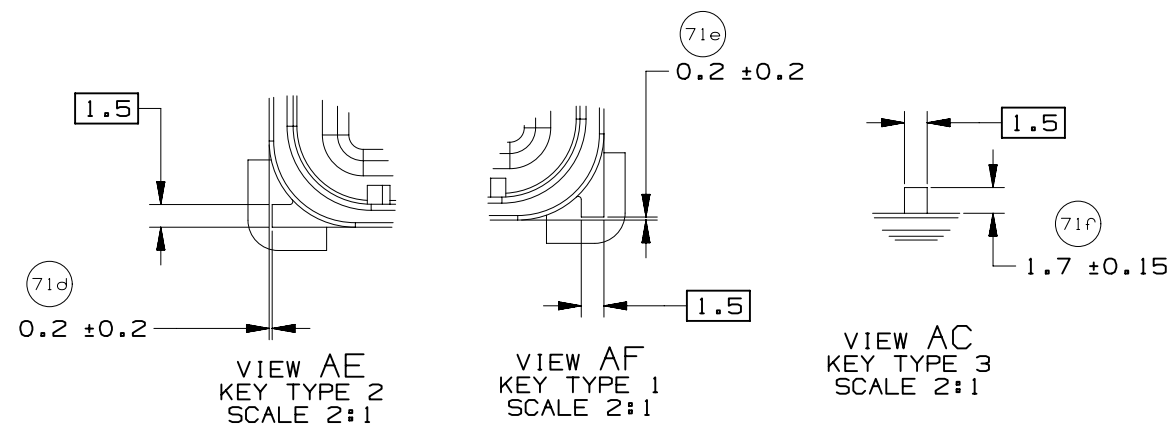
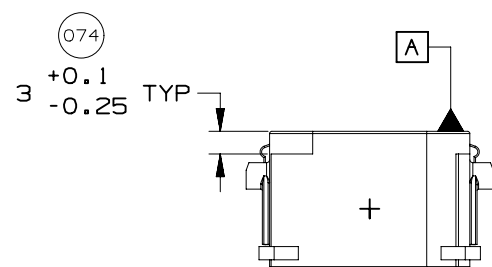
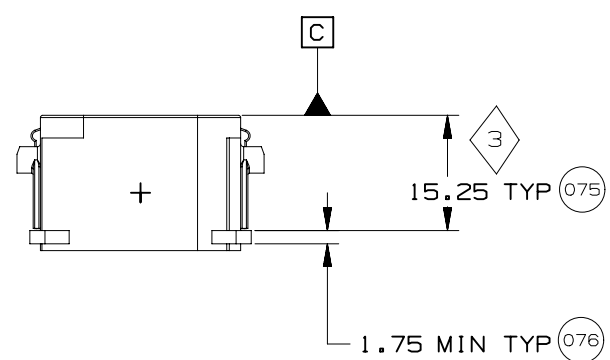
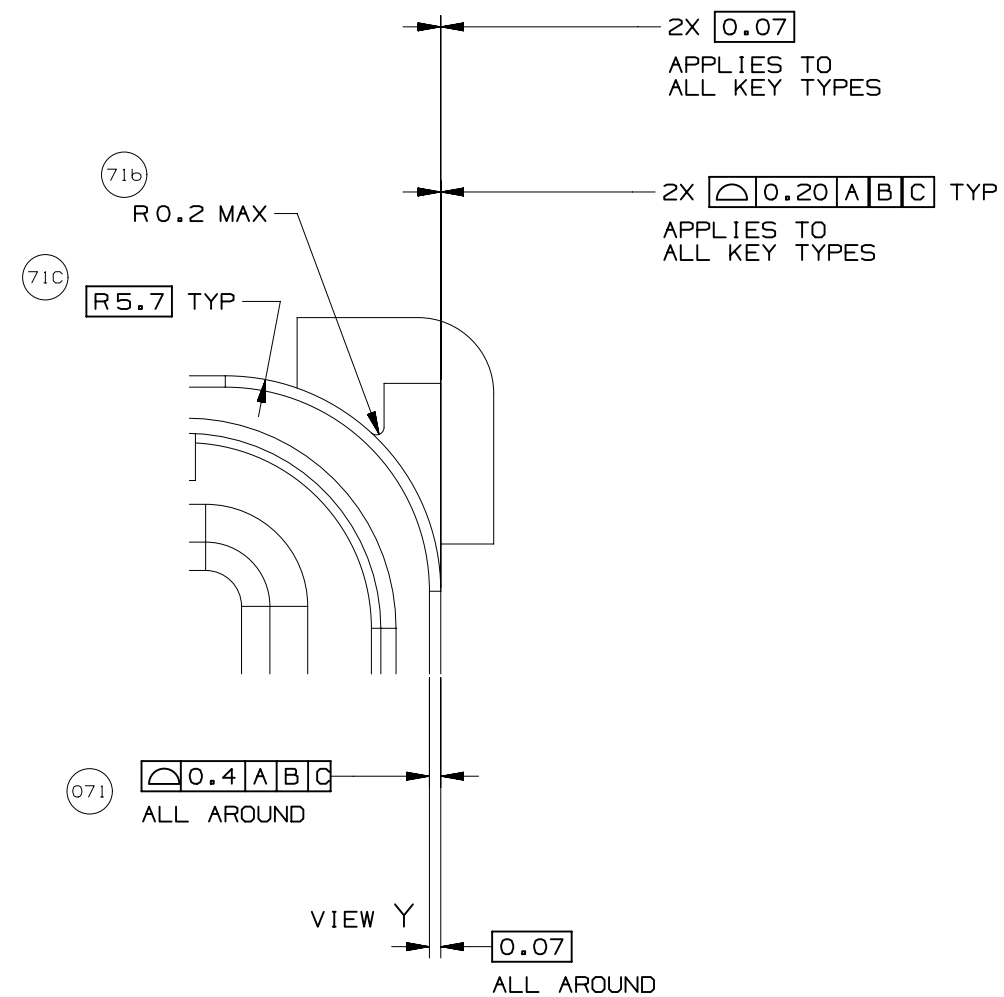
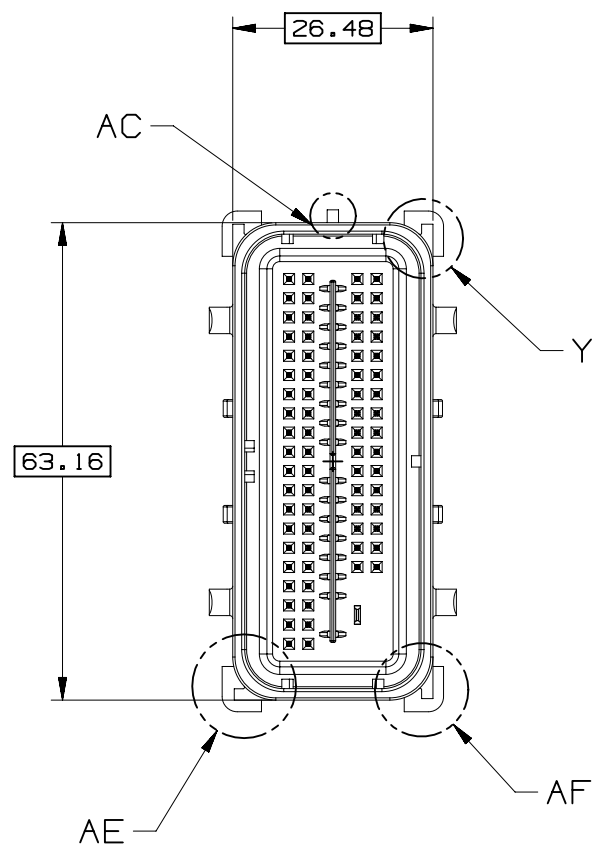
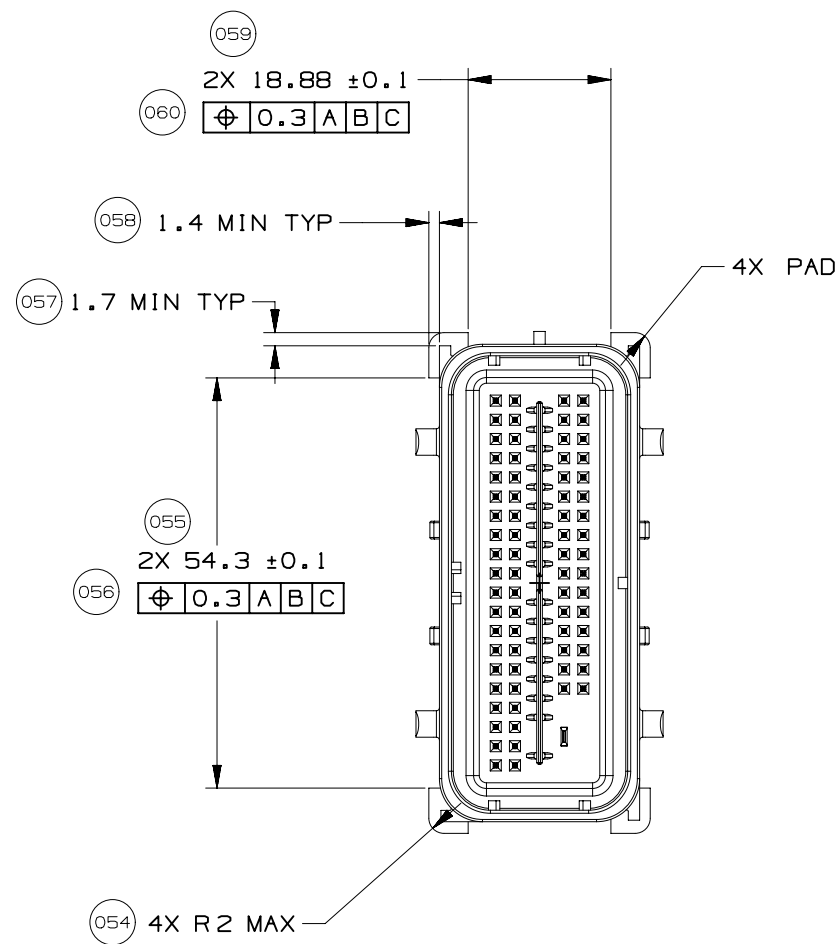
DRAWING NUMBER
12642695

DWG STATUS			PAGE NUMBER
ST	REV	PD1	
R	002		15 OF 21



SECTION F-F

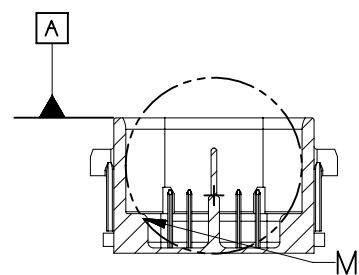
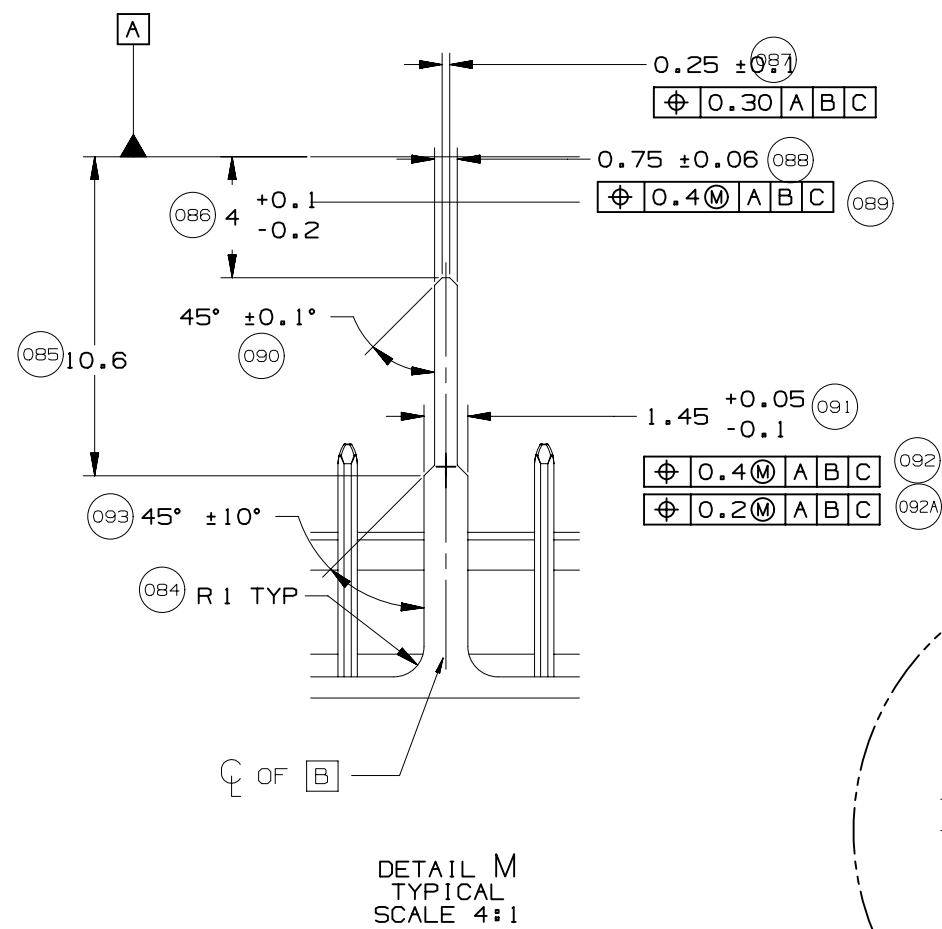
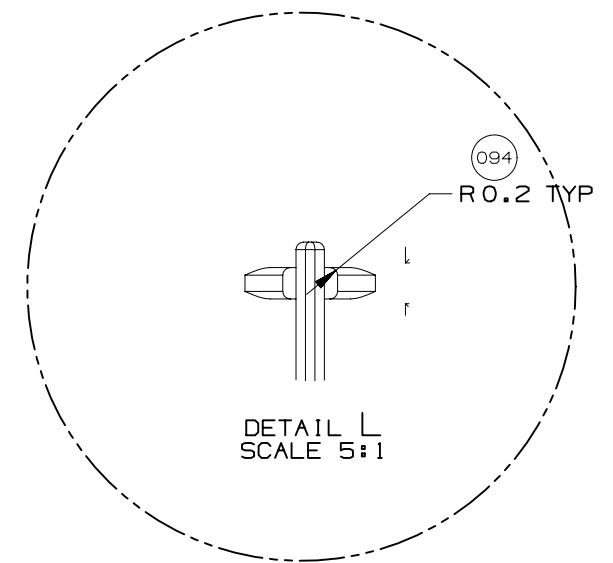
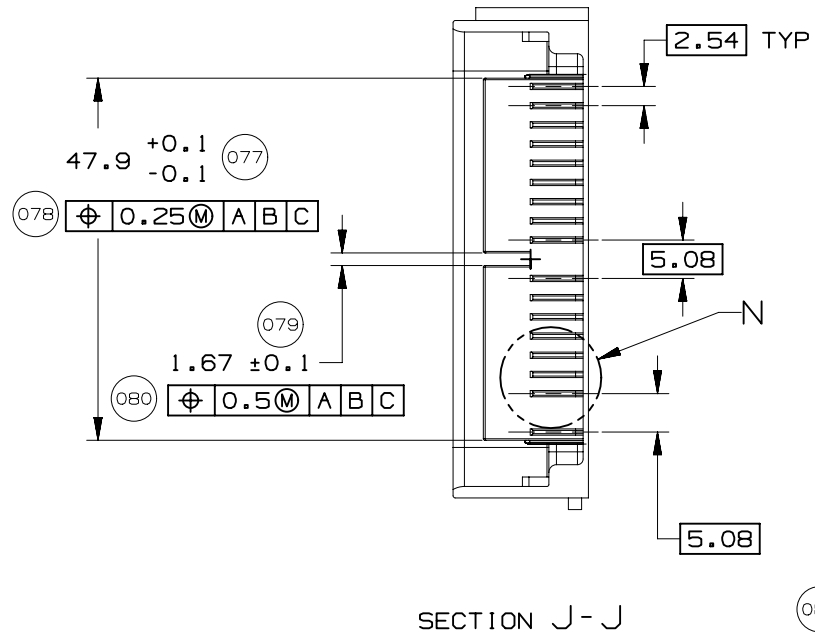
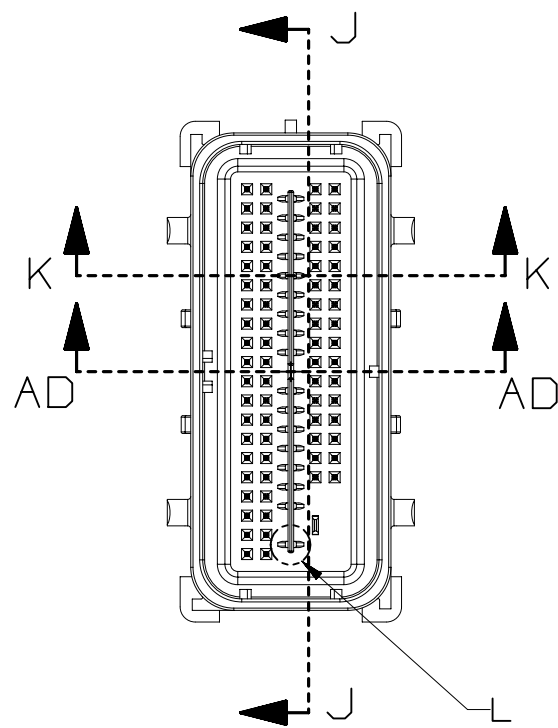




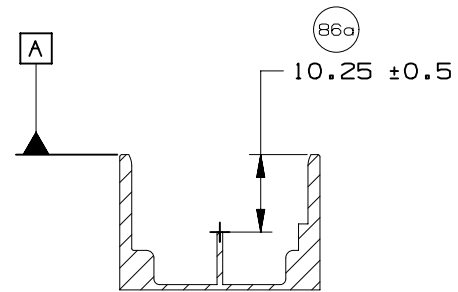
PAGE TITLE
 COMPONENT CONNECTOR INTERFACE

DRAWING NUMBER
 12642695

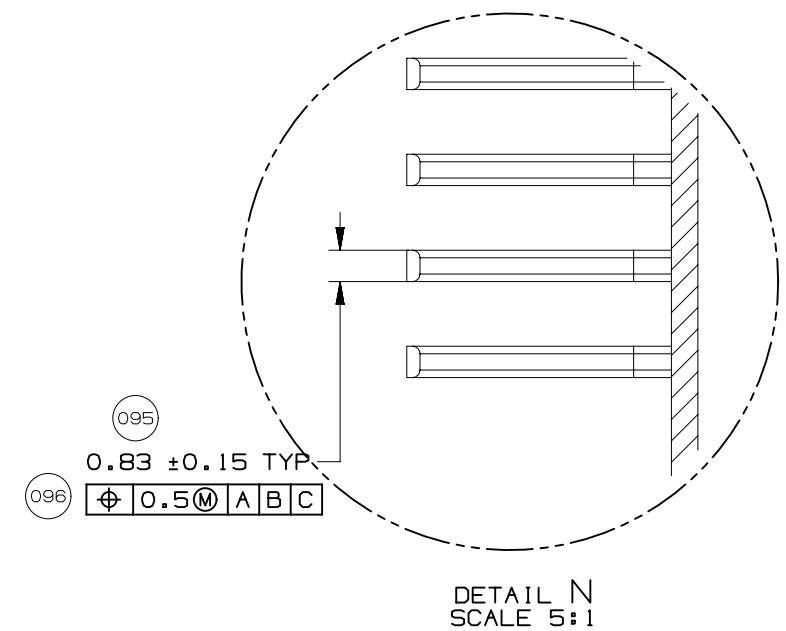
DWG STATUS			PAGE NUMBER	
ST	REV	PD1		
R	002		17	OF 21

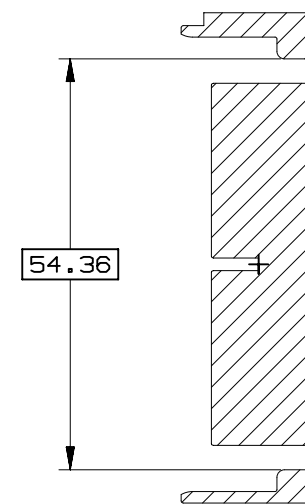
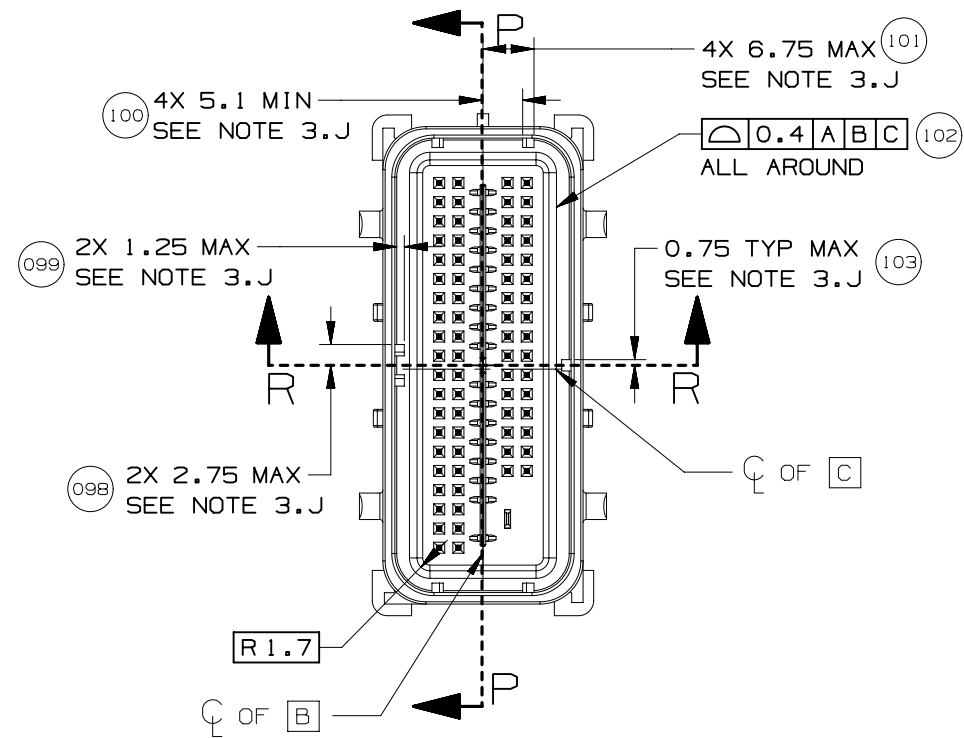


SECTION K-K

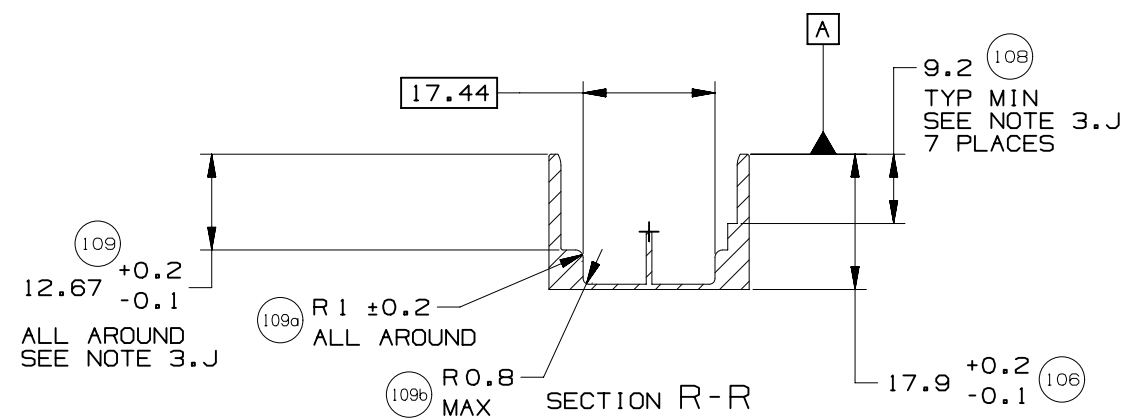


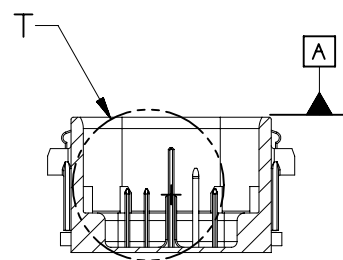
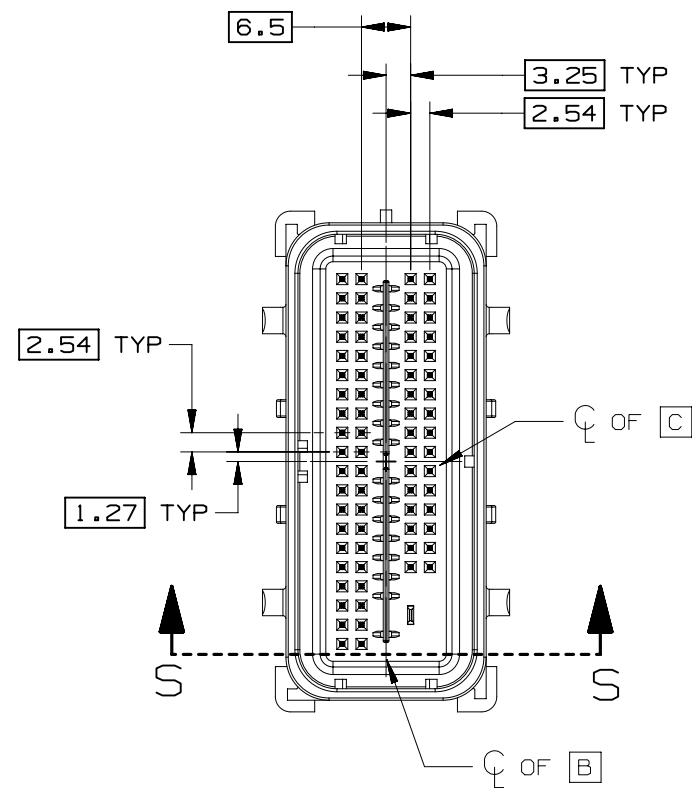
SECTION AD-AD



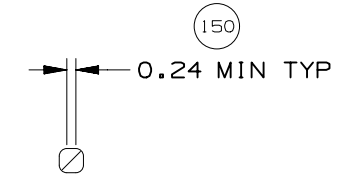
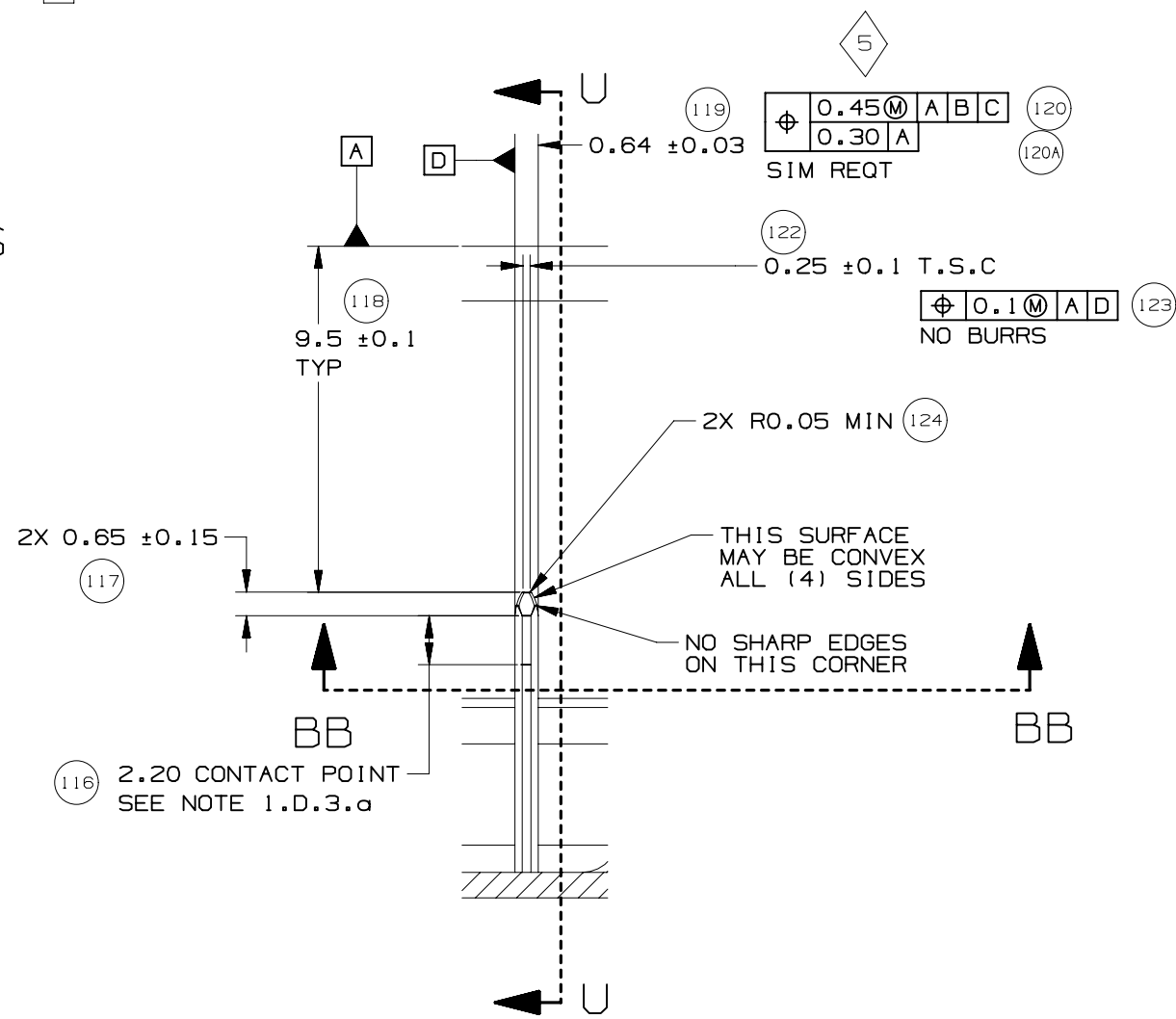


SECTION P-P

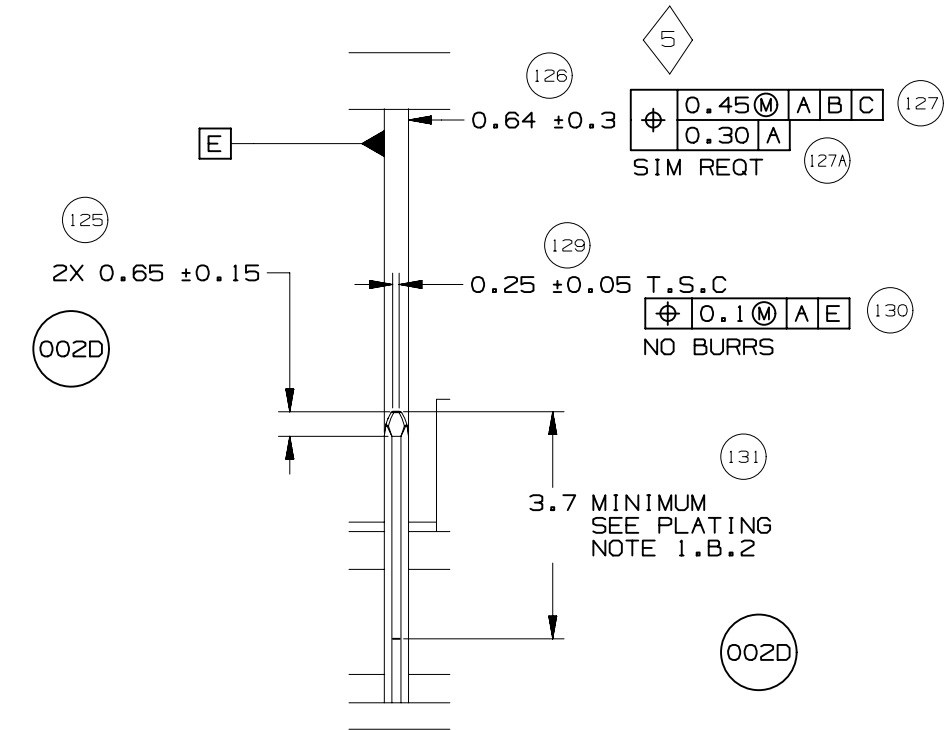




SECTION S-S

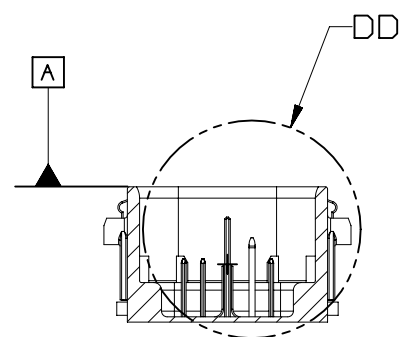
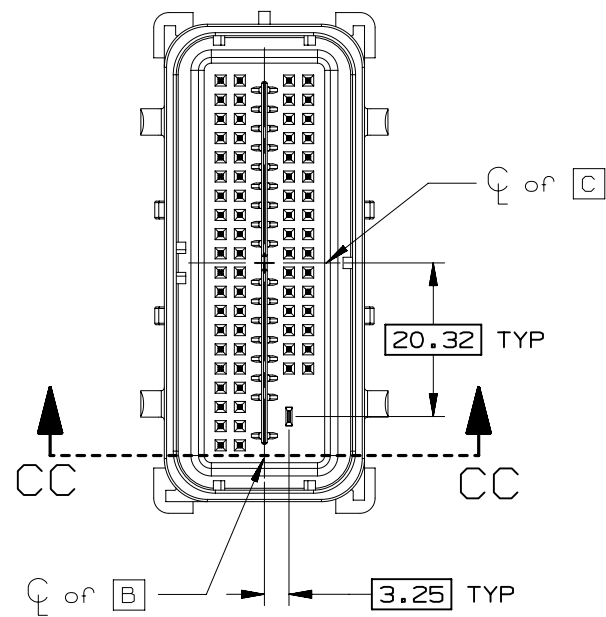


SECTION BB-BB

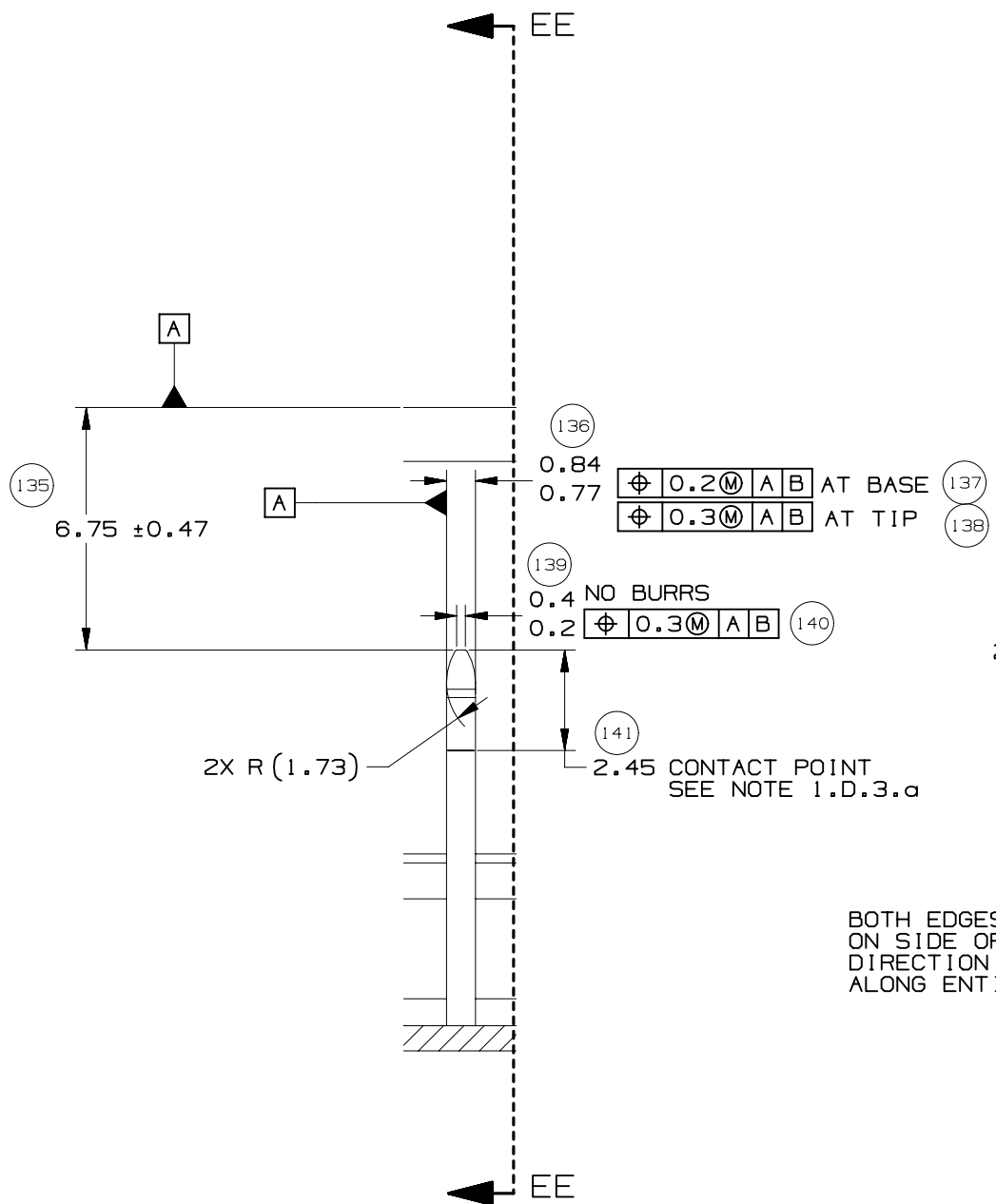


SECTION U-U

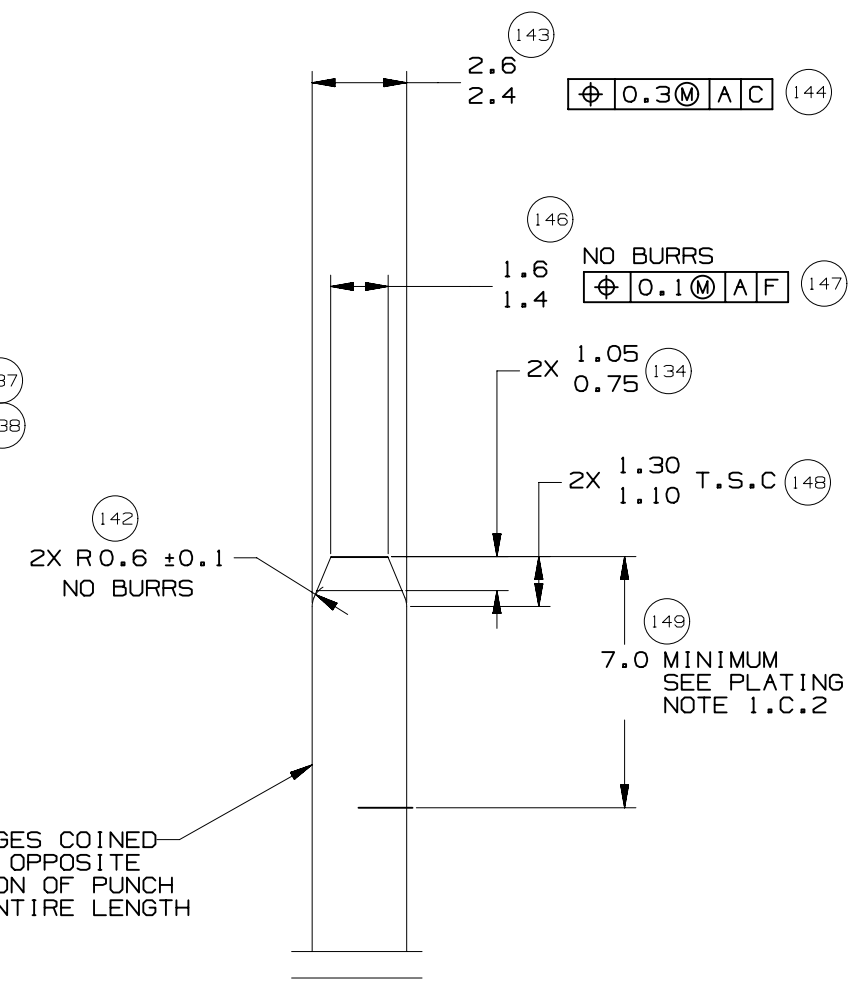




SECTION CC-CC



DETAIL DD
TYPICAL
SCALE 5:1

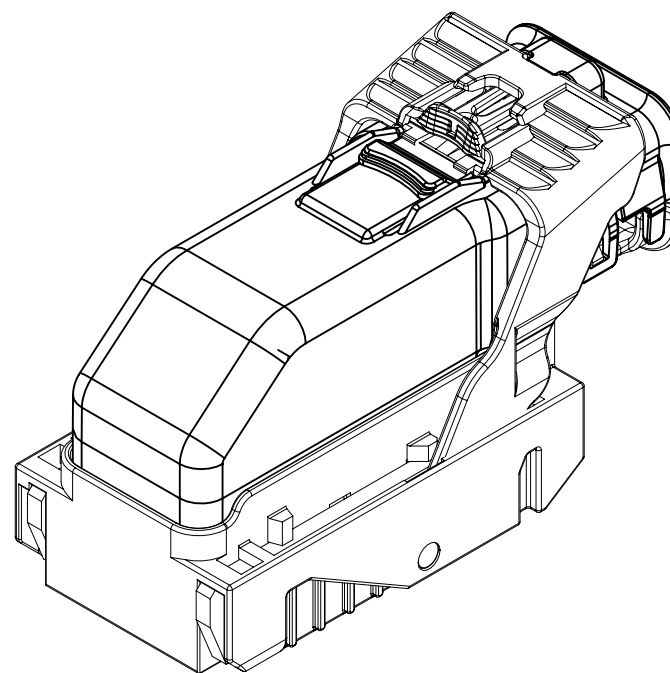


SECTION EE-EE
TYPICAL


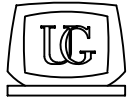
BOTH EDGES COINED
ON SIDE OPPOSITE
DIRECTION OF PUNCH
ALONG ENTIRE LENGTH



INDEX	
PAGE TITLE	PAGE
TITLE BLOCK	1
REVISION BLOCK	2
PART BLOCK	3
KPC BLOCK	4
COMPONENT TABLE	5
NOTES	6
NOTES	7
WIRE DRESS PACKAGING DIMENSIONS	8
LOCATION AND PACKAGING DIMENSIONS REFERENCING INTERFACE DATUMS B & C	9
LOCATION AND PACKAGING DIMENSIONS REFERENCING INTERFACE DATUM A	10
KEY ID REF - WIRE DRESS OPTION 0	11
KEY ID REF - WIRE DRESS OPTION 9	12
CIRCUIT CONFIGURATIONS	13
CIRCUIT CONFIGURATIONS	14
COMPONENT CONNECTOR INTERFACE	15
COMPONENT CONNECTOR INTERFACE	16
COMPONENT CONNECTOR INTERFACE	17
COMPONENT CONNECTOR INTERFACE	18
COMPONENT CONNECTOR INTERFACE	19
COMPONENT CONNECTOR INTERFACE	20
COMPONENT CONNECTOR INTERFACE	21
ADDITIONAL COMPONENTS REQUIRED	22




ISO VIEW

	<p>UNLESS OTHERWISE SPECIFIED: THIS DOCUMENT IS IN ACCORDANCE WITH ASME Y14.5M-1994 AS AMMENDED BY THE GM GLOBAL DIMENSIONING AND TOLERANCING ADDENDUM-1997. ALL GEOMETRIC TOLERANCES AND RELATED DATUMS APPLY RFS. RULE #1 (PERFECT FORM AT MMC) DOES NOT APPLY WHEN A RELATIONSHIP BETWEEN FEATURES IS ESTABLISHED BY ORIENTATION OR LOCATION TOLERANCES. SEPARATE POSITION CALLOUTS MAY BE GAGED SEPARATELY REGARDLESS OF DATUM REFERENCES.</p>			DATE
	 CHANGE RESTRICTED NO MANUAL CHANGES	REFERENCE 12H (MOLEX AUTOMOTIVE)	DRAFTER APVD1	05JN15
DO NOT SCALE		APVD2		
METRIC DIMENSIONS SHOWN IN MILLIMETERS UNLESS OTHERWISE SPECIFIED	DRAWING NAME	APVD3		
	HARNESS CONN ASM-SEALED 52/66/73/80 CKTS, MX123	APVD4		
		APVD5		
	DRAWING NUMBER	DWG STATUS		
	12672833	ST	REV	
		R	001	
		PAGE NUMBER		
		1	OF 22	

PAGE	DWG STATUS					REVISION HISTORY	AUTH	DR	CK	ENG
	DATE	ST	REV	CHG	PDI					
	05JN15	R	001			RELEASED TO PRODUCTION AT DLS A	CRMRJE	DFK		

PAGE	DWG STATUS					REVISION HISTORY	AUTH	DR	CK	ENG
	DATE	ST	REV	CHG	PDI					

	PAGE TITLE	DRAWING NUMBER	DWG STATUS			PAGE NUMBER	
	REVISION BLOCK		12672833	ST	REV		PDI
			R	001			2 OF 22

KEY PRODUCT CHARACTERISTICS
(IN ACCORDANCE WITH QN 1805 OR ON 1050)



SAFETY/COMPLIANCE

TOTAL ON
DRAWING

4



FIT/FUNCTION

LAST NO.
USED

4

NO	TYPE	DESCRIPTION	RATIONALE	PAGE/ZONE
1	F/F	32.68	IMPROVE CONNECTOR SYSTEM MATING	16
2	F/F	29.00	INSURE PROPER RELEASE OF LEVER	16
3	F/F	15.25	INSURE FINAL MATE POSITION	17
4	F/F	POSITIONAL TOLERANCE (2 PLACES)	INSURE CONNECTOR SYSTEM MATEABILITY	20



PAGE TITLE
KPC BLOCK

DRAWING NUMBER

12672833

DWG STATUS

ST	REV	PDI
----	-----	-----

R	001	
---	-----	--

PAGE NUMBER

4 OF 22

LINE	MFG.	MFG. P/N	GM P/N	EFFECTIVE DATE	APPLICABLE COMPONENTS	KEY OPTION	WIRE DRESS OPTION	KEY CONFIG.	COLOR	STATUS
					DESCRIPTION					
-										
1	MOLEX	34565-0003	12582676	02JN03	MX123 DRESS COVER 52/66/73/80 CKT	N/A	N/A	N/A	BLACK	AVAILABLE
2	MOLEX	160094-0001	12672852	01SP13	MX123 HRNS CONN ASSY 52 CKT	A	0	1458	BLACK	AVAILABLE
3	MOLEX	160094-0003	12672854	01SP13	MX123 HRNS CONN ASSY 52 CKT	C	0	2467	BLUE	AVAILABLE
4	MOLEX	160094-0013	12672853	01SP13	MX123 HRNS CONN ASSY 52 CKT	A	9	1458	BLACK	AVAILABLE
5	MOLEX	160094-0015	12672855	01SP13	MX123 HRNS CONN ASSY 52 CKT	C	9	2467	BLUE	AVAILABLE
6	MOLEX	34822-0013	12672856	01SP13	MX123 HRNS CONN ASSY 66 CKT	A	0	1458	BLACK	AVAILABLE
7	MOLEX	34822-0033	12672858	01SP13	MX123 HRNS CONN ASSY 66 CKT	C	0	2467	BLUE	AVAILABLE
8	MOLEX	34822-0023	12672857	01SP13	MX123 HRNS CONN ASSY 66 CKT	A	9	1458	BLACK	AVAILABLE
9	MOLEX	34822-0043	12672859	01SP13	MX123 HRNS CONN ASSY 66 CKT	C	9	2467	BLUE	AVAILABLE
10	MOLEX	34566-0103	12672860	11JN04	MX123 HRNS CONN ASSY 73 CKT	A	0	1458	BLACK	AVAILABLE
11	MOLEX	34566-0203	12672862	11JN04	MX123 HRNS CONN ASSY 73 CKT	B	0	1468	ST GRAY	AVAILABLE
12	MOLEX	34566-0303	12672864	09AP08	MX123 HRNS CONN ASSY 73 CKT	C	0	2467	BLUE	AVAILABLE
13	MOLEX	34566-0603	12672866	05DC14	MX123 HRNS CONN ASSY 73 CKT	F	0	1357	NATURAL	AVAILABLE
14	MOLEX	34566-1303	12672861	11JN04	MX123 HRNS CONN ASSY 73 CKT	A	9	1458	BLACK	AVAILABLE
15	MOLEX	34566-1403	12672863	11JN04	MX123 HRNS CONN ASSY 73 CKT	B	9	1468	ST GRAY	AVAILABLE
16	MOLEX	34566-1503	12672865	09AP08	MX123 HRNS CONN ASSY 73 CKT	C	9	2467	BLUE	AVAILABLE
17	MOLEX	34566-1803	12672867	05DC14	MX123 HRNS CONN ASSY 73 CKT	F	9	1357	NATURAL	AVAILABLE
18	MOLEX	34566-0703	12672872	09AP08	MX123 HRNS CONN ASSY 80 CKT	G	0	1358	BLUE	AVAILABLE
19	MOLEX	34566-0803	12672870	11JN04	MX123 HRNS CONN ASSY 80 CKT	H	0	2458	ST GRAY	AVAILABLE
20	MOLEX	34566-0903	12672868	T.B.D	MX123 HRNS CONN ASSY 80 CKT	J	0	2457	BLACK	NOT ACTIVE
21	MOLEX	34566-1903	12672873	09AP08	MX123 HRNS CONN ASSY 80 CKT	G	9	1358	BLUE	AVAILABLE
22	MOLEX	34566-2003	12672871	11JN04	MX123 HRNS CONN ASSY 80 CKT	H	9	2458	ST GRAY	AVAILABLE
23	MOLEX	34566-2103	12672869	T.B.D	MX123 HRNS CONN ASSY 80 CKT	J	9	2457	BLACK	NOT ACTIVE
24	MOLEX	34736-0028	12672851	01AU10	MX64 RCPT TERM Ag 0.5mm/0.75mm ISO GAGE B (RIGHT PAYOFF)	N/A	N/A	N/A	N/A	AVAILABLE
25	MOLEX	34736-0026	12672850	01AU10	MX64 RCPT TERM Ag 0.35mm ISO GAGE B (RIGHT PAYOFF)	N/A	N/A	N/A	N/A	AVAILABLE
26	MOLEX	34586-0001	12674820	11JN04	MX123 0.64mm GROMMET PLUG	N/A	N/A	N/A	NATURAL	AVAILABLE
27	YAZAKI	7116-4150-02	12588066	02JN03	2.8mm YESC SEALED FEMALE TERMINAL TIN 0.35mm2-0.50mm2	N/A	N/A	N/A	N/A	NOT ACTIVE
28	YAZAKI	7116-4151-02	12588067	02JN03	2.8mm YESC SEALED FEMALE TERMINAL TIN 0.75mm2-1.0mm2	N/A	N/A	N/A	N/A	NOT ACTIVE
29	YAZAKI	7116-4152-02	12582685	02JN03	2.8mm YESC SEALED FEMALE TERMINAL TIN 1.5mm2-2.5mm2	N/A	N/A	N/A	N/A	AVAILABLE
30	YAZAKI	7158-3111-60	12588068	02JN03	2.8mm CABLE SEAL (wire O.D. range 1.2mm-1.9mm)	N/A	N/A	N/A	GREEN	NOT ACTIVE
31	YAZAKI	7158-3112-70	12588069	02JN03	2.8mm CABLE SEAL (wire O.D. range 1.8mm-2.3mm)	N/A	N/A	N/A	YELLOW	NOT ACTIVE
32	YAZAKI	7158-3113-40	12582686	02JN03	2.8mm CABLE SEAL (wire O.D. range 2.1mm-3.0mm)	N/A	N/A	N/A	WHITE	AVAILABLE
33	YAZAKI	7158-3114-90	12674821	02JN03	2.8mm YESC CAVITY PLUG	N/A	N/A	N/A	BLUE	AVAILABLE
34	MOLEX	63825-8400	N/A	02JN03	MX64 TERM HAND CRIMP TOOL	N/A	N/A	N/A	N/A	AVAILABLE
35	MOLEX	63813-1400	XX019826	02JN03	MX64 TERM SERVICE TOOL	N/A	N/A	N/A	N/A	AVAILABLE
36	MOLEX	63902-5300	N/A	02JN03	MX64 CRIMP APPLICATOR with TOOL KIT 0.5/0.75mm2 PAYOFF DIRECTION D (left payoff) (contact Molex for payoff detail)	N/A	N/A	N/A	N/A	AVAILABLE
37	MOLEX	63902-5370	N/A	02JN03	MX64 APPLICATOR TOOL KIT 0.5/0.75mm2	N/A	N/A	N/A	N/A	AVAILABLE
38	MOLEX	63902-5100	N/A	02JN03	MX64 CRIMP APPLICATOR with TOOL KIT 0.35mm2 PAYOFF DIRECTION D (left payoff) (contact Molex for payoff detail)	N/A	N/A	N/A	N/A	AVAILABLE
39	MOLEX	63902-5170	N/A	02JN03	MX64 APPLICATOR TOOL KIT 0.35mm2	N/A	N/A	N/A	N/A	AVAILABLE
40	SPX	J35616-64	T.B.D.	02JN03	0.64mm PROBE TOOL (for rcpt)	N/A	N/A	N/A	N/A	AVAILABLE
41	SPX	J35616-64A	T.B.D.	02JN03	0.64mm PROBE TOOL WITH EXT (for rcpt)	N/A	N/A	N/A	N/A	AVAILABLE
42	SPX	J35616-65	T.B.D.	02JN03	0.64mm PROBE TOOL WITH EXT (for pin)	N/A	N/A	N/A	N/A	AVAILABLE
43	SPX	J35616-4A	T.B.D.	02JN03	2.8mm PROBE TOOL (for rcpt)	N/A	N/A	N/A	N/A	AVAILABLE
44	YAZAKI	X39899-J374	12094430	02JN03	2.8mm TERM SERVICE TOOL	N/A	N/A	N/A	N/A	AVAILABLE
45	TQI	7000-1006	N/A	15JN15	52 CKT PASS THROUGH ADAPTERS	N/A	N/A	N/A	BLACK	AVAILABLE
46	TQI	7000-1002	N/A	15JN15	66 CKT PASS THROUGH ADAPTERS	N/A	N/A	N/A	BLACK	AVAILABLE
47	TQI	79917-0061	N/A	15JN15	73 CKT PASS THROUGH ADAPTERS	N/A	N/A	N/A	BLACK	AVAILABLE
48	TQI	79917-0066	N/A	15JN15	80 CKT PASS THROUGH ADAPTERS	N/A	N/A	N/A	BLACK	AVAILABLE

* - MX123 DRESS COVER 52/66/73/80 CKT MATES TO ANY MX123 HARN CONN ASSY SHOWN ON TABLE ABOVE



PAGE TITLE
COMPONENT TABLE

DRAWING NUMBER

12672833

DWG STATUS

ST	REV	PD1
R	001	

PAGE NUMBER

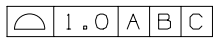
5 OF 22

NOTES: UNLESS OTHERWISE SPECIFIED

1. MATERIAL FOR INTERFACE:


- A. RESIN:
 - 1. 30% G.F. PBT; 20% MAX. (BY WEIGHT) REGRIND.
 - 2. MATING CONNECTOR INTERFACE PART COLOR MUST BE SAME AS MATCHING KEYED HARNESS CONNECTOR ASSEMBLY.
 - 3. MUST BE VALIDATED FOR INDIVIDUAL DEVICE APPLICATION REQUIREMENTS.
- B. 0.64MM PINS:
 - 1. BASE MATERIAL: COPPER ALLOY; CONDUCTIVITY >= 28% IACS AT 20°C; TENSILE STRENGTH >= 635 N/mm²; SURFACE ROUGHNESS R_a 6 MAX.
 - 2. PLATING FINISH: SILVER (Ag). PLATING TO BE 1.9-3.3 μm ELECTRODEPOSITED SEMI-BRIGHT SILVER OVER 1.25-2.25 μm DUCTILE SULPHAMATE NICKEL PER NOTE 1(D).
 - 3. ANTI-TARNISH: SYNTHETIC HYDROCARBON CONTACT SURFACE FINISH OR EQUIVALENT APPLIED WITHOUT VOID TO CONTACT AREA (MIN 3.7mm FROM PIN TIP).
- C. 2.8MM BLADE:
 - 1. BASE MATERIAL: COPPER ALLOY; CONDUCTIVITY >= 28% IACS AT 20°C; TENSILE STRENGTH >= 350 N/mm²; SURFACE ROUGHNESS R_a 6 MAX.
 - 2. PLATING FINISH: TIN. PLATING TO BE 2.5-5.0 μm ELECTRODEPOSITED TIN, MATTE FINISH OVER 1.25-2.5 μm DUCTILE SULPHAMATE NICKEL PER NOTE 1(D).
- D. PLATING REQUIREMENTS:
 - 1. SILVER PLATING
 - a. 99.5% PURE SEMI-BRIGHT WITH NO ORGANIC BRIGHTNERS OR CHROMATES.
 - 2. NICKEL PLATING
 - a. ELECTRODEPOSITED DUCTILE SULFAMATE NICKEL WITH A NON-BRIGHTENED FINISH. NO ORGANIC OR BRIGHTENING AGENTS SHALL BE ALLOWED.
 - b. SHALL ONLY BE USED AS AN UNDERLYING PLATING AND MAY NOT BE USED AS AN ELECTRICAL CONTACT SURFACE PLATING.
 - c. SHALL BE NODULE FREE WHEN VIEWED AT 10X MAGNIFICATION IN MEASURED IN CONTACT SURFACE AREA PLUS 0.5MM PERIMETER AROUND THE CONTACT SURFACE AREA.
 - d. ALL PLATINGS SHALL HAVE A 1.0% MAXIMUM BY WEIGHT IMPURITIES. IMPURITIES ARE DEFINED AS ALL ELEMENTS NOT THE PRIMARY PLATING OR HARDENING AGENT IF APPLICABLE, AS DETERMINED BY WET CHEMICAL ANALYSIS OR AUGER METHOD. NO SINGLE IMPURITY SHALL EXCEED 0.1% MAXIMUM BY WEIGHT.
 - 3. TESTING
 - a. THICKNESS TO BE MEASURED IN CONTACT SURFACE AREA PLUS 0.5MM PERIMETER AROUND THE CONTACT SURFACE AREA AS DESIGNATED IN THE DRAWING. THICKNESS SHALL BE DETERMINED BY METHOD OF X-RAY (XRF).
 - b. PLATING ADHESION SHALL BE TESTED BY A BEND TEST FOR ALL METALS. THE TEST SAMPLE SHALL BE BENT 90 DEGREES TO DETERMINE DEPOSIT ADHESION. TESTING SHALL BE COMPLETED IN ACCORDANCE WITH ASTM SPEC B571.

2. DESIGN - GENERAL:

- A. THIS IS A 100% CAD GENERATED PART. THE CAD MATHEMATICAL DATA IS THE MASTER FOR THIS PART. FOR DIMENSIONAL OR ANY INFORMATION NOT SHOWN ON THIS DRAWING, ANALYZE THE CAD MODEL.
- B. TOLERANCES:
 - 1. LINEAR
 - 0.X ± 0.30
 - 0.XX ± 0.10
 - 0.XXX ± 0.10
 - 2. ANGULAR X° ± 3°
 - 3. 
- C. MINIMUM WALL THICKNESS REQUIRED: 1.3mm.
- D. CORNERS SHOWN AS SHARP TO BE R 0.2 MAX.
- E. LETTERING SHALL BE 0.15 MAX RAISED IN 0.20 MAX RECESS PAD. THIS INCLUDES MATERIAL CODE, RECYCLING CODE, CAVITY ID AND DATE CODE.
- F-1. PARTS MUST BE FREE OF DISCOLORATION, SALT RESIDUE AND OTHER IMPERFECTIONS THAT AFFECT FIT OR FUNCTION.
- F-2. SCRATCHES OR DENTS NOT TO EXCEED 0.013mm IN DEPTH.
- G. FOLLOWING PRODUCTION CODES TO BE PERMANENTLY MARKED & HUMAN READABLE TO A LETTER HEIGHT OF 1.5 ± 0.5MM X 0.3 MAX DEEP
 - 1. MATERIAL #: XXXXX-XXXX
 - 2. DATE CODE: JJYY (JULIAN DAY, LAST DIGIT OF YEAR)
 - 3. INSPECTION MACHINE CODE + SERIAL #: X_XXXXX

3. DESIGN - MANUFACTURING:

- A. DRAFT TO BE WITHIN TOLERANCE.
- B. ALLOWABLE FLASH MAX 0.2 HIGH X MAX 0.13 THICK.
- C. ALLOWABLE PARTING LINE MISMATCH 0.2 MAX.
- D. EJECTOR PINS MARK TO BE FLUSH TO 0.25 MAX DEPRESSED.
- E. ALLOWABLE GATE VESTIGE FLUSH TO 0.25 MAX PROTRUSION.
- F. NO EXTERNAL MOLD RELEASE AGENT ALLOWED DURING MANUFACTURING.
- G. STEEL THAT FORMS THE INDICATED SURFACE MUST BE POLISHED WITH A DIAMOND FINISH (SPI A-2) OVER THE FULL PERIPHERY OF THE TOOL. SURFACE MUST HAVE NO MISMATCH.
- H. ANY PROCESS LUBRICANT REMAINING ON THE TERMINAL MUST NOT VARNISH OR DEGRADE IT'S ELECTRICAL PERFORMANCE UP TO A MAXIMUM CLASS AMBIENT TEMPERATURE PER SAE USCAR-2 FOR 1008 HOURS. PROCESS LUBRICANTS SHOULD BE APPROVED BY THE RESPONSIBLE ENGINEER.
- J. OPTIONAL FEATURES PROVIDED FOR AUTOMATION.
- K. PART MUST BE FREE FROM BURRS AND SHARP EDGES, WHICH MIGHT BE DETRIMENTAL TO SATISFACTORY ASSEMBLY, SAFE HANDLING OR FUNCTION OF PART.
- L. PARTS AS DELIVERED TO ASSEMBLY SHALL BE CLEAN AND FREE OF DEBRIS, RESIDUAL ABRASIVE MATERIAL AND CORROSION PRODUCTS ADVERESLY AFFECTING FUNCTION OR APPEARENCE.
- M. RESTRICTED AND REPORTABLE SUBSTANCES FOR PARTS PER GMW3059.

	PAGE TITLE	DRAWING NUMBER	DWG STATUS			PAGE NUMBER	
	NOTES		12672833	ST	REV	PDI	6 OF 22
				R	001		

NOTES: UNLESS OTHERWISE SPECIFIED

4. SYSTEM REQUIREMENTS:

- A. HARNESS CONNECTOR IS COMPATIBLE WITH THE FOLLOWING ISO WIRE SIZE NO'S:
 0.35mm², MEETING GMW15626 - MIN OD OF 1.30MM
 0.50mm², MEETING GMW15626
 0.75mm², MEETING GMW15626 - MAX OD OF 2.06MM

B. CABLE TIE SPECIFICATIONS:

1. CABLE TIE:
 TENSILE RATING: 220N / (50lbs) MIN
 TIE LENGTH: 186mm MIN
 TIE WIDTH: 4.75mm MAX
 MATERIAL: NYLON
 2. INSTALLATION:
 CABLE TIE TENSION: 190N MIN
 3. DRESSED WIRE BUNDLE PACKAGING: SEE FIG. 1

C. WHEN MATED WITH COMPONENT CONNECTOR INTERFACE AND/OR DRESS COVER, HARNESS CONNECTOR SYSTEM CONFORMS TO THE FOLLOWING:

1. SAE/USCAR-2, REV: 3 APRIL, 2001; CLASS 3
 2. FIELD CORRELATED LIFE TEST, SAE/USCAR-20, NOV. 2001
 3. GMW #3191 AUGUST 22, 2000 (DRAFT); TEMPERATURE CLASS 3, SEALING CLASS 1, VIBRATION CLASS 2
 4. RESTRICTED AND REPORTABLE CHEMICALS PER GMW #3059, REV: D AUGUST 2002
 5. TPA USER FORCES (FULLY POPULATED WITH TERMINALS)
 a. REMOVAL FROM LOCK TO PRE-SET: <=120N

D. WIRE SPECIFICATIONS:

1. WIRE SURFACE MUST BE FREE OF SCRATCHES, GROOVES OR DENTS WHERE FUNCTIONAL

5. TERMINAL CURRENT RATINGS:

A. MX64 RCPT TERM

ALL TESTING DONE IN ACCORDANCE WITH USCAR-2 REV5 SECTION 5.3

1. MX64 RCPT TERM Ag 0.50/0.75mm² CRIMPED TO 0.75mm² ISO WIRE AND MATED TO MX123 0.64MM PIN: SEE TABLE BELOW
 2. MX64 RCPT TERM Ag 0.35mm² CRIMPED TO 0.35mm² ISO WIRE AND MATED TO MX123 0.64MM PIN: SEE TABLE BELOW

WIRE	CURRENT RATING			
	23°C	85°C	105°C	125°C
0.75mm ²	11.3A	11.3A	9.5A	6.6A
0.50mm ²	10.0A	10.0A	8.3A	5.7A
0.35mm ²	8.5A	8.5A	7.1A	5.0A

B. 2.8MM RCPT TERM

ALL TESTING DONE IN ACCORDANCE WITH MOLEX DVP&R 0279 (TR # 7125)

1. 2.8MM RCPT TERM TIN 2.0mm² CRIMPED TO 2.0mm² ISO WIRE AND MATED TO MX123 2.8MM BLADE: 25.6 AMPS AT 125°C

6. CONTACT MOLEX AUTOMOTIVE FOR AVAILABLE CUSTOM PATTERNS OF CAVITIES OPEN FOR CIRCUITS - SEE GM DRAWING 13507496



PAGE TITLE
NOTES

DRAWING NUMBER

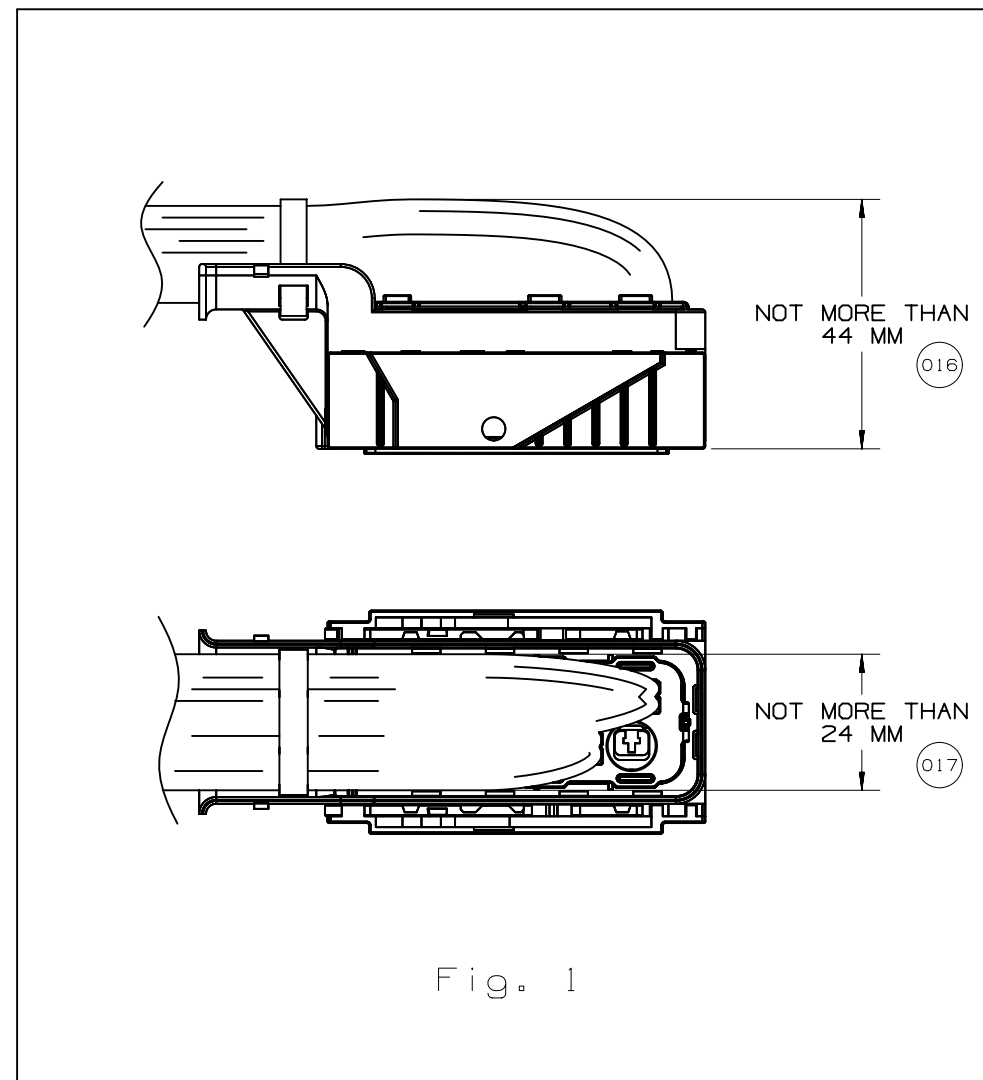
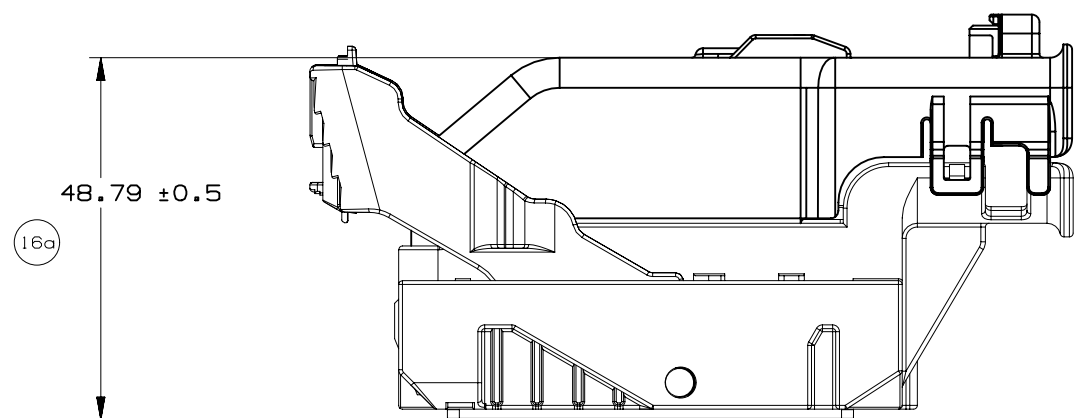
12672833

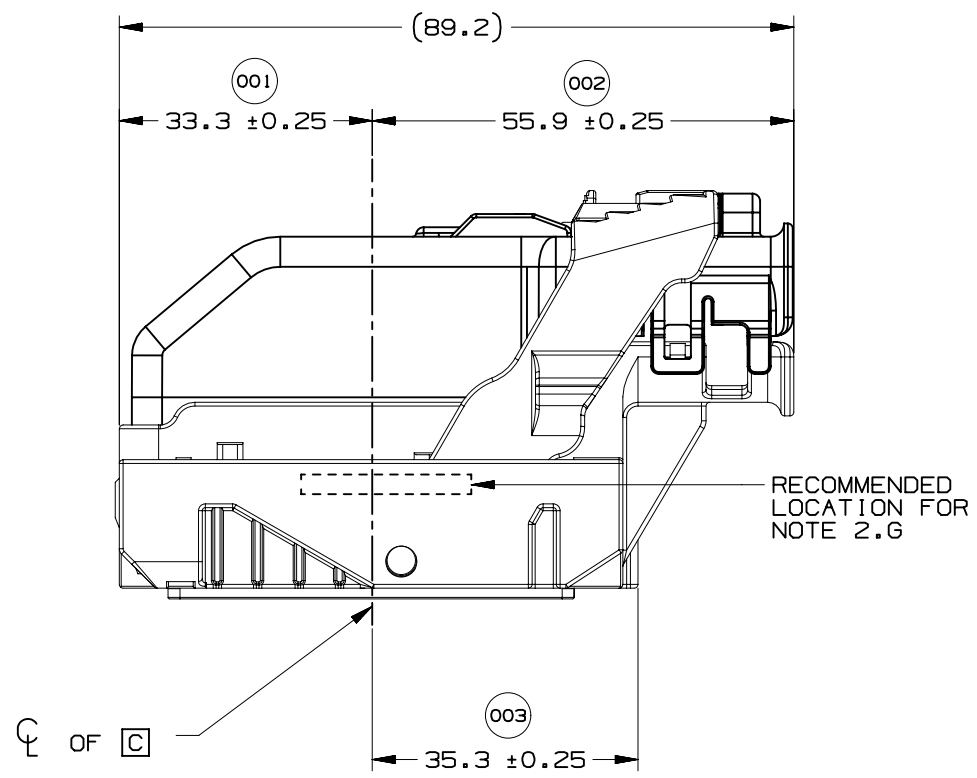
DWG STATUS

ST	REV	PDI
R	001	

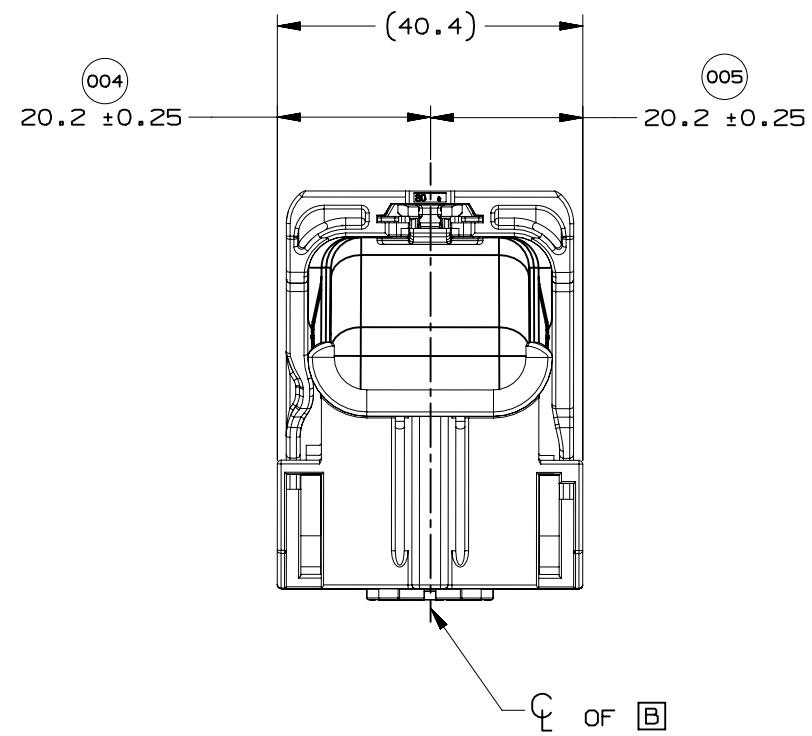
PAGE NUMBER

7 OF 22

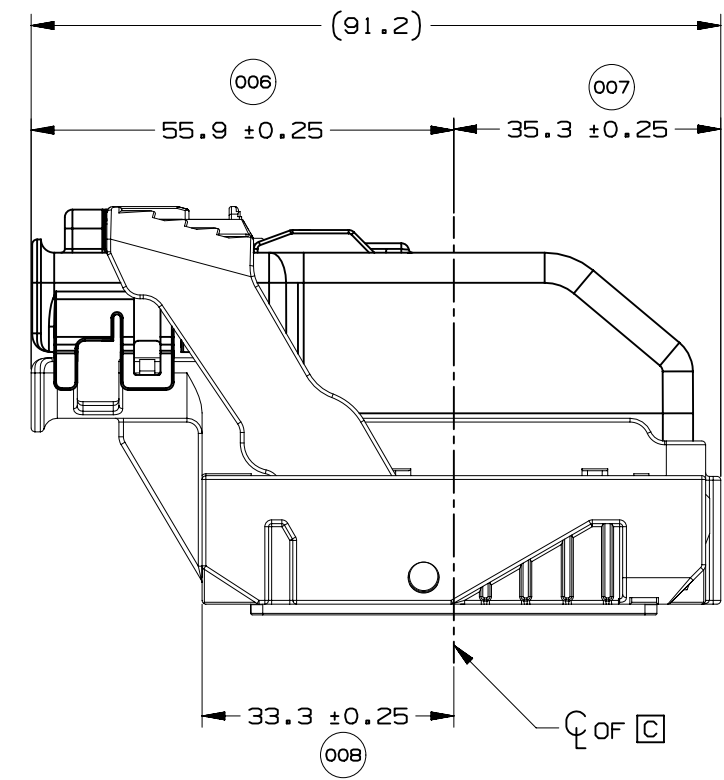




WIRE DRESS OPTION 0 SHOWN

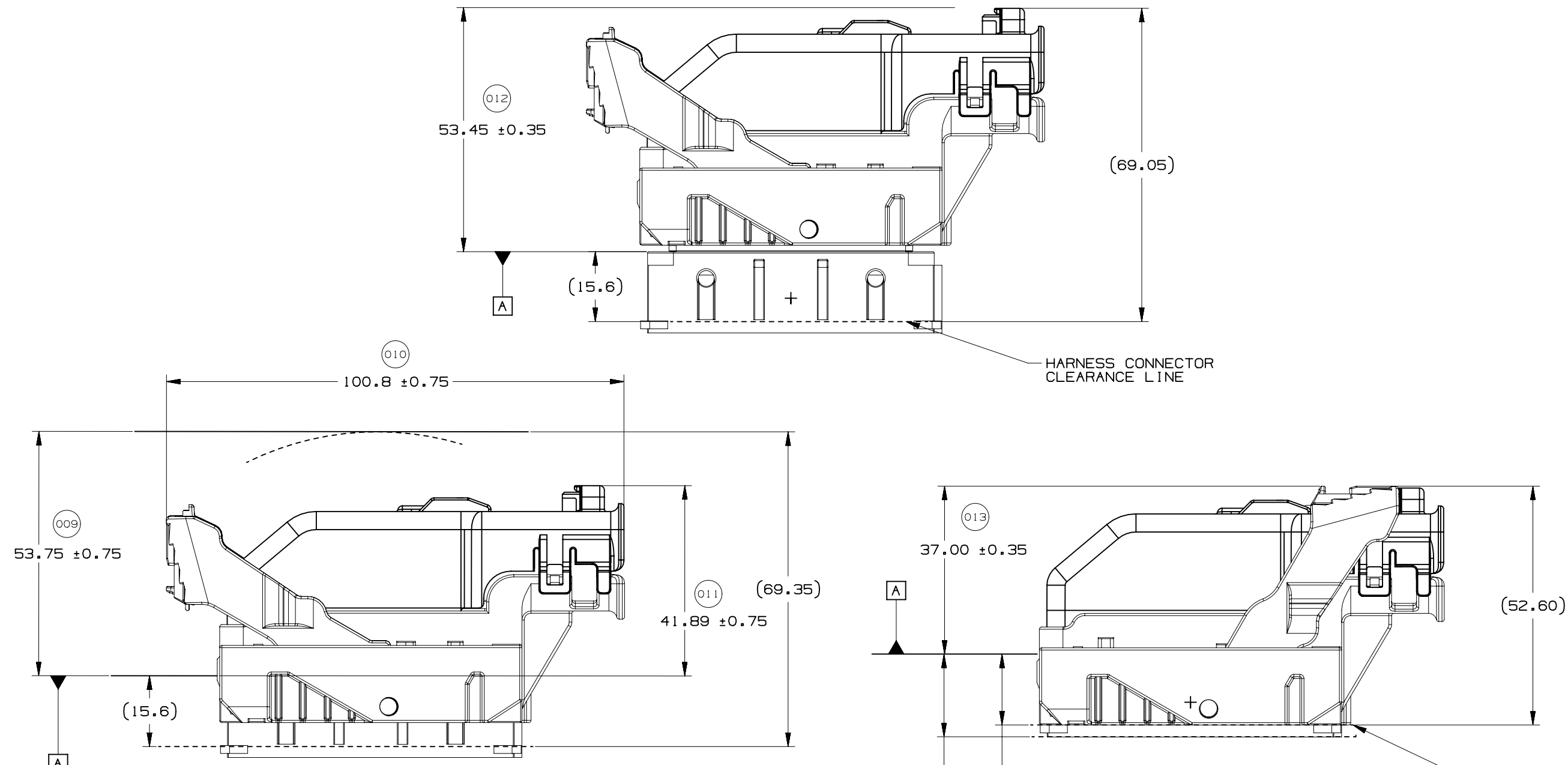


WIRE DRESS OPTION 0 SHOWN



WIRE DRESS OPTION 9 SHOWN





HARNESS CONNECTOR CLEARANCE LINE

HARNESS CONNECTOR ASSEMBLY IN FULLY-MATED POSITION

HARNESS CONNECTOR CLEARANCE LINE

15.6 MIN. ALL AROUND CLEARANCE REQUIRED FOR HARNESS CONNECTOR (014)

17.9 MIN. AT PAD LOCATION CLEARANCE REQUIRED FOR HARNESS CONNECTOR CONSTRUCTION BELOW THIS PLANE IS NOT CONTROLLED (015)

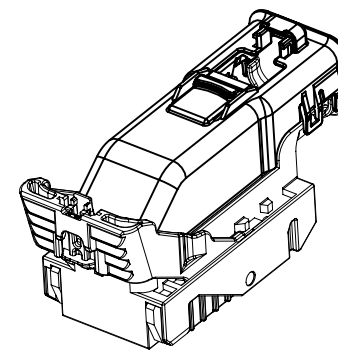
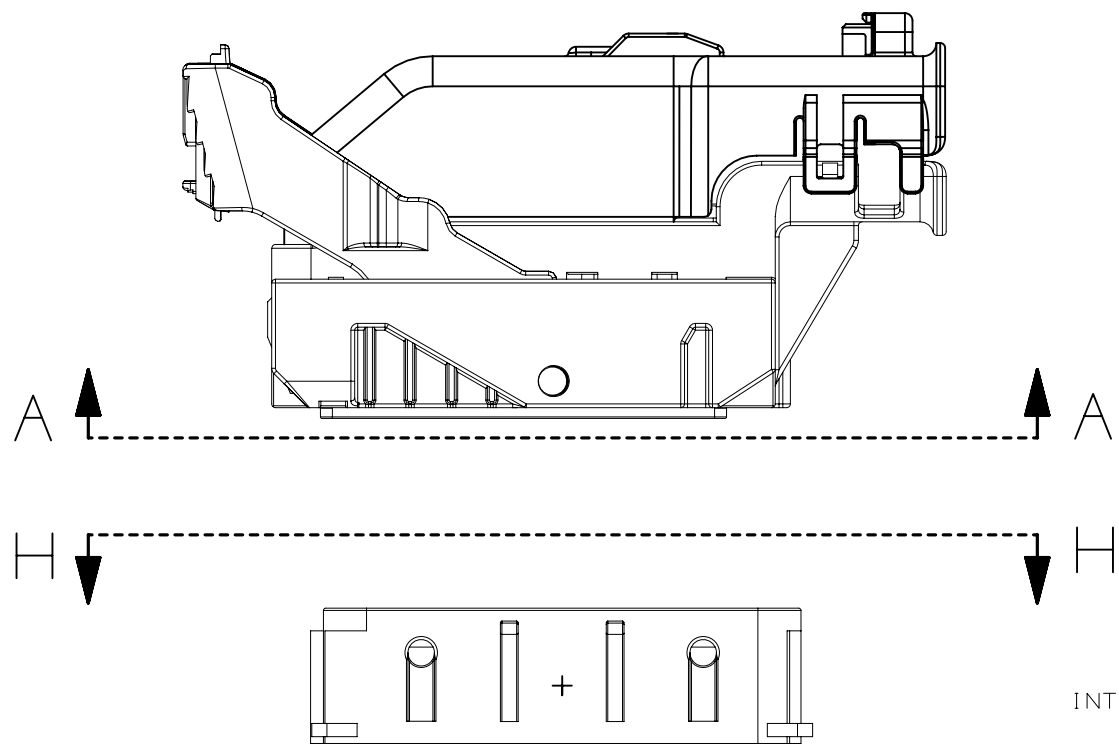


PAGE TITLE
LOCATION AND PACKAGING DIMENSIONS
REFERENCING INTERFACE DATUM A

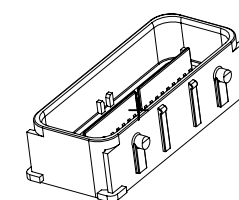
DRAWING NUMBER
12672833

DWG STATUS		
ST	REV	PD1
R	001	

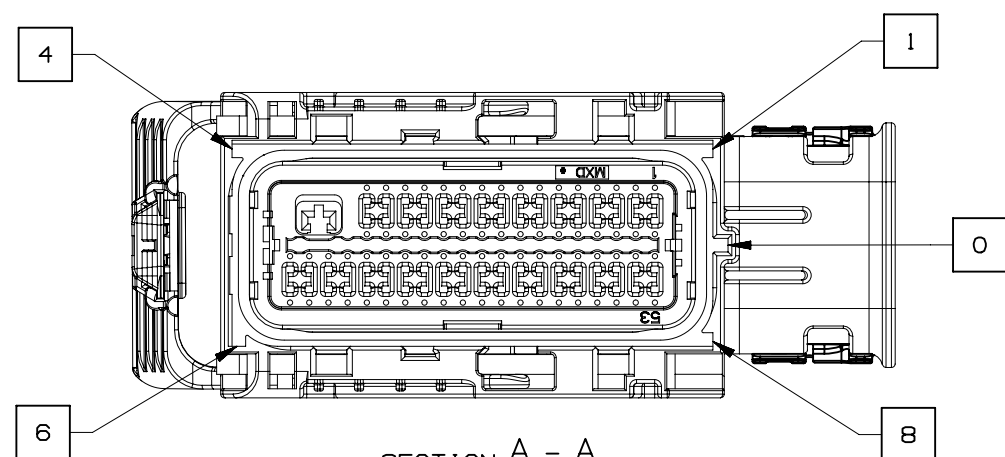
PAGE NUMBER
10 OF 22



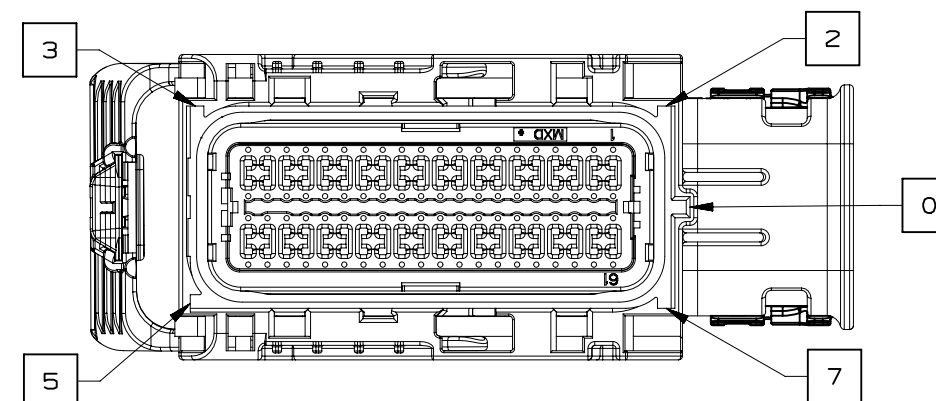
NOTE: REFERENCE THE COMPONENT TABLE FOR KEY OPTIONS AND CONFIGURATIONS



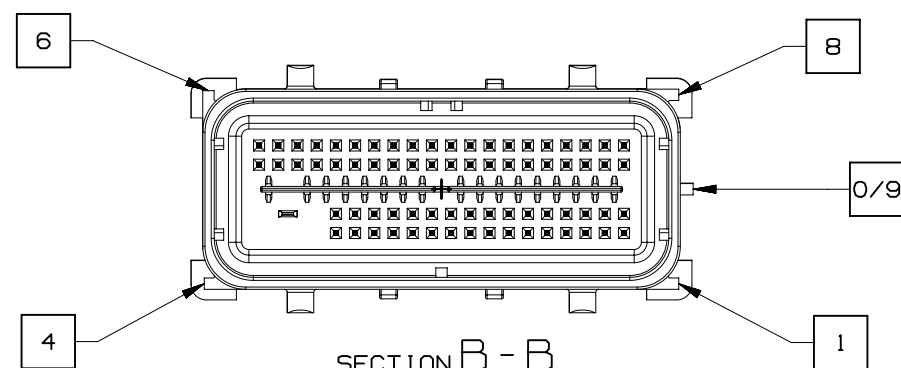
INTERFACE SIDE SHOWN ON ALL SECTION VIEWS



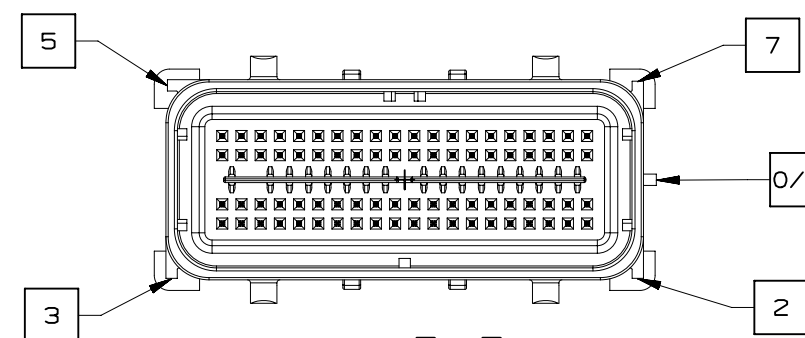
SECTION A - A
73 CKT HARNESS CONNECTOR ASSEMBLY
KEY OPTION B SHOWN



SECTION A - A
80 CKT HARNESS CONNECTOR ASSEMBLY
KEY OPTION K SHOWN



SECTION B - B
73 CKT HARNESS CONNECTOR ASSEMBLY
KEY OPTION B SHOWN



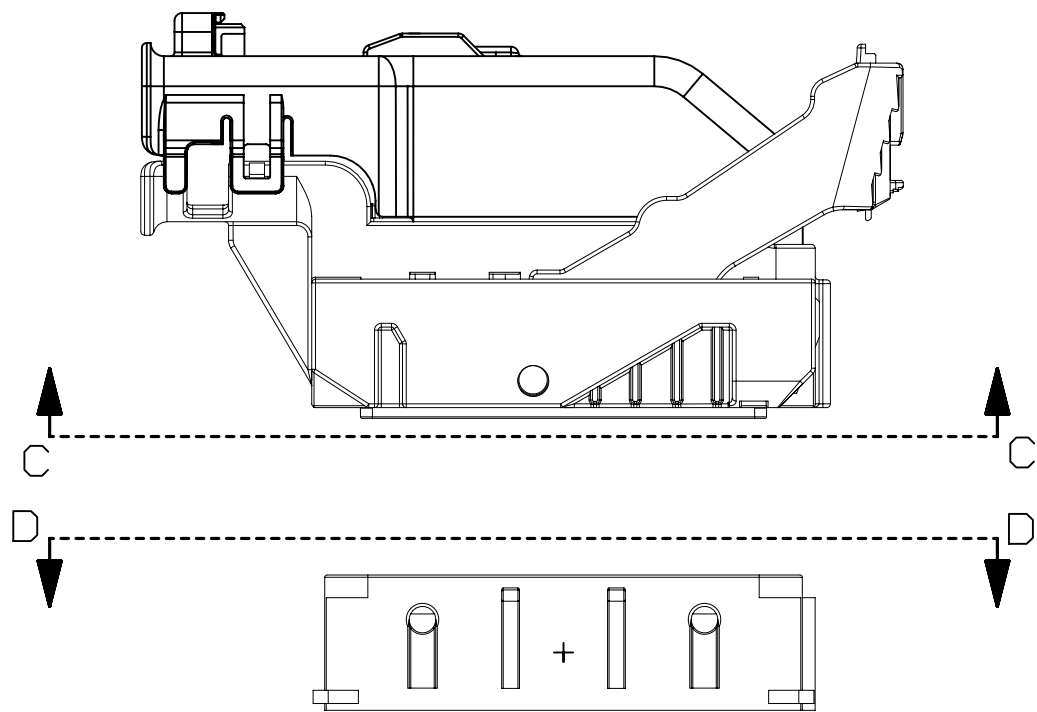
SECTION B - B
80 CKT HARNESS CONNECTOR ASSEMBLY
KEY OPTION K SHOWN



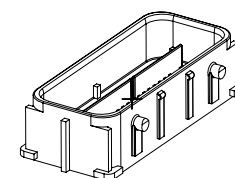
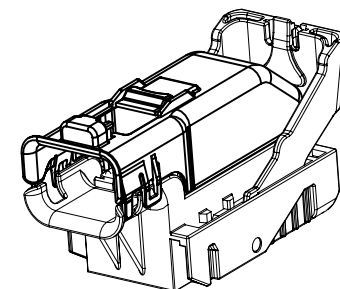
PAGE TITLE
KEY ID REF - WIRE DRESS OPTION 0

DRAWING NUMBER
12672833

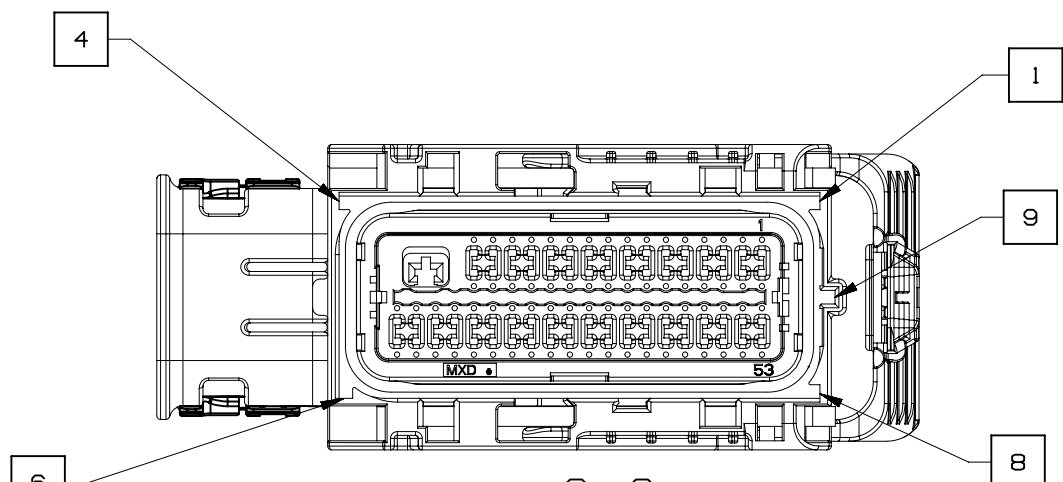
DWG STATUS			PAGE NUMBER
ST	REV	PD1	
R	001		11 OF 22



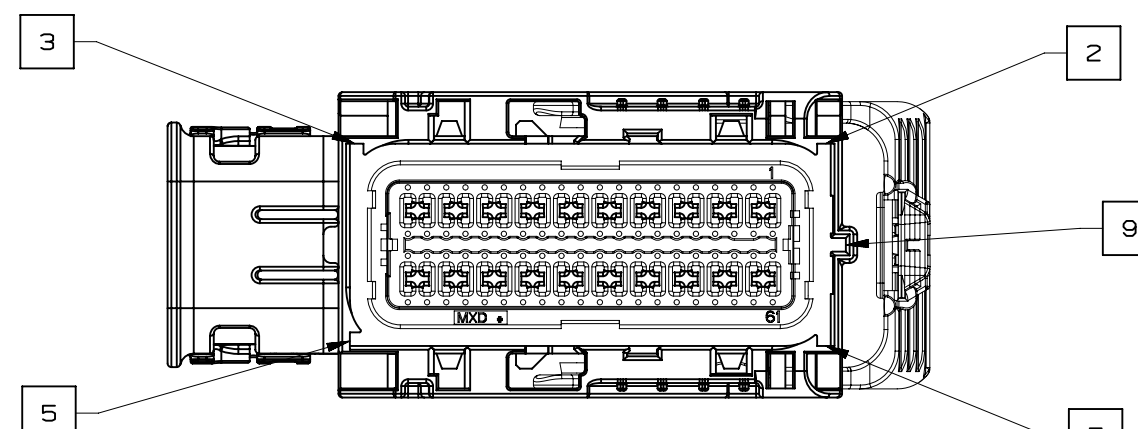
INTERFACE SIDE SHOWN ON ALL SECTION VIEWS



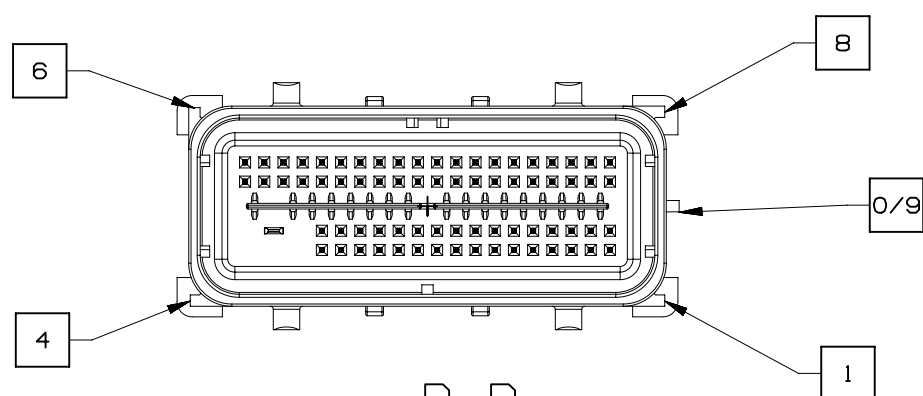
NOTE: REFERENCE THE COMPONENT TABLE FOR KEY OPTIONS AND CONFIGURATIONS



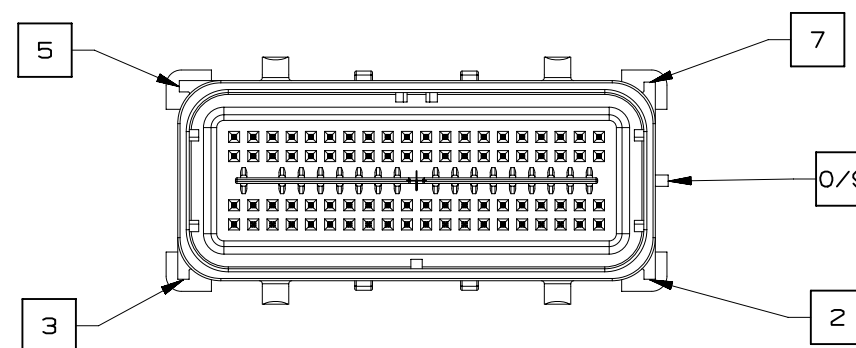
SECTION C - C
73 CKT HARNESS CONNECTOR ASSEMBLY
KEY OPTION B SHOWN



SECTION C - C
80 CKT HARNESS CONNECTOR ASSEMBLY
KEY OPTION K SHOWN



SECTION D - D
73 CKT HARNESS CONNECTOR ASSEMBLY
KEY OPTION B SHOWN



SECTION D - D
80 CKT HARNESS CONNECTOR ASSEMBLY
KEY OPTION K SHOWN

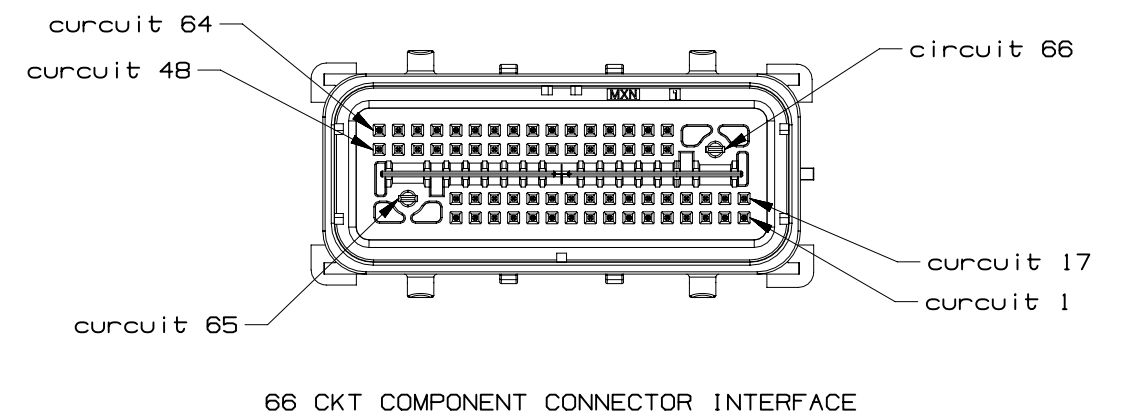
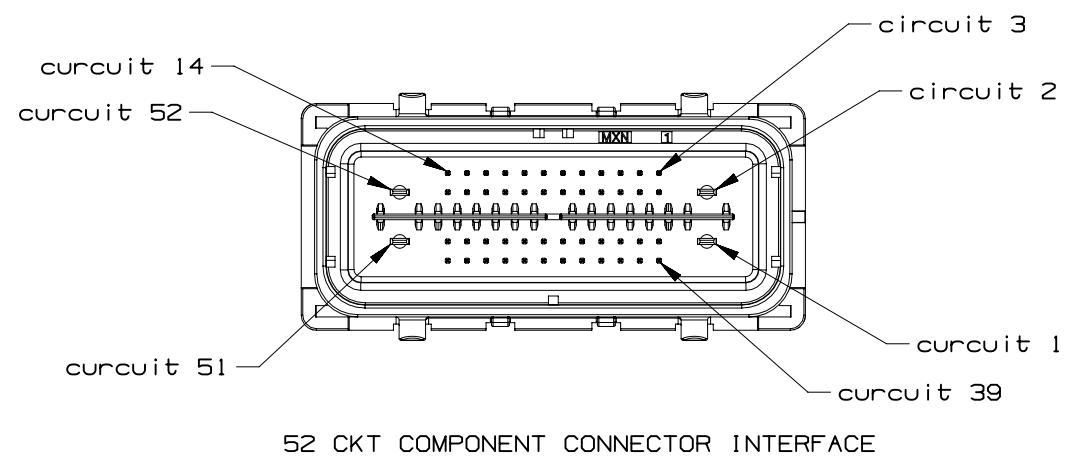
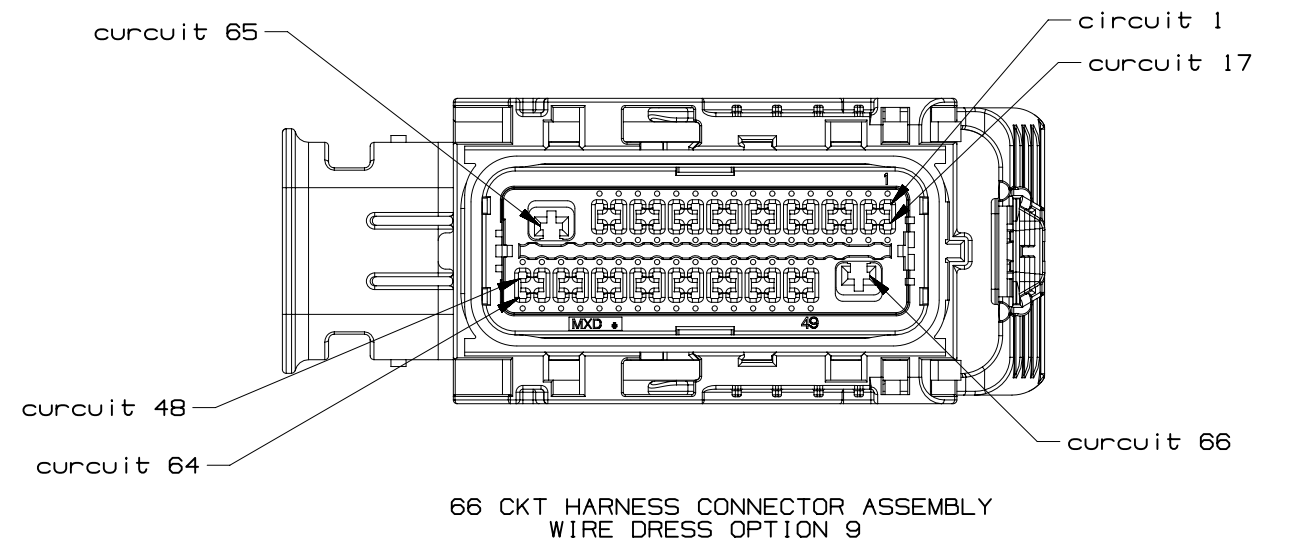
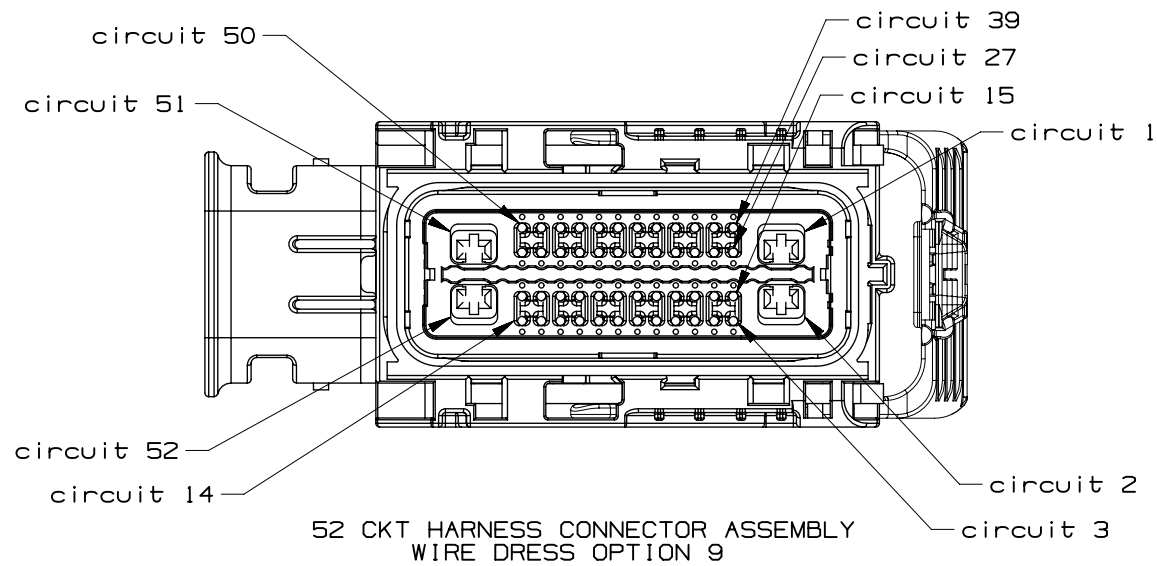
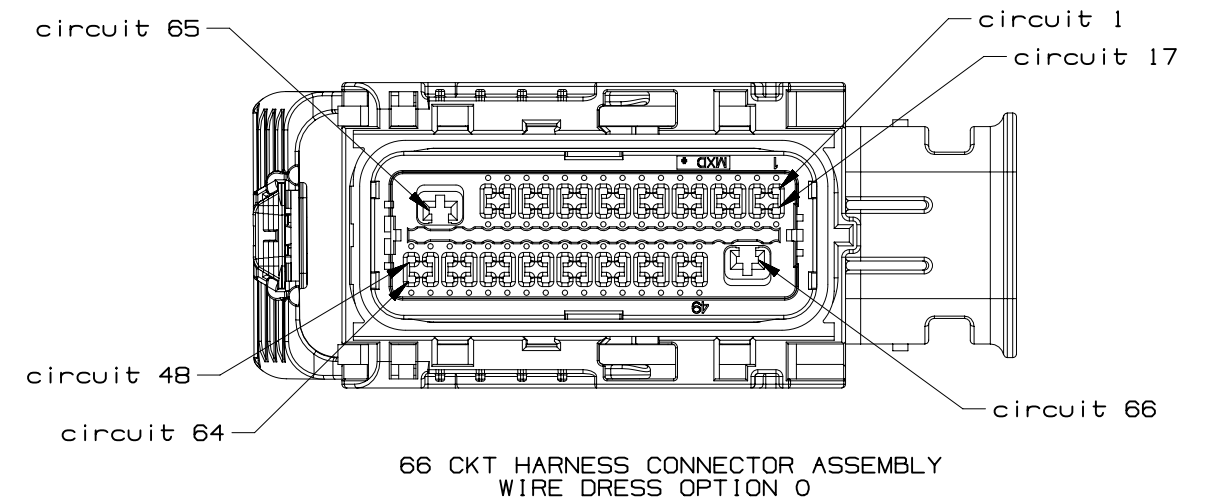
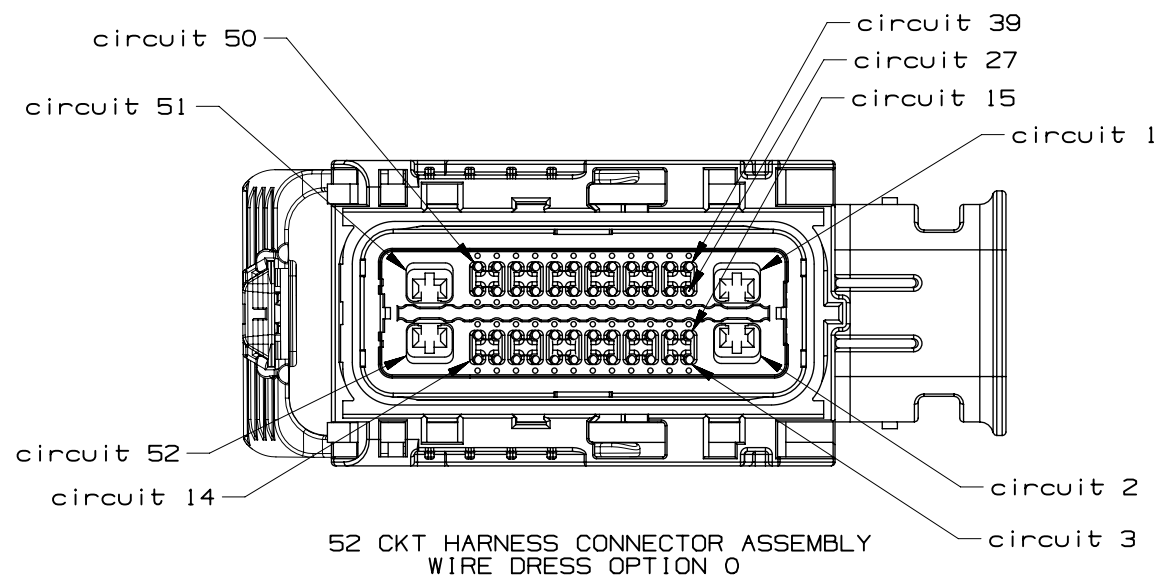


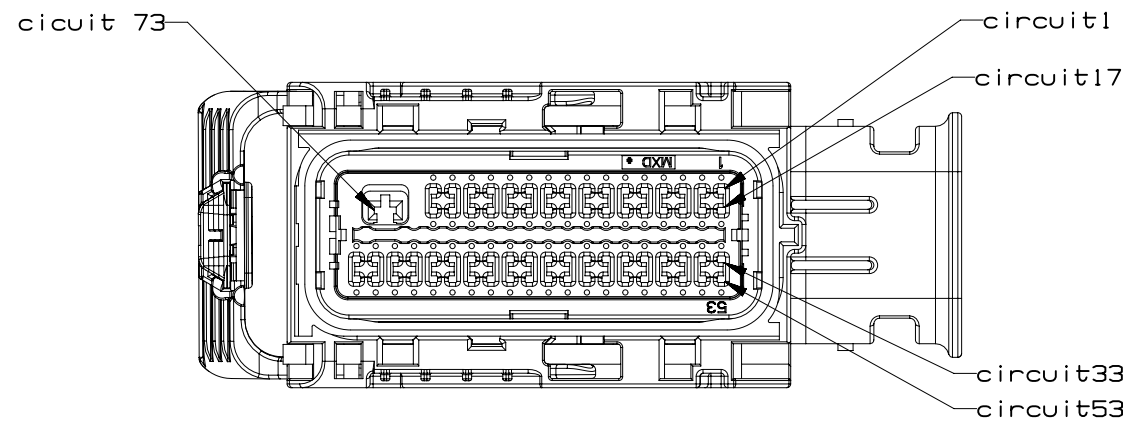
PAGE TITLE
KEY ID REF - WIRE DRESS OPTION 9

DRAWING NUMBER
12672833

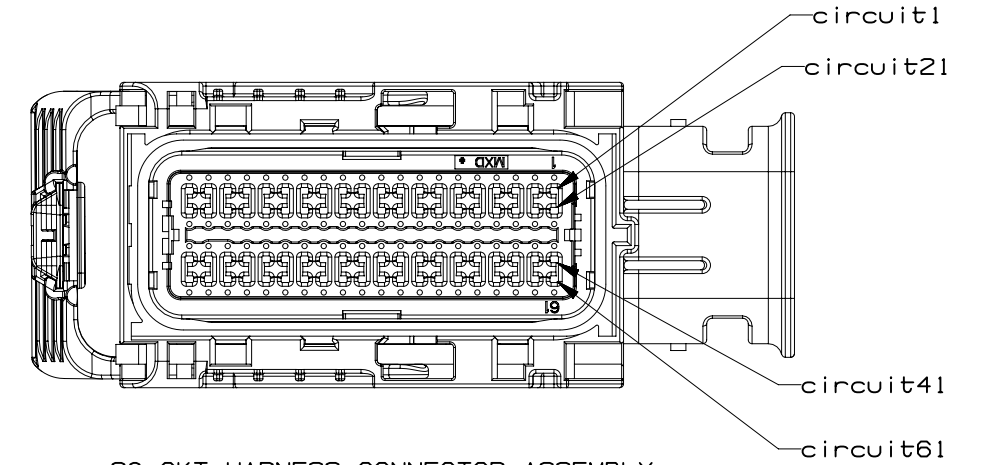
DWG STATUS		
ST	REV	PD1
R	001	

PAGE NUMBER
12 OF 22



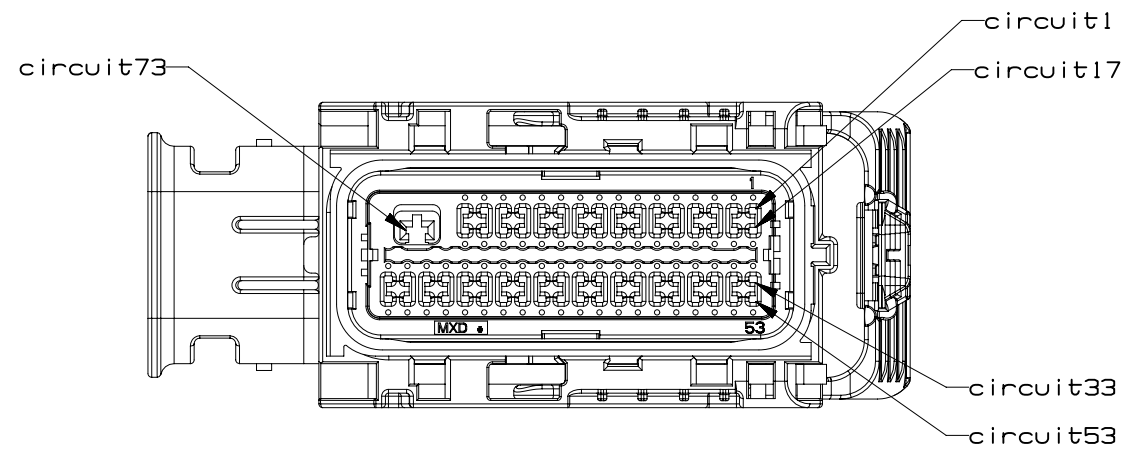


73 CKT HARNESS CONNECTOR ASSEMBLY
WIRE DRESS OPTION 0

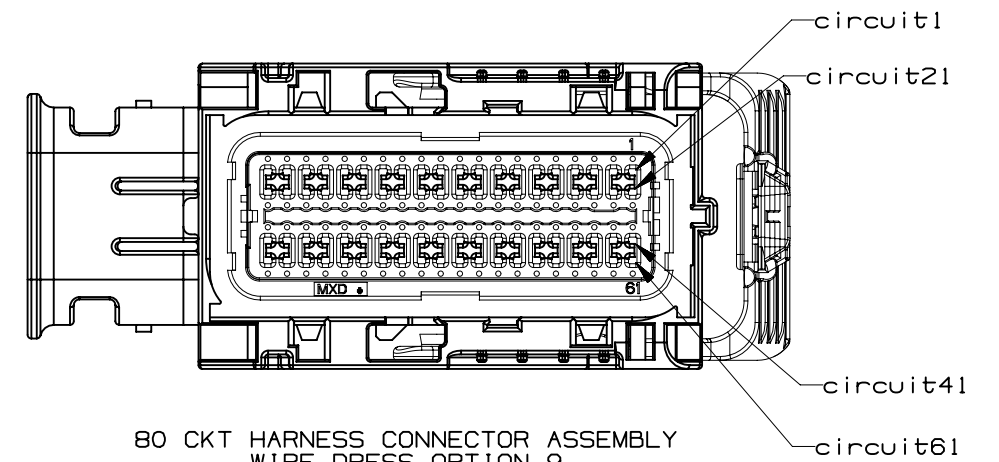


80 CKT HARNESS CONNECTOR ASSEMBLY
WIRE DRESS OPTION 0

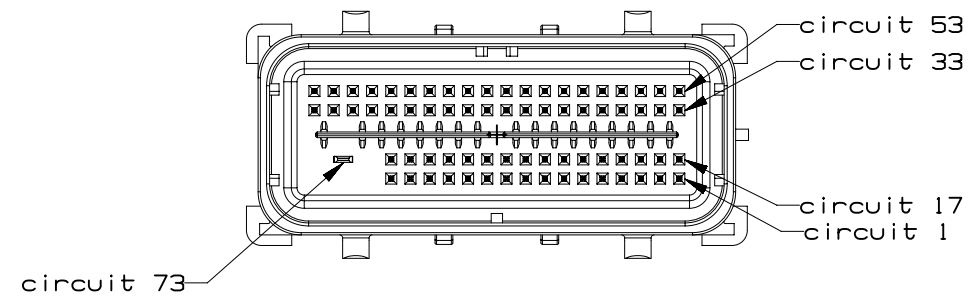
INTERFACE SIDE SHOWN ON ALL VIEWS



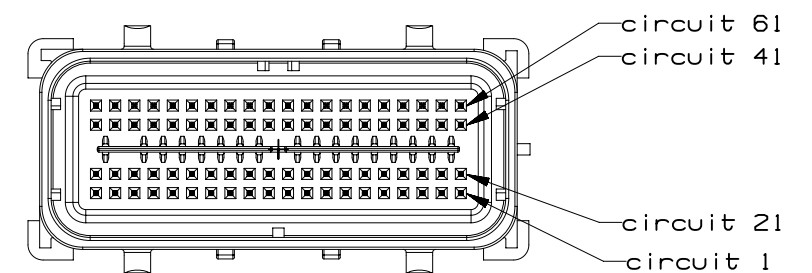
73 CKT HARNESS CONNECTOR ASSEMBLY
WIRE DRESS OPTION 9



80 CKT HARNESS CONNECTOR ASSEMBLY
WIRE DRESS OPTION 9

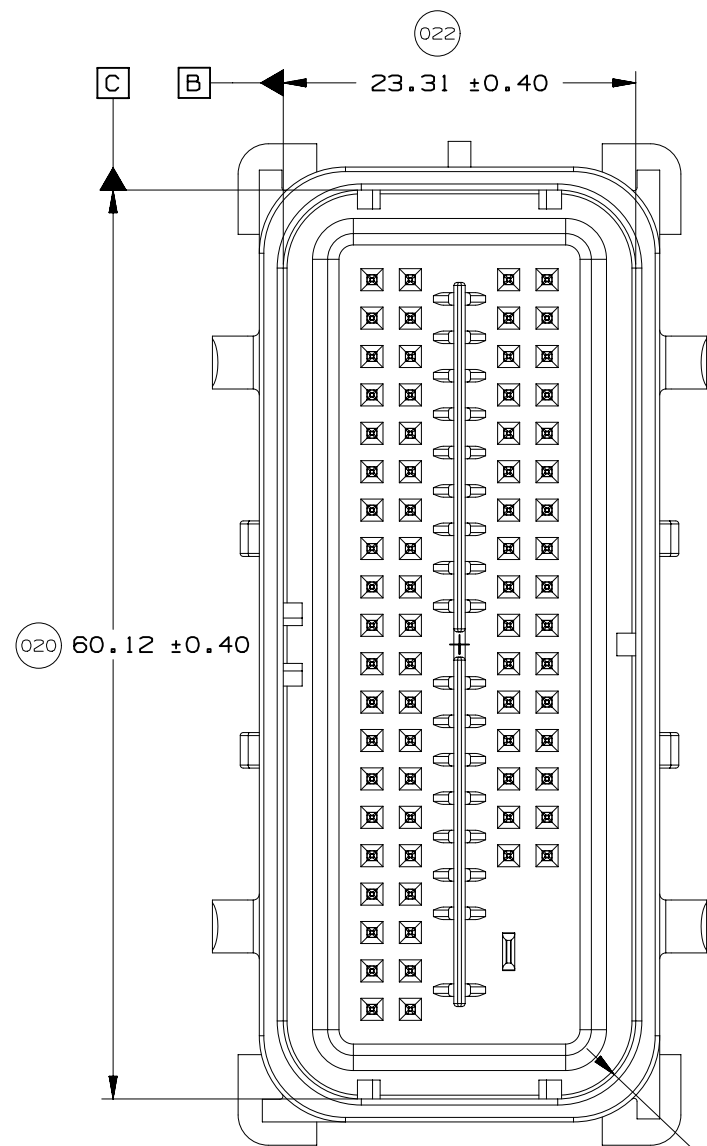
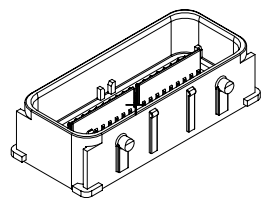


73 CKT COMPONENT CONNECTOR INTERFACE

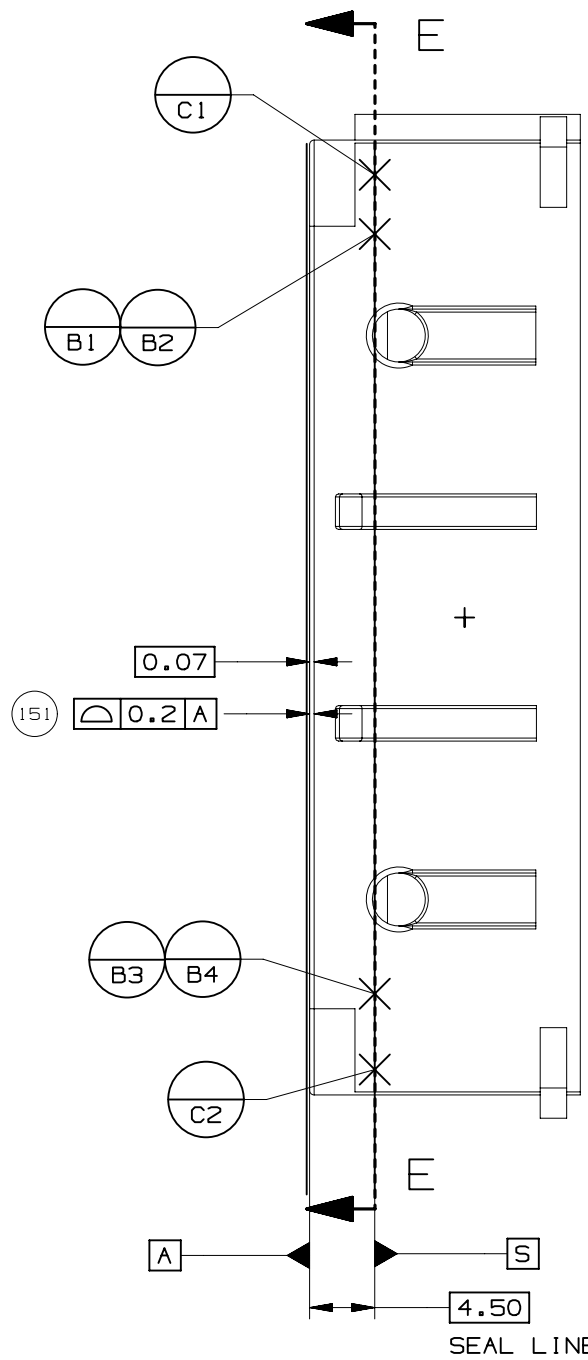


80 CKT COMPONENT CONNECTOR INTERFACE

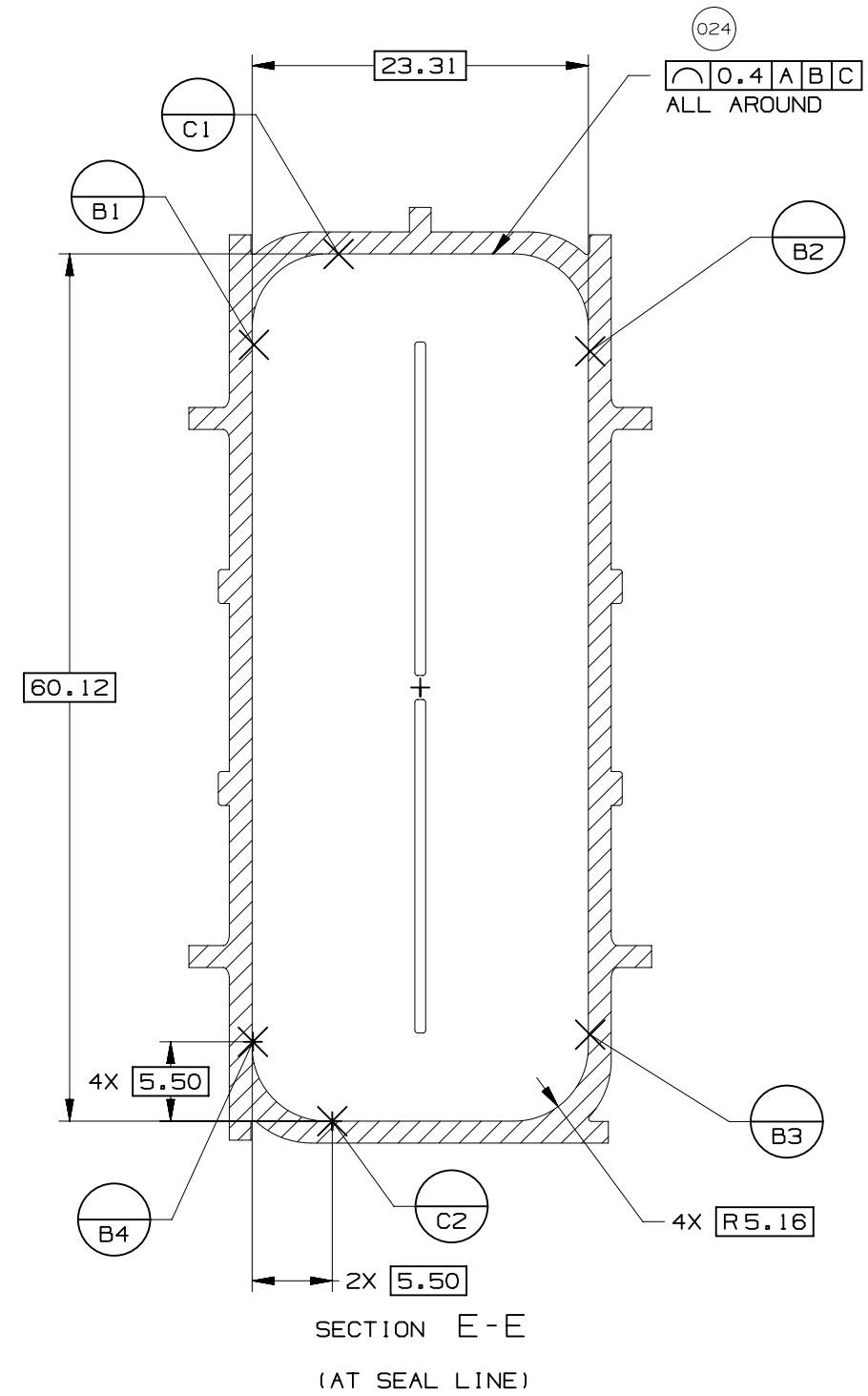




4X R5.16 ± 0.30



SEAL LINE



SECTION E-E
(AT SEAL LINE)

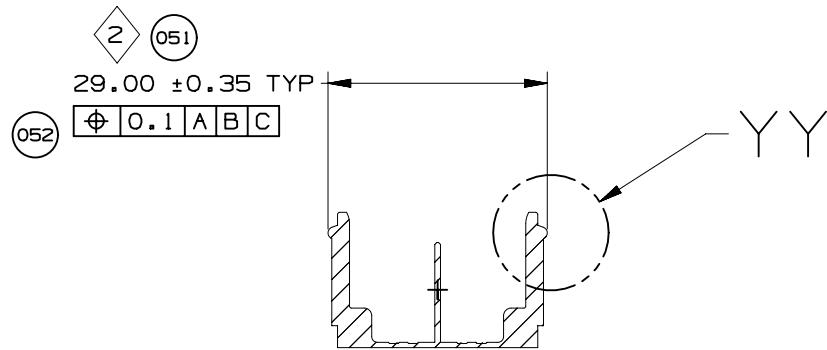
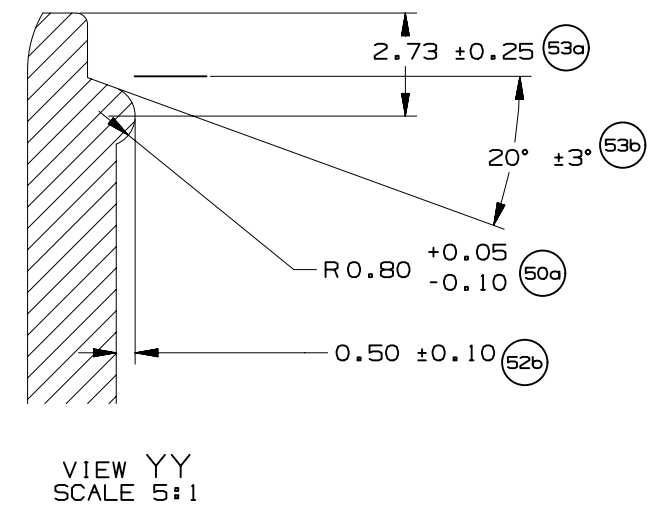
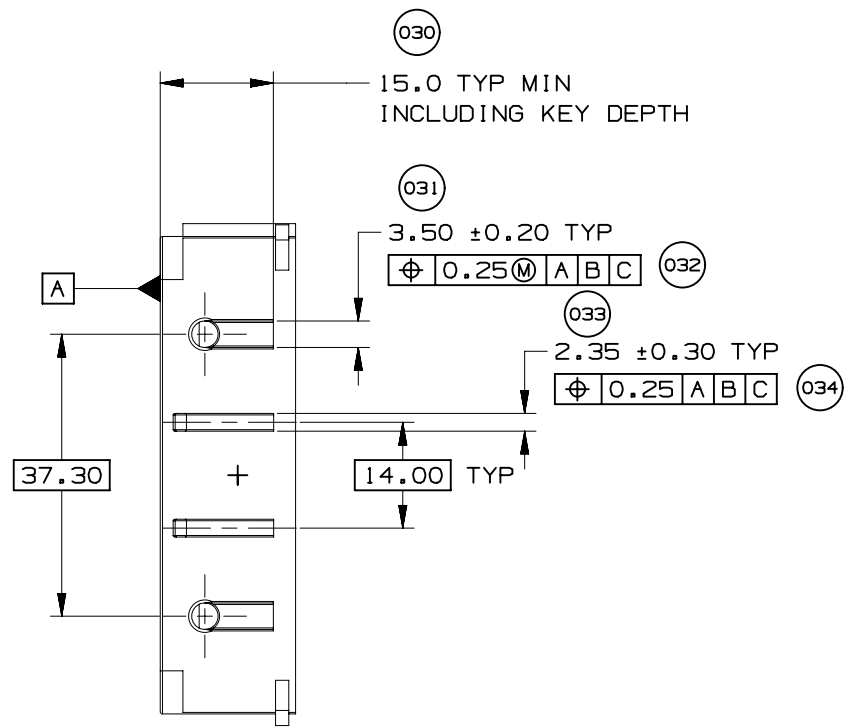
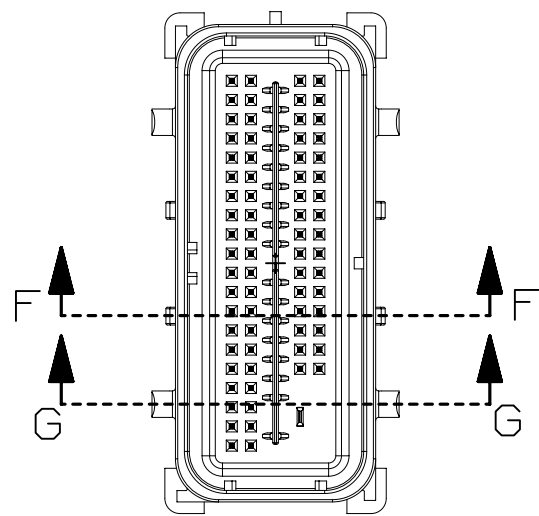
UNLESS SPECIFIED, TOLERANCE OF THE COMPONENT CONNECTOR INTERFACE TO BE $\sqrt[0.13]{A B C}$



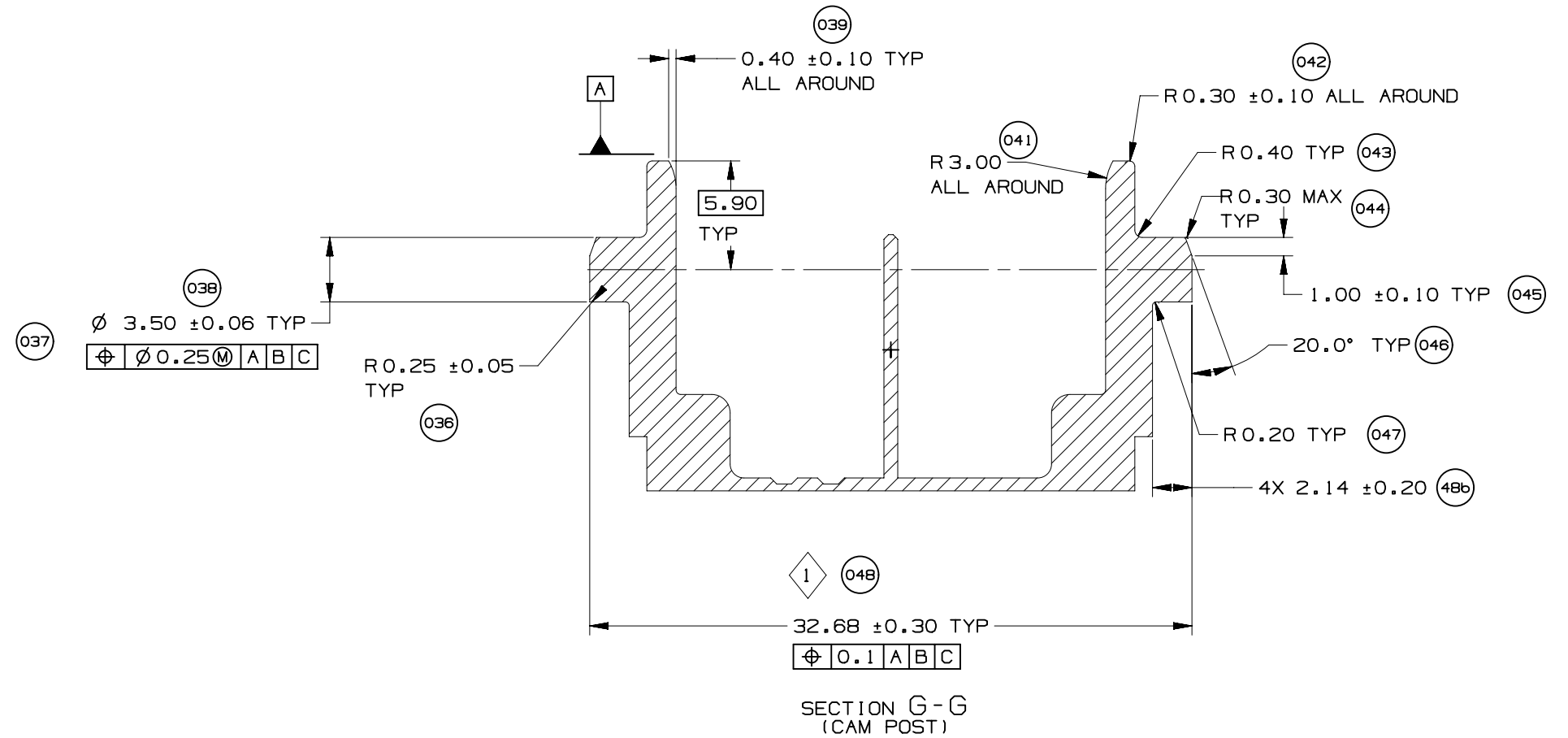
PAGE TITLE
COMPONENT CONNECTOR INTERFACE

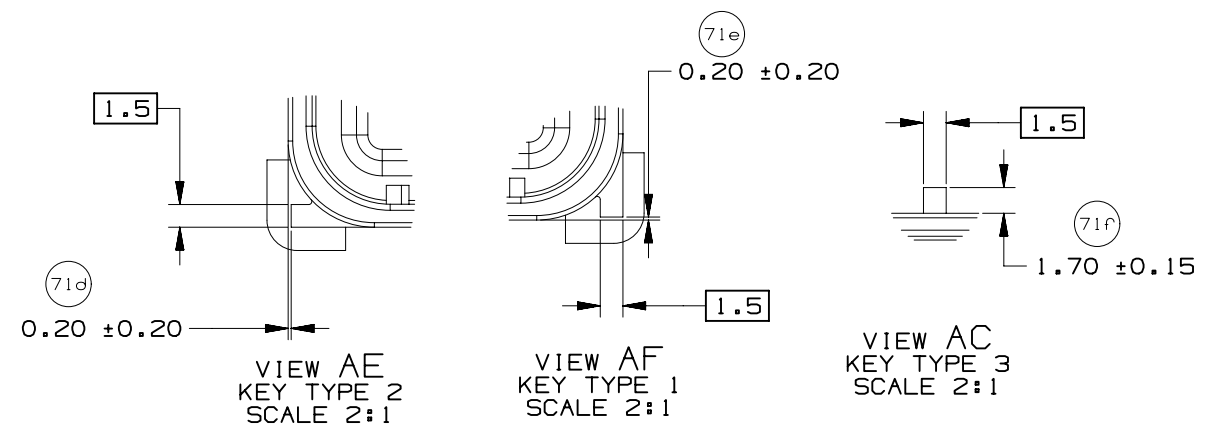
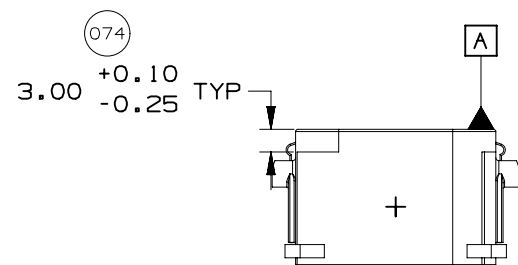
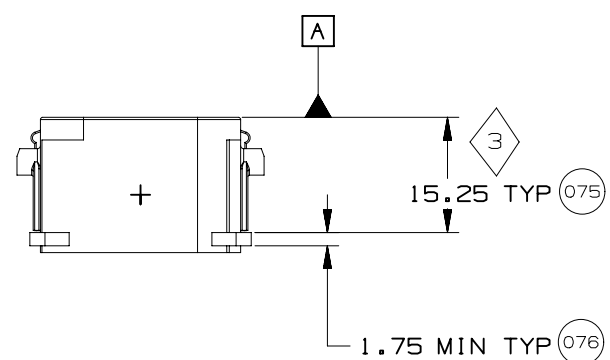
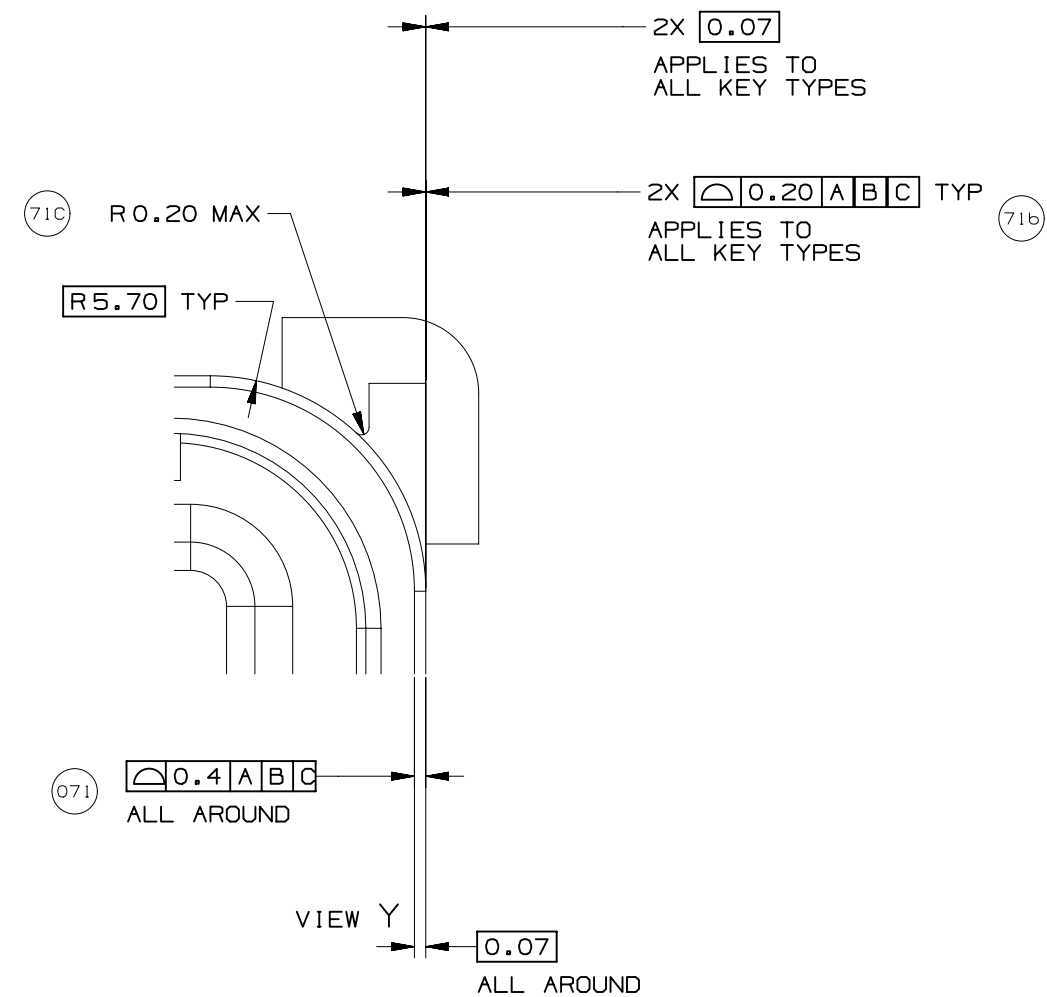
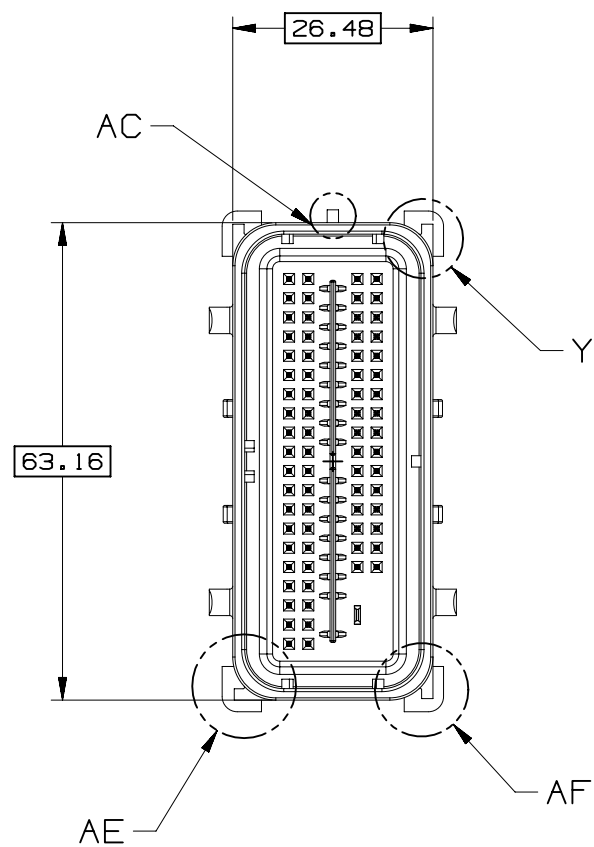
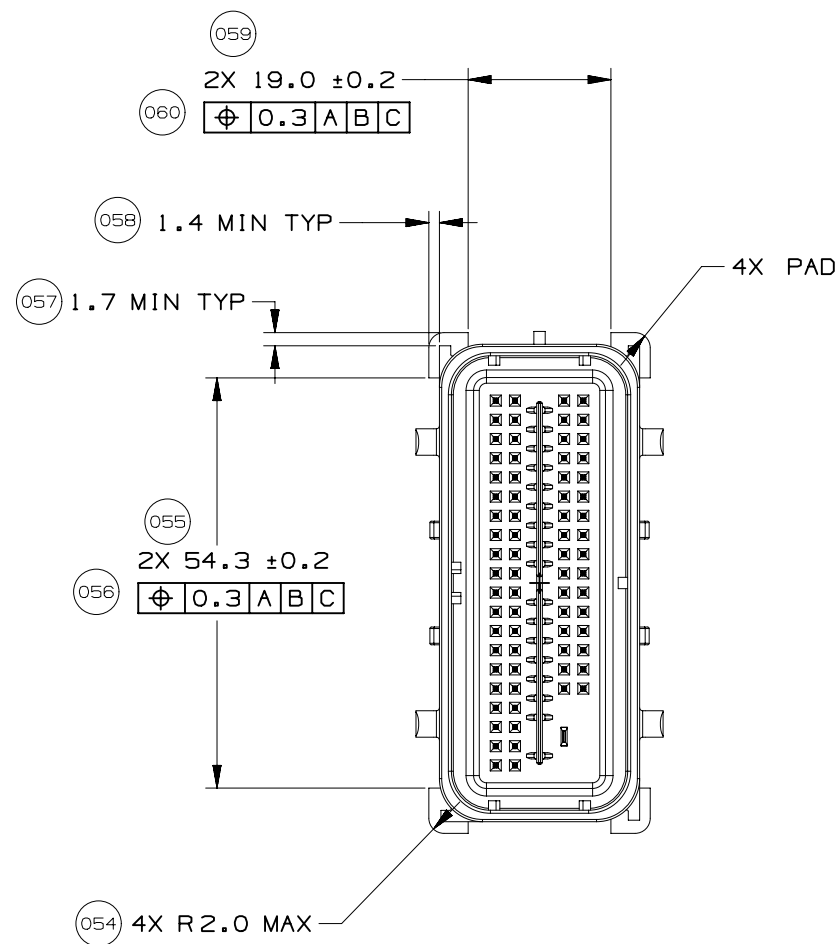
DRAWING NUMBER
12672833

DWG STATUS			PAGE NUMBER
ST	REV	PD1	
R	001		15 OF 22



SECTION F-F
(RELEASE FEATURE)

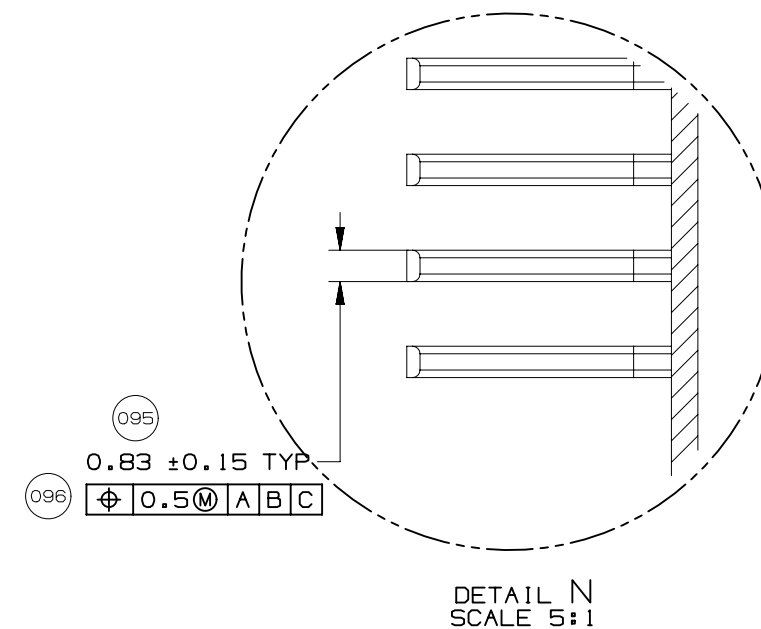
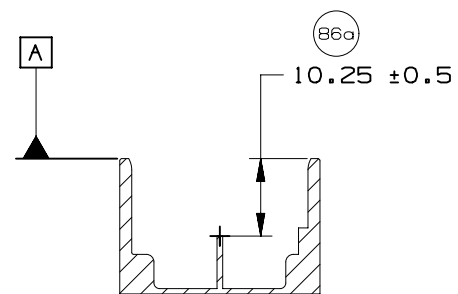
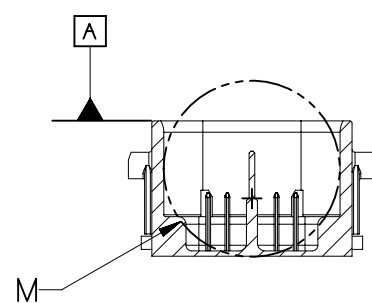
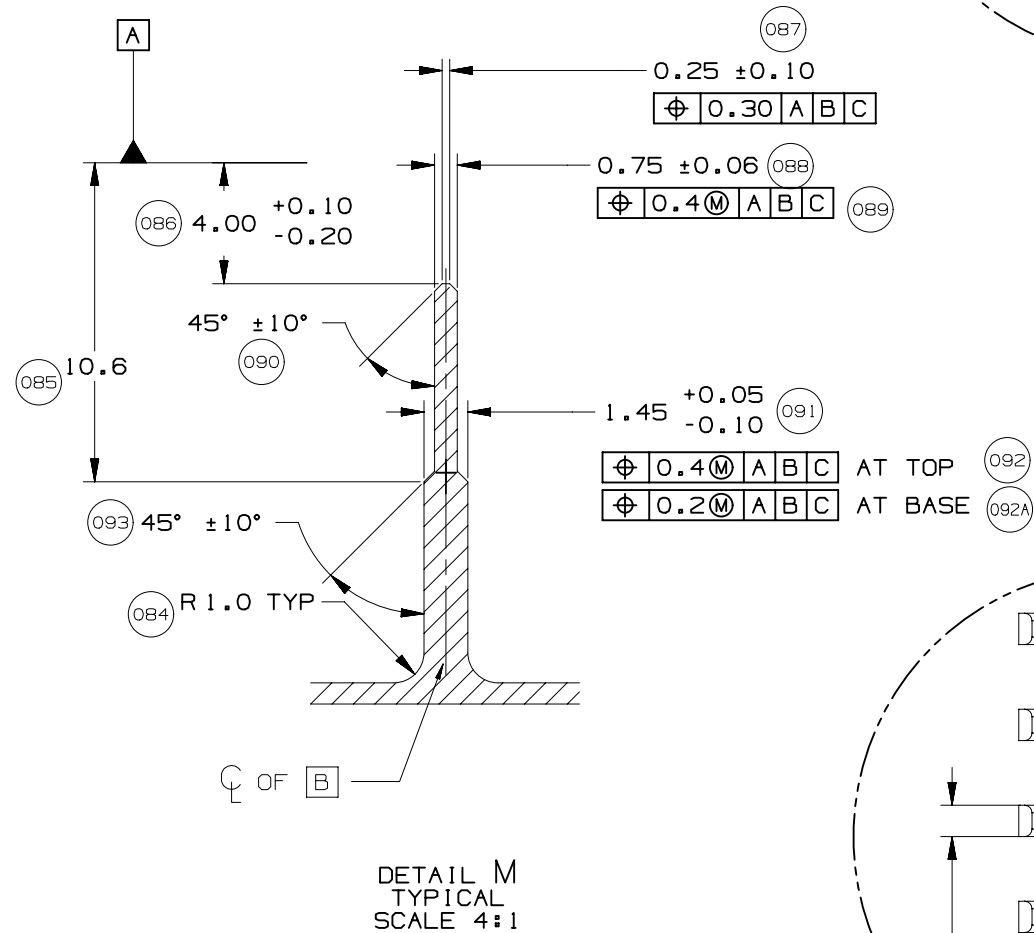
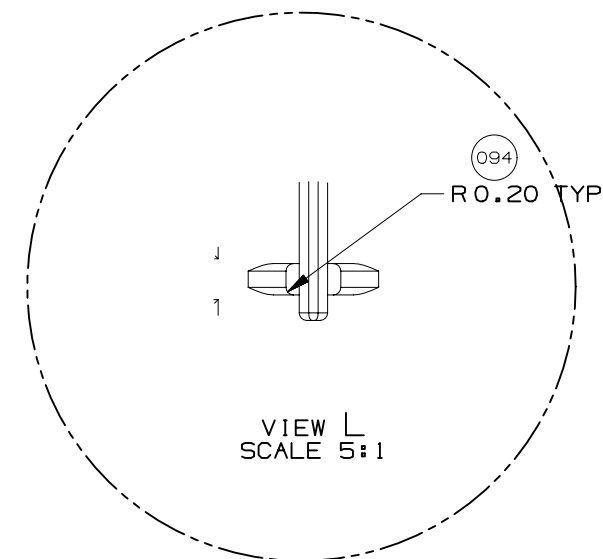
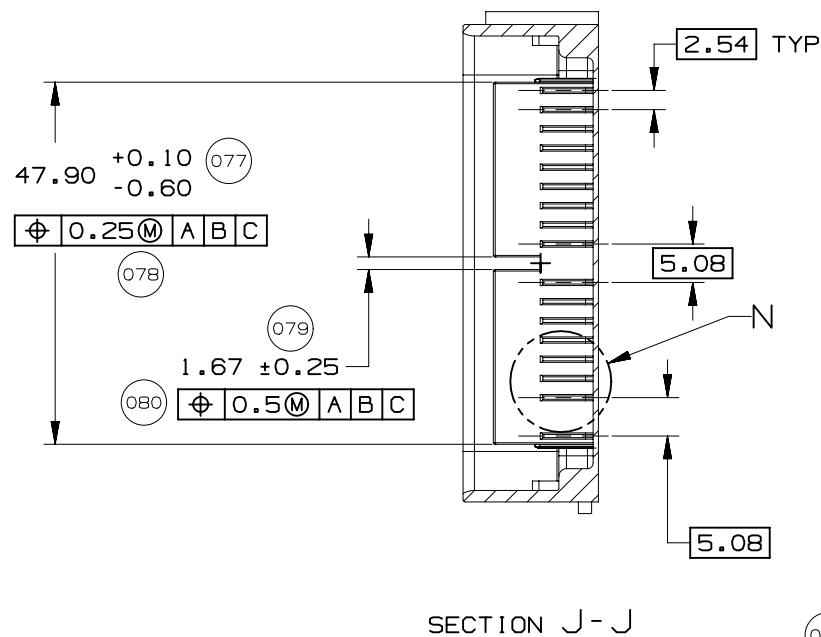
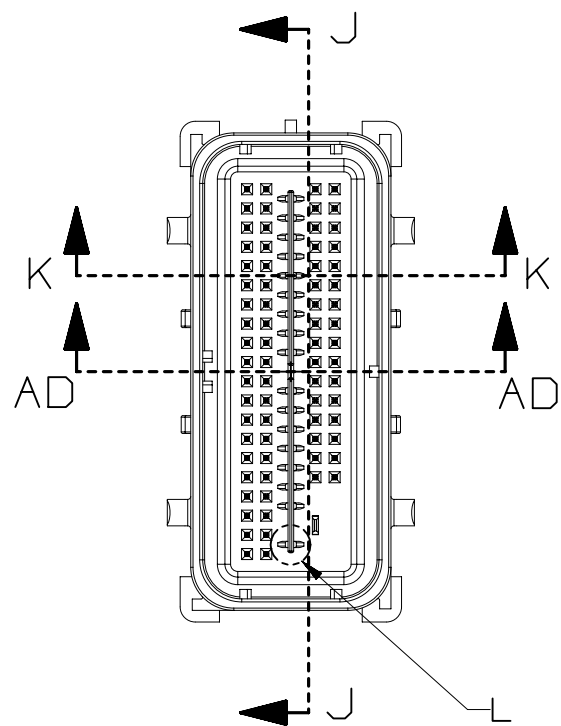


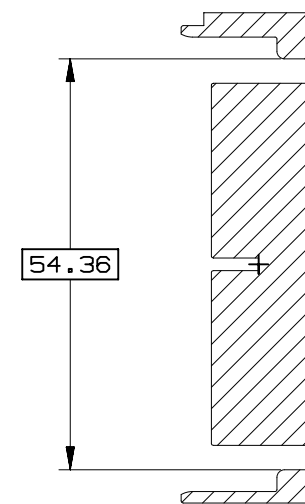
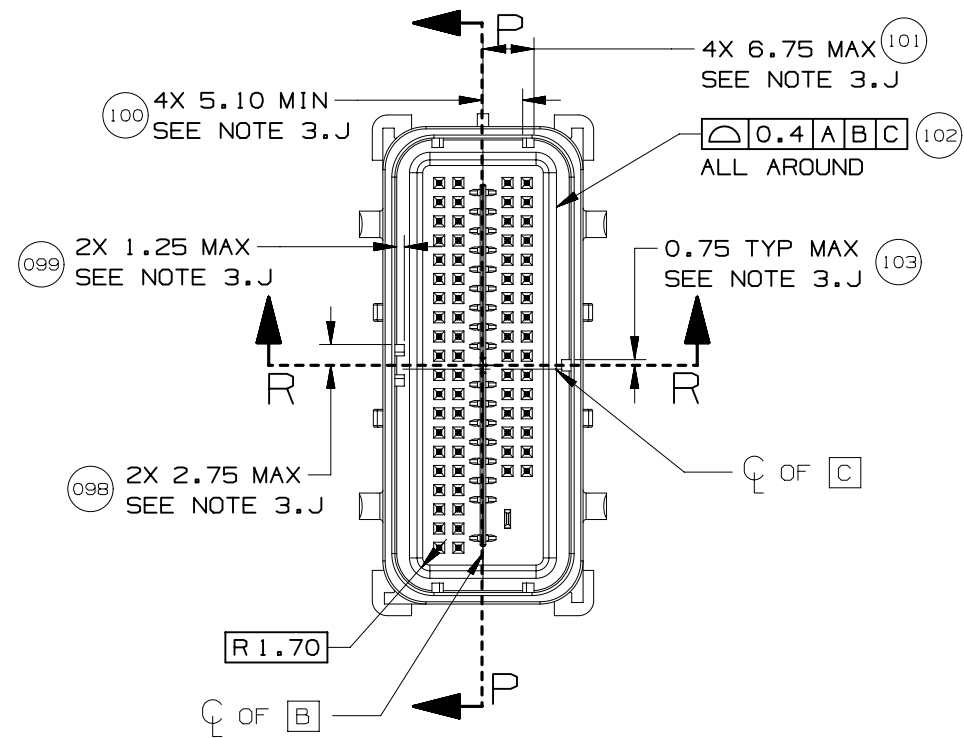


PAGE TITLE
 COMPONENT CONNECTOR INTERFACE

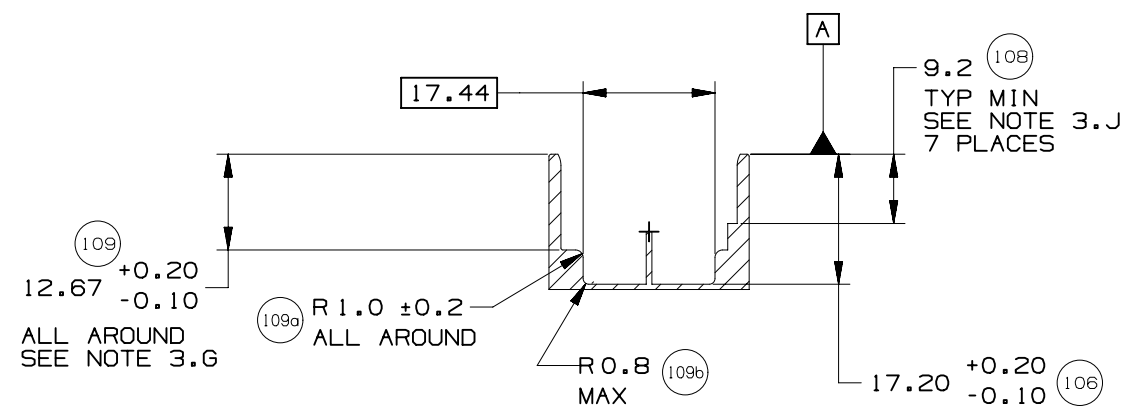
DRAWING NUMBER
 12672833

DWG STATUS			PAGE NUMBER
ST	REV	PD1	
R	001		17 OF 22





SECTION P-P



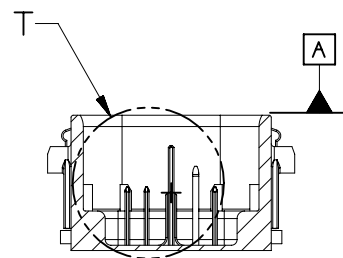
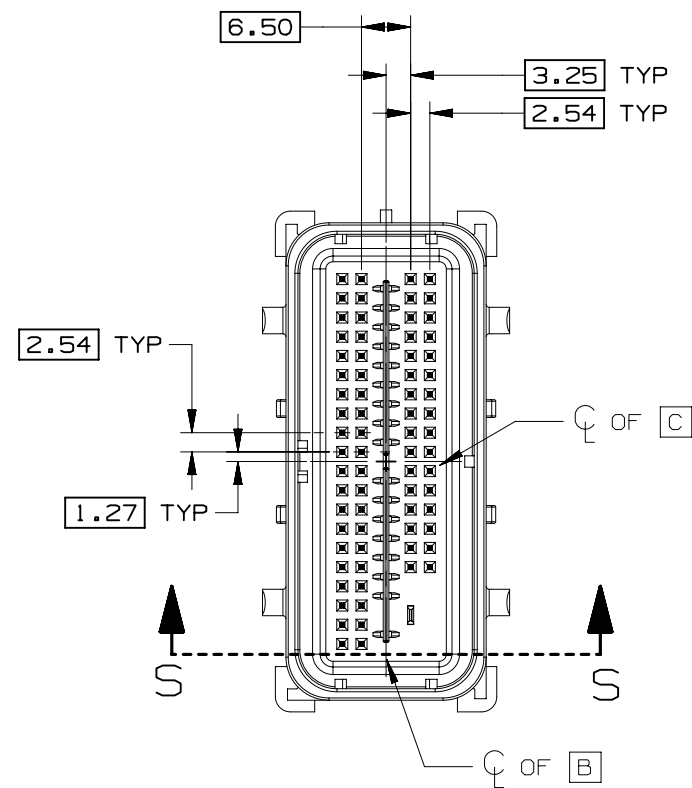
SECTION R-R



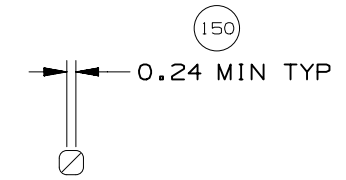
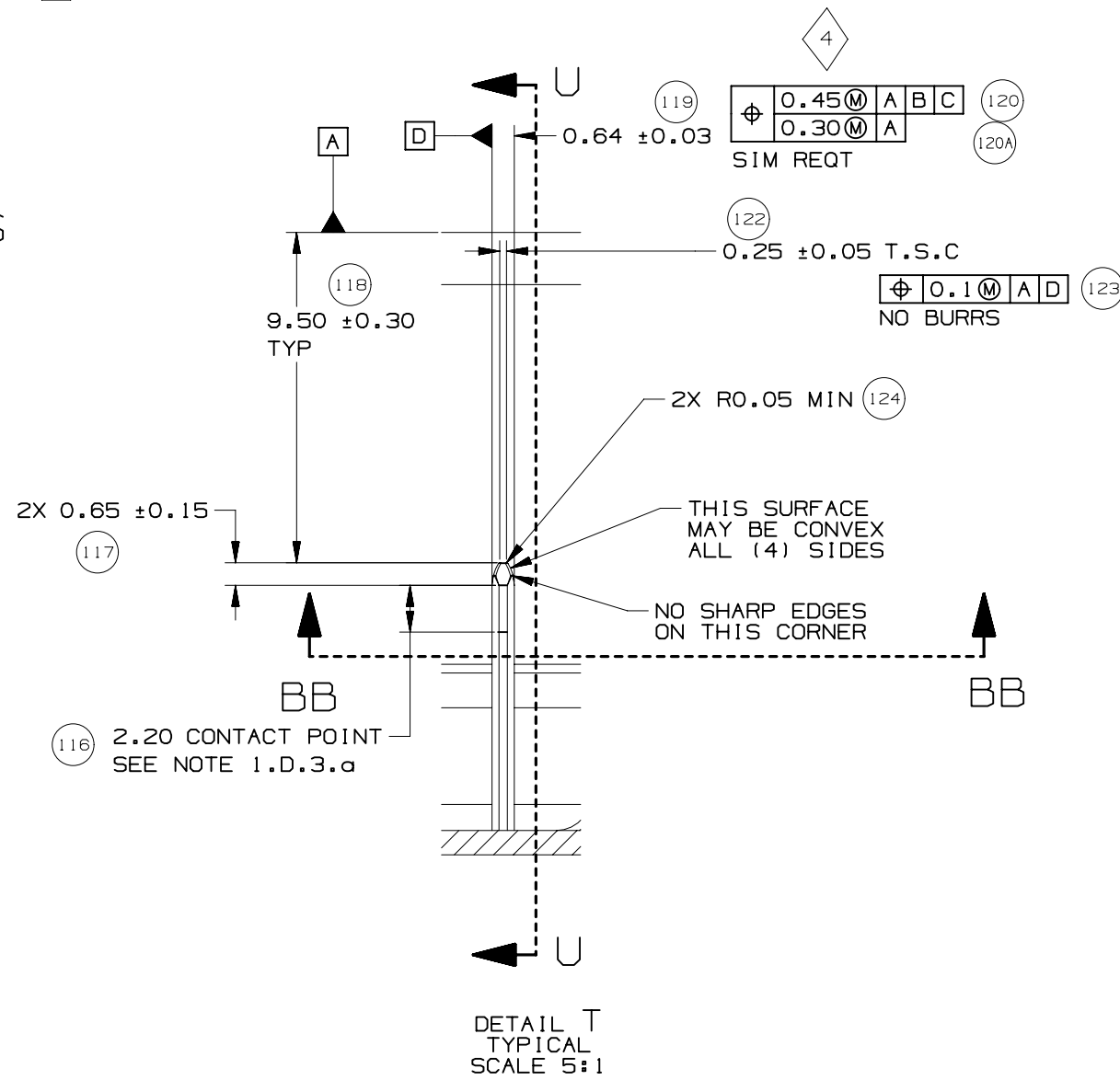
PAGE TITLE
COMPONENT CONNECTOR INTERFACE

DRAWING NUMBER
12672833

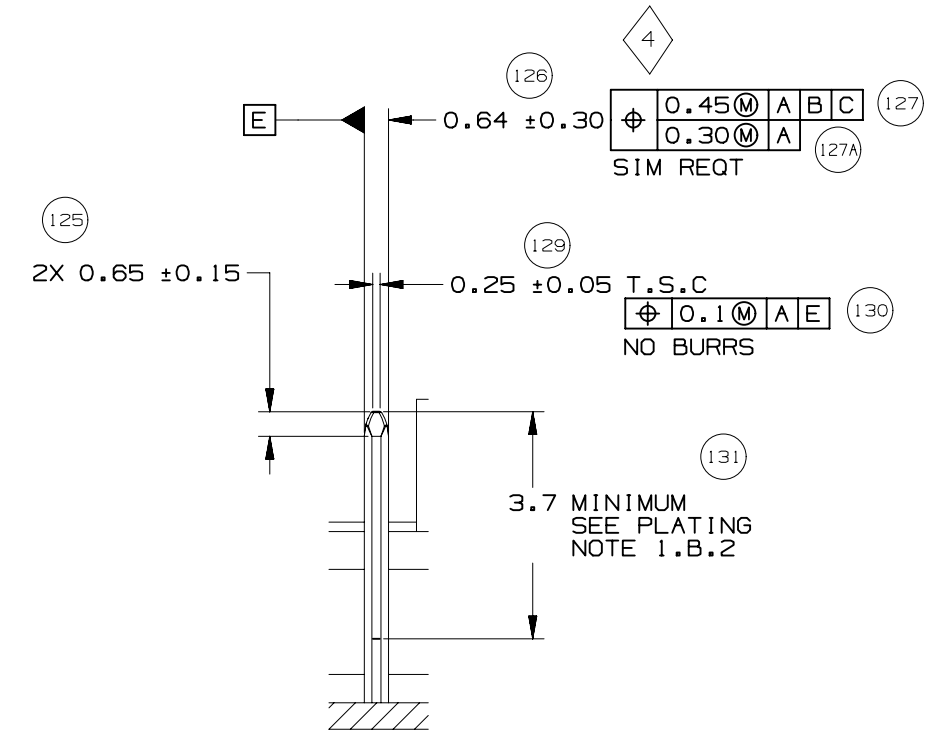
DWG STATUS			PAGE NUMBER	
ST	REV	PD1	19	OF 22
R	001			



SECTION S-S

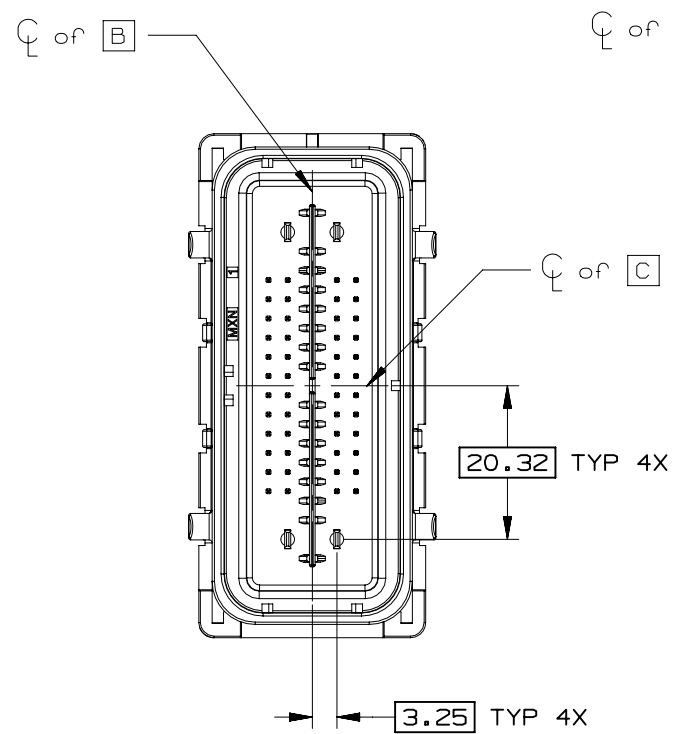


SECTION BB-BB

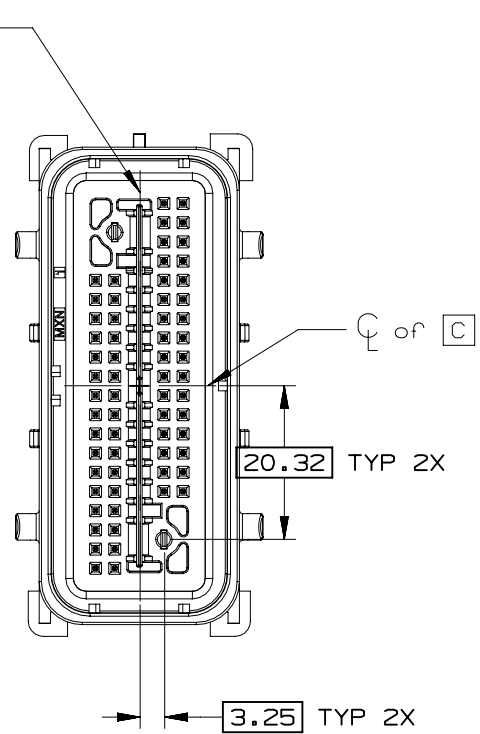


SECTION U-U
TYPICAL

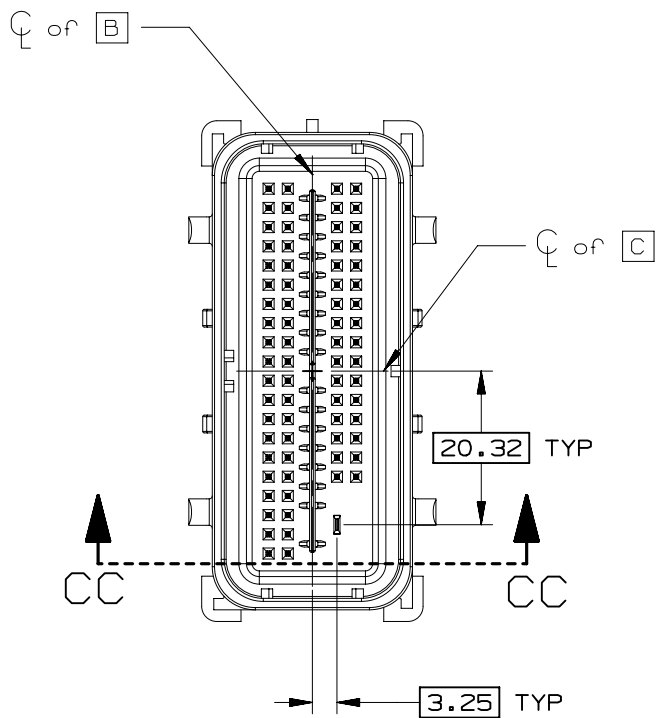




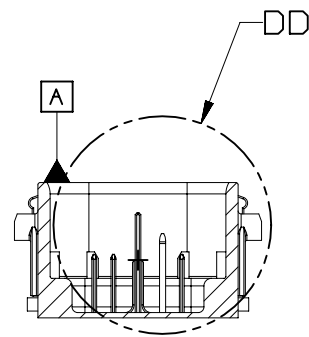
52 CKT COMPONENT
CONNECTOR INTERFACE



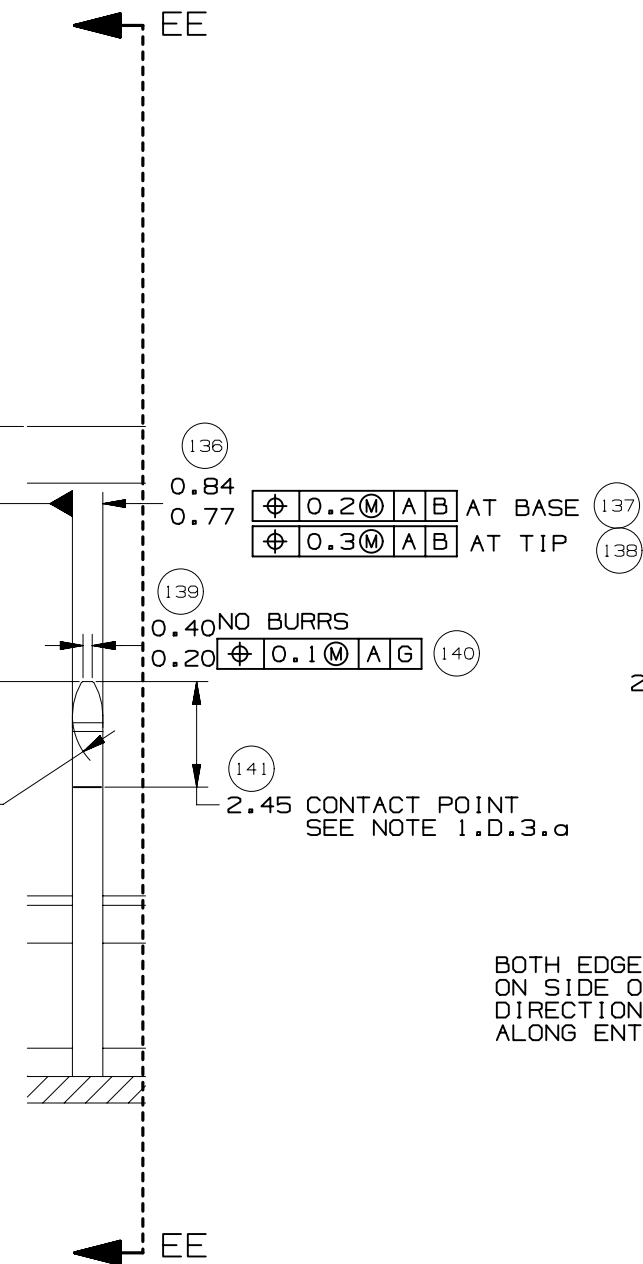
66 CKT COMPONENT
CONNECTOR INTERFACE



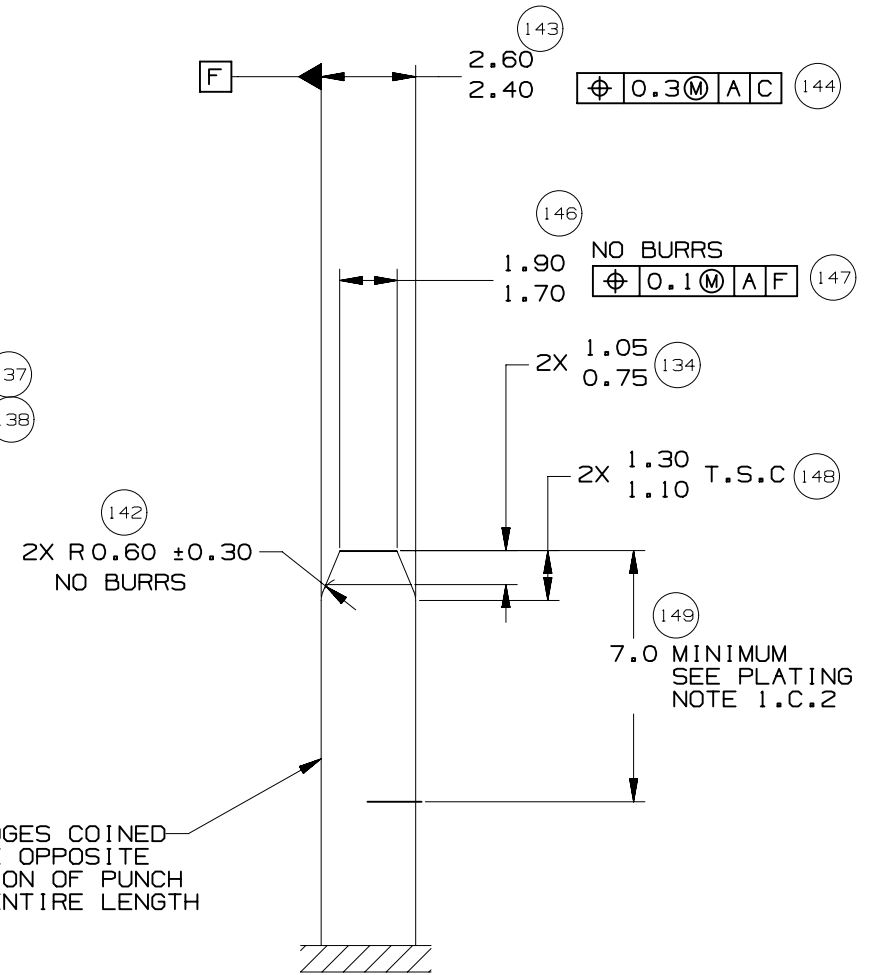
73 CKT COMPONENT
CONNECTOR INTERFACE



SECTION CC-CC



DETAIL DD
TYPICAL
SCALE 5:1



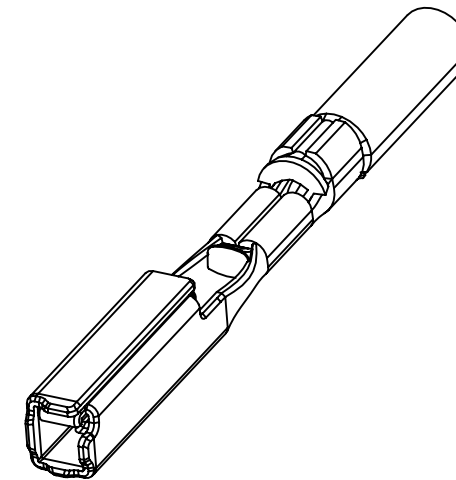
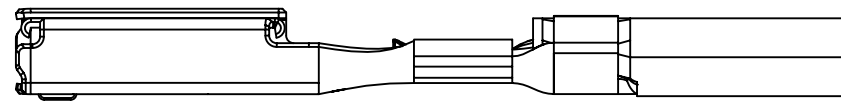
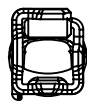
SECTION EE-EE
TYPICAL

BOTH EDGES COINED
ON SIDE OPPOSITE
DIRECTION OF PUNCH
ALONG ENTIRE LENGTH



MOLEX MX64 RECEPTACLE TERMINAL INFORMATION

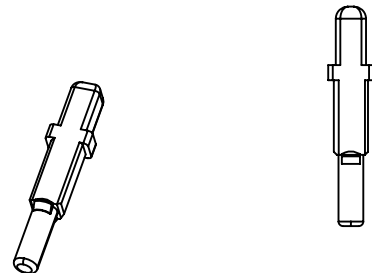
ITEM	MOLEX P/N	GM P/N	WIRE SIZE MM2	TYPE	PLATING	REEL WIND DIRECTION	COMMENTS
1	34736-0025		0.35	ISO	SILVER	LEFT	
2	34736-0026	12672850	0.35	ISO	SILVER	RIGHT	
3	34736-0027		0.5 / 0.75	ISO	SILVER	LEFT	
4	34736-0028	12672851	0.5 / 0.75	ISO	SILVER	RIGHT	



CAVITY PLUGS

ITEM	MFG	MFG P/N	GM P/N RD	SIZE	COLOR	MFG DRAWING	PROD SPEC	APP SPEC	COMMENTS
1	MOLEX	34586-0001	12674820	0.64	NATURAL	SD-34586-001	PS-34566-0000	AS-34566-001	
2	YAZAKI	7158-3114-90	12674821	2.8	BLUE	7158-3114-90	YPES-11-04-062	YPES-15-299	

ITEM 1



ITEM 2



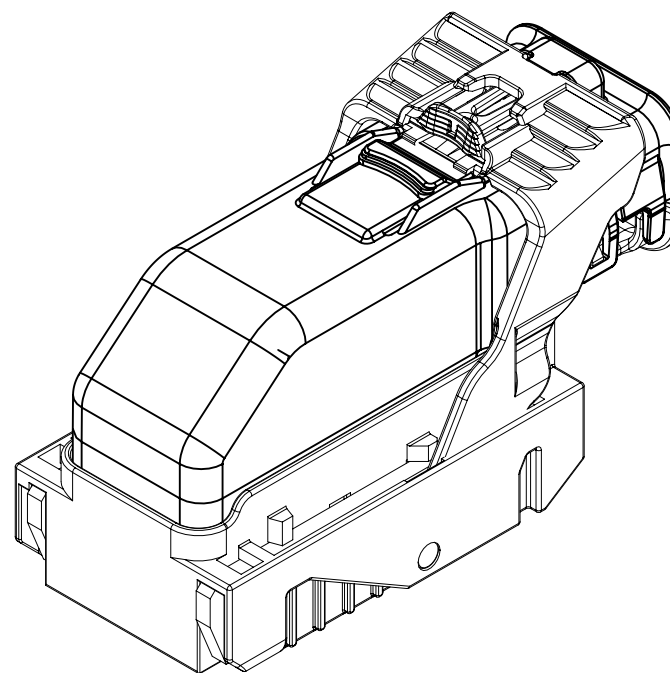
PAGE TITLE
ADDITIONAL COMPONENTS REQUIRED

DRAWING NUMBER
12672833


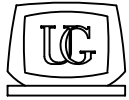
DWG STATUS		
ST	REV	PD1
R	001	

PAGE NUMBER
22 OF 22

INDEX	
PAGE TITLE	PAGE
TITLE BLOCK	1
REVISION BLOCK	2
PART BLOCK	3
KPC BLOCK	4
COMPONENT TABLE	5
NOTES	6
NOTES	7
WIRE DRESS PACKAGING DIMENSIONS	8
LOCATION AND PACKAGING DIMENSIONS REFERENCING INTERFACE DATUMS B & C	9
LOCATION AND PACKAGING DIMENSIONS REFERENCING INTERFACE DATUM A	10
KEY ID REF - WIRE DRESS OPTION 0	11
KEY ID REF - WIRE DRESS OPTION 9	12
CIRCUIT CONFIGURATIONS	13
CIRCUIT CONFIGURATIONS	14
COMPONENT CONNECTOR INTERFACE	15
COMPONENT CONNECTOR INTERFACE	16
COMPONENT CONNECTOR INTERFACE	17
COMPONENT CONNECTOR INTERFACE	18
COMPONENT CONNECTOR INTERFACE	19
COMPONENT CONNECTOR INTERFACE	20
COMPONENT CONNECTOR INTERFACE	21
ADDITIONAL COMPONENTS REQUIRED	22




ISO VIEW

	<p>UNLESS OTHERWISE SPECIFIED: THIS DOCUMENT IS IN ACCORDANCE WITH ASME Y14.5M-1994 AS AMMENDED BY THE GM GLOBAL DIMENSIONING AND TOLERANCING ADDENDUM-1997. ALL GEOMETRIC TOLERANCES AND RELATED DATUMS APPLY RFS. RULE #1 (PERFECT FORM AT MMC) DOES NOT APPLY WHEN A RELATIONSHIP BETWEEN FEATURES IS ESTABLISHED BY ORIENTATION OR LOCATION TOLERANCES. SEPARATE POSITION CALLOUTS MAY BE GAGED SEPARATELY REGARDLESS OF DATUM REFERENCES.</p>			DATE
	 CHANGE RESTRICTED NO MANUAL CHANGES	REFERENCE 12H (MOLEX AUTOMOTIVE)	DRAFTER APVD1	05JN15
DO NOT SCALE		APVD2		
METRIC DIMENSIONS SHOWN IN MILLIMETERS UNLESS OTHERWISE SPECIFIED	DRAWING NAME	APVD3		
	HARNESS CONN ASM-SEALED 52/66/73/80 CKTS, MX123	APVD4		
		APVD5		
	DRAWING NUMBER	DWG STATUS		
	12672833	ST	REV	
		R	001	
		PAGE NUMBER		
		1	OF 22	

PAGE	DWG STATUS					REVISION HISTORY	AUTH	DR	CK	ENG
	DATE	ST	REV	CHG	PDI					
	05JN15	R	001			RELEASED TO PRODUCTION AT DLS A	CRMRJE	DFK		

PAGE	DWG STATUS					REVISION HISTORY	AUTH	DR	CK	ENG
	DATE	ST	REV	CHG	PDI					

	PAGE TITLE	DRAWING NUMBER	DWG STATUS			PAGE NUMBER	
	REVISION BLOCK		12672833	ST	REV	PDI	2 OF 22
				R	001		

KEY PRODUCT CHARACTERISTICS
(IN ACCORDANCE WITH QN 1805 OR ON 1050)



SAFETY/COMPLIANCE

TOTAL ON
DRAWING

4



FIT/FUNCTION

LAST NO.
USED

4

NO	TYPE	DESCRIPTION	RATIONALE	PAGE/ZONE
1	F/F	32.68	IMPROVE CONNECTOR SYSTEM MATING	16
2	F/F	29.00	INSURE PROPER RELEASE OF LEVER	16
3	F/F	15.25	INSURE FINAL MATE POSITION	17
4	F/F	POSITIONAL TOLERANCE (2 PLACES)	INSURE CONNECTOR SYSTEM MATEABILITY	20



PAGE TITLE
KPC BLOCK

DRAWING NUMBER

12672833

DWG STATUS

ST	REV	PDI
----	-----	-----

R	001	
---	-----	--

PAGE NUMBER

4 OF 22

LINE	MFG.	MFG. P/N	GM P/N	EFFECTIVE DATE	APPLICABLE COMPONENTS	KEY OPTION	WIRE DRESS OPTION	KEY CONFIG.	COLOR	STATUS
					DESCRIPTION					
-										
1	MOLEX	34565-0003	12582676	02JN03	MX123 DRESS COVER 52/66/73/80 CKT	N/A	N/A	N/A	BLACK	AVAILABLE
2	MOLEX	160094-0001	12672852	01SP13	MX123 HRNS CONN ASSY 52 CKT	A	0	1458	BLACK	AVAILABLE
3	MOLEX	160094-0003	12672854	01SP13	MX123 HRNS CONN ASSY 52 CKT	C	0	2467	BLUE	AVAILABLE
4	MOLEX	160094-0013	12672853	01SP13	MX123 HRNS CONN ASSY 52 CKT	A	9	1458	BLACK	AVAILABLE
5	MOLEX	160094-0015	12672855	01SP13	MX123 HRNS CONN ASSY 52 CKT	C	9	2467	BLUE	AVAILABLE
6	MOLEX	34822-0013	12672856	01SP13	MX123 HRNS CONN ASSY 66 CKT	A	0	1458	BLACK	AVAILABLE
7	MOLEX	34822-0033	12672858	01SP13	MX123 HRNS CONN ASSY 66 CKT	C	0	2467	BLUE	AVAILABLE
8	MOLEX	34822-0023	12672857	01SP13	MX123 HRNS CONN ASSY 66 CKT	A	9	1458	BLACK	AVAILABLE
9	MOLEX	34822-0043	12672859	01SP13	MX123 HRNS CONN ASSY 66 CKT	C	9	2467	BLUE	AVAILABLE
10	MOLEX	34566-0103	12672860	11JN04	MX123 HRNS CONN ASSY 73 CKT	A	0	1458	BLACK	AVAILABLE
11	MOLEX	34566-0203	12672862	11JN04	MX123 HRNS CONN ASSY 73 CKT	B	0	1468	ST GRAY	AVAILABLE
12	MOLEX	34566-0303	12672864	09AP08	MX123 HRNS CONN ASSY 73 CKT	C	0	2467	BLUE	AVAILABLE
13	MOLEX	34566-0603	12672866	05DC14	MX123 HRNS CONN ASSY 73 CKT	F	0	1357	NATURAL	AVAILABLE
14	MOLEX	34566-1303	12672861	11JN04	MX123 HRNS CONN ASSY 73 CKT	A	9	1458	BLACK	AVAILABLE
15	MOLEX	34566-1403	12672863	11JN04	MX123 HRNS CONN ASSY 73 CKT	B	9	1468	ST GRAY	AVAILABLE
16	MOLEX	34566-1503	12672865	09AP08	MX123 HRNS CONN ASSY 73 CKT	C	9	2467	BLUE	AVAILABLE
17	MOLEX	34566-1803	12672867	05DC14	MX123 HRNS CONN ASSY 73 CKT	F	9	1357	NATURAL	AVAILABLE
18	MOLEX	34566-0703	12672872	09AP08	MX123 HRNS CONN ASSY 80 CKT	G	0	1358	BLUE	AVAILABLE
19	MOLEX	34566-0803	12672870	11JN04	MX123 HRNS CONN ASSY 80 CKT	H	0	2458	ST GRAY	AVAILABLE
20	MOLEX	34566-0903	12672868	T.B.D	MX123 HRNS CONN ASSY 80 CKT	J	0	2457	BLACK	NOT ACTIVE
21	MOLEX	34566-1903	12672873	09AP08	MX123 HRNS CONN ASSY 80 CKT	G	9	1358	BLUE	AVAILABLE
22	MOLEX	34566-2003	12672871	11JN04	MX123 HRNS CONN ASSY 80 CKT	H	9	2458	ST GRAY	AVAILABLE
23	MOLEX	34566-2103	12672869	T.B.D	MX123 HRNS CONN ASSY 80 CKT	J	9	2457	BLACK	NOT ACTIVE
24	MOLEX	34736-0028	12672851	01AU10	MX64 RCPT TERM Ag 0.5mm/0.75mm ISO GAGE B (RIGHT PAYOFF)	N/A	N/A	N/A	N/A	AVAILABLE
25	MOLEX	34736-0026	12672850	01AU10	MX64 RCPT TERM Ag 0.35mm ISO GAGE B (RIGHT PAYOFF)	N/A	N/A	N/A	N/A	AVAILABLE
26	MOLEX	34586-0001	12674820	11JN04	MX123 0.64mm GROMMET PLUG	N/A	N/A	N/A	NATURAL	AVAILABLE
27	YAZAKI	7116-4150-02	12588066	02JN03	2.8mm YESC SEALED FEMALE TERMINAL TIN 0.35mm2-0.50mm2	N/A	N/A	N/A	N/A	NOT ACTIVE
28	YAZAKI	7116-4151-02	12588067	02JN03	2.8mm YESC SEALED FEMALE TERMINAL TIN 0.75mm2-1.0mm2	N/A	N/A	N/A	N/A	NOT ACTIVE
29	YAZAKI	7116-4152-02	12582685	02JN03	2.8mm YESC SEALED FEMALE TERMINAL TIN 1.5mm2-2.5mm2	N/A	N/A	N/A	N/A	AVAILABLE
30	YAZAKI	7158-3111-60	12588068	02JN03	2.8mm CABLE SEAL (wire O.D. range 1.2mm-1.9mm)	N/A	N/A	N/A	GREEN	NOT ACTIVE
31	YAZAKI	7158-3112-70	12588069	02JN03	2.8mm CABLE SEAL (wire O.D. range 1.8mm-2.3mm)	N/A	N/A	N/A	YELLOW	NOT ACTIVE
32	YAZAKI	7158-3113-40	12582686	02JN03	2.8mm CABLE SEAL (wire O.D. range 2.1mm-3.0mm)	N/A	N/A	N/A	WHITE	AVAILABLE
33	YAZAKI	7158-3114-90	12674821	02JN03	2.8mm YESC CAVITY PLUG	N/A	N/A	N/A	BLUE	AVAILABLE
34	MOLEX	63825-8400	N/A	02JN03	MX64 TERM HAND CRIMP TOOL	N/A	N/A	N/A	N/A	AVAILABLE
35	MOLEX	63813-1400	XX019826	02JN03	MX64 TERM SERVICE TOOL	N/A	N/A	N/A	N/A	AVAILABLE
36	MOLEX	63902-5300	N/A	02JN03	MX64 CRIMP APPLICATOR with TOOL KIT 0.5/0.75mm2 PAYOFF DIRECTION D (left payoff) (contact Molex for payoff detail)	N/A	N/A	N/A	N/A	AVAILABLE
37	MOLEX	63902-5370	N/A	02JN03	MX64 APPLICATOR TOOL KIT 0.5/0.75mm2	N/A	N/A	N/A	N/A	AVAILABLE
38	MOLEX	63902-5100	N/A	02JN03	MX64 CRIMP APPLICATOR with TOOL KIT 0.35mm2 PAYOFF DIRECTION D (left payoff) (contact Molex for payoff detail)	N/A	N/A	N/A	N/A	AVAILABLE
39	MOLEX	63902-5170	N/A	02JN03	MX64 APPLICATOR TOOL KIT 0.35mm2	N/A	N/A	N/A	N/A	AVAILABLE
40	SPX	J35616-64	T.B.D.	02JN03	0.64mm PROBE TOOL (for rcpt)	N/A	N/A	N/A	N/A	AVAILABLE
41	SPX	J35616-64A	T.B.D.	02JN03	0.64mm PROBE TOOL WITH EXT (for rcpt)	N/A	N/A	N/A	N/A	AVAILABLE
42	SPX	J35616-65	T.B.D.	02JN03	0.64mm PROBE TOOL WITH EXT (for pin)	N/A	N/A	N/A	N/A	AVAILABLE
43	SPX	J35616-4A	T.B.D.	02JN03	2.8mm PROBE TOOL (for rcpt)	N/A	N/A	N/A	N/A	AVAILABLE
44	YAZAKI	X39899-J374	12094430	02JN03	2.8mm TERM SERVICE TOOL	N/A	N/A	N/A	N/A	AVAILABLE
45	TQI	7000-1006	N/A	15JN15	52 CKT PASS THROUGH ADAPTERS	N/A	N/A	N/A	BLACK	AVAILABLE
46	TQI	7000-1002	N/A	15JN15	66 CKT PASS THROUGH ADAPTERS	N/A	N/A	N/A	BLACK	AVAILABLE
47	TQI	79917-0061	N/A	15JN15	73 CKT PASS THROUGH ADAPTERS	N/A	N/A	N/A	BLACK	AVAILABLE
48	TQI	79917-0066	N/A	15JN15	80 CKT PASS THROUGH ADAPTERS	N/A	N/A	N/A	BLACK	AVAILABLE

* - MX123 DRESS COVER 52/66/73/80 CKT MATES TO ANY MX123 HARN CONN ASSY SHOWN ON TABLE ABOVE



PAGE TITLE
COMPONENT TABLE

DRAWING NUMBER

12672833

DWG STATUS

ST REV PDI

R 001

PAGE NUMBER

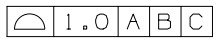
5 OF 22

NOTES: UNLESS OTHERWISE SPECIFIED

1. MATERIAL FOR INTERFACE:


- A. RESIN:
 - 1. 30% G.F. PBT; 20% MAX. (BY WEIGHT) REGRIND.
 - 2. MATING CONNECTOR INTERFACE PART COLOR MUST BE SAME AS MATCHING KEYED HARNESS CONNECTOR ASSEMBLY.
 - 3. MUST BE VALIDATED FOR INDIVIDUAL DEVICE APPLICATION REQUIREMENTS.
- B. 0.64MM PINS:
 - 1. BASE MATERIAL: COPPER ALLOY; CONDUCTIVITY >= 28% IACS AT 20°C; TENSILE STRENGTH >= 635 N/mm²; SURFACE ROUGHNESS R_a 6 MAX.
 - 2. PLATING FINISH: SILVER (Ag). PLATING TO BE 1.9-3.3 μm ELECTRODEPOSITED SEMI-BRIGHT SILVER OVER 1.25-2.25 μm DUCTILE SULPHAMATE NICKEL PER NOTE 1(D).
 - 3. ANTI-TARNISH: SYNTHETIC HYDROCARBON CONTACT SURFACE FINISH OR EQUIVALENT APPLIED WITHOUT VOID TO CONTACT AREA (MIN 3.7mm FROM PIN TIP).
- C. 2.8MM BLADE:
 - 1. BASE MATERIAL: COPPER ALLOY; CONDUCTIVITY >= 28% IACS AT 20°C; TENSILE STRENGTH >= 350 N/mm²; SURFACE ROUGHNESS R_a 6 MAX.
 - 2. PLATING FINISH: TIN. PLATING TO BE 2.5-5.0 μm ELECTRODEPOSITED TIN, MATTE FINISH OVER 1.25-2.5 μm DUCTILE SULPHAMATE NICKEL PER NOTE 1(D).
- D. PLATING REQUIREMENTS:
 - 1. SILVER PLATING
 - a. 99.5% PURE SEMI-BRIGHT WITH NO ORGANIC BRIGHTNERS OR CHROMATES.
 - 2. NICKEL PLATING
 - a. ELECTRODEPOSITED DUCTILE SULFAMATE NICKEL WITH A NON-BRIGHTENED FINISH. NO ORGANIC OR BRIGHTENING AGENTS SHALL BE ALLOWED.
 - b. SHALL ONLY BE USED AS AN UNDERLYING PLATING AND MAY NOT BE USED AS AN ELECTRICAL CONTACT SURFACE PLATING.
 - c. SHALL BE NODULE FREE WHEN VIEWED AT 10X MAGNIFICATION IN MEASURED IN CONTACT SURFACE AREA PLUS 0.5MM PERIMETER AROUND THE CONTACT SURFACE AREA.
 - d. ALL PLATINGS SHALL HAVE A 1.0% MAXIMUM BY WEIGHT IMPURITIES. IMPURITIES ARE DEFINED AS ALL ELEMENTS NOT THE PRIMARY PLATING OR HARDENING AGENT IF APPLICABLE, AS DETERMINED BY WET CHEMICAL ANALYSIS OR AUGER METHOD. NO SINGLE IMPURITY SHALL EXCEED 0.1% MAXIMUM BY WEIGHT.
 - 3. TESTING
 - a. THICKNESS TO BE MEASURED IN CONTACT SURFACE AREA PLUS 0.5MM PERIMETER AROUND THE CONTACT SURFACE AREA AS DESIGNATED IN THE DRAWING. THICKNESS SHALL BE DETERMINED BY METHOD OF X-RAY (XRF).
 - b. PLATING ADHESION SHALL BE TESTED BY A BEND TEST FOR ALL METALS. THE TEST SAMPLE SHALL BE BENT 90 DEGREES TO DETERMINE DEPOSIT ADHESION. TESTING SHALL BE COMPLETED IN ACCORDANCE WITH ASTM SPEC B571.

2. DESIGN - GENERAL:

- A. THIS IS A 100% CAD GENERATED PART. THE CAD MATHEMATICAL DATA IS THE MASTER FOR THIS PART. FOR DIMENSIONAL OR ANY INFORMATION NOT SHOWN ON THIS DRAWING, ANALYZE THE CAD MODEL.
- B. TOLERANCES:
 - 1. LINEAR
 - 0.X ± 0.30
 - 0.XX ± 0.10
 - 0.XXX ± 0.10
 - 2. ANGULAR X° ± 3°
 - 3. 
- C. MINIMUM WALL THICKNESS REQUIRED: 1.3mm.
- D. CORNERS SHOWN AS SHARP TO BE R 0.2 MAX.
- E. LETTERING SHALL BE 0.15 MAX RAISED IN 0.20 MAX RECESS PAD. THIS INCLUDES MATERIAL CODE, RECYCLING CODE, CAVITY ID AND DATE CODE.
- F-1. PARTS MUST BE FREE OF DISCOLORATION, SALT RESIDUE AND OTHER IMPERFECTIONS THAT AFFECT FIT OR FUNCTION.
- F-2. SCRATCHES OR DENTS NOT TO EXCEED 0.013mm IN DEPTH.
- G. FOLLOWING PRODUCTION CODES TO BE PERMANENTLY MARKED & HUMAN READABLE TO A LETTER HEIGHT OF 1.5 ± 0.5MM X 0.3 MAX DEEP
 - 1. MATERIAL #: XXXXX-XXXX
 - 2. DATE CODE: JJJY (JULIAN DAY, LAST DIGIT OF YEAR)
 - 3. INSPECTION MACHINE CODE + SERIAL #: X_XXXXX

3. DESIGN - MANUFACTURING:

- A. DRAFT TO BE WITHIN TOLERANCE.
- B. ALLOWABLE FLASH MAX 0.2 HIGH X MAX 0.13 THICK.
- C. ALLOWABLE PARTING LINE MISMATCH 0.2 MAX.
- D. EJECTOR PINS MARK TO BE FLUSH TO 0.25 MAX DEPRESSED.
- E. ALLOWABLE GATE VESTIGE FLUSH TO 0.25 MAX PROTRUSION.
- F. NO EXTERNAL MOLD RELEASE AGENT ALLOWED DURING MANUFACTURING.
- G. STEEL THAT FORMS THE INDICATED SURFACE MUST BE POLISHED WITH A DIAMOND FINISH (SPI A-2) OVER THE FULL PERIPHERY OF THE TOOL. SURFACE MUST HAVE NO MISMATCH.
- H. ANY PROCESS LUBRICANT REMAINING ON THE TERMINAL MUST NOT VARNISH OR DEGRADE IT'S ELECTRICAL PERFORMANCE UP TO A MAXIMUM CLASS AMBIENT TEMPERATURE PER SAE USCAR-2 FOR 1008 HOURS. PROCESS LUBRICANTS SHOULD BE APPROVED BY THE RESPONSIBLE ENGINEER.
- J. OPTIONAL FEATURES PROVIDED FOR AUTOMATION.
- K. PART MUST BE FREE FROM BURRS AND SHARP EDGES, WHICH MIGHT BE DETRIMENTAL TO SATISFACTORY ASSEMBLY, SAFE HANDLING OR FUNCTION OF PART.
- L. PARTS AS DELIVERED TO ASSEMBLY SHALL BE CLEAN AND FREE OF DEBRIS, RESIDUAL ABRASIVE MATERIAL AND CORROSION PRODUCTS ADVERESLY AFFECTING FUNCTION OR APPEARANCE.
- M. RESTRICTED AND REPORTABLE SUBSTANCES FOR PARTS PER GMW3059.

	PAGE TITLE	DRAWING NUMBER	DWG STATUS			PAGE NUMBER	
	NOTES		12672833	ST	REV	PDI	6 OF 22
				R	001		

NOTES: UNLESS OTHERWISE SPECIFIED

4. SYSTEM REQUIREMENTS:

- A. HARNESS CONNECTOR IS COMPATIBLE WITH THE FOLLOWING ISO WIRE SIZE NO'S:
 0.35mm², MEETING GMW15626 - MIN OD OF 1.30MM
 0.50mm², MEETING GMW15626
 0.75mm², MEETING GMW15626 - MAX OD OF 2.06MM

B. CABLE TIE SPECIFICATIONS:

1. CABLE TIE:
 TENSILE RATING: 220N / (50lbs) MIN
 TIE LENGTH: 186mm MIN
 TIE WIDTH: 4.75mm MAX
 MATERIAL: NYLON
 2. INSTALLATION:
 CABLE TIE TENSION: 190N MIN
 3. DRESSED WIRE BUNDLE PACKAGING: SEE FIG. 1

C. WHEN MATED WITH COMPONENT CONNECTOR INTERFACE AND/OR DRESS COVER, HARNESS CONNECTOR SYSTEM CONFORMS TO THE FOLLOWING:

1. SAE/USCAR-2, REV: 3 APRIL, 2001; CLASS 3
 2. FIELD CORRELATED LIFE TEST, SAE/USCAR-20, NOV. 2001
 3. GMW #3191 AUGUST 22, 2000 (DRAFT); TEMPERATURE CLASS 3, SEALING CLASS 1, VIBRATION CLASS 2
 4. RESTRICTED AND REPORTABLE CHEMICALS PER GMW #3059, REV: D AUGUST 2002
 5. TPA USER FORCES (FULLY POPULATED WITH TERMINALS)
 a. REMOVAL FROM LOCK TO PRE-SET: <=120N

D. WIRE SPECIFICATIONS:

1. WIRE SURFACE MUST BE FREE OF SCRATCHES, GROOVES OR DENTS WHERE FUNCTIONAL

5. TERMINAL CURRENT RATINGS:

A. MX64 RCPT TERM

ALL TESTING DONE IN ACCORDANCE WITH USCAR-2 REV5 SECTION 5.3

1. MX64 RCPT TERM Ag 0.50/0.75mm² CRIMPED TO 0.75mm² ISO WIRE AND MATED TO MX123 0.64MM PIN: SEE TABLE BELOW
 2. MX64 RCPT TERM Ag 0.35mm² CRIMPED TO 0.35mm² ISO WIRE AND MATED TO MX123 0.64MM PIN: SEE TABLE BELOW

WIRE	CURRENT RATING			
	23°C	85°C	105°C	125°C
0.75mm ²	11.3A	11.3A	9.5A	6.6A
0.50mm ²	10.0A	10.0A	8.3A	5.7A
0.35mm ²	8.5A	8.5A	7.1A	5.0A

B. 2.8MM RCPT TERM

ALL TESTING DONE IN ACCORDANCE WITH MOLEX DVP&R 0279 (TR # 7125)

1. 2.8MM RCPT TERM TIN 2.0mm² CRIMPED TO 2.0mm² ISO WIRE AND MATED TO MX123 2.8MM BLADE: 25.6 AMPS AT 125°C

6. CONTACT MOLEX AUTOMOTIVE FOR AVAILABLE CUSTOM PATTERNS OF CAVITIES OPEN FOR CIRCUITS - SEE GM DRAWING 13507496



PAGE TITLE
NOTES

DRAWING NUMBER

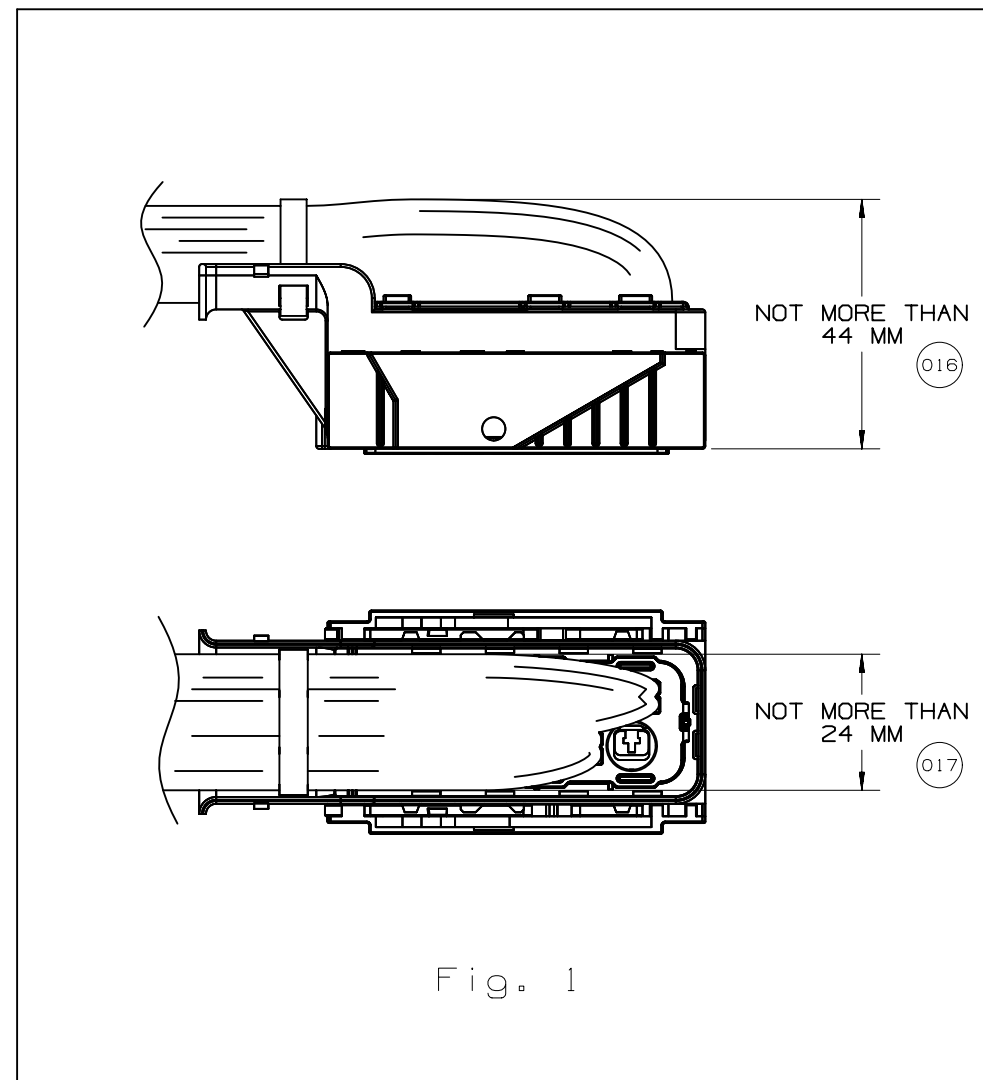
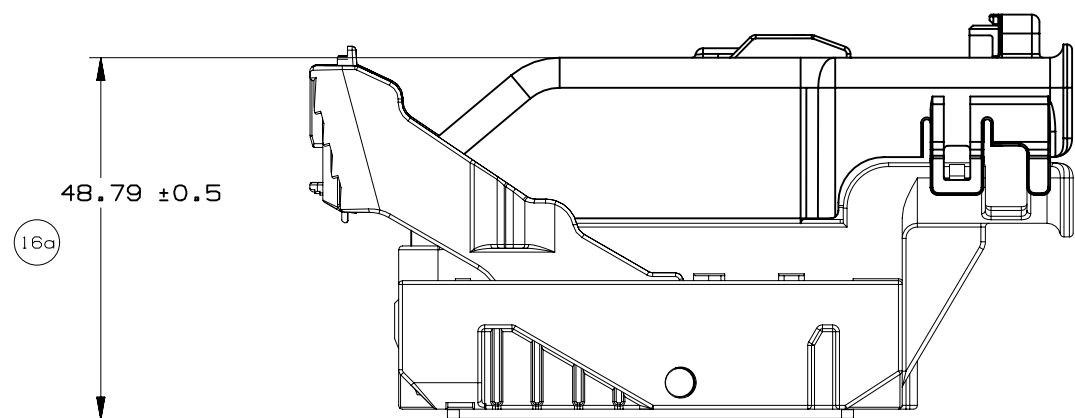
12672833

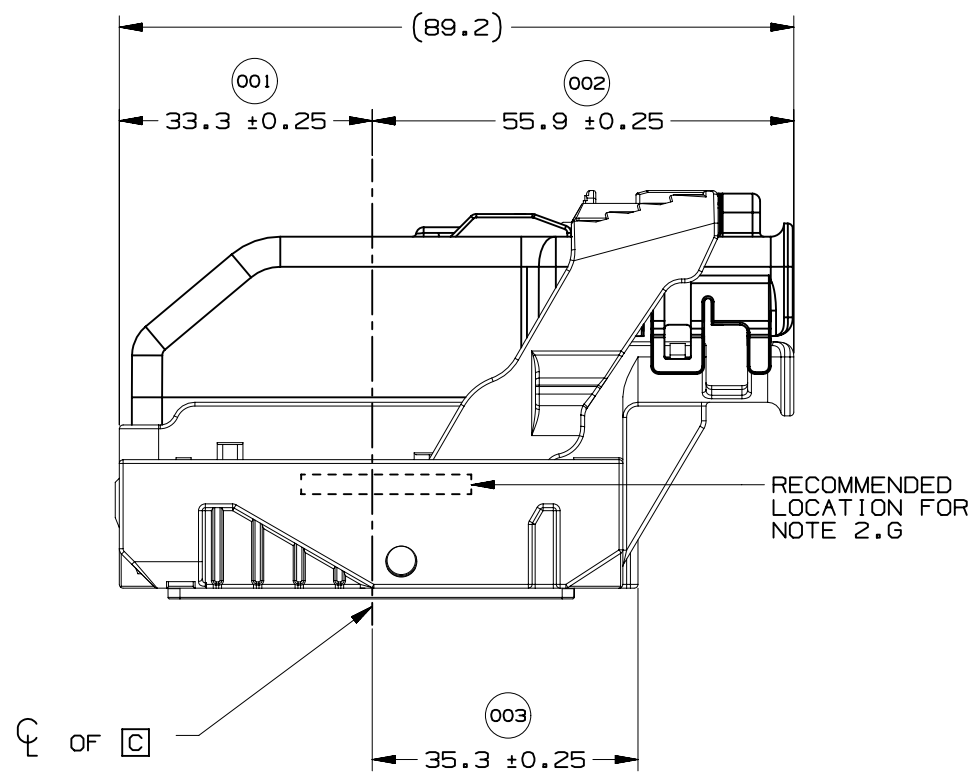
DWG STATUS

ST	REV	PDI
R	001	

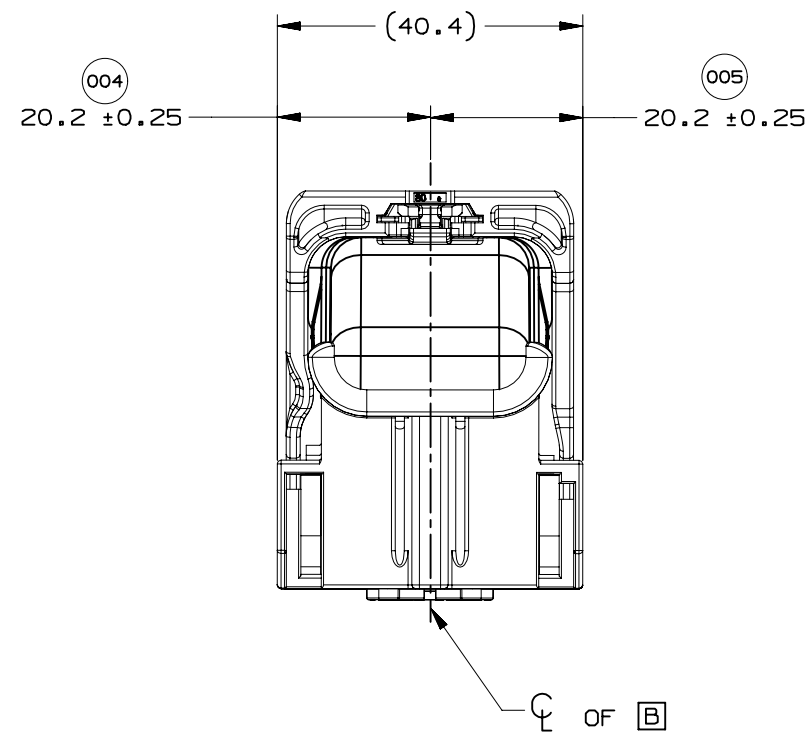
PAGE NUMBER

7 OF 22

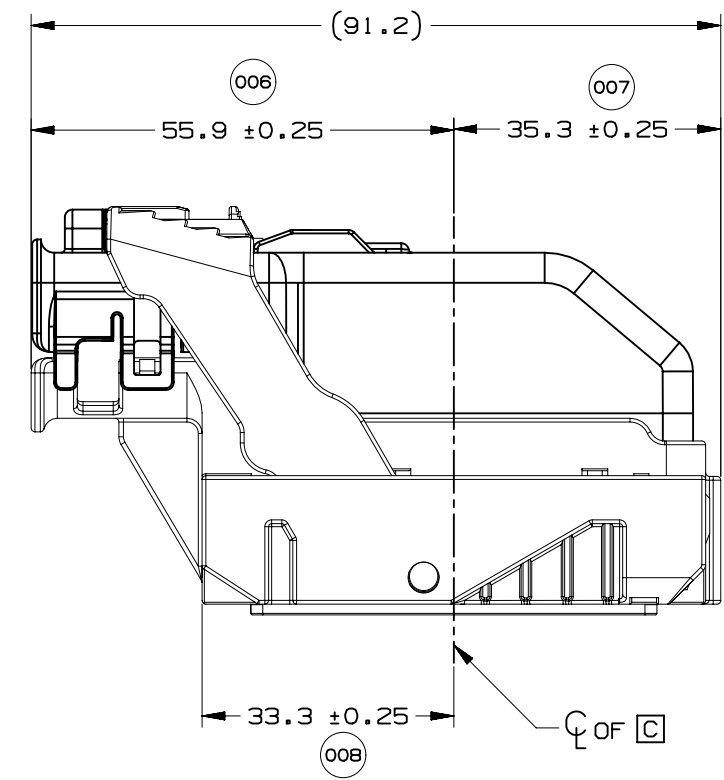




WIRE DRESS OPTION 0 SHOWN

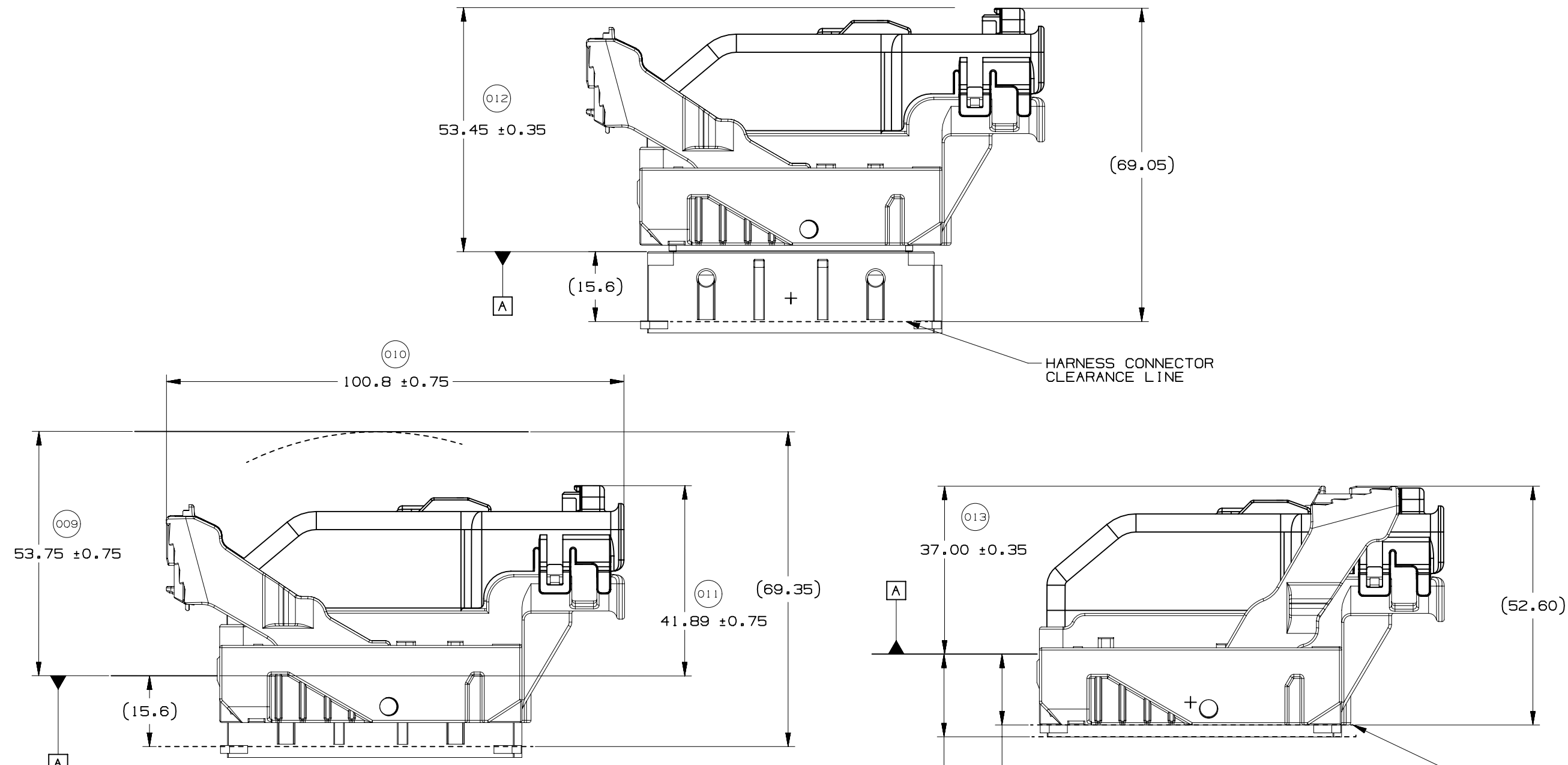


WIRE DRESS OPTION 0 SHOWN



WIRE DRESS OPTION 9 SHOWN





HARNESS CONNECTOR CLEARANCE LINE

HARNESS CONNECTOR ASSEMBLY IN FULLY-MATED POSITION

HARNESS CONNECTOR CLEARANCE LINE

15.6 MIN. ALL AROUND CLEARANCE REQUIRED FOR HARNESS CONNECTOR (014)

17.9 MIN. AT PAD LOCATION CLEARANCE REQUIRED FOR HARNESS CONNECTOR CONSTRUCTION BELOW THIS PLANE IS NOT CONTROLLED (015)

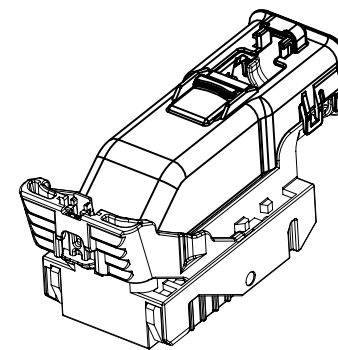
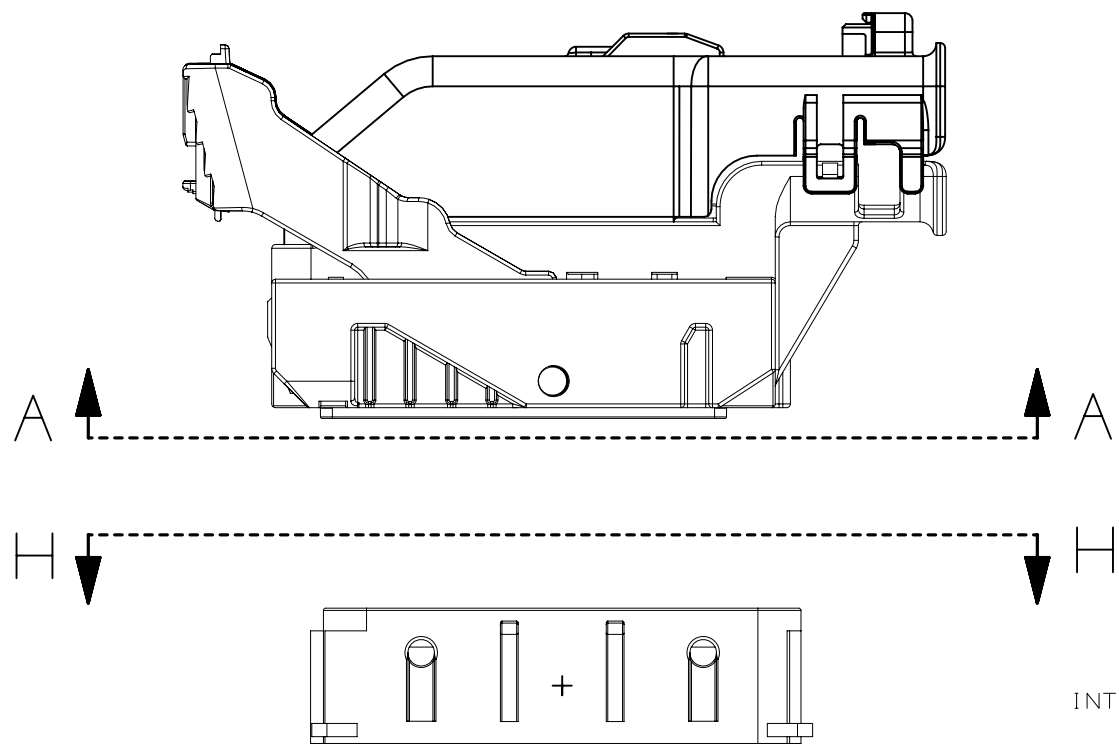


PAGE TITLE
LOCATION AND PACKAGING DIMENSIONS
REFERENCING INTERFACE DATUM A

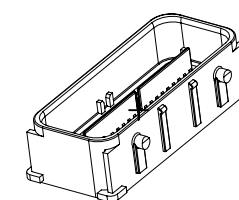
DRAWING NUMBER
12672833

DWG STATUS		
ST	REV	PD1
R	001	

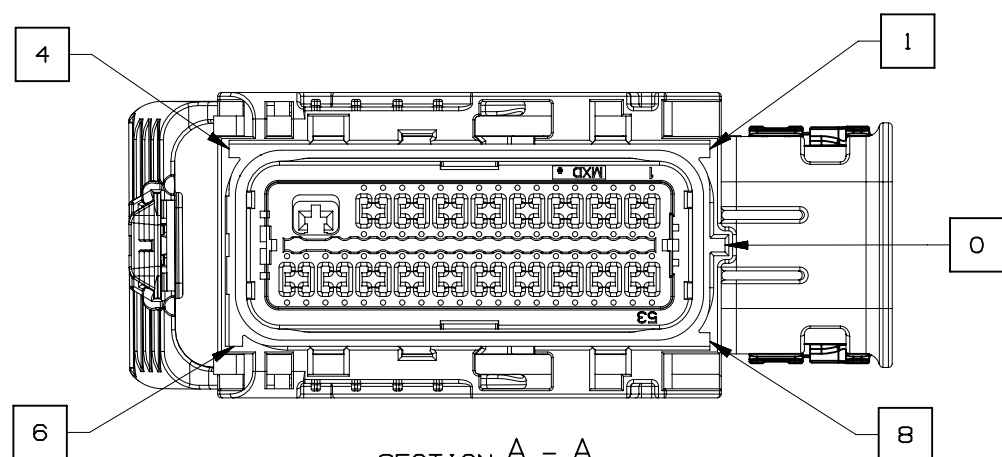
PAGE NUMBER
10 OF 22



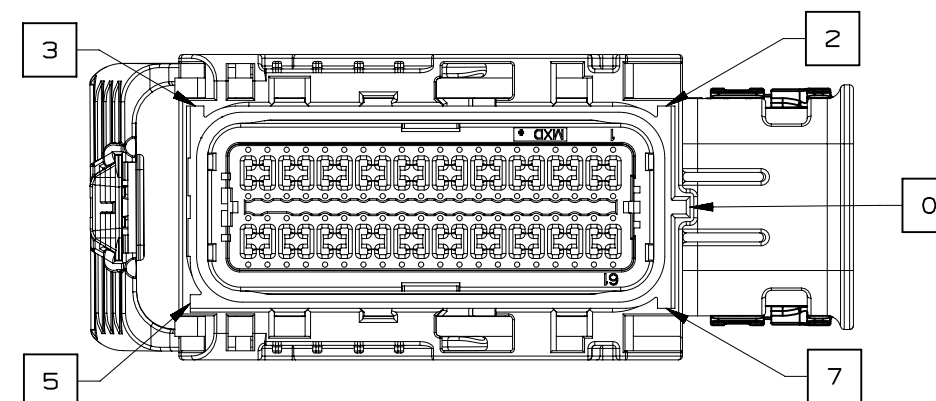
NOTE: REFERENCE THE COMPONENT TABLE FOR KEY OPTIONS AND CONFIGURATIONS



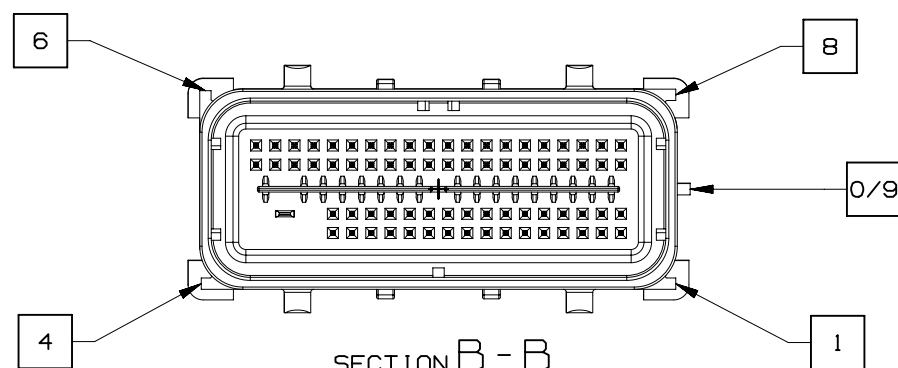
INTERFACE SIDE SHOWN ON ALL SECTION VIEWS



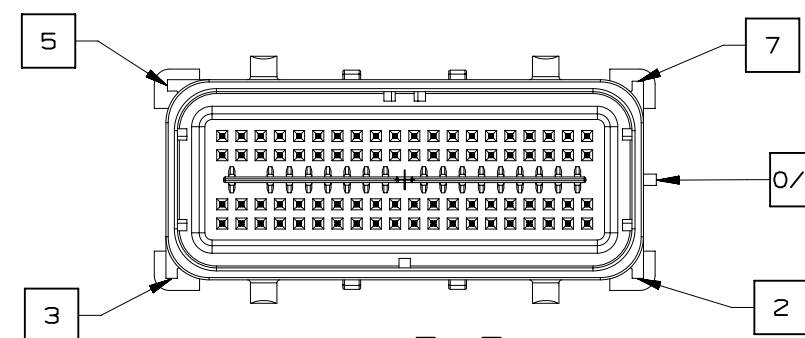
SECTION A - A
73 CKT HARNESS CONNECTOR ASSEMBLY
KEY OPTION B SHOWN



SECTION A - A
80 CKT HARNESS CONNECTOR ASSEMBLY
KEY OPTION K SHOWN



SECTION B - B
73 CKT HARNESS CONNECTOR ASSEMBLY
KEY OPTION B SHOWN



SECTION B - B
80 CKT HARNESS CONNECTOR ASSEMBLY
KEY OPTION K SHOWN

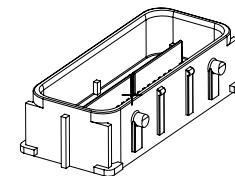
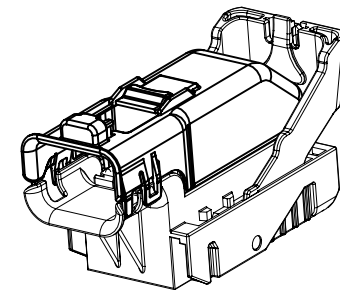
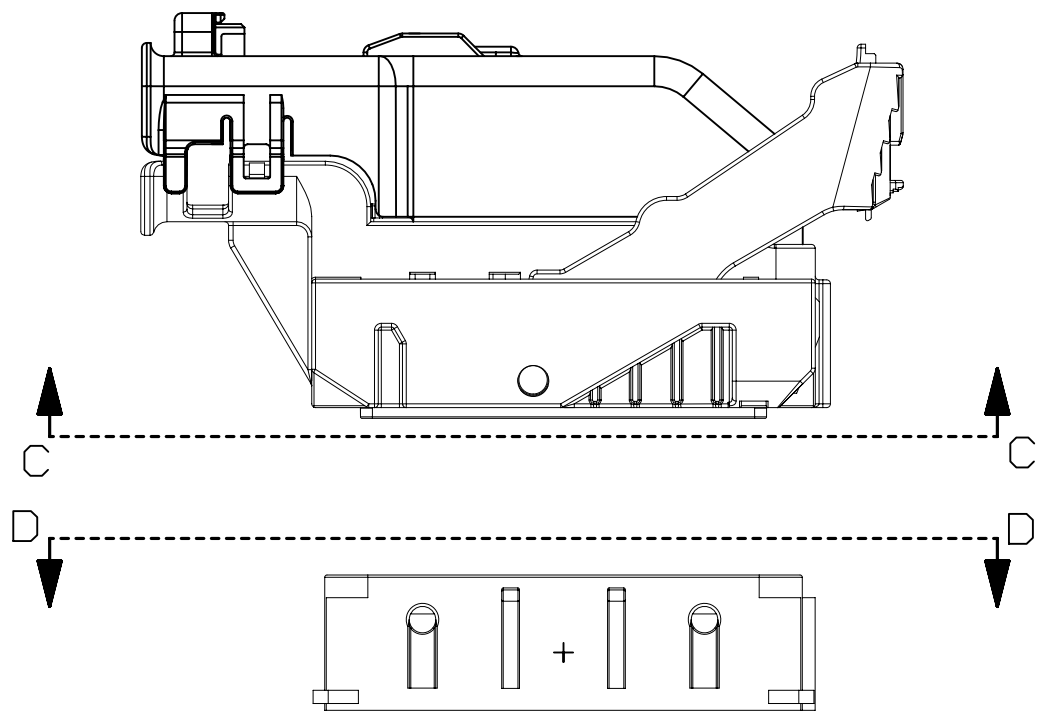


PAGE TITLE
KEY ID REF - WIRE DRESS OPTION 0

DRAWING NUMBER
12672833

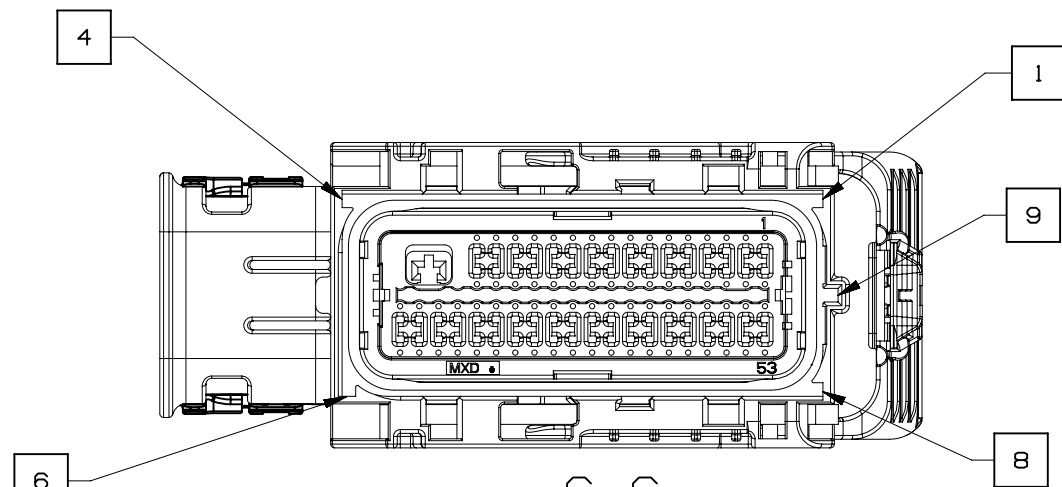
DWG STATUS		
ST	REV	PD1
R	001	

PAGE NUMBER
11 OF 22

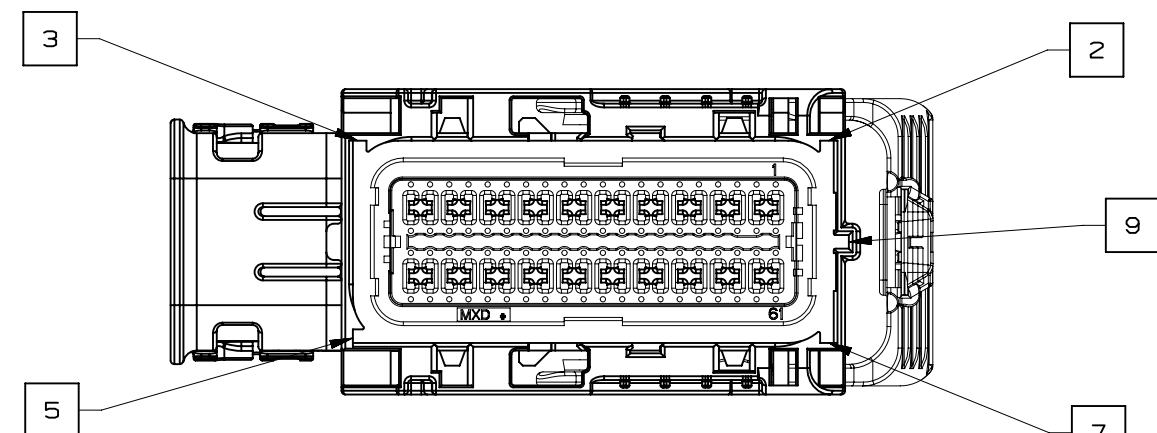


NOTE: REFERENCE THE COMPONENT TABLE FOR KEY OPTIONS AND CONFIGURATIONS

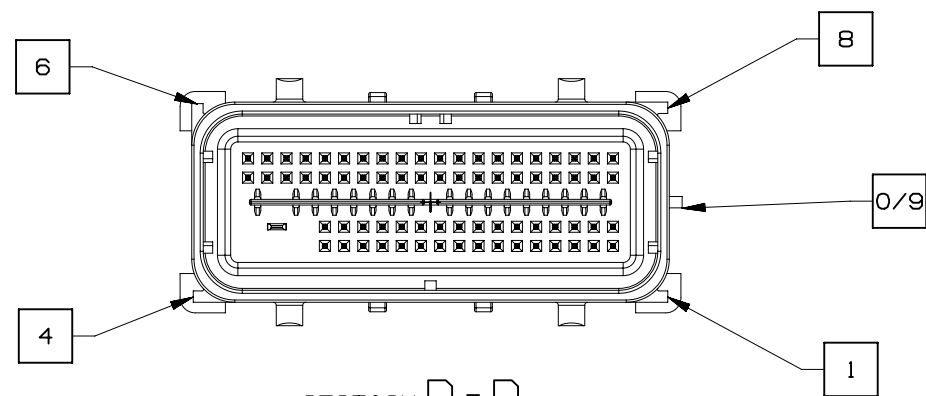
INTERFACE SIDE SHOWN ON ALL SECTION VIEWS



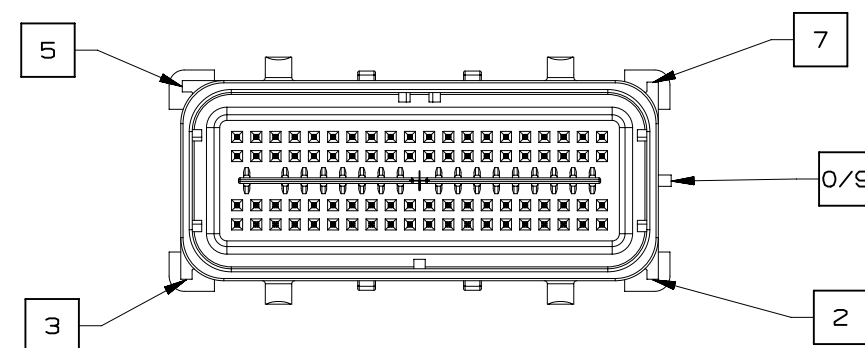
SECTION C - C
73 CKT HARNESS CONNECTOR ASSEMBLY
KEY OPTION B SHOWN



SECTION C - C
80 CKT HARNESS CONNECTOR ASSEMBLY
KEY OPTION K SHOWN



SECTION D - D
73 CKT HARNESS CONNECTOR ASSEMBLY
KEY OPTION B SHOWN



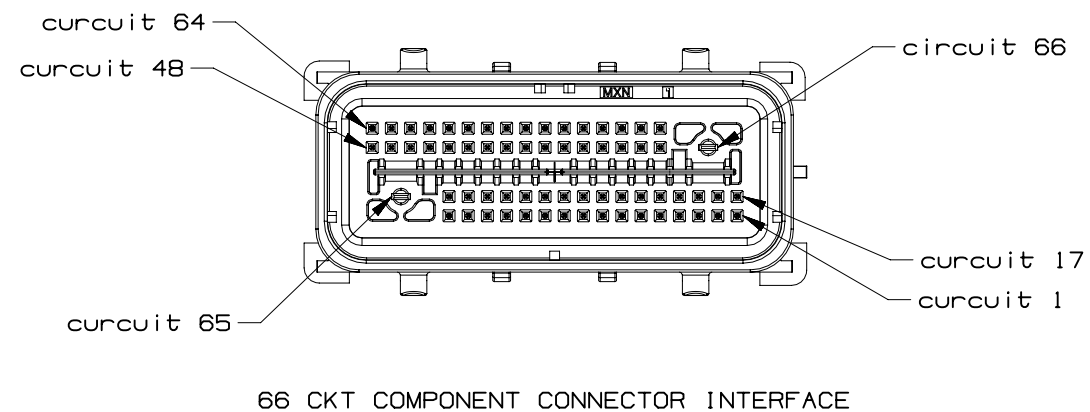
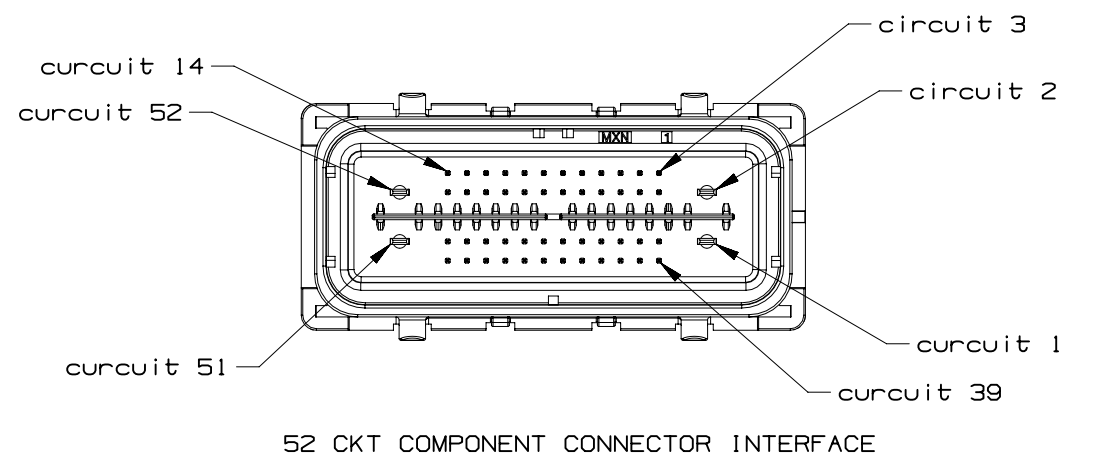
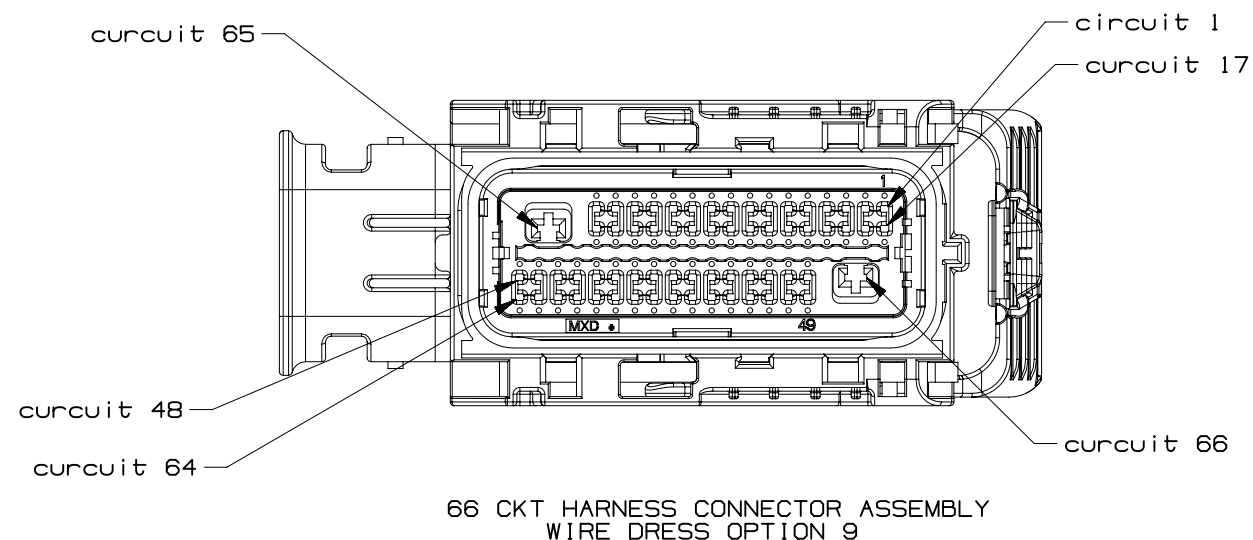
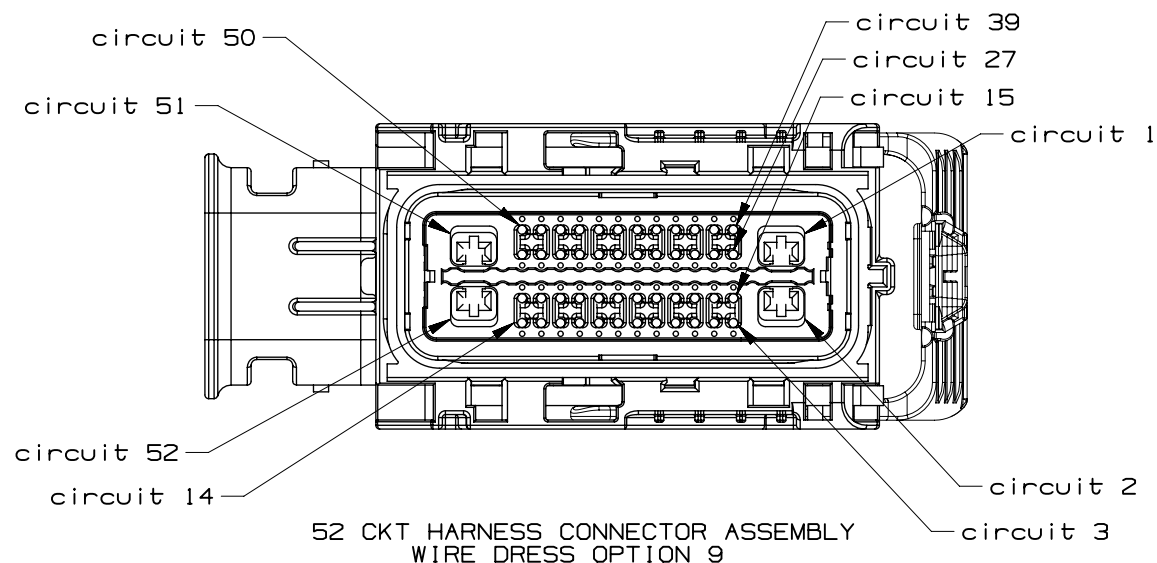
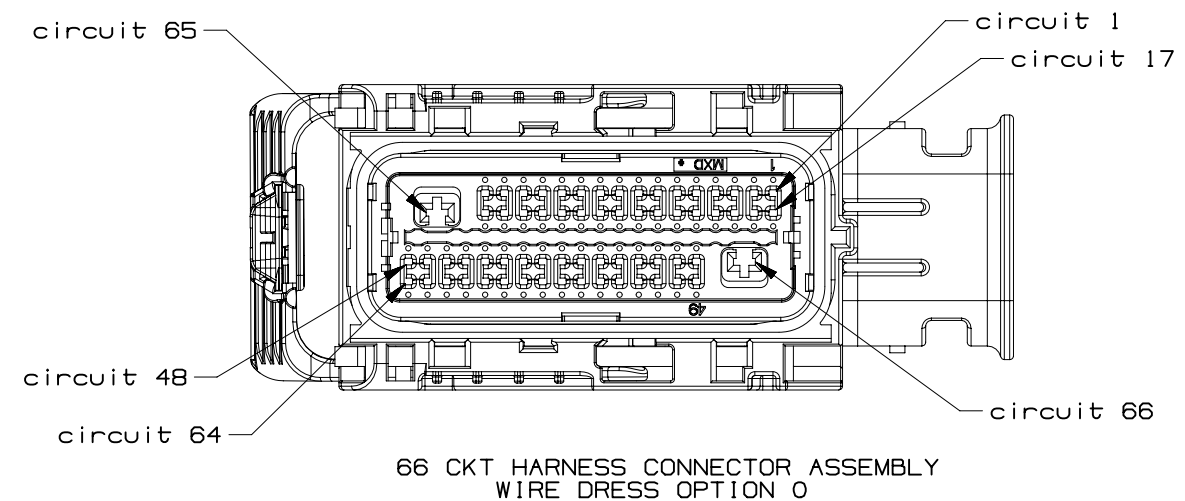
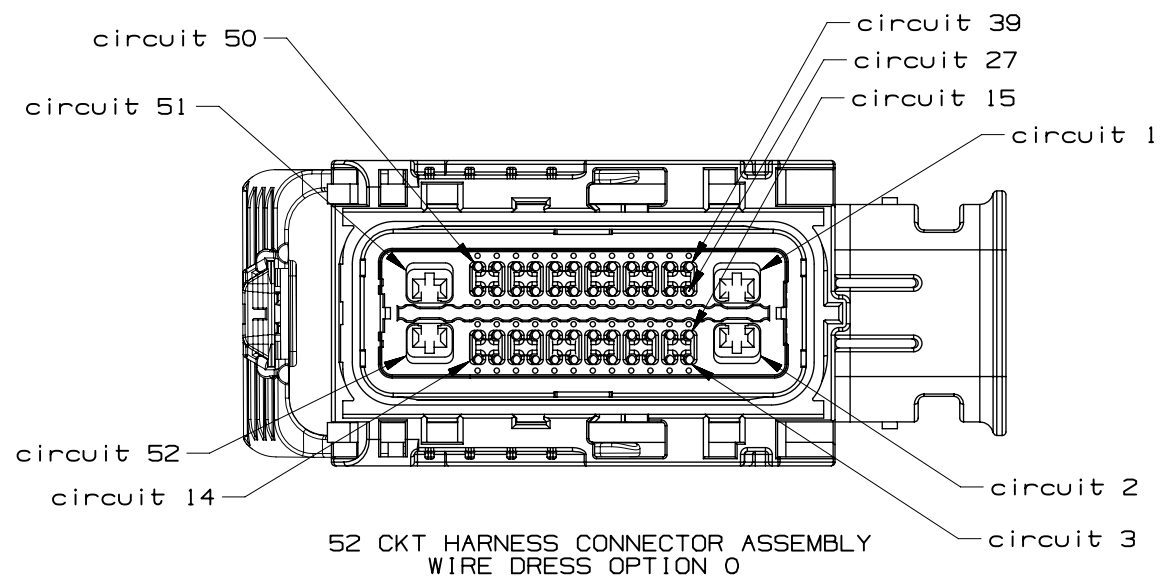
SECTION D - D
80 CKT HARNESS CONNECTOR ASSEMBLY
KEY OPTION K SHOWN

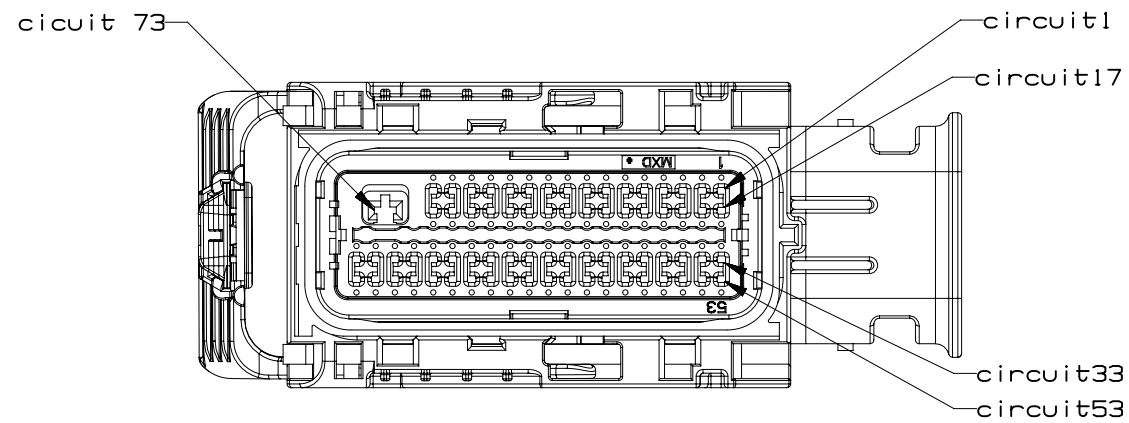


PAGE TITLE
KEY ID REF - WIRE DRESS OPTION 9

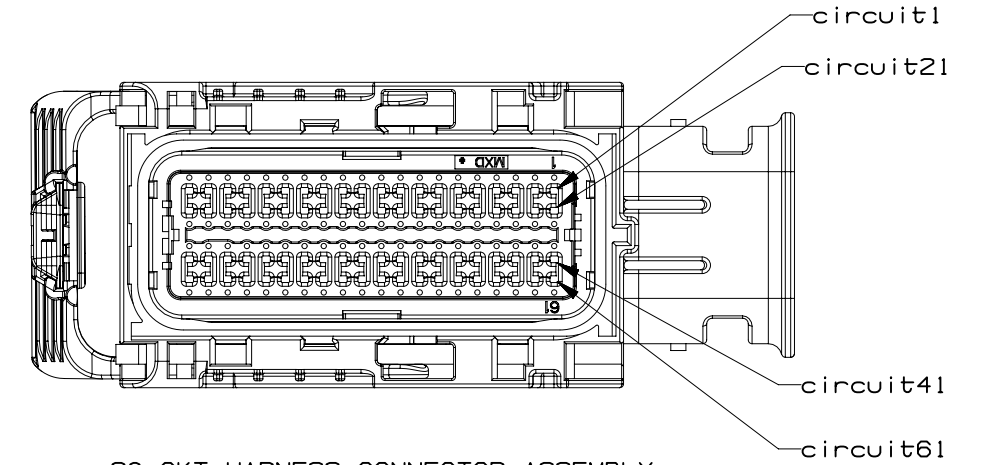
DRAWING NUMBER
12672833

DWG STATUS			PAGE NUMBER
ST	REV	PD1	
R	001		12 OF 22



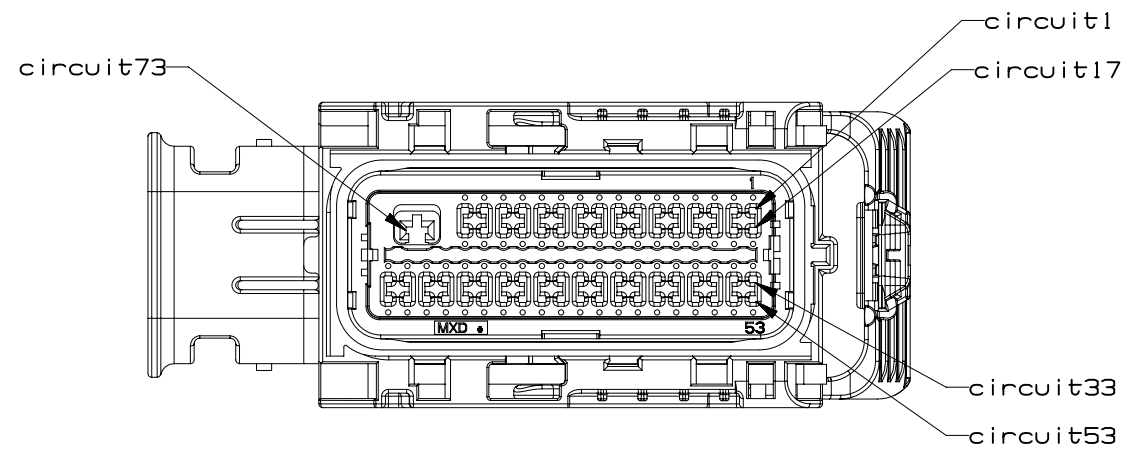


73 CKT HARNESS CONNECTOR ASSEMBLY
WIRE DRESS OPTION 0

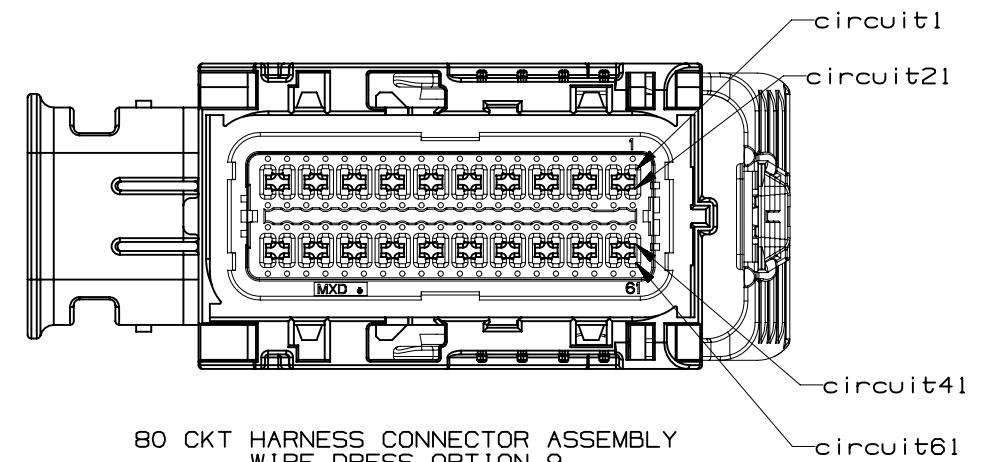


80 CKT HARNESS CONNECTOR ASSEMBLY
WIRE DRESS OPTION 0

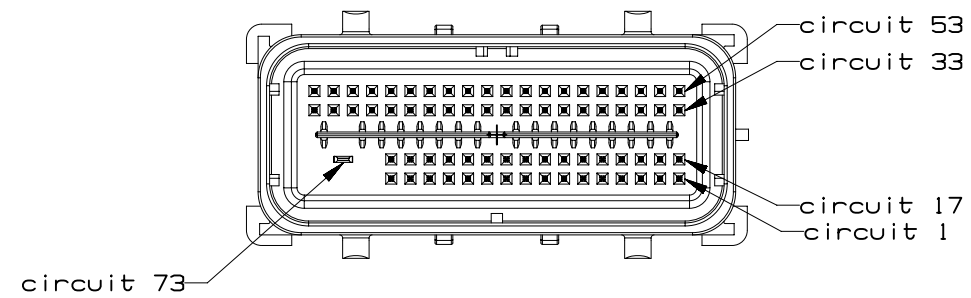
INTERFACE SIDE SHOWN ON ALL VIEWS



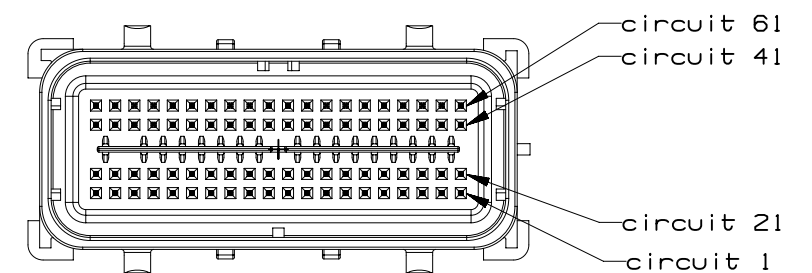
73 CKT HARNESS CONNECTOR ASSEMBLY
WIRE DRESS OPTION 9



80 CKT HARNESS CONNECTOR ASSEMBLY
WIRE DRESS OPTION 9

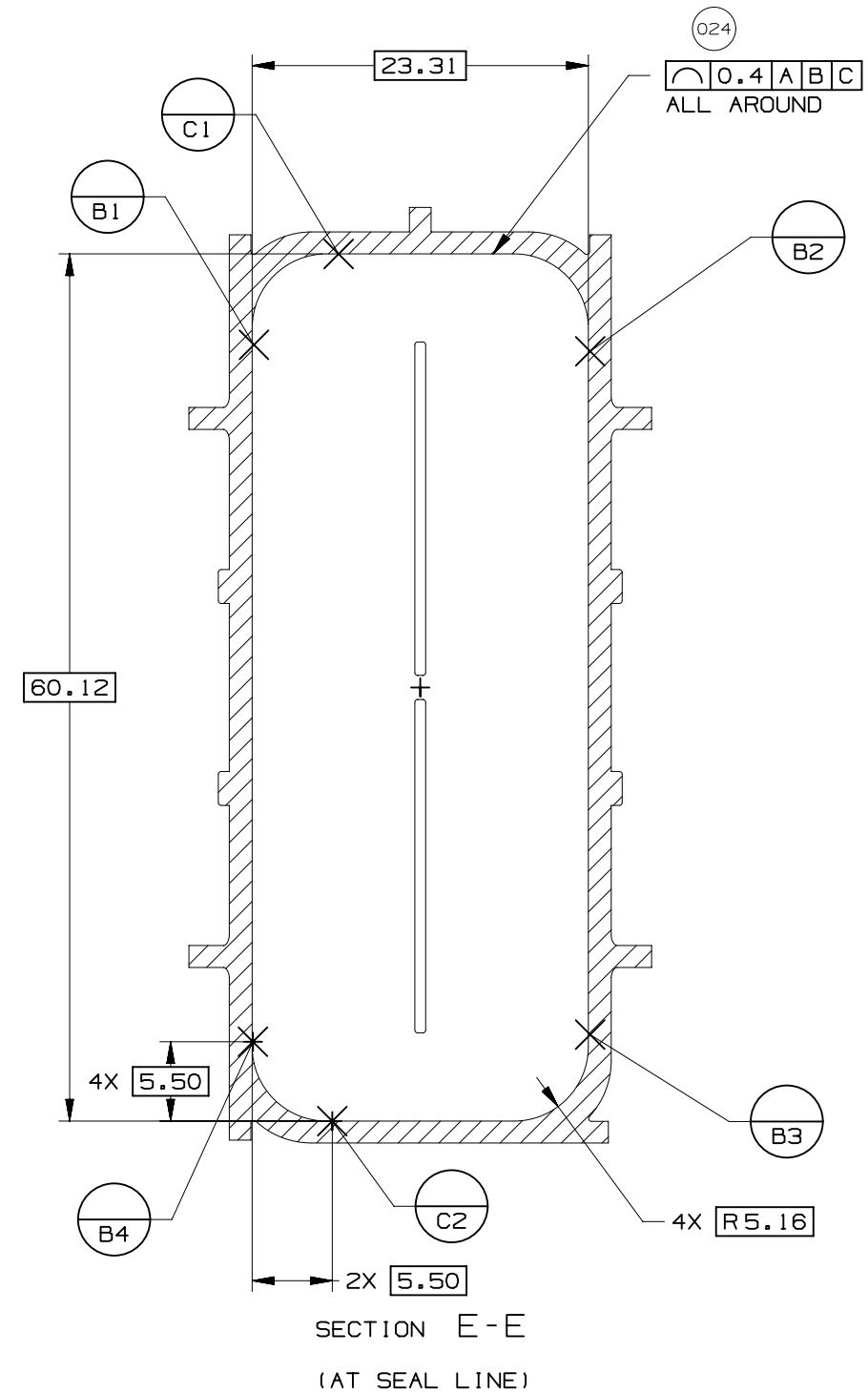
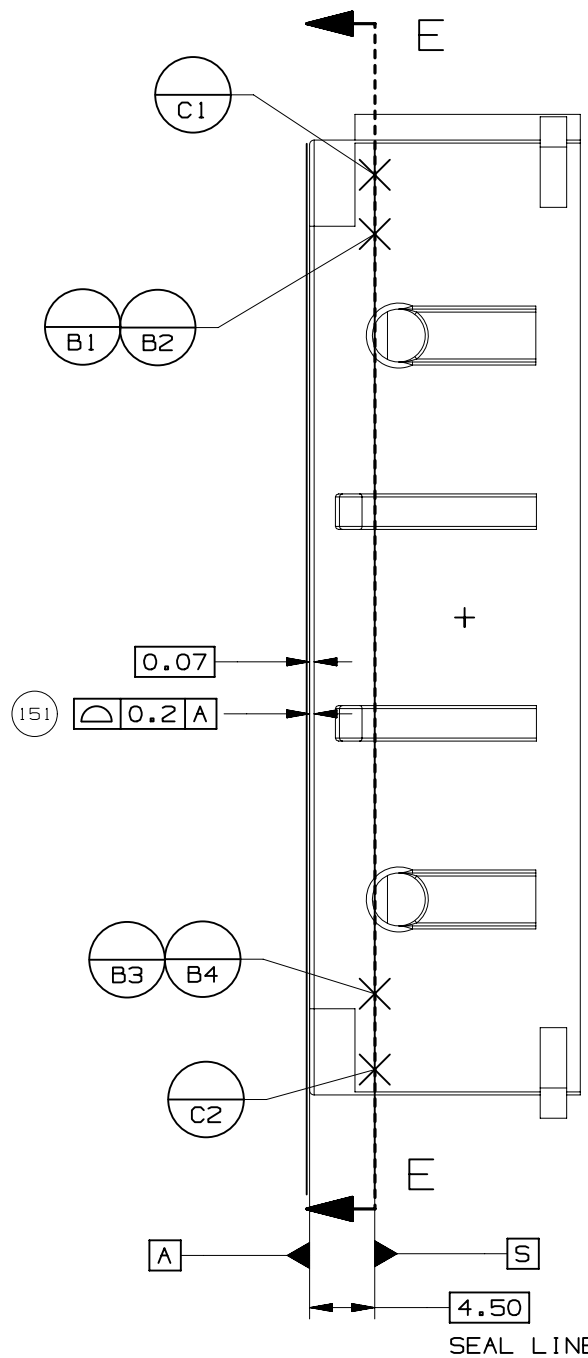
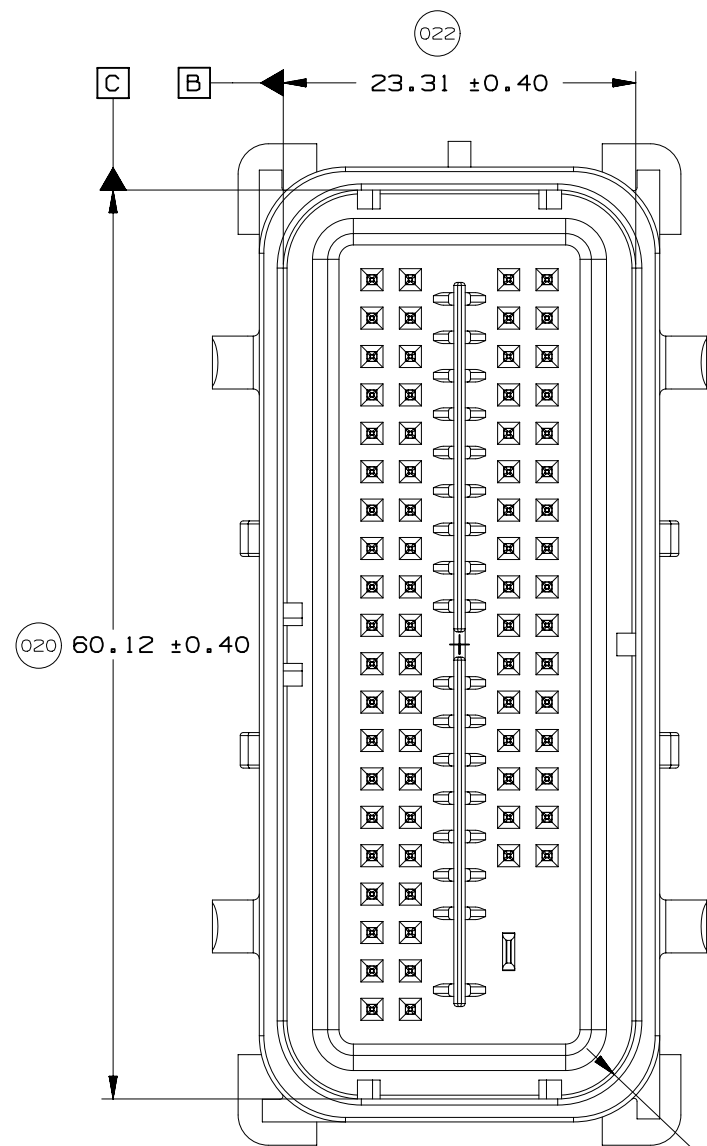
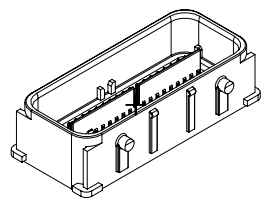


73 CKT COMPONENT CONNECTOR INTERFACE



80 CKT COMPONENT CONNECTOR INTERFACE





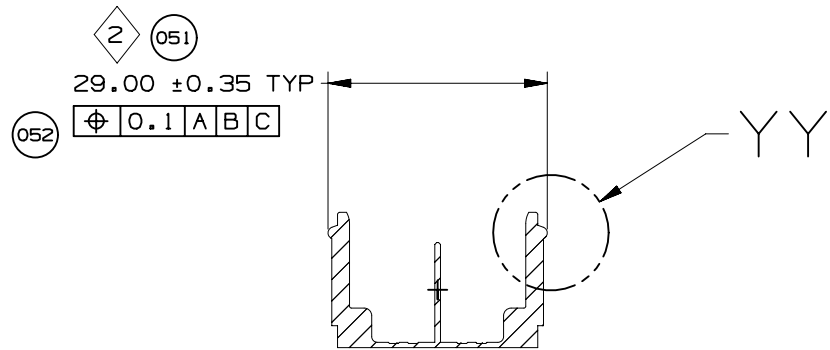
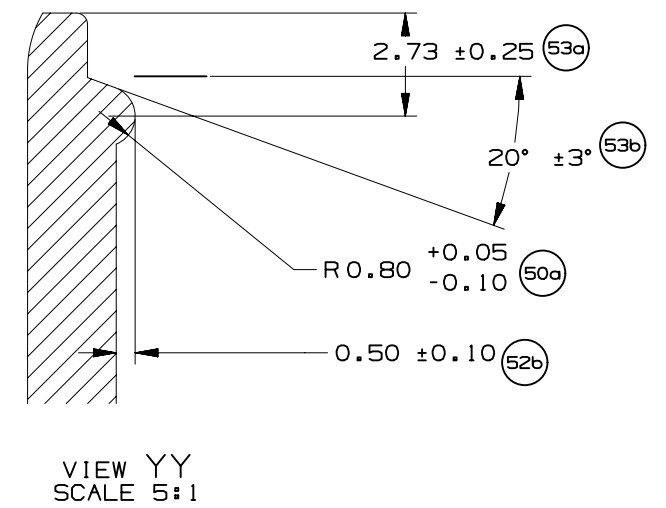
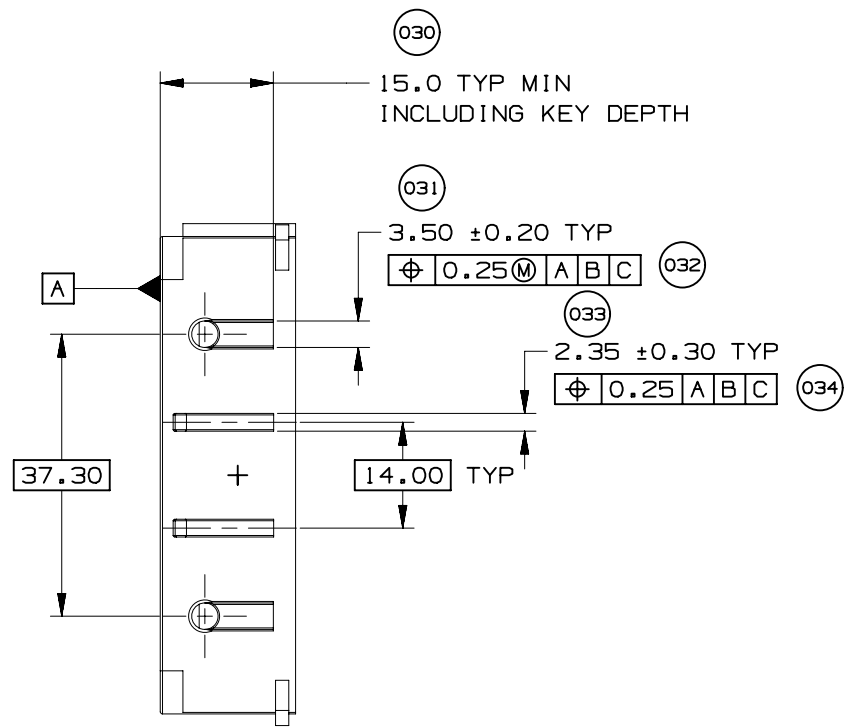
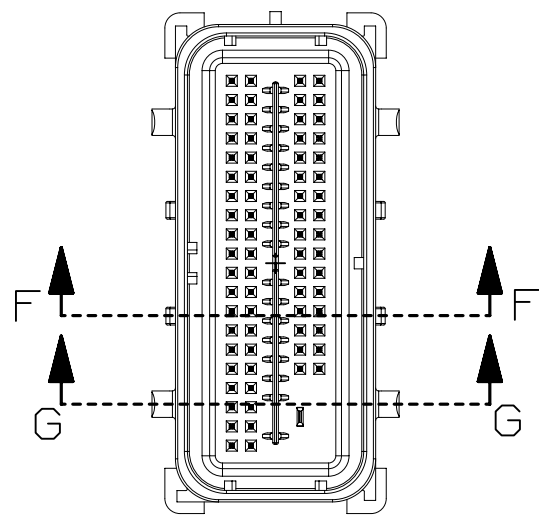
UNLESS SPECIFIED, TOLERANCE OF THE COMPONENT CONNECTOR INTERFACE TO BE 0.13 A B C



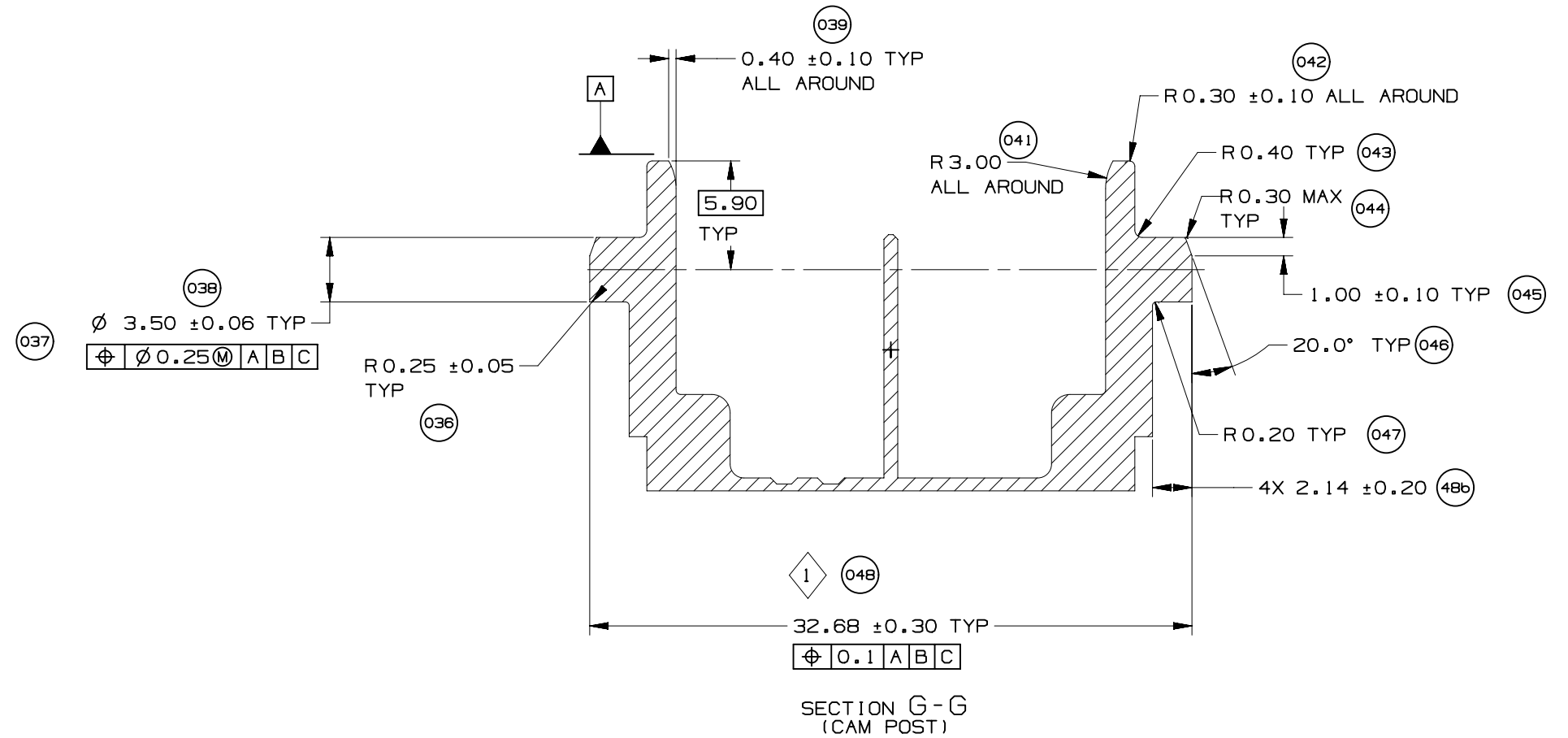
PAGE TITLE
COMPONENT CONNECTOR INTERFACE

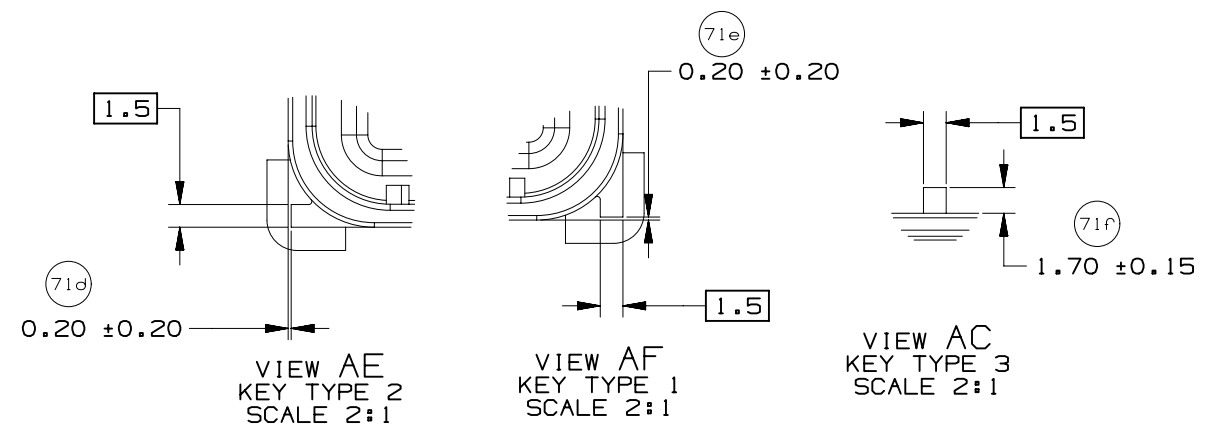
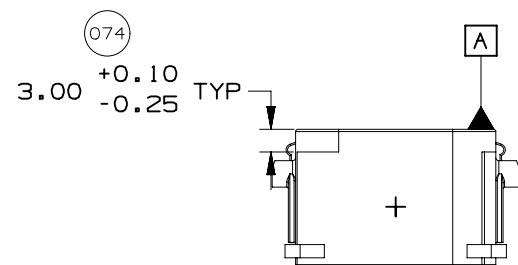
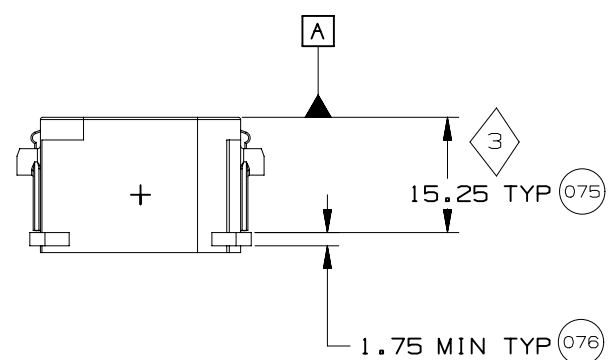
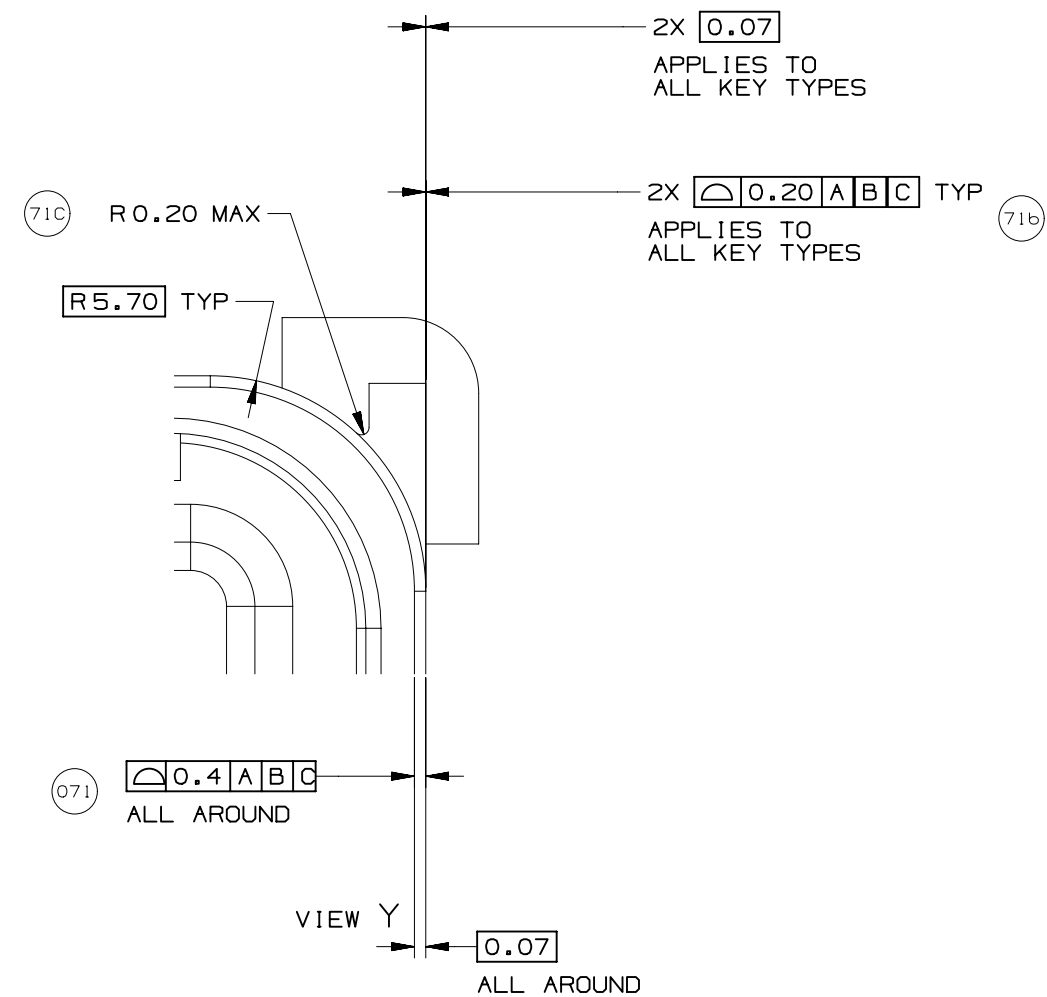
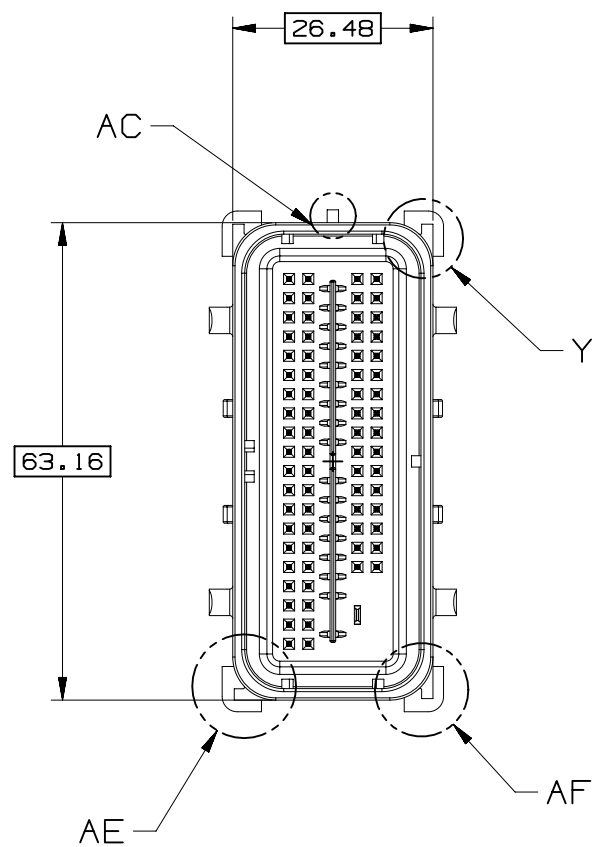
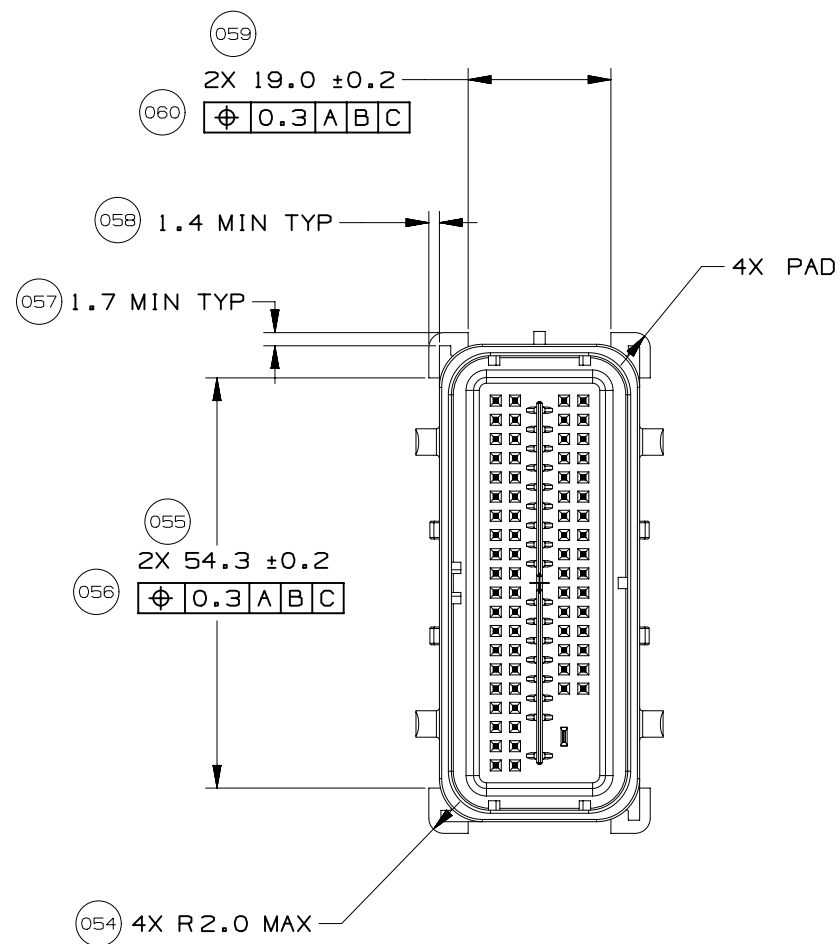
DRAWING NUMBER
12672833

DWG STATUS			PAGE NUMBER
ST	REV	PD1	
R	001		15 OF 22



SECTION F-F
(RELEASE FEATURE)

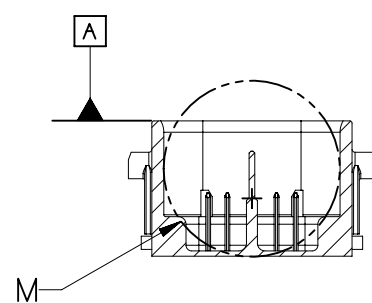
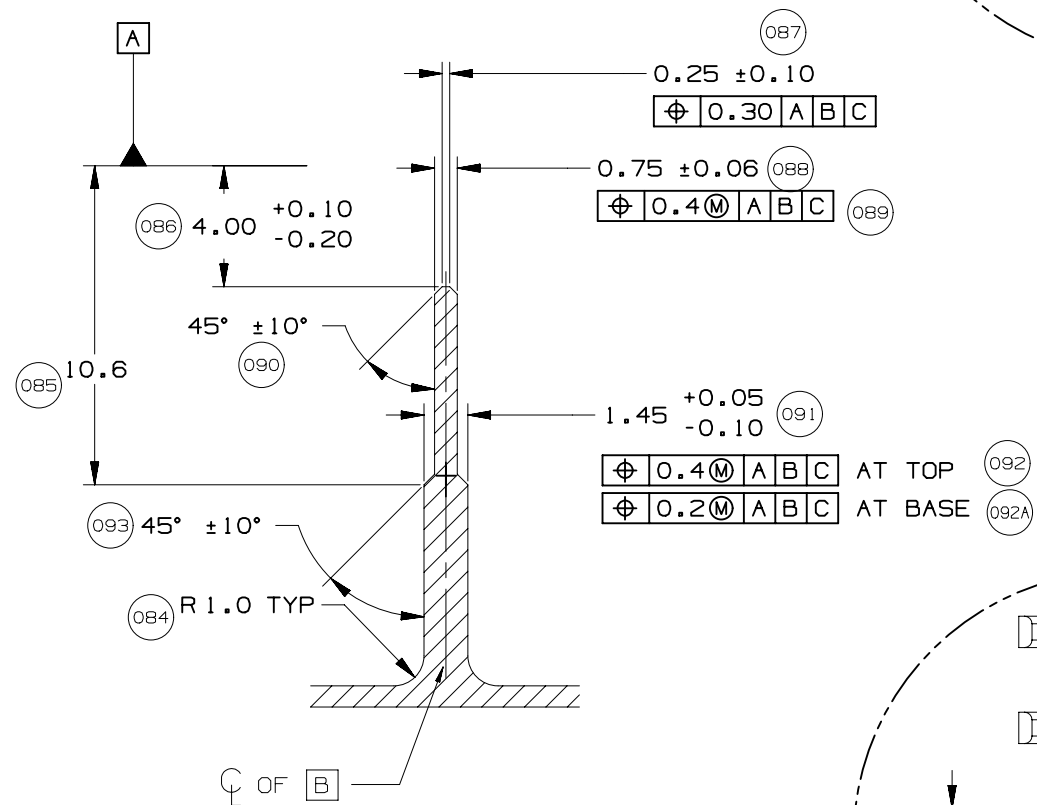
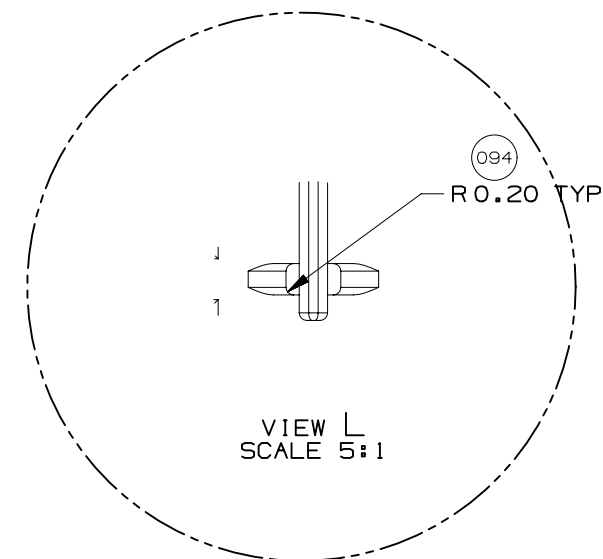
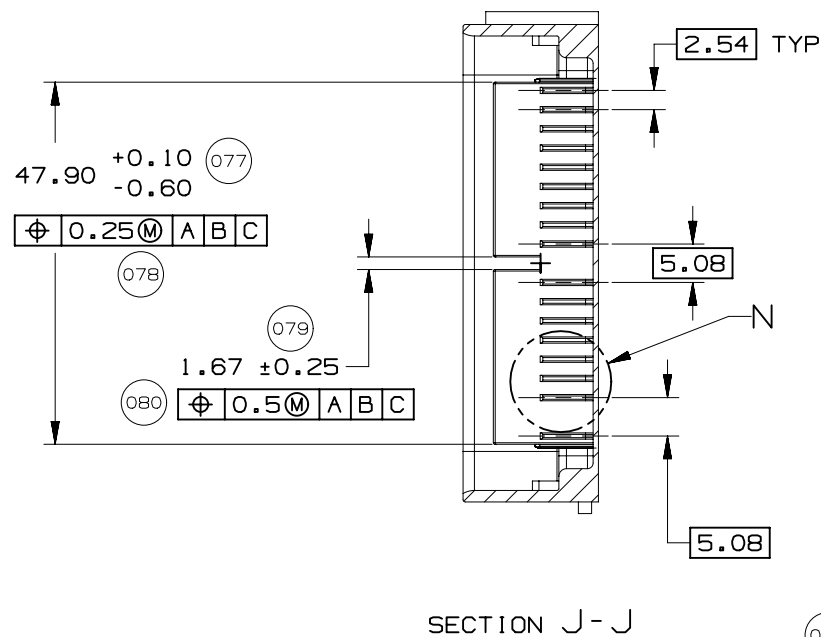
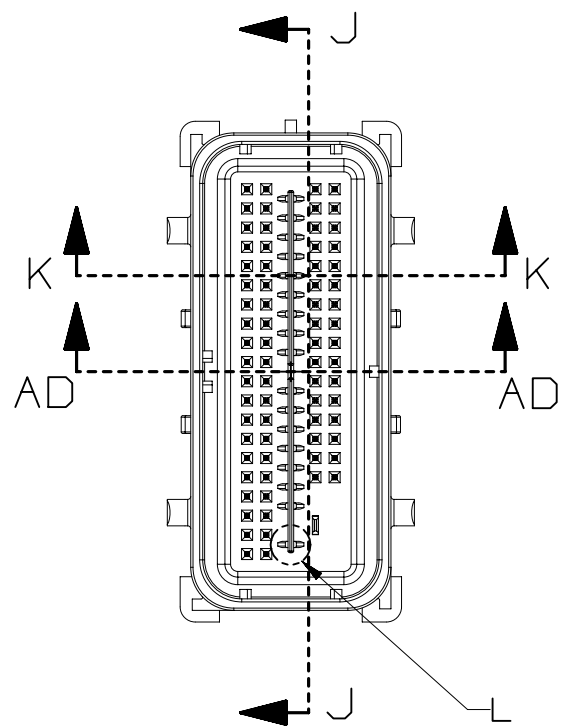




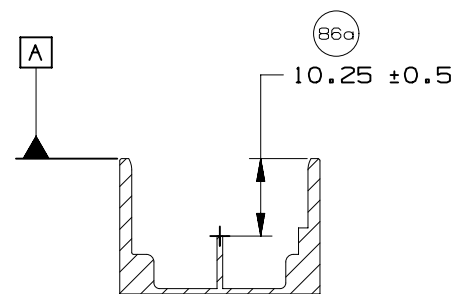
PAGE TITLE
 COMPONENT CONNECTOR INTERFACE

DRAWING NUMBER
 12672833

DWG STATUS			PAGE NUMBER	
ST	REV	PD1		
R	001		17	OF 22

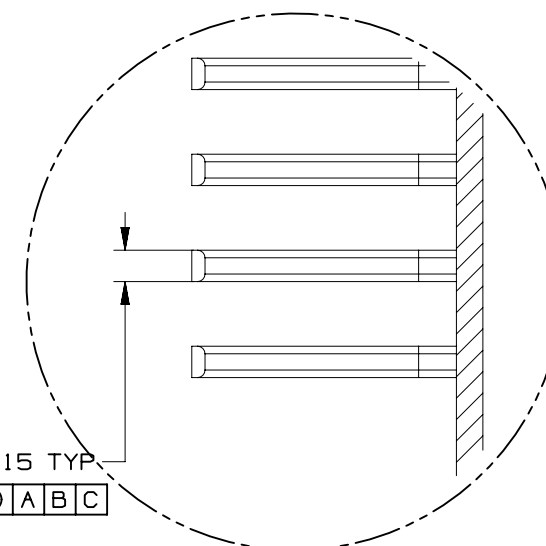


SECTION K-K



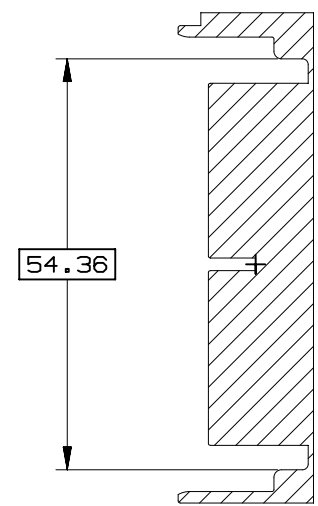
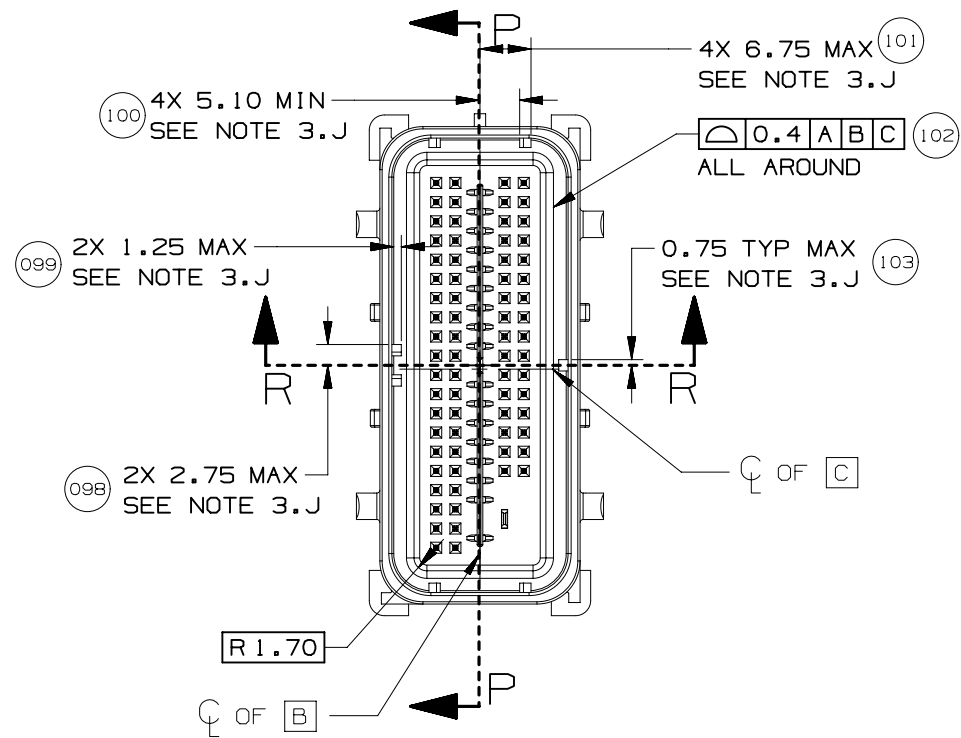
SECTION AD-AD

DETAIL M
TYPICAL
SCALE 4:1

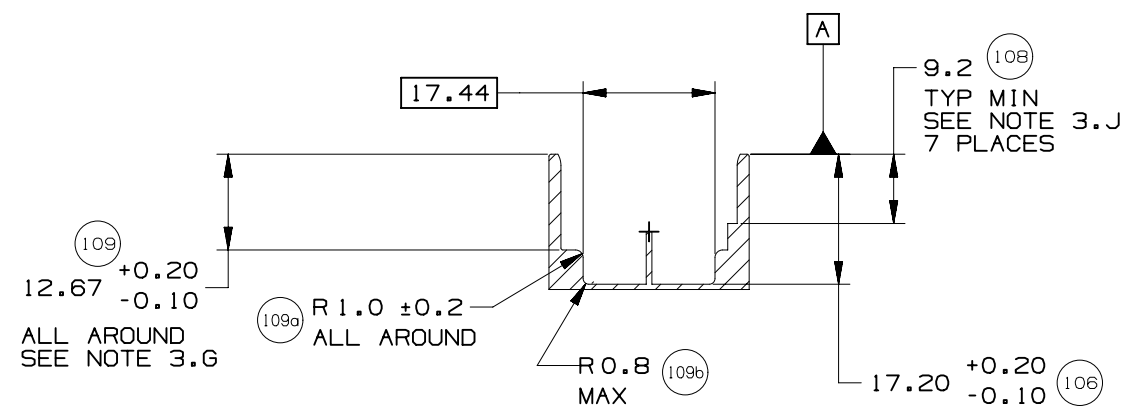


DETAIL N
SCALE 5:1





SECTION P-P



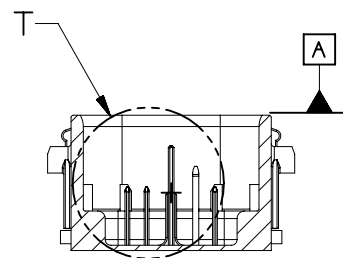
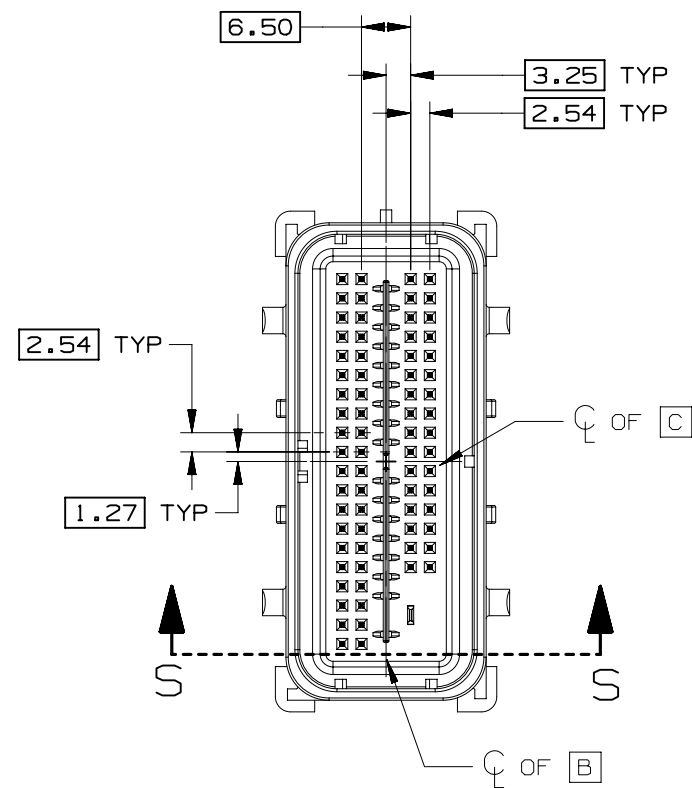
SECTION R-R



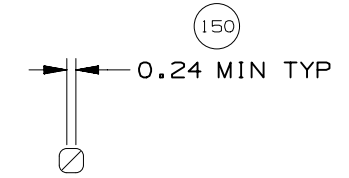
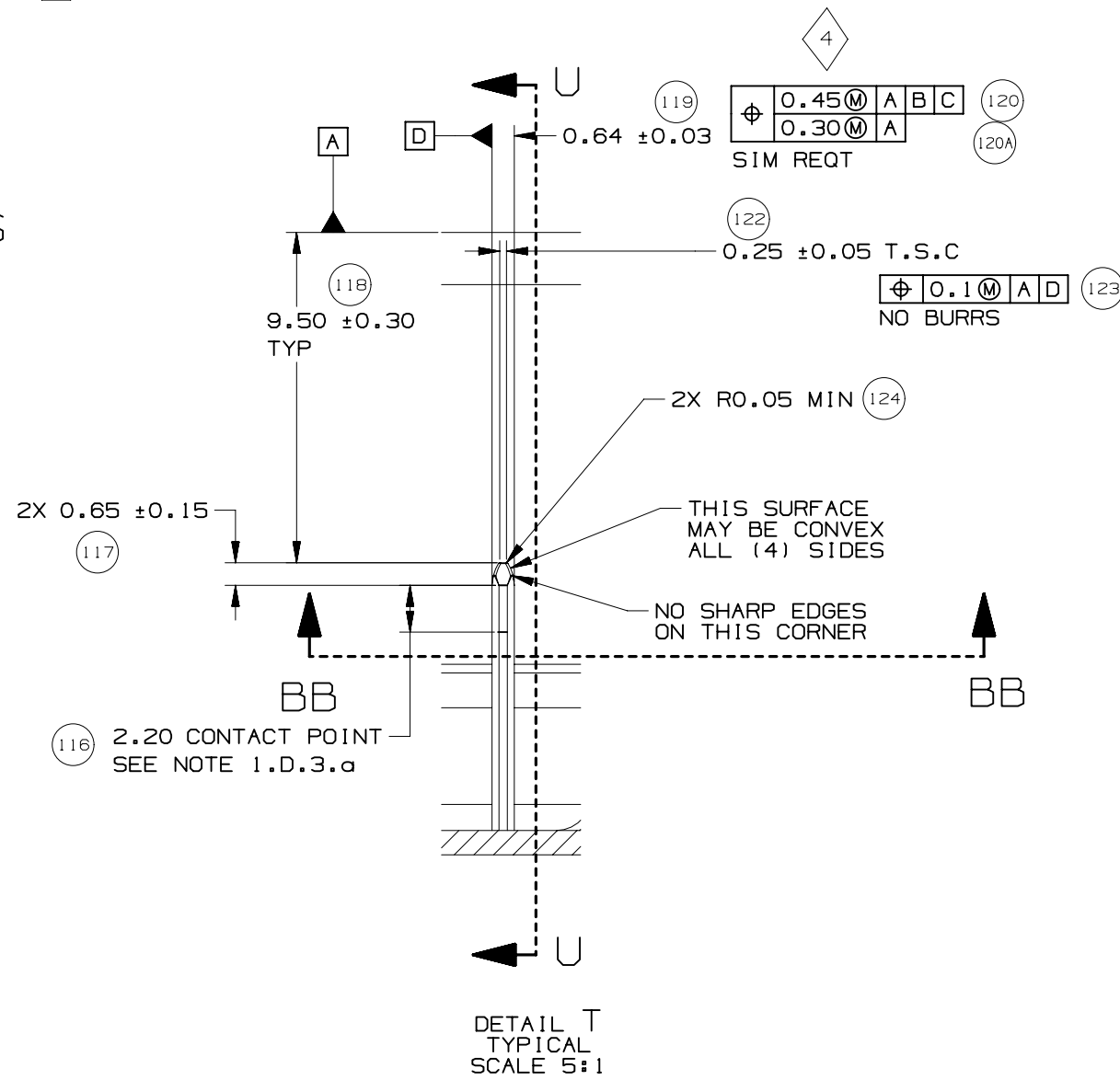
PAGE TITLE
COMPONENT CONNECTOR INTERFACE

DRAWING NUMBER
12672833

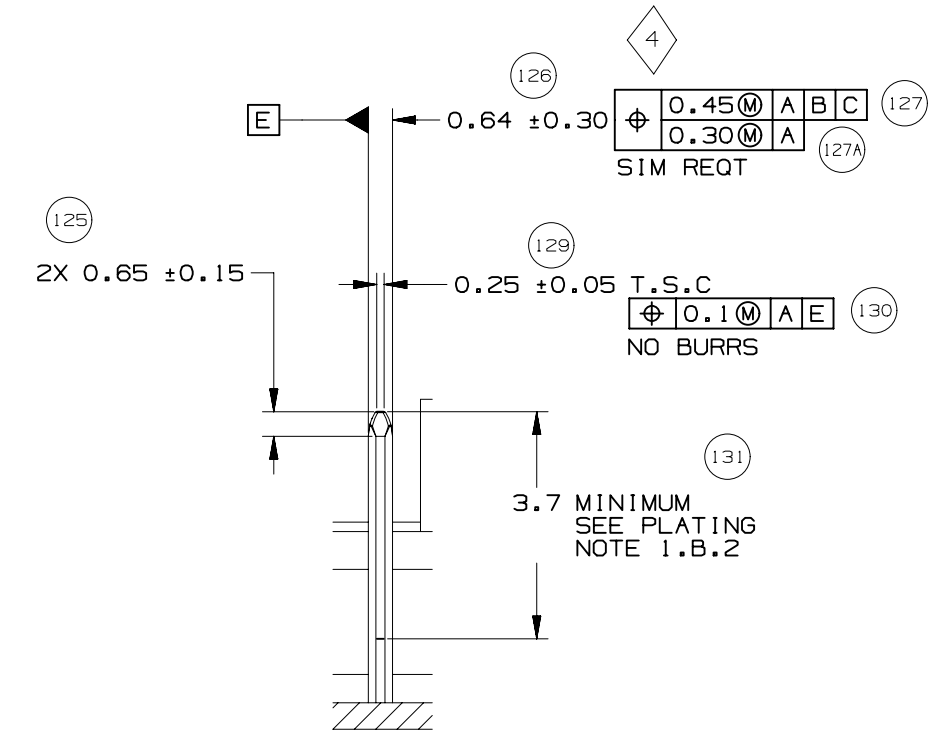
DWG STATUS			PAGE NUMBER
ST	REV	PD1	
R	001		19 OF 22



SECTION S-S

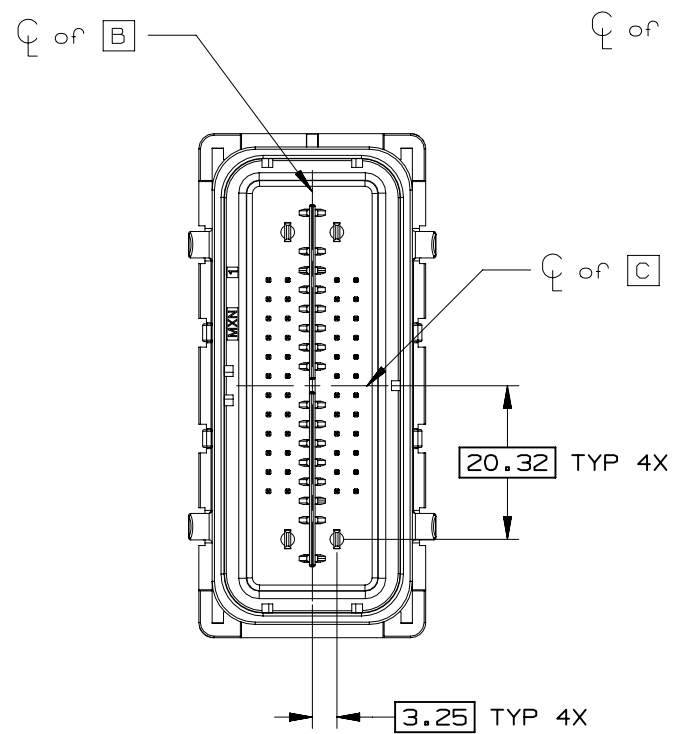


SECTION BB-BB

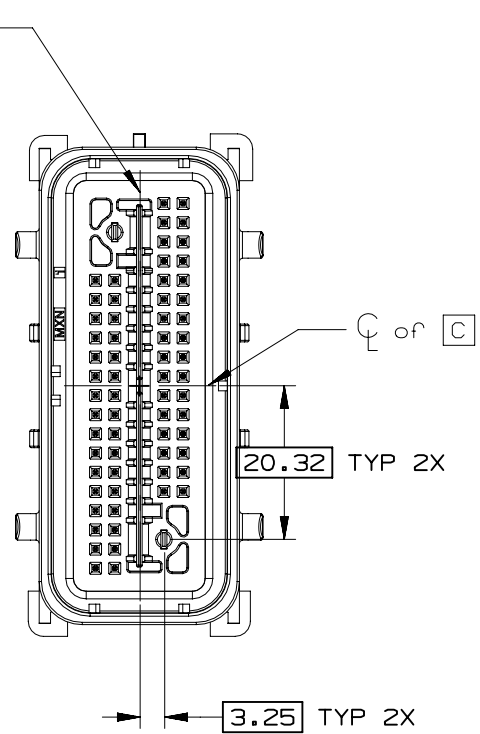


SECTION U-U
TYPICAL

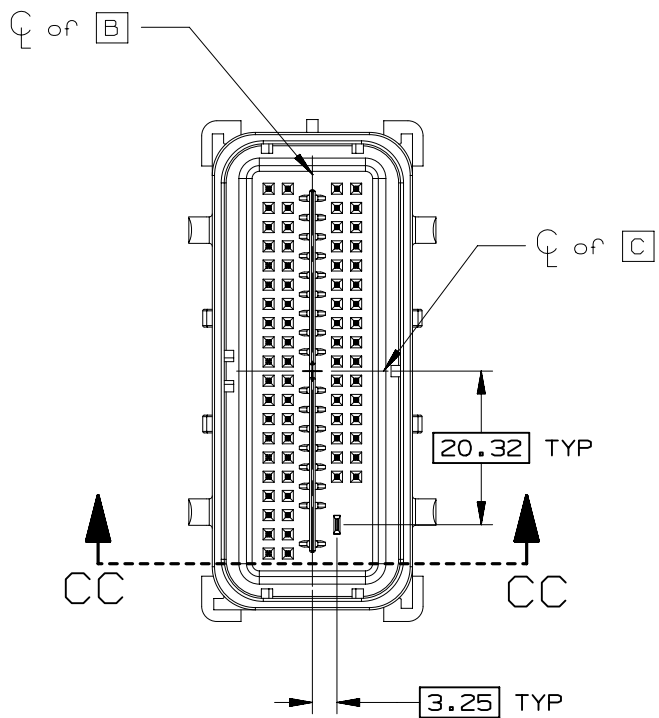




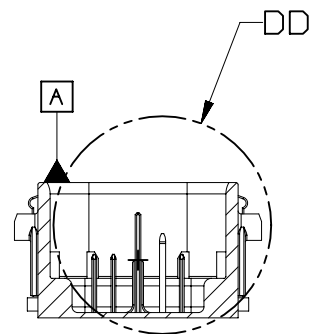
52 CKT COMPONENT
CONNECTOR INTERFACE



66 CKT COMPONENT
CONNECTOR INTERFACE

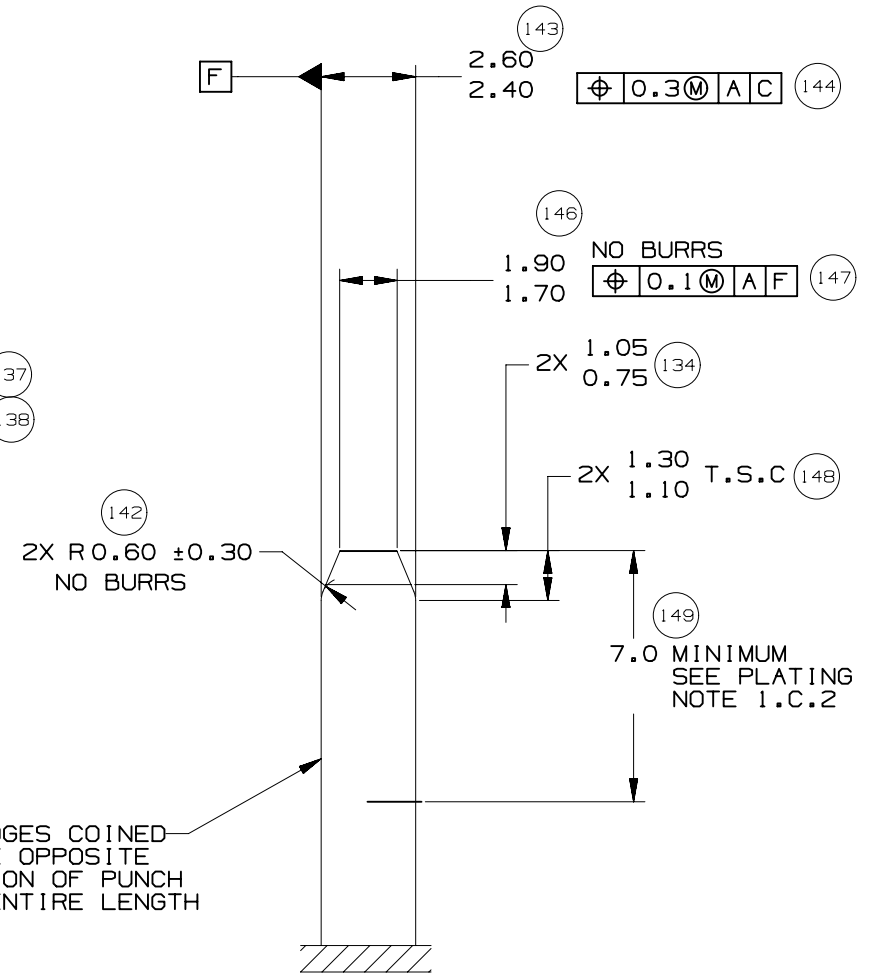
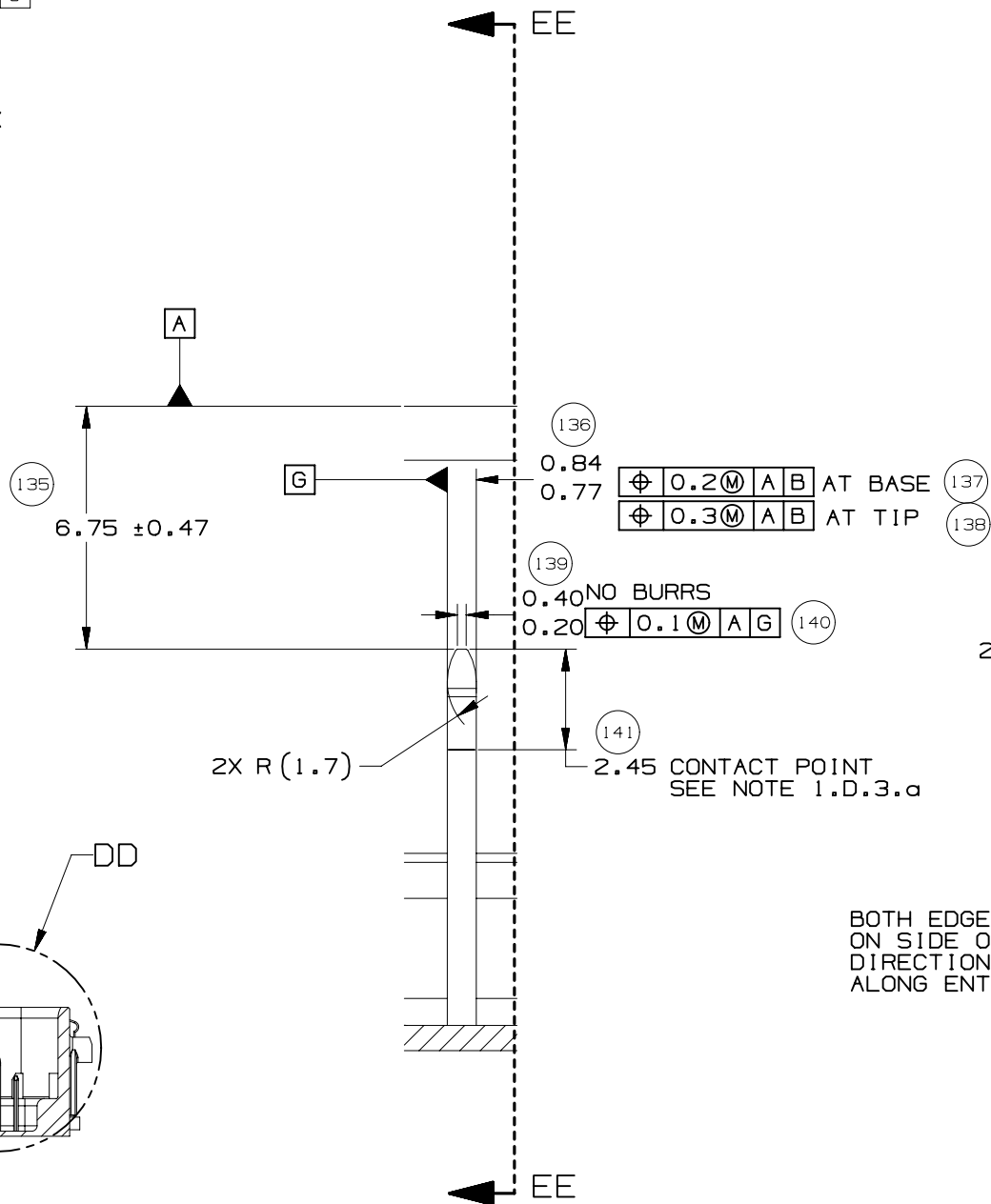


73 CKT COMPONENT
CONNECTOR INTERFACE



SECTION CC-CC

DETAIL DD
TYPICAL
SCALE 5:1



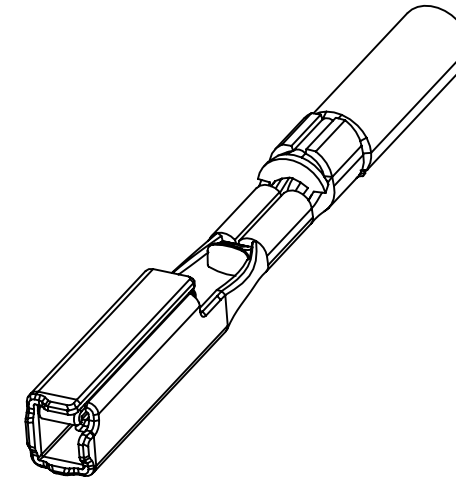
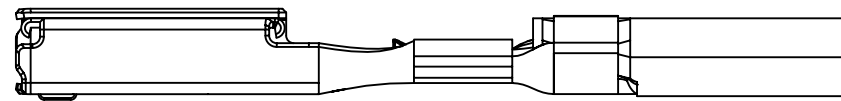
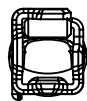
SECTION EE-EE
TYPICAL

BOTH EDGES COINED
ON SIDE OPPOSITE
DIRECTION OF PUNCH
ALONG ENTIRE LENGTH



MOLEX MX64 RECEPTACLE TERMINAL INFORMATION

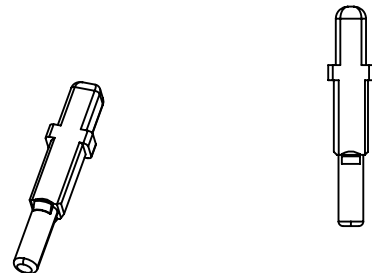
ITEM	MOLEX P/N	GM P/N	WIRE SIZE MM2	TYPE	PLATING	REEL WIND DIRECTION	COMMENTS
1	34736-0025		0.35	ISO	SILVER	LEFT	
2	34736-0026	12672850	0.35	ISO	SILVER	RIGHT	
3	34736-0027		0.5 / 0.75	ISO	SILVER	LEFT	
4	34736-0028	12672851	0.5 / 0.75	ISO	SILVER	RIGHT	



CAVITY PLUGS

ITEM	MFG	MFG P/N	GM P/N RD	SIZE	COLOR	MFG DRAWING	PROD SPEC	APP SPEC	COMMENTS
1	MOLEX	34586-0001	12674820	0.64	NATURAL	SD-34586-001	PS-34566-0000	AS-34566-001	
2	YAZAKI	7158-3114-90	12674821	2.8	BLUE	7158-3114-90	YPES-11-04-062	YPES-15-299	

ITEM 1



ITEM 2

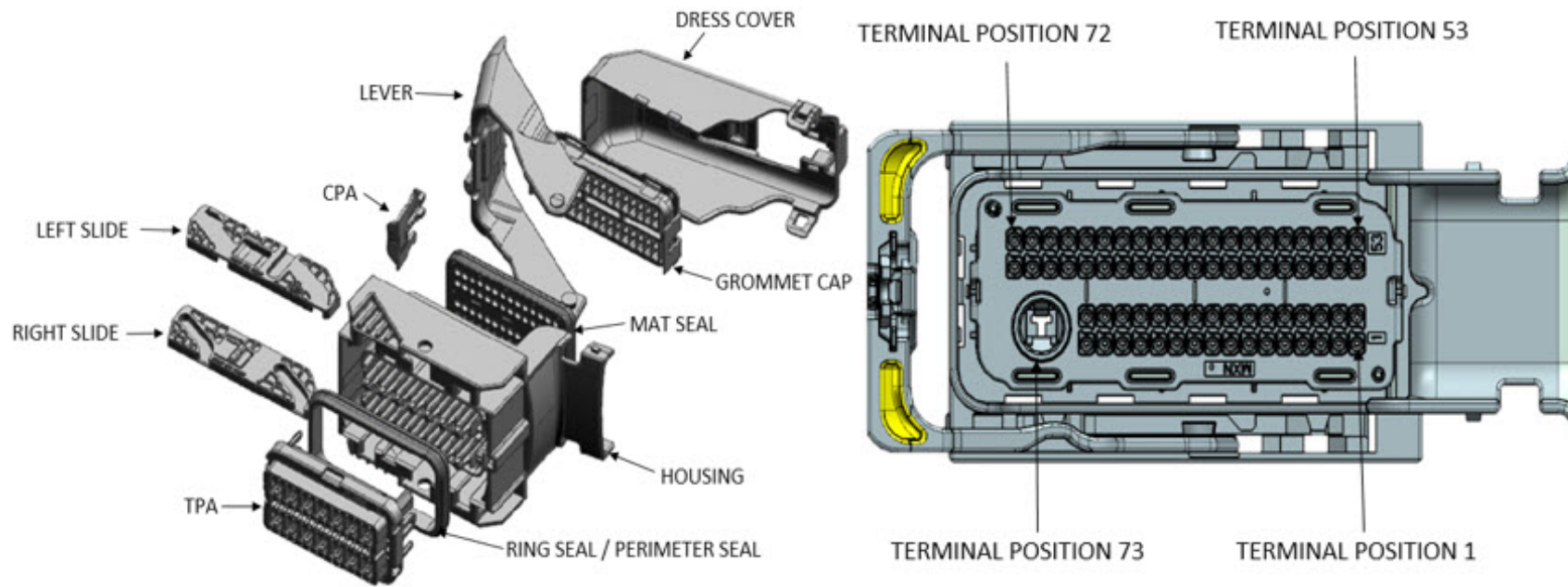


PAGE TITLE
ADDITIONAL COMPONENTS REQUIRED

DRAWING NUMBER
12672833

DWG STATUS		
ST	REV	PD1
R	001	

PAGE NUMBER
22 OF 22



ABBREVIATION	DESCRIPTION	COLOR	MATERIAL
G-CAP-0-P	GROMMET CAP OPTION 0 PLUGGED	BLACK	SPS/PA, G.F 30%
G-CAP-0-O	GROMMET CAP OPTION 0 ALL OPEN	BLACK	SPS/PA, G.F 30%
G-CAP-9-P	GROMMET CAP OPTION 9 PLUGGED	BLACK	SPS/PA, G.F 30%
G-CAP-9-O	GROMMET CAP OPTION 9 ALL OPEN	BLACK	SPS/PA, G.F 30%
C-HSG-A0	CONNECTOR HOUSING KEY A - WDC OPT 0	BLACK	SPS/PA, G.F 30%
C-HSG-B0	CONNECTOR HOUSING KEY B - WDC OPT 0	BLACK	SPS/PA, G.F 30%
C-HSG-C0	CONNECTOR HOUSING KEY C - WDC OPT 0	BLACK	SPS/PA, G.F 30%
C-HSG-D0	CONNECTOR HOUSING KEY D - WDC OPT 0	BLACK	SPS/PA, G.F 30%
C-HSG-E0	CONNECTOR HOUSING KEY E - WDC OPT 0	BLACK	SPS/PA, G.F 30%
C-HSG-F0	CONNECTOR HOUSING KEY F - WDC OPT 0	BLACK	SPS/PA, G.F 30%
C-HSG-A9	CONNECTOR HOUSING KEY A - WDC OPT 9	BLACK	SPS/PA, G.F 30%
C-HSG-B9	CONNECTOR HOUSING KEY B - WDC OPT 9	BLACK	SPS/PA, G.F 30%
C-HSG-C9	CONNECTOR HOUSING KEY C - WDC OPT 9	BLACK	SPS/PA, G.F 30%
C-HSG-D9	CONNECTOR HOUSING KEY D - WDC OPT 9	BLACK	SPS/PA, G.F 30%
C-HSG-E9	CONNECTOR HOUSING KEY E - WDC OPT 9	BLACK	SPS/PA, G.F 30%
C-HSG-F9	CONNECTOR HOUSING KEY F - WDC OPT 9	BLACK	SPS/PA, G.F 30%
TPA-A0	TERMINAL POSITION ASSURANCE (TPA) OPTION 0	BLACK	SPS/PA, G.F 30%
TPA-B0	TERMINAL POSITION ASSURANCE (TPA) OPTION 0	STONE GRAY	SPS/PA, G.F 30%
TPA-C0	TERMINAL POSITION ASSURANCE (TPA) OPTION 0	BLUE	SPS/PA, G.F 30%
TPA-D0	TERMINAL POSITION ASSURANCE (TPA) OPTION 0	BROWN	SPS/PA, G.F 30%
TPA-E0	TERMINAL POSITION ASSURANCE (TPA) OPTION 0	GREEN	SPS/PA, G.F 30%
TPA-F0	TERMINAL POSITION ASSURANCE (TPA) OPTION 0	NATURAL	SPS/PA, G.F 30%
TPA-A0-1	TERMINAL POSITION ASSURANCE (TPA) OPTION 0	BLACK	SPS/PA, G.F 30%
TPA-B0-1	TERMINAL POSITION ASSURANCE (TPA) OPTION 0	STONE GRAY	SPS/PA, G.F 30%
TPA-C0-1	TERMINAL POSITION ASSURANCE (TPA) OPTION 0	BLUE	SPS/PA, G.F 30%
TPA-A9	TERMINAL POSITION ASSURANCE (TPA) OPTION 9	BLACK	SPS/PA, G.F 30%
TPA-B9	TERMINAL POSITION ASSURANCE (TPA) OPTION 9	STONE GRAY	SPS/PA, G.F 30%
TPA-C9	TERMINAL POSITION ASSURANCE (TPA) OPTION 9	BLUE	SPS/PA, G.F 30%
TPA-D9	TERMINAL POSITION ASSURANCE (TPA) OPTION 9	BROWN	SPS/PA, G.F 30%
TPA-E9	TERMINAL POSITION ASSURANCE (TPA) OPTION 9	GREEN	SPS/PA, G.F 30%
TPA-F9	TERMINAL POSITION ASSURANCE (TPA) OPTION 9	NATURAL	SPS/PA, G.F 30%
MAL	MATE ASSIST LEVER	BLACK	SPS/NYLON GF30
RS	SLIDE - RIGHT	BLACK	PBT W/PTFE, G.F. 30%
LS	SLIDE - LEFT	BLACK	PBT W/PTFE, G.F. 30%
CVRBLACK	DRESS COVER BLACK	BLACK	PBT, G.F. 30%
CVRGRAY	DRESS COVER GRAY	GRAY	PBT, G.F. 30%
CVRBLUE	DRESS COVER BLUE	BLUE	PBT, G.F. 30%
CVRBROWN	DRESS COVER BROWN	BROWN	PBT, G.F. 30%
CVRGREEN	DRESS COVER GREEN	GREEN	PBT, G.F. 30%
CVRNATURAL	DRESS COVER NATURAL	NATURAL	PBT, G.F. 30%
CVRYELLOW	DRESS COVER YELLOW	YELLOW	PBT, G.F. 30%
CPA	CONNECTOR POSITION ASSURANCE (CPA)	RED	PPE/PA 10% GF
MSEAL	MAT SEAL	RUST RED	INHERENTLY LUBRICATED SILICONE RUBBER
RSEAL	RING SEAL	RUST RED	INHERENTLY LUBRICATED SILICONE RUBBER

FOR ADDITIONAL INFORMATION SEE SD-34566-001

ASSEMBLY DESCRIPTION	ASSEMBLY PART NUMBER	CONNECTOR HOUSING	GROMMET CAP	TPA	RIGHT SLIDE	LEFT SLIDE	MATE ASSIST LEVER	CPA	MAT SEAL	RING SEAL	BLOCKED TERMINALS																STATUS	COMMENTS	INTEGRAL COMPONENTS SOLD SEPARATELY									
											CAVITY WITH A NUMBER INDICATES BLOCKED TERMINAL POSITION CAVITY WITHOUT A NUMBER INDICATES OPEN TERMINAL POSITION																											
											DRESS COVER																											
MX123 CONN ASSY 73 CKT BLK OPT0 KEY A/54	345660004	C-HSG-A0	G-CAP-0-P	TPA-A0	RS	LS	MAL	CPA	MSEAL	RSEAL	-	-	-	-	68	-	66	65	-	-	62	-	-	-	58	-	-	-	-	-								
											-	-	50	49	-	47	46	-	-	42	-	-	-	-	-	-	-	-	-	-	-	-	-	-	-	-	-	-
											-	-	-	-	-	-	-	-	28	-	-	-	24	23	-	21	20	-	-	17	-	-	-	-	-	-	-	-
											-	-	-	-	-	-	-	-	-	-	-	-	-	-	-	-	4	3	-	-	-	-	-	-	-	-	-	-
MX123 CONN ASSY 73 CKT BLK OPT0 KEY A/52	345660044	C-HSG-A0	G-CAP-0-P	TPA-A0	RS	LS	MAL	CPA	MSEAL	RSEAL	-	-	-	-	68	-	66	65	-	63	62	-	-	-	58	-	-	-	-	-								
											-	-	50	49	-	47	46	-	-	42	-	-	-	-	-	-	-	-	-	-	-	-	-	-	-	-		
											-	-	-	-	-	-	-	-	28	-	-	-	24	23	-	21	20	-	-	17	-	-	-	-	-	-	-	-
											-	-	-	-	-	-	-	-	-	-	-	-	-	-	-	-	-	4	-	-	1	-	-	-	-	-	-	-
MX123 CONN ASSY 73 CKT BLK OPT0 KEY A/53	345660064	C-HSG-A0	G-CAP-0-P	TPA-A0	RS	LS	MAL	CPA	MSEAL	RSEAL	-	-	-	-	68	-	66	65	-	-	62	-	-	-	58	-	-	-	-	-								
											-	-	50	49	-	47	46	-	-	42	-	-	-	-	-	-	-	-	-	-	-	-	-	33	-	-		
											-	-	-	-	-	-	-	-	28	-	-	-	24	23	-	21	20	-	-	17	-	-	-	-	-	-	-	-
											-	-	-	-	-	-	-	-	-	-	-	-	-	-	-	-	-	4	3	-	-	-	-	-	-	-	-	-

ASSEMBLY DESCRIPTION	ASSEMBLY PART NUMBER	CONNECTOR HOUSING	GROMMET CAP	TPA	RIGHT SLIDE	LEFT SLIDE	MATE ASSIST LEVER	CPA	MAT SEAL	RING SEAL	BLOCKED TERMINALS																		STATUS	COMMENTS	INTEGRAL COMPONENTS SOLD SEPARATELY				
											CAVITY WITH A NUMBER INDICATES BLOCKED TERMINAL POSITION CAVITY WITHOUT A NUMBER INDICATES OPEN TERMINAL POSITION																				DRESS COVER				
MX123 CONN ASSY 73 CKT BLK OPT0 KEY A/48	345660084	C-HSG-A0	G-CAP-0-P	TPA-A0	RS	LS	MAL	CPA	MSEAL	RSEAL	72	71	-	-	68	-	66	65	-	63	62	-	-	-	58	-	-	-	-	-					
											-	-	50	49	-	47	46	-	-	43	42	-	-	-	-	-	-	-	-	-	-	-	-	-	-
															32	-	-	-	28	-	-	-	24	23	-	21	20	-	18	17					
MX123 CONN ASSY 73 CKT GRY OPT0 KEY B/61	345660094	C-HSG-B0	G-CAP-0-P	TPA-B0	RS	LS	MAL	CPA	MSEAL	RSEAL	-	-	-	-	-	-	66	-	-	-	-	-	-	-	58	-	-	-	-	-					
											-	-	-	-	-	-	-	-	-	-	-	-	41	-	-	38	37	-	-	-	-	-	-	-	-
															-	-	-	-	-	-	-	-	-	-	-	-	20	19	18	17					
MX123 CONN ASSY 73 CKT GRY OPT0 KEY B/58	345660104	C-HSG-B0	G-CAP-0-P	TPA-B0	RS	LS	MAL	CPA	MSEAL	RSEAL	-	-	-	-	-	-	66	-	-	-	-	-	-	-	58	-	-	-	-	-					
											52	51	-	-	-	-	-	45	-	-	-	41	-	-	38	37	-	-	-	-	-	-	-	-	-
															-	-	-	-	-	-	-	-	-	-	-	20	19	18	17						
MX123 CONN ASSY 73 CKT GRY OPT0 KEY B/46	345660114	C-HSG-B0	G-CAP-0-P	TPA-B0	RS	LS	MAL	CPA	MSEAL	RSEAL	-	-	-	-	68	67	66	65	-	-	62	-	60	59	-	-	-	-	54	53					
											-	-	-	-	48	47	46	45	44	-	42	41	40	39	-	-	-	-	35	34	-	-	-	-	-
															-	31	-	-	-	27	-	-	-	-	-	-	-	19	18	17					
MX123 CONN ASSY 73 CKT GRY OPT0 KEY B/26	345660124	C-HSG-B0	G-CAP-0-P	TPA-B0	RS	LS	MAL	CPA	MSEAL	RSEAL	-	71	70	69	68	67	66	65	64	63	-	-	-	-	58	57	56	-	54	53					
											-	51	50	49	-	-	-	45	44	43	42	41	-	39	38	37	36	35	34	-	-	-	-	-	-
															32	31	-	29	28	27	26	25	24	23	-	-	-	-	-	-	-	-	-	-	2
MX123 CONN ASSY 73 CKT GRY OPT0 KEY B/30	345660134	C-HSG-B0	G-CAP-0-P	TPA-B0	RS	LS	MAL	CPA	MSEAL	RSEAL	-	71	70	69	68	67	66	65	64	63	-	-	-	-	58	57	56	-	54	53					
											-	51	50	49	-	-	-	45	44	43	42	-	-	39	-	-	-	-	34	33	-	-	-	-	-
															32	31	-	29	28	27	26	25	24	23	-	-	-	-	-	-	17				
MX123 CONN ASSY 73 CKT GRY OPT9 KEY B/14	345660144	C-HSG-B9	G-CAP-9-P	TPA-B9	RS	LS	MAL	CPA	MSEAL	RSEAL	72	71	70	69	68	67	-	65	64	63	62	61	60	59	-	57	56	55	54	53					
											52	51	50	49	48	47	46	45	44	43	42	-	40	39	-	-	36	35	34	33	-	-	-	-	-
															32	31	30	29	28	27	26	25	24	23	22	21	-	-	-	-	-	-	-	3	2
MX123 CONN ASSY 73 CKT GRY OPT9 KEY B/62	345660154	C-HSG-B9	G-CAP-9-P	TPA-B9	RS	LS	MAL	CPA	MSEAL	RSEAL	-	-	-	-	-	-	-	-	-	-	-	-	-	-	58	-	-	-	-	-					
											-	-	-	-	-	-	-	-	-	-	-	-	41	-	-	38	37	-	-	-	-	-	-	-	-
															-	-	-	-	-	-	-	-	-	-	-	-	20	19	18	17					
MX123 CONN ASSY 73 CKT GRY OPT9 KEY B/34	345660174	C-HSG-B9	G-CAP-9-P	TPA-B9	RS	LS	MAL	CPA	MSEAL	RSEAL	-	-	-	69	68	-	-	65	64	63	62	61	-	59	58	-	56	55	54	-					
											-	-	-	49	48	-	-	45	44	43	42	41	40	-	38	-	36	-	34	-	-	-	-	-	-
															32	31	-	-	-	27	26	-	-	-	-	21	-	-	18	-	-	-	-	-	-
MX123 CONN ASSY 73 CKT GRY OPT9 KEY B/52	345660184	C-HSG-B9	G-CAP-9-P	TPA-B9	RS	LS	MAL	CPA	MSEAL	RSEAL	-	-	-	-	-	-	-	-	-	-	62	-	60	59	-	-	-	-	-						
											-	-	-	-	-	-	-	-	-	-	-	-	-	39	38	-	-	35	34	33	-	-	-	-	-
															-	31	-	-	-	27	-	-	-	23	22	-	20	19	18	17					
MX123 CONN ASSY 73 CKT BLU OPT0 KEY C/40	345660194	C-HSG-C0	G-CAP-0-P	TPA-C0	RS	LS	MAL	CPA	MSEAL	RSEAL	-	-	-	-	68	-	-	-	-	63	62	61	60	59	58	57	-	55	54	53					
											-	-	-	-	48	-	-	-	-	43	42	41	40	-	38	37	36	35	34	33	-	-	-	-	-
															32	-	-	29	-	27	-	-	-	-	-	-	-	19	18	17					

ASSEMBLY DESCRIPTION	ASSEMBLY PART NUMBER	CONNECTOR HOUSING	GROMMET CAP	TPA	RIGHT SLIDE	LEFT SLIDE	MATE ASSIST LEVER	CPA	MAT SEAL	RING SEAL	BLOCKED TERMINALS																				STATUS	COMMENTS	INTEGRAL COMPONENTS SOLD SEPARATELY						
											CAVITY WITH A NUMBER INDICATES BLOCKED TERMINAL POSITION																						DRESS COVER						
											CAVITY WITHOUT A NUMBER INDICATES OPEN TERMINAL POSITION																												
MX123 CONN ASSY 73 CKT GRY OPT0 KEY B/46	345660514	C-HSG-B0	G-CAP-0-P	TPA-B0	RS	LS	MAL	CPA	MSEAL	RSEAL	-	-	-	-	-	-	-	-	-	-	-	-	62	-	60	59	-	-	-	-	54	53	SALEABLE		345650003				
											-	-	-	-	-	-	-	-	-	-	-	42	41	-	39	38	-	-	35	34	33								
																					-	31	-	-	-	27	-	-	-	23	22	-				20	19	18	17
																					-	15	-	-	12	-	-	-	-	7	-	-				4	3	2	1
MX123 CONN ASSY 73 CKT BLK OPT0 KEY A/30	345660524	C-HSG-A0	G-CAP-0-P	TPA-A0	RS	LS	MAL	CPA	MSEAL	RSEAL	-	-	-	69	68	-	-	65	64	63	62	61	60	59	58	57	56	55	54	-	SALEABLE		345650003						
											-	-	-	49	48	-	-	45	44	43	42	41	40	-	38	-	36	-	34	-									
																					32	31	-	-	-	-	-	25	24	23				22	21	20	19	18	-
																					16	15	14	-	-	-	-	9	-	-				6	5	4	-	2	-
MX123 CONN ASSY 73 CKT BLK OPT9 KEY A/46	345660534	C-HSG-A9	G-CAP-9-P	TPA-A9	RS	LS	MAL	CPA	MSEAL	RSEAL	-	-	-	-	-	-	-	65	-	63	-	61	-	59	58	57	-	-	-	-	53	SALEABLE		345650003					
											-	-	-	-	-	-	-	-	-	48	-	-	-	-	43	42	41	-	-	38	37				-	-	34	-	
																					32	31	30	29	28	-	-	-	-	23	22				-	-	19	-	17
																					-	15	-	-	-	11	-	-	-	7	-				-	-	-	2	-
MX123 CONN ASSY 73 CKT GRY OPT9 KEY B/59	345660544	C-HSG-B9	G-CAP-9-P	TPA-B9	RS	LS	MAL	CPA	MSEAL	RSEAL	-	-	-	-	-	-	66	-	-	-	62	-	-	-	58	-	-	-	-	-	SALEABLE		345650003						
											-	-	-	-	-	-	-	-	-	-	-	-	-	41	-	-	38	37	-	-				-	-	-	-		
																					-	-	-	-	-	-	-	-	-	-				-	-	20	19	18	17
																					-	-	-	-	-	-	-	8	-	-				5	4	-	-	1	
MX123 CONN ASSY 73 CKT NAT OPT0 KEY F/73	345660603	C-HSG-F0	G-CAP-0-P	TPA-F0	RS	LS	MAL	CPA	MSEAL	RSEAL	-	-	-	-	-	-	-	-	-	-	-	-	-	-	-	-	-	-	-	SALEABLE		345650003							
											-	-	-	-	-	-	-	-	-	-	-	-	-	-	-	-	-	-	-				-	-	-	-	-		
																					-	-	-	-	-	-	-	-	-				-	-	-	-	-	-	-
																					-	-	-	-	-	-	-	-	-				-	-	-	-	-	-	-
MX123 CONN ASSY 73 CKT BLK OPT9 KEY A/38	345660604	C-HSG-A9	G-CAP-9-P	TPA-A9	RS	LS	MAL	CPA	MSEAL	RSEAL	-	-	-	69	68	-	-	-	-	-	-	-	60	-	58	57	56	-	54	-	SALEABLE		345650003						
											-	-	-	49	48	-	-	-	-	-	-	-	40	-	-	-	-	35	34	-									
																					32	31	-	-	28	27	26	25	24	23				22	21	20	19	18	-
																					16	15	14	-	12	11	10	9	-	-				-	5	4	-	2	-
MX123 CONN ASSY 73 CKT GRY OPT0 KEY B/43	345660624	C-HSG-B0	G-CAP-0-P	TPA-B0	RS	LS	MAL	CPA	MSEAL	RSEAL	-	-	-	-	68	67	66	65	64	-	62	-	60	59	-	-	-	-	54	53	SALEABLE		345650003						
											-	-	-	-	48	47	46	-	44	-	42	-	40	39	-	-	-	35	34	-									
																					-	31	-	-	-	27	-	-	-	-				-	-	-	19	18	17
																					-	15	14	-	-	11	-	-	-	-				-	-	-	3	2	1
MX123 CONN ASSY 73 CKT BLK OPT9 KEY A/42	345660634	C-HSG-A9	G-CAP-9-P	TPA-A9	RS	LS	MAL	CPA	MSEAL	RSEAL	72	71	-	-	68	-	66	65	-	63	62	-	-	-	58	-	-	-	-	-	SALEABLE		345650003						
											-	-	50	49	-	47	46	-	-	43	42	-	40	-	-	-	-	-	-	-									
																					32	31	-	29	-	-	-	-	24	23				-	21	20	-	18	17
																					16	-	-	-	-	-	-	9	-	7				6	-	4	3	-	1
MX123 CONN ASSY 73 CKT BLK OPT9 KEY A/43	345660654	C-HSG-A9	G-CAP-9-P	TPA-A9	RS	LS	MAL	CPA	MSEAL	RSEAL	72	71	-	-	68	-	66	65	-	63	62	-	-	-	58	-	-	-	-	-	SALEABLE		345650003						
											-	-	50	49	-	47	46	-	-	43	42	-	40	-	-	-	-	-	-	33									
																					32	31	-	29	-	-	-	-	24	23				-	-	20	-	18	17
																					16	-	-	-	-	-	-	9	-	-				6	-	4	3	-	1
MX123 CONN ASSY 73 CKT GRY OPT9 KEY B/50	345660674	C-HSG-B9	G-CAP-9-P	TPA-B9	RS	LS	MAL	CPA	MSEAL	RSEAL	-	-	-	-	-	-	66	65	-	-	62	-	60	59	-	-	-	-	54	53	SALEABLE		345650003						
											-	-	-	-	-	-	46	45	-	-	42	-	40	39	-	-	-	35	34	33									
																					-	31	-	-	-	27	-	-	-	-				-	-	-	-	18	17
																					-	-	-	-	-	11	-	-	-	-				-	-	-	3	2	1
MX123 CONN ASSY 73 CKT BLK OPT0 KEY A/24	345660724	C-HSG-A0	G-CAP-0-P	TPA-A0	RS	LS	MAL	CPA	MSEAL	RSEAL	72	71	70	69	-	67	-	-	64	-	-	61	60	59	-	57	56	55	54	53	SALEABLE		345650003						
											52	51	-	-	48	-	-	45	44	-	-	41	40	39	38	37	36	35	34	-									
																					-	31	30	29	-	27	26	25	-	-				22	-	-	19	18	-
																					16	15	14	13	12	11	10	9	8	7				6	5	-	-	2	-
MX123 CONN ASSY 73 CKT BLK OPT0 KEY A/31	345661013	C-HSG-A0	G-CAP-0-P	TPA-A0	RS	LS	MAL	CPA	MSEAL	RSEAL	72	-	70	-	-	67	66	-	-	-	62	-	60	-	-	-	-	55	54	53	SALEABLE		345650003						
											-	51	-	-	48	-	46	45	44	43	42	-	40	39	-	-	-	35	-	-									
																					-	-	-	-	-	-	26	25	-	-				22	21	-	-	-	
																					-	15	14	-	-	-	-	-	8	7				6	5	4	-	-	-

ASSEMBLY DESCRIPTION	ASSEMBLY PART NUMBER	CONNECTOR HOUSING	GROMMET CAP	TPA	RIGHT SLIDE	LEFT SLIDE	MATE ASSIST LEVER	CPA	MAT SEAL	RING SEAL	BLOCKED TERMINALS																		STATUS	COMMENTS	INTEGRAL COMPONENTS SOLD SEPARATELY		
											CAVITY WITH A NUMBER INDICATES BLOCKED TERMINAL POSITION																				DRESS COVER		
											CAVITY WITHOUT A NUMBER INDICATES OPEN TERMINAL POSITION																						
MX123 CONN ASSY 73 CKT BLK OPT0 KEY A/34	345661023	C-HSG-A0	G-CAP-0-P	TPA-A0	RS	LS	MAL	CPA	MSEAL	RSEAL	72	71	-	69	68	-	-	-	64	63	62	61	60	59	-	-	56	-	-	53	SALEABLE		345650003
											52	51	-	-	48	-	46	45	-	-	-	-	40	-	38	-	36	-	34	33			
											-																						
MX123 CONN ASSY 73 CKT BLK OPT0 KEY A/32	345661033	C-HSG-A0	G-CAP-0-P	TPA-A0	RS	LS	MAL	CPA	MSEAL	RSEAL	-	71	-	69	68	-	-	-	64	63	62	61	60	59	-	-	56	-	-	53	SALEABLE		345650003
											52	51	-	-	48	-	46	45	-	-	-	-	40	-	38	-	36	-	34	33			
											-																						
MX123 CONN ASSY 73 CKT GRY OPT0 KEY B/30	345661043	C-HSG-B0	G-CAP-0-P	TPA-B0	RS	LS	MAL	CPA	MSEAL	RSEAL	72	-	-	69	-	67	-	-	64	63	62	61	60	-	-	-	56	55	-	-	SALEABLE		345650003
											52	-	-	-	-	47	-	-	44	-	42	-	-	-	-	-	-	-	34	-			
											-																						
MX123 CONN ASSY 73 CKT GRY OPT0 KEY B/50	345661063	C-HSG-B0	G-CAP-0-P	TPA-B0	RS	LS	MAL	CPA	MSEAL	RSEAL	72	71	70	69	68	67	66	-	64	63	62	61	-	-	58	-	-	54	-	SALEABLE		345650003	
											52	51	50	-	-	-	46	45	-	43	42	41	-	-	38	-	-	-	34				-
											-																						
MX123 CONN ASSY 73 CKT BLK OPT0 KEY A/28	345661073	C-HSG-A0	G-CAP-0-P	TPA-A0	RS	LS	MAL	CPA	MSEAL	RSEAL	-	-	-	-	-	-	-	-	-	62	-	60	-	-	-	-	55	-	53	SALEABLE		345650003	
											52	51	-	-	-	-	46	45	44	43	-	-	40	39	-	-	-	35	-				-
											-																						
MX123 CONN ASSY 73 CKT GRY OPT0 KEY B/28	345661083	C-HSG-B0	G-CAP-0-P	TPA-B0	RS	LS	MAL	CPA	MSEAL	RSEAL	72	71	70	69	-	-	-	-	63	62	61	60	-	-	-	56	-	-	-	SALEABLE		345650003	
											52	-	-	-	-	47	-	-	44	-	-	-	-	-	-	-	36	-	34				-
											-																						
MX123 CONN ASSY 73 CKT BLK OPT0 KEY A/40	345661093	C-HSG-A0	G-CAP-0-P	TPA-A0	RS	LS	MAL	CPA	MSEAL	RSEAL	72	71	-	69	-	-	-	65	64	63	62	61	60	59	-	57	-	-	53	SALEABLE		345650003	
											52	51	50	-	48	-	46	45	-	-	-	-	40	-	38	-	-	35	-				33
											-																						
MX123 CONN ASSY 73 CKT BLK OPT0 KEY A/39	345661133	C-HSG-A0	G-CAP-0-P	TPA-A0	RS	LS	MAL	CPA	MSEAL	RSEAL	72	71	-	69	-	-	-	65	64	63	62	-	60	59	-	-	56	-	-	53	SALEABLE		345650003
											52	51	50	-	48	-	46	-	-	-	-	-	40	-	38	-	36	35	-	33			
											-																						
MX123 CONN ASSY 73 CKT BLK OPT0 KEY A/31	345661143	C-HSG-A0	G-CAP-0-P	TPA-A0	RS	LS	MAL	CPA	MSEAL	RSEAL	72	71	70	69	-	67	66	-	64	-	62	-	60	-	-	57	-	55	54	-	SALEABLE		345650003
											-	51	-	49	48	-	46	45	44	43	42	-	40	39	-	-	-	-	-	-			
											-																						
MX123 CONN ASSY 73 CKT BLK OPT0 KEY A/42	345661153	C-HSG-A0	G-CAP-0-P	TPA-A0	RS	LS	MAL	CPA	MSEAL	RSEAL	72	71	-	69	68	-	-	-	64	63	62	61	60	59	-	-	56	-	54	53	SALEABLE		345650003
											52	51	50	-	48	-	46	45	-	-	-	-	40	-	38	-	36	35	34	33			
											-																						
MX123 CONN ASSY 73 CKT BLK OPT0 KEY A/27	345661173	C-HSG-A0	G-CAP-0-P	TPA-A0	RS	LS	MAL	CPA	MSEAL	RSEAL	-	-	70	-	-	67	66	-	-	-	-	-	-	-	-	57	-	55	-	53	SALEABLE		345650003
											-	51	-	-	-	-	46	-	44	43	-	-	40	39	-	-	-	35	-	-			
											-																						
MX123 CONN ASSY 73 CKT GRY OPT0 KEY B/48	345661183	C-HSG-B0	G-CAP-0-P	TPA-B0	RS	LS	MAL	CPA	MSEAL	RSEAL	72	71	70	69	68	67	-	-	-	63	-	61	60	-	58	-	56	-	54	-	SALEABLE		345650003
											52	51	50	-	-	-	46	45	-	43	-	41	40	-	38	-	36	-	34	-			
											-																						

ASSEMBLY DESCRIPTION	ASSEMBLY PART NUMBER	CONNECTOR HOUSING	GROMMET CAP	TPA	RIGHT SLIDE	LEFT SLIDE	MATE ASSIST LEVER	CPA	MAT SEAL	RING SEAL	BLOCKED TERMINALS																		STATUS	COMMENTS	INTEGRAL COMPONENTS SOLD SEPARATELY
											CAVITY WITH A NUMBER INDICATES BLOCKED TERMINAL POSITION																				DRESS COVER
											CAVITY WITHOUT A NUMBER INDICATES OPEN TERMINAL POSITION																				
MX123 CONN ASSY 73 CKT BLK OPT0 KEY A/32	345661193	C-HSG-A0	G-CAP-0-P	TPA-A0	RS	LS	MAL	CPA	MSEAL	RSEAL	-	-	70	-	-	-	-	65	-	-	-	61	-	-	58	57	56	55	-	-	
											-	51	50	-	-	47	-	45	-	-	-	41	40	-	38	37	36	35	-	-	
											-																				
MX123 CONN ASSY 73 CKT BLK OPT0 KEY A/36	345661213	C-HSG-A0	G-CAP-0-P	TPA-A0	RS	LS	MAL	CPA	MSEAL	RSEAL	-	-	70	-	-	-	-	65	-	-	-	61	60	-	58	57	56	55	-	-	
											-	51	50	49	-	47	-	45	-	-	-	41	40	-	38	37	36	35	34	-	
											-																				
MX123 CONN ASSY 73 CKT GRY OPT0 KEY B/48	345661223	C-HSG-B0	G-CAP-0-P	TPA-B0	RS	LS	MAL	CPA	MSEAL	RSEAL	72	71	70	69	68	-	-	-	64	-	-	61	60	-	58	-	56	-	54	-	
											52	51	50	49	-	47	46	45	44	-	-	41	40	-	38	-	36	-	34	-	
											-																				
MX123 CONN ASSY 73 CKT GRY OPT0 KEY B/52	345661233	C-HSG-B0	G-CAP-0-P	TPA-B0	RS	LS	MAL	CPA	MSEAL	RSEAL	72	71	70	69	68	67	66	-	64	63	-	61	60	-	58	-	56	-	54	-	
											52	51	50	49	-	47	-	45	44	43	-	41	40	-	38	-	36	-	34	-	
											-																				
MX123 CONN ASSY 73 CKT GRY OPT0 KEY B/51	345661243	C-HSG-B0	G-CAP-0-P	TPA-B0	RS	LS	MAL	CPA	MSEAL	RSEAL	72	71	70	69	68	67	66	65	64	63	62	61	60	-	58	-	56	-	54	-	
											52	51	-	49	-	47	-	45	44	43	42	41	40	-	38	-	36	-	34	-	
											-																				
MX123 CONN ASSY 73 CKT GRY OPT9 KEY B/55	345661253	C-HSG-B9	G-CAP-9-P	TPA-B9	RS	LS	MAL	CPA	MSEAL	RSEAL	72	71	70	69	68	67	66	-	64	63	62	61	-	-	58	-	56	-	54	-	
											52	51	50	-	-	47	-	45	44	43	42	41	-	-	38	-	36	-	34	-	
											-																				
MX123 CONN ASSY 73 CKT BLK OPT9 KEY A/32	345661263	C-HSG-A9	G-CAP-9-P	TPA-A9	RS	LS	MAL	CPA	MSEAL	RSEAL	-	-	70	-	-	-	-	65	-	-	-	61	60	-	58	57	-	55	54	-	
											52	51	-	49	-	47	-	45	-	-	-	41	40	-	38	37	-	-	34	-	
											-																				
MX123 CONN ASSY 73 CKT BLK OPT0 KEY A/33	345661273	C-HSG-A0	G-CAP-0-P	TPA-A0	RS	LS	MAL	CPA	MSEAL	RSEAL	72	71	-	-	-	67	66	-	-	-	62	-	60	-	-	-	55	54	53		
											-	51	-	-	-	-	46	45	44	43	42	-	40	39	-	-	-	35	-	-	
											-																				
MX123 CONN ASSY 73 CKT BLK OPT0 KEY A/28	345661283	C-HSG-A0	G-CAP-0-P	TPA-A0	RS	LS	MAL	CPA	MSEAL	RSEAL	-	-	-	-	-	67	-	-	-	-	62	-	60	-	-	-	55	-	53		
											-	51	-	-	-	-	46	45	44	43	-	-	40	39	-	-	-	35	-	-	
											-																				
MX123 CONN ASSY 73 CKT BLK OPT0 KEY A/38	345661293	C-HSG-A0	G-CAP-0-P	TPA-A0	RS	LS	MAL	CPA	MSEAL	RSEAL	72	71	70	69	-	67	66	-	64	-	62	-	60	-	-	57	-	55	54	53	
											-	51	-	49	48	-	46	45	44	43	42	-	40	39	-	-	-	35	-	-	
											-																				
MX123 CONN ASSY 73 CKT BLK OPT9 KEY A/73	345661303	C-HSG-A9	G-CAP-9-P	TPA-A9	RS	LS	MAL	CPA	MSEAL	RSEAL	-	-	-	-	-	-	-	-	-	-	-	-	-	-	-	-	-	-			
											-	-	-	-	-	-	-	-	-	-	-	-	-	-	-	-	-	-	-	-	
											-																				
MX123 CONN ASSY 73 CKT BLK OPT0 KEY A/4	345661323	C-HSG-A0	G-CAP-0-P	TPA-A0	RS	LS	MAL	CPA	MSEAL	RSEAL	-	-	-	-	-	-	-	-	-	-	-	61	-	-	-	-	-	-	-		
											-	-	-	-	-	-	-	-	-	-	-	-	-	-	-	-	-	-	-	-	
											-																				

ASSEMBLY DESCRIPTION	ASSEMBLY PART NUMBER	CONNECTOR HOUSING	GROMMET CAP	TPA	RIGHT SLIDE	LEFT SLIDE	MATE ASSIST LEVER	CPA	MAT SEAL	RING SEAL	BLOCKED TERMINALS																				STATUS	COMMENTS	INTEGRAL COMPONENTS SOLD SEPARATELY	
											CAVITY WITH A NUMBER INDICATES BLOCKED TERMINAL POSITION																						DRESS COVER	
											CAVITY WITHOUT A NUMBER INDICATES OPEN TERMINAL POSITION																							
MX123 CONN ASSY 73 CKT BLK OPT0 KEY A/36	345661333	C-HSG-A0	G-CAP-0-P	TPA-A0	RS	LS	MAL	CPA	MSEAL	RSEAL	72	71	-	-	-	67	66	-	-	63	62	61	60	-	-	57	-	55	54	53	SALEABLE		345650003	
											-	51	-	-	48	-	46	45	44	43	42	-	40	39	-	-	-	35	-	33				
																					-	-	-	-	-	26	25	24	-	22				21
MX123 CONN ASSY 73 CKT BLK OPT0 KEY A/31	345661343	C-HSG-A0	G-CAP-0-P	TPA-A0	RS	LS	MAL	CPA	MSEAL	RSEAL	-	-	70	-	68	-	66	-	-	-	62	61	60	-	-	-	-	55	54	53	SALEABLE		345650003	
											52	51	-	-	-	-	46	45	44	43	42	-	40	39	-	-	-	35	-	33				
																					-	-	-	-	-	26	25	24	-	22				21
MX123 CONN ASSY 73 CKT BLK OPT0 KEY A/38	345661363	C-HSG-A0	G-CAP-0-P	TPA-A0	RS	LS	MAL	CPA	MSEAL	RSEAL	-	-	70	-	-	-	65	-	-	-	61	60	-	58	57	56	55	54	-	SALEABLE		345650003		
											52	51	50	49	-	47	-	45	-	-	-	41	40	-	38	37	36	35	34				-	
																					-	31	30	-	28	-	26	25	-				-	22
MX123 CONN ASSY 73 CKT GRY OPT0 KEY B/51	345661373	C-HSG-B0	G-CAP-0-P	TPA-B0	RS	LS	MAL	CPA	MSEAL	RSEAL	72	71	70	69	68	67	-	-	64	63	-	61	60	-	58	-	56	-	54	-	SALEABLE		345650003	
											52	51	50	49	-	47	-	45	44	43	-	41	40	-	38	-	36	-	34	-				
																					32	31	30	-	28	27	-	25	24	-				22
MX123 CONN ASSY 73 CKT GRY OPT0 KEY B/51	345661383	C-HSG-B0	G-CAP-0-P	TPA-B0	RS	LS	MAL	CPA	MSEAL	RSEAL	72	71	70	69	68	67	66	-	64	63	62	61	60	-	-	-	56	-	54	-	SALEABLE		345650003	
											52	51	50	-	-	-	-	45	44	43	42	41	40	-	-	-	36	-	34	-				
																					32	31	30	-	28	27	26	25	24	-				-
MX123 CONN ASSY 73 CKT GRY OPT0 KEY B/51	345661383	C-HSG-B0	G-CAP-0-P	TPA-B0	RS	LS	MAL	CPA	MSEAL	RSEAL	72	71	70	69	68	67	66	-	64	63	62	61	60	-	-	-	56	-	54	-	SALEABLE		345650003	
											52	51	50	-	-	-	-	45	44	43	42	41	40	-	-	-	36	-	34	-				
																					32	31	30	-	28	27	26	25	24	-				-
MX123 CONN ASSY 73 CKT BLK OPT0 KEY A/41	345661393	C-HSG-A0	G-CAP-0-P	TPA-A0	RS	LS	MAL	CPA	MSEAL	RSEAL	72	71	-	69	68	-	-	65	64	63	62	-	60	59	-	-	56	-	-	53	SALEABLE		345650003	
											52	51	50	49	48	-	46	-	-	-	-	-	40	-	38	-	36	35	-	33				
																					-	31	-	29	28	-	26	-	-	23				22
MX123 CONN ASSY 73 CKT GRY OPT9 KEY B/73	345661403	C-HSG-B9	G-CAP-9-P	TPA-B9	RS	LS	MAL	CPA	MSEAL	RSEAL	-	-	-	-	-	-	-	-	-	-	-	-	-	-	-	-	-	-	-	SALEABLE		345650003		
											-	-	-	-	-	-	-	-	-	-	-	-	-	-	-	-	-	-	-				-	-
																					-	-	-	-	-	-	-	-	-				-	-
MX123 CONN ASSY 73 CKT GRY OPT0 KEY B/25	345661423	C-HSG-B0	G-CAP-0-P	TPA-B0	RS	LS	MAL	CPA	MSEAL	RSEAL	72	71	70	69	-	-	-	-	64	63	62	-	-	-	-	56	55	-	-	SALEABLE		345650003		
											52	-	-	-	-	-	-	-	44	-	-	-	-	-	-	36	-	-	-					
																					-	-	-	29	28	27	-	25	-				-	-
MX123 CONN ASSY 73 CKT GRY OPT0 KEY B/52	345661433	C-HSG-B0	G-CAP-0-P	TPA-B0	RS	LS	MAL	CPA	MSEAL	RSEAL	72	71	70	69	68	67	-	65	-	63	62	61	60	-	58	-	56	-	54	-	SALEABLE		345650003	
											52	51	50	-	-	47	-	45	44	43	42	41	40	-	38	-	36	-	34	-				
																					-	31	30	-	28	27	26	25	24	-				22
MX123 CONN ASSY 73 CKT GRY OPT0 KEY B/51	345661443	C-HSG-B0	G-CAP-0-P	TPA-B0	RS	LS	MAL	CPA	MSEAL	RSEAL	72	71	70	-	-	67	-	65	64	63	62	61	60	-	58	-	56	-	54	-	SALEABLE		345650003	
											52	51	50	-	-	47	-	45	44	43	42	41	40	-	38	-	36	-	34	-				
																					32	31	30	-	28	27	26	25	24	-				22
MX123 CONN ASSY 73 CKT GRY OPT0 KEY B/47	345661453	C-HSG-B0	G-CAP-0-P	TPA-B0	RS	LS	MAL	CPA	MSEAL	RSEAL	72	71	70	69	68	67	-	-	-	63	-	61	60	-	58	-	56	-	54	-	SALEABLE		345650003	
											52	51	50	-	-	-	46	45	-	43	-	41	40	-	38	-	36	-	34	-				
																					32	31	30	-	-	27	-	25	24	-				22
MX123 CONN ASSY 73 CKT BLK OPT0 KEY A/31	345661463	C-HSG-A0	G-CAP-0-P	TPA-A0	RS	LS	MAL	CPA	MSEAL	RSEAL	72	71	70	-	-	67	66	-	-	-	-	-	-	-	57	-	55	54	53	SALEABLE		345650003		
											-	51	-	-	-	-	46	-	44	43	42	-	40	39	-	-	-	35	-				-	
																					-	-	-	-	-	-	26	25	-				-	22

ASSEMBLY DESCRIPTION	ASSEMBLY PART NUMBER	CONNECTOR HOUSING	GROMMET CAP	TPA	RIGHT SLIDE	LEFT SLIDE	MATE ASSIST LEVER	CPA	MAT SEAL	RING SEAL	BLOCKED TERMINALS																		STATUS	COMMENTS	INTEGRAL COMPONENTS SOLD SEPARATELY			
											CAVITY WITH A NUMBER INDICATES BLOCKED TERMINAL POSITION																				DRESS COVER			
											CAVITY WITHOUT A NUMBER INDICATES OPEN TERMINAL POSITION																							
MX123 CONN ASSY 73 CKT BLK OPT0 KEY A/32	345661473	C-HSG-A0	G-CAP-0-P	TPA-A0	RS	LS	MAL	CPA	MSEAL	RSEAL	-	-	70	-	-	-	-	65	-	-	-	61	60	-	58	57	56	55	-	-	SALEABLE		345650003	
											-	51	50	-	-	47	-	45	-	-	-	41	40	-	38	37	36	35	-	-				
											-																		16	15				-
MX123 CONN ASSY 73 CKT BLK OPT0 KEY A/33	345661483	C-HSG-A0	G-CAP-0-P	TPA-A0	RS	LS	MAL	CPA	MSEAL	RSEAL	-	-	70	-	-	67	66	-	-	-	62	-	60	-	-	57	-	55	54	53	SALEABLE		345650003	
											-	51	-	-	48	-	46	45	44	43	42	-	40	39	-	-	-	35	-	-				
											-																		-	15				14
MX123 CONN ASSY 73 CKT GRY OPT0 KEY B/49	345661493	C-HSG-B0	G-CAP-0-P	TPA-B0	RS	LS	MAL	CPA	MSEAL	RSEAL	72	71	70	69	-	67	66	65	64	63	62	61	60	-	-	-	56	-	54	-	SALEABLE		345650003	
											52	51	50	-	-	47	-	45	44	43	42	41	40	-	-	-	36	-	34	-				
											-																		32	31				30
MX123 CONN ASSY 73 CKT BLU OPT9 KEY C/73	345661503	C-HSG-C9	G-CAP-9-P	TPA-C9	RS	LS	MAL	CPA	MSEAL	RSEAL	-	-	-	-	-	-	-	-	-	-	-	-	-	-	-	-	-	-	-	SALEABLE		345650003		
											-																							
											-																							
MX123 CONN ASSY 73 CKT GRY OPT0 KEY B/55	345661513	C-HSG-B0	G-CAP-0-P	TPA-B0	RS	LS	MAL	CPA	MSEAL	RSEAL	72	71	70	69	68	67	66	-	64	63	62	61	60	-	58	-	56	-	54	-	SALEABLE		345650003	
											52	51	50	-	-	47	-	45	44	43	42	41	40	-	38	-	36	-	34	-				
											-																		32	31				30
MX123 CONN ASSY 73 CKT BLK OPT0 KEY A/34	345661523	C-HSG-A0	G-CAP-0-P	TPA-A0	RS	LS	MAL	CPA	MSEAL	RSEAL	72	71	-	-	-	67	66	-	-	63	62	61	60	-	-	57	-	55	-	53	SALEABLE		345650003	
											-	51	-	-	48	-	46	45	44	43	-	-	40	39	-	-	-	35	-	33				
											-																		-	15				14
MX123 CONN ASSY 73 CKT BLK OPT0 KEY A/28	345661533	C-HSG-A0	G-CAP-0-P	TPA-A0	RS	LS	MAL	CPA	MSEAL	RSEAL	-	-	-	-	-	67	66	-	-	-	62	-	60	-	-	-	55	54	53	SALEABLE		345650003		
											-	-	-	-	48	-	46	45	44	43	42	-	40	39	-	-	-	35	-				-	
											-																		-				15	14
MX123 CONN ASSY 73 CKT GRY OPT0 KEY B/53	345661543	C-HSG-B0	G-CAP-0-P	TPA-B0	RS	LS	MAL	CPA	MSEAL	RSEAL	72	71	70	-	-	67	-	65	64	63	62	61	60	-	58	-	56	-	54	-	SALEABLE		345650003	
											52	51	50	-	-	47	-	45	44	43	42	41	40	-	38	-	36	-	34	-				
											-																		32	31				30
MX123 CONN ASSY 73 CKT BLK OPT0 KEY A/73	345661553	C-HSG-A0	G-CAP-0-P	TPA-A0	RS	LS	MAL	CPA	MSEAL	RSEAL	72	71	70	69	68	67	66	65	64	63	62	61	60	59	58	57	56	55	54	53	SALEABLE		345650003	
											52	51	50	49	48	47	46	45	44	43	42	41	40	39	38	37	36	35	34	33				
											-																		32	31				30
MX123 CONN ASSY 73 CKT BLK OPT9 KEY A/73	345661563	C-HSG-A9	G-CAP-9-P	TPA-A9	RS	LS	MAL	CPA	MSEAL	RSEAL	72	71	70	69	68	67	66	65	64	63	62	61	60	59	58	57	56	55	54	53	SALEABLE		345650003	
											52	51	50	49	48	47	46	45	44	43	42	41	40	39	38	37	36	35	34	33				
											-																		32	31				30
MX123 CONN ASSY 73 CKT BLK OPT0 KEY A/35	345661583	C-HSG-A0	G-CAP-0-P	TPA-A0	RS	LS	MAL	CPA	MSEAL	RSEAL	72	71	-	69	68	-	-	-	64	63	62	-	60	59	-	-	56	-	-	53	SALEABLE		345650003	
											52	51	50	-	48	-	46	-	-	-	-	40	-	38	-	36	35	-	33					
											-																		-	31				-
MX123 CONN ASSY 73 CKT GRY OPT0 KEY B/30	345661593	C-HSG-B0	G-CAP-0-P	TPA-B0	RS	LS	MAL	CPA	MSEAL	RSEAL	72	71	70	69	68	-	66	-	64	63	62	-	-	-	-	56	55	-	-	SALEABLE		345650003		
											52	-	-	-	-	-	-	-	44	-	-	41	-	-	38	-	36	35	-				-	
											-																		-				-	-

ASSEMBLY DESCRIPTION	ASSEMBLY PART NUMBER	CONNECTOR HOUSING	GROMMET CAP	TPA	RIGHT SLIDE	LEFT SLIDE	MATE ASSIST LEVER	CPA	MAT SEAL	RING SEAL	BLOCKED TERMINALS																				STATUS	COMMENTS	INTEGRAL COMPONENTS SOLD SEPARATELY
											CAVITY WITH A NUMBER INDICATES BLOCKED TERMINAL POSITION																						DRESS COVER
											CAVITY WITHOUT A NUMBER INDICATES OPEN TERMINAL POSITION																						
MX123 CONN ASSY 73 CKT GRY OPT0 KEY B/51	345661623	C-HSG-B0	G-CAP-0-P	TPA-B0	RS	LS	MAL	CPA	MSEAL	RSEAL	72	71	70	69	68	67	-	-	64	63	-	61	60	-	58	-	56	-	54	-			
											52	51	50	49	-	-	46	45	44	43	-	41	40	-	38	-	36	-	34	-			
															32	31	30	-	28	27	-	25	24	-	22	-	20	19	18	-			
				16	15	14	13	-	11	10	-	8	-	6	5	4	3	2	1														
MX123 CONN ASSY 73 CKT GRY OPT0 KEY B/46	345661633	C-HSG-B0	G-CAP-0-P	TPA-B0	RS	LS	MAL	CPA	MSEAL	RSEAL	72	71	70	-	-	67	-	65	64	63	62	61	60	-	58	-	56	-	54	-			
											52	51	-	49	-	-	46	45	44	43	42	41	40	-	38	-	36	-	34	-			
															32	31	30	-	28	27	26	25	24	-	22	-	20	19	18	-			
				16	-	14	13	-	-	-	9	8	-	-	-	-	-	-	2	1													
MX123 CONN ASSY 73 CKT GRY OPT0 KEY B/46	345661643	C-HSG-B0	G-CAP-0-P	TPA-B0	RS	LS	MAL	CPA	MSEAL	RSEAL	72	71	70	-	-	67	-	65	64	63	62	61	60	-	58	-	56	-	54	-			
											52	51	-	49	-	-	47	-	45	44	43	42	41	40	-	38	-	36	-	34	-		
															32	31	30	-	28	27	26	25	24	-	22	-	20	19	18	-			
				16	-	14	13	-	-	-	9	8	-	-	-	-	-	-	2	1													
MX123 CONN ASSY 73 CKT GRY OPT0 KEY B/50	345661653	C-HSG-B0	G-CAP-0-P	TPA-B0	RS	LS	MAL	CPA	MSEAL	RSEAL	72	71	70	69	68	67	-	65	64	63	62	61	60	-	58	-	56	-	54	-			
											52	51	-	49	-	-	47	-	45	44	43	42	41	40	-	38	-	36	-	34	-		
															32	31	30	-	28	27	26	25	24	-	22	-	20	19	18	-			
				16	-	14	13	-	11	10	9	8	-	-	-	-	-	-	2	1													
MX123 CONN ASSY 73 CKT GRY OPT0 KEY B/52	345661663	C-HSG-B0	G-CAP-0-P	TPA-B0	RS	LS	MAL	CPA	MSEAL	RSEAL	72	71	70	69	68	67	-	65	64	63	62	61	60	-	58	-	56	-	54	-			
											52	51	-	49	-	-	47	-	45	44	43	42	41	40	-	38	-	36	-	34	-		
															32	31	30	-	28	27	26	25	24	-	22	-	20	19	18	17			
				16	-	14	13	12	11	10	9	8	-	-	-	-	-	-	2	1													
MX123 CONN ASSY 73 CKT BLK OPT0 KEY A/22	345661673	C-HSG-A0	G-CAP-0-P	TPA-A0	RS	LS	MAL	CPA	MSEAL	RSEAL	-	-	-	-	-	-	-	-	-	-	-	61	-	-	58	57	56	-	-	-			
											-	51	50	-	-	47	46	-	-	-	-	-	-	-	38	37	36	-	-	-			
															-	31	30	-	28	-	26	-	-	-	22	21	20	-	-	-			
				-	15	14	-	-	-	10	-	-	-	-	-	-	-	-	-	-													
MX123 CONN ASSY 73 CKT GRY OPT0 KEY B/39	345661683	C-HSG-B0	G-CAP-0-P	TPA-B0	RS	LS	MAL	CPA	MSEAL	RSEAL	72	71	70	69	68	-	-	65	64	-	62	61	60	-	-	-	-	-	54	-			
											52	51	-	-	-	47	46	45	44	-	42	41	40	-	-	-	-	-	34	-			
															32	31	30	-	28	-	26	25	24	-	-	-	20	19	18	17			
				-	-	-	-	12	11	10	9	-	-	-	-	-	-	-	2	1													
MX123 CONN ASSY 73 CKT GRY OPT0 KEY B/53	345661693	C-HSG-B0	G-CAP-0-P	TPA-B0	RS	LS	MAL	CPA	MSEAL	RSEAL	72	71	70	69	68	67	-	65	-	63	62	61	60	-	58	-	56	-	54	-			
											52	51	50	-	-	47	-	45	44	43	42	41	40	-	38	-	36	-	34	-			
															-	31	30	-	28	27	26	25	24	-	22	-	20	19	18	-			
				16	15	14	13	-	11	10	9	8	-	6	5	4	3	2	1														
MX123 CONN ASSY 73 CKT GRY OPT0 KEY B/21	345661713	C-HSG-B0	G-CAP-0-P	TPA-B0	RS	LS	MAL	CPA	MSEAL	RSEAL	72	-	-	69	-	67	-	-	-	-	62	61	-	-	-	-	-	-	-	-			
											52	-	-	-	-	47	-	-	44	-	42	-	-	-	-	-	-	34	-				
															-	-	-	29	28	27	26	25	-	-	-	21	-	-	18	17			
				-	-	14	-	-	-	-	-	-	-	-	-	-	-	-	-	1													
MX123 CONN ASSY 73 CKT GRY OPT0 KEY B/28	345661723	C-HSG-B0	G-CAP-0-P	TPA-B0	RS	LS	MAL	CPA	MSEAL	RSEAL	72	-	-	69	-	67	-	-	64	63	62	61	-	-	-	-	56	55	-	-			
											52	-	-	-	-	47	-	-	44	-	42	-	-	-	-	-	-	34	-				
															-	-	-	29	28	27	26	25	-	-	-	21	-	19	18	17			
				-	-	14	-	-	-	-	-	-	-	-	-	-	-	3	2	1													
MX123 CONN ASSY 73 CKT BLK OPT0 KEY A/35	345661733	C-HSG-A0	G-CAP-0-P	TPA-A0	RS	LS	MAL	CPA	MSEAL	RSEAL	72	71	-	69	-	-	-	-	64	63	62	61	60	59	-	-	56	-	54	53			
											52	51	50	-	48	-	46	45	-	-	-	-	40	-	38	-	36	-	34	33			
															-	31	-	29	28	-	26	-	-	23	22	-	-	-	-	-			
				-	-	14	-	12	11	-	-	-	7	-	-	4	-	-	-	-													
MX123 CONN ASSY 73 CKT BLK OPT0 KEY A/36	345661743	C-HSG-A0	G-CAP-0-P	TPA-A0	RS	LS	MAL	CPA	MSEAL	RSEAL	72	71	-	69	68	-	-	-	64	63	62	61	60	59	-	-	56	-	54	53			
											52	51	50	-	48	-	46	45	-	-	-	-	40	-	38	-	36	-	34	33			
															-	31	-	29	28	-	26	-	-	23	22	-	-	-	-	-			
				-	-	14	-	12	11	-	-	-	7	-	-	4	-	-	-	-													

ASSEMBLY DESCRIPTION	ASSEMBLY PART NUMBER	CONNECTOR HOUSING	GROMMET CAP	TPA	RIGHT SLIDE	LEFT SLIDE	MATE ASSIST LEVER	CPA	MAT SEAL	RING SEAL	BLOCKED TERMINALS																				STATUS	COMMENTS	INTEGRAL COMPONENTS SOLD SEPARATELY
											CAVITY WITH A NUMBER INDICATES BLOCKED TERMINAL POSITION																						DRESS COVER
											CAVITY WITHOUT A NUMBER INDICATES OPEN TERMINAL POSITION																						
MX123 CONN ASSY 73 CKT BLK OPT0 KEY A/40	345661753	C-HSG-A0	G-CAP-0-P	TPA-A0	RS	LS	MAL	CPA	MSEAL	RSEAL	72	71	-	69	68	-	-	-	64	63	62	61	60	59	-	-	56	-	54	53	SALEABLE		345650003
											52	51	50	-	48	-	46	45	-	-	-	-	40	-	38	-	36	-	34	33			
															-	31	30	29	28	-	26	-	-	23	22	-	-	-	-	-			
MX123 CONN ASSY 73 CKT GRY OPT0 KEY B/31	345661763	C-HSG-B0	G-CAP-0-P	TPA-B0	RS	LS	MAL	CPA	MSEAL	RSEAL	72	71	70	69	68	-	66	-	64	63	62	-	-	-	-	56	55	-	-	SALEABLE		345650003	
											52	-	-	-	-	-	-	-	44	-	42	41	-	-	38	-	36	35	-				-
															-	-	-	29	28	27	-	25	-	-	-	-	-	19	18				17
MX123 CONN ASSY 73 CKT BLU OPT0 KEY C/41	345661773	C-HSG-C0	G-CAP-0-P	TPA-C0	RS	LS	MAL	CPA	MSEAL	RSEAL	-	71	-	69	68	-	-	65	64	-	-	61	60	-	58	-	56	55	54	-	SALEABLE		345650003
											-	-	50	49	48	47	-	45	-	43	-	41	-	-	38	37	36	35	-	-			
															32	31	-	29	28	-	-	-	24	23	-	-	-	19	18	17			
MX123 CONN ASSY 73 CKT BLU OPT0 KEY C/42	345661783	C-HSG-C0	G-CAP-0-P	TPA-C0	RS	LS	MAL	CPA	MSEAL	RSEAL	-	71	-	69	68	-	-	65	64	-	-	61	60	-	58	-	56	55	54	-	SALEABLE		345650003
											-	-	50	49	48	47	-	45	-	43	-	41	-	-	38	37	36	35	-	-			
															32	31	-	29	28	27	-	-	24	23	-	-	-	19	18	17			
MX123 CONN ASSY 73 CKT BLK OPT0 KEY A/38	345661793	C-HSG-A0	G-CAP-0-P	TPA-A0	RS	LS	MAL	CPA	MSEAL	RSEAL	72	71	70	-	68	67	66	65	64	-	-	-	60	59	-	-	-	-	-	-	SALEABLE		345650003
											-	-	50	-	48	47	46	45	-	43	-	41	-	-	38	37	36	35	-	-			
															-	31	30	-	-	-	-	25	24	23	22	21	20	-	-	17			
MX123 CONN ASSY 73 CKT NAT OPT9 KEY F/73	345661803	C-HSG-F9	G-CAP-9-P	TPA-F9	RS	LS	MAL	CPA	MSEAL	RSEAL	-	-	-	-	-	-	-	-	-	-	-	-	-	-	-	-	-	-	-	SALEABLE		345650003	
											-	-	-	-	-	-	-	-	-	-	-	-	-	-	-	-	-	-	-				-
															-	-	-	-	-	-	-	-	-	-	-	-	-	-	-				-
MX123 CONN ASSY 73 CKT GRY OPT0 KEY B/24	345661813	C-HSG-B0	G-CAP-0-P	TPA-B0	RS	LS	MAL	CPA	MSEAL	RSEAL	-	-	-	69	-	-	-	65	64	63	-	-	-	-	-	-	-	-	-	SALEABLE		345650003	
											-	-	-	49	-	-	-	45	44	43	-	-	-	-	-	-	-	-	-				-
															-	-	-	-	-	-	-	-	-	-	22	21	20	19	18				17
MX123 CONN ASSY 73 CKT BLK OPT0 KEY A/25	345661823	C-HSG-A0	G-CAP-0-P	TPA-A0	RS	LS	MAL	CPA	MSEAL	RSEAL	-	-	-	-	-	67	-	-	-	63	62	-	60	-	-	57	-	55	-	-	SALEABLE		345650003
											-	51	-	-	48	-	46	45	44	43	-	40	39	-	-	-	35	-	-				
															-	-	-	-	-	-	-	25	-	-	-	-	-	-	-	-			
MX123 CONN ASSY 73 CKT BLK OPT0 KEY A/38	345661833	C-HSG-A0	G-CAP-0-P	TPA-A0	RS	LS	MAL	CPA	MSEAL	RSEAL	72	71	70	69	-	67	66	-	64	-	62	-	60	-	-	57	-	55	54	53	SALEABLE		345650003
											-	51	-	49	48	-	46	45	44	43	42	-	40	39	-	-	-	35	-	-			
															-	-	-	-	-	-	26	-	-	-	22	21	-	-	-	-			
MX123 CONN ASSY 73 CKT BLK OPT0 KEY A/33	345661843	C-HSG-A0	G-CAP-0-P	TPA-A0	RS	LS	MAL	CPA	MSEAL	RSEAL	72	71	70	69	-	67	66	-	64	-	62	-	60	-	-	57	-	55	54	-	SALEABLE		345650003
											-	51	-	49	48	-	46	45	44	43	42	-	40	39	-	-	-	-	-	-			
															-	-	-	-	-	-	26	25	-	-	-	-	-	-	-	-			
MX123 CONN ASSY 73 CKT BLK OPT0 KEY A/22	345661853	C-HSG-A0	G-CAP-0-P	TPA-A0	RS	LS	MAL	CPA	MSEAL	RSEAL	-	71	-	-	-	-	66	-	64	-	62	-	-	59	58	-	-	-	-	-	SALEABLE		345650003
											-	51	-	-	-	-	46	45	-	42	-	-	39	38	-	-	-	-	-	-			
															32	31	-	-	-	27	26	-	-	23	22	-	-	-	-	-			
MX123 CONN ASSY 73 CKT GRY OPT0 KEY B/56	345661863	C-HSG-B0	G-CAP-0-P	TPA-B0	RS	LS	MAL	CPA	MSEAL	RSEAL	72	71	70	69	-	-	-	-	-	62	61	60	59	58	57	56	55	54	53	SALEABLE		345650003	
											52	51	50	49	48	47	-	-	44	-	42	41	40	39	38	37	36	35	34				33
															-	31	-	-	-	-	26	25	24	23	22	21	20	19	18				-
				-	15	14	13	12	11	-	9	8	7	6	5	4	3	2	1	-	-												

ASSEMBLY DESCRIPTION	ASSEMBLY PART NUMBER	CONNECTOR HOUSING	GROMMET CAP	TPA	RIGHT SLIDE	LEFT SLIDE	MATE ASSIST LEVER	CPA	MAT SEAL	RING SEAL	BLOCKED TERMINALS																		STATUS	COMMENTS	INTEGRAL COMPONENTS SOLD SEPARATELY
											CAVITY WITH A NUMBER INDICATES BLOCKED TERMINAL POSITION																				DRESS COVER
											CAVITY WITHOUT A NUMBER INDICATES OPEN TERMINAL POSITION																				
MX123 CONN ASSY 73 CKT BLU OPT0 KEY C/40	345661873	C-HSG-C0	G-CAP-0-P	TPA-C0	RS	LS	MAL	CPA	MSEAL	RSEAL	-	71	-	69	68	-	-	65	64	-	-	61	60	-	58	-	56	55	54	-	
											-	-	50	49	48	47	-	45	-	43	-	41	-	-	38	37	36	35	-	-	
											-																				
											-																				
MX123 CONN ASSY 73 CKT BLK OPT0 KEY A/34	345661883	C-HSG-A0	G-CAP-0-P	TPA-A0	RS	LS	MAL	CPA	MSEAL	RSEAL	72	71	-	69	-	-	-	-	64	63	62	61	60	59	-	-	56	-	54	53	
											52	51	50	-	48	-	46	45	-	-	-	-	-	-	38	-	36	-	34	33	
											-																				
											-																				
MX123 CONN ASSY 73 CKT BLU OPT0 KEY C/42	345661893	C-HSG-C0	G-CAP-0-P	TPA-C0	RS	LS	MAL	CPA	MSEAL	RSEAL	-	71	-	69	68	67	-	65	64	-	62	61	60	-	58	-	56	55	54	-	
											-	-	50	49	48	47	-	45	-	43	-	41	-	-	38	37	36	35	-	-	
											-																				
											-																				
MX123 CONN ASSY 73 CKT GRY OPT0 KEY B/42	345661913	C-HSG-B0	G-CAP-0-P	TPA-B0	RS	LS	MAL	CPA	MSEAL	RSEAL	-	71	-	69	-	67	-	65	64	63	62	61	-	-	58	57	56	-	-	-	
											-	51	-	49	-	47	-	45	44	43	42	41	-	-	38	37	36	-	-	-	
											-																				
											-																				
MX123 CONN ASSY 73 CKT BLK OPT0 KEY A/46	345661923	C-HSG-A0	G-CAP-0-P	TPA-A0	RS	LS	MAL	CPA	MSEAL	RSEAL	72	71	70	-	68	67	66	65	64	-	62	61	60	59	-	57	-	-	-	-	
											-	-	50	-	48	47	46	45	-	-	-	-	40	39	38	37	-	-	-	-	
											-																				
											-																				
MX123 CONN ASSY 73 CKT BLK OPT0 KEY A/35	345661933	C-HSG-A0	G-CAP-0-P	TPA-A0	RS	LS	MAL	CPA	MSEAL	RSEAL	72	71	-	69	68	-	-	-	64	63	62	61	60	59	-	-	56	-	54	53	
											52	51	50	-	48	-	46	45	-	-	-	-	-	-	38	-	36	-	34	33	
											-																				
											-																				
MX123 CONN ASSY 73 CKT BLK OPT0 KEY A/34	345661943	C-HSG-A0	G-CAP-0-P	TPA-A0	RS	LS	MAL	CPA	MSEAL	RSEAL	72	71	-	69	68	-	-	-	64	63	62	61	60	59	-	-	56	-	54	53	
											52	-	50	-	48	-	46	45	-	-	-	-	-	-	38	-	36	-	34	33	
											-																				
											-																				
MX123 CONN ASSY 73 CKT BLU OPT0 KEY C/42	345661953	C-HSG-C0	G-CAP-0-P	TPA-C0	RS	LS	MAL	CPA	MSEAL	RSEAL	-	71	-	69	68	67	-	65	64	-	62	61	60	-	58	-	56	55	54	-	
											-	-	50	49	-	-	-	45	-	43	-	41	-	-	38	37	36	35	-	-	
											-																				
											-																				
MX123 CONN ASSY 73 CKT BLU OPT0 KEY C/44	345661963	C-HSG-C0	G-CAP-0-P	TPA-C0	RS	LS	MAL	CPA	MSEAL	RSEAL	-	71	-	69	68	67	-	65	64	-	62	61	60	-	58	-	56	55	54	-	
											-	-	50	49	48	47	-	45	-	43	-	41	-	-	38	37	36	35	-	-	
											-																				
											-																				
MX123 CONN ASSY 73 CKT BLK OPT0 KEY A/43	345661973	C-HSG-A0	G-CAP-0-P	TPA-A0	RS	LS	MAL	CPA	MSEAL	RSEAL	72	71	70	-	68	67	66	65	64	-	62	61	60	59	58	57	-	-	-	-	
											-	-	50	-	48	47	46	45	-	-	-	-	40	39	38	37	-	-	-	-	
											-																				
											-																				
MX123 CONN ASSY 73 CKT GRY OPT0 KEY B/73	345661983	C-HSG-B0	G-CAP-0-P	TPA-B0	RS	LS	MAL	CPA	MSEAL	RSEAL	72	71	70	69	68	67	66	65	64	63	62	61	60	59	58	57	56	55	54	53	
											52	51	50	49	48	47	46	45	44	43	42	41	40	39	38	37	36	35	34	33	
											-																				
											-																				
MX123 CONN ASSY 73 CKT BLU OPT0 KEY C/73	345661993	C-HSG-C0	G-CAP-0-P	TPA-C0	RS	LS	MAL	CPA	MSEAL	RSEAL	72	71	70	69	68	67	66	65	64	63	62	61	60	59	58	57	56	55	54	53	
											52	51	50	49	48	47	46	45	44	43	42	41	40	39	38	37	36	35	34	33	
											-																				
											-																				

ASSEMBLY DESCRIPTION	ASSEMBLY PART NUMBER	CONNECTOR HOUSING	GROMMET CAP	TPA	RIGHT SLIDE	LEFT SLIDE	MATE ASSIST LEVER	CPA	MAT SEAL	RING SEAL	BLOCKED TERMINALS																STATUS	COMMENTS	INTEGRAL COMPONENTS SOLD SEPARATELY													
											CAVITY WITH A NUMBER INDICATES BLOCKED TERMINAL POSITION																		DRESS COVER													
											CAVITY WITHOUT A NUMBER INDICATES OPEN TERMINAL POSITION																															
MX123 CONN ASSY 73 CKT BLK OPT0 KEY A/31	345662013	C-HSG-A0	G-CAP-0-P	TPA-A0	RS	LS	MAL	CPA	MSEAL	RSEAL	72	-	-	69	68	67	66	-	64	63	62	61	-	-	-	-	56	55	-	-												
											52	-	-	-	-	47	-	-	44	-	42	-	-	-	38	-	-	-	34	-												
											-																-	-	19	18	17											
											-																-	-	14	-	-	-	-	-	-	-	-	-	3	2	1	
MX123 CONN ASSY 73 CKT BLK OPT0 KEY A/38	345662023	C-HSG-A0	G-CAP-0-P	TPA-A0	RS	LS	MAL	CPA	MSEAL	RSEAL	72	71	-	69	-	-	-	-	64	63	62	61	60	59	-	-	56	-	54	53												
											52	51	50	-	48	-	46	45	-	-	-	-	40	-	38	-	36	-	34	33												
											-																-	31	-	29	28	-	26	-	-	23	22	-	-	-	-	
											-																16	-	14	-	12	11	10	-	-	7	-	-	4	-	2	-
MX123 CONN ASSY 73 CKT BLK OPT0 KEY A/27	345662033	C-HSG-A0	G-CAP-0-P	TPA-A0	RS	LS	MAL	CPA	MSEAL	RSEAL	72	-	-	69	68	67	66	-	-	63	62	61	-	-	-	-	56	-	-	-												
											52	-	-	-	-	47	-	-	44	-	42	-	-	-	38	-	-	-	34	-												
											-																-	-	-	29	28	27	26	25	-	-	-	21	-	19	18	17
											-																-	-	14	-	-	-	-	-	-	-	-	-	-	-	-	1
MX123 CONN ASSY 73 CKT BLK OPT0 KEY A/39	345662043	C-HSG-A0	G-CAP-0-P	TPA-A0	RS	LS	MAL	CPA	MSEAL	RSEAL	72	71	-	69	68	-	-	-	64	63	62	61	60	59	-	-	56	-	54	53												
											52	51	50	-	48	-	46	45	-	-	-	-	40	-	38	-	36	-	34	33												
											-																-	31	-	29	28	-	26	-	-	23	22	-	-	-	-	
											-																16	-	14	-	12	11	10	-	-	7	-	-	4	-	2	-
MX123 CONN ASSY 73 CKT GRY OPT0 KEY B/41	345662053	C-HSG-B0	G-CAP-0-P	TPA-B0	RS	LS	MAL	CPA	MSEAL	RSEAL	72	71	-	69	-	-	-	-	64	63	62	61	60	59	-	-	56	-	54	53												
											52	51	50	-	48	-	46	45	-	-	-	-	40	-	38	-	36	35	34	33												
											-																-	31	-	29	28	-	26	-	-	-	22	-	-	-	-	17
											-																16	15	14	-	12	11	10	9	-	7	-	-	4	-	2	-
MX123 CONN ASSY 73 CKT BLK OPT0 KEY A/37	345662093	C-HSG-A0	G-CAP-0-P	TPA-A0	RS	LS	MAL	CPA	MSEAL	RSEAL	72	71	70	69	-	67	66	-	64	-	62	-	60	-	-	57	-	55	54	53												
											-	51	-	49	48	-	46	45	44	43	42	-	40	39	-	-	-	35	-	-												
											-																-	-	-	-	-	-	26	-	-	-	22	21	-	-	-	-
											-																-	15	14	-	-	-	-	-	8	7	6	5	4	3	2	-
MX123 CONN ASSY 73 CKT GRY OPT0 KEY B/27	345662133	C-HSG-B0	G-CAP-0-P	TPA-B0	RS	LS	MAL	CPA	MSEAL	RSEAL	72	-	-	69	68	67	66	-	-	63	62	61	-	-	-	-	56	-	-	-												
											52	-	-	-	-	47	-	-	44	-	42	-	-	-	38	-	-	-	34	-												
											-																-	-	-	29	28	27	26	25	-	-	-	21	-	19	18	17
											-																-	-	14	-	-	-	-	-	-	-	-	-	-	-	-	1
MX123 CONN ASSY 73 CKT GRY OPT0 KEY B/31	345662143	C-HSG-B0	G-CAP-0-P	TPA-B0	RS	LS	MAL	CPA	MSEAL	RSEAL	72	-	-	69	68	67	66	-	64	63	62	61	-	-	-	-	56	55	-	-												
											52	-	-	-	-	47	-	-	44	-	42	-	-	-	38	-	-	-	34	-												
											-																-	-	-	29	28	27	26	25	-	-	-	21	-	19	18	17
											-																-	-	14	-	-	-	-	-	-	-	-	-	-	3	2	1
MX123 CONN ASSY 73 CKT BLK OPT0 KEY A/41	345662153	C-HSG-A0	G-CAP-0-P	TPA-A0	RS	LS	MAL	CPA	MSEAL	RSEAL	72	71	-	69	-	-	-	-	64	63	62	61	60	59	-	-	56	-	54	53												
											52	51	50	-	48	-	46	45	-	-	-	-	40	-	38	-	36	35	34	33												
											-																-	31	-	29	28	-	26	-	-	-	22	-	-	-	-	17
											-																16	15	14	-	12	11	10	9	-	7	-	-	4	-	2	-
MX123 CONN ASSY 73 CKT BLK OPT0 KEY A/40	345662163	C-HSG-A0	G-CAP-0-P	TPA-A0	RS	LS	MAL	CPA	MSEAL	RSEAL	72	71	-	69	68	-	-	65	64	63	62	-	60	59	-	57	56	-	-	53												
											52	51	50	-	48	-	46	-	-	-	-	-	40	-	38	-	36	35	-	33												
											-																-	31	30	29	28	-	26	25	-	23	22	-	-	-	-	-
											-																16	-	14	-	12	-	10	-	8	7	-	-	4	-	2	-
MX123 CONN ASSY 73 CKT BLK OPT0 KEY A/36	345662173	C-HSG-A0	G-CAP-0-P	TPA-A0	RS	LS	MAL	CPA	MSEAL	RSEAL	72	71	-	69	68	-	-	-	64	63	62	-	60	59	-	57	56	-	-	53												
											52	51	50	-	48	-	46	-	-	-	-	-	40	-	38	-	36	35	-	33												
											-																-	31	-	29	28	-	26	-	-	23	22	-	-	-	-	-
											-																16	-	14	-	12	-	10	-	-	7	-	-	4	-	2	-
MX123 CONN ASSY 73 CKT BLK OPT0 KEY A/44	345662183	C-HSG-A0	G-CAP-0-P	TPA-A0	RS	LS	MAL	CPA	MSEAL	RSEAL	72	71	-	69	68	-	-	65	64	63	62	61	60	59	-	-	56	-	54	53												
											52	51	50	-	48	-	46	45	-	-	-	-	40	-	38	-	36	35	34	33												
											-																-	31	30	29	28	-	26	25	-	23	22	-	-	-	-	-
											-																16	-	14	-	12	11	10	-	8	7	-	-	4	-	2	-

ASSEMBLY DESCRIPTION	ASSEMBLY PART NUMBER	CONNECTOR HOUSING	GROMMET CAP	TPA	RIGHT SLIDE	LEFT SLIDE	MATE ASSIST LEVER	CPA	MAT SEAL	RING SEAL	BLOCKED TERMINALS																				STATUS	COMMENTS	INTEGRAL COMPONENTS SOLD SEPARATELY	
											CAVITY WITH A NUMBER INDICATES BLOCKED TERMINAL POSITION																						DRESS COVER	
											CAVITY WITHOUT A NUMBER INDICATES OPEN TERMINAL POSITION																							
MX123 CONN ASSY 73 CKT BLK OPT0 KEY A/40	345662193	C-HSG-A0	G-CAP-0-P	TPA-A0	RS	LS	MAL	CPA	MSEAL	RSEAL	72	71	-	69	68	-	-	-	64	63	62	61	60	59	-	-	56	-	54	53	SALEABLE		345650003	
											52	51	50	-	48	-	46	45	-	-	-	-	40	-	38	-	36	35	34	33				
															-	31	-	29	28	-	26	-	-	23	22	-	-	-	-	-				-
				16	-	14	-	12	11	10	-	-	7	-	-	4	-	2	-	-	-													
MX123 CONN ASSY 73 CKT BLK OPT0 KEY A/24	345662223	C-HSG-A0	G-CAP-0-P	TPA-A0	RS	LS	MAL	CPA	MSEAL	RSEAL	-	-	-	-	-	-	-	65	-	-	-	61	-	-	58	57	56	-	-	-	SALEABLE		345650003	
											-	51	50	-	-	47	-	45	-	-	-	41	-	-	38	37	36	-	-	-				
															-	31	30	-	28	-	26	25	-	-	22	21	20	-	-	-				
				-	15	-	-	-	-	10	-	-	-	-	-	-	-	-	-	-	-													
MX123 CONN ASSY 73 CKT BLK OPT0 KEY A/48	345662233	C-HSG-A0	G-CAP-0-P	TPA-A0	RS	LS	MAL	CPA	MSEAL	RSEAL	72	71	70	-	68	67	66	65	64	-	62	61	60	59	-	57	-	55	-	53	SALEABLE		345650003	
											-	-	50	-	48	47	46	45	-	-	-	-	40	39	38	37	-	-	-	-				
															-	31	30	29	-	27	-	25	24	23	22	21	20	-	-	17				
				-	15	14	13	-	11	-	9	8	7	6	5	4	-	2	1	-	-													
MX123 CONN ASSY 73 CKT BLK OPT0 KEY A/24	345662253	C-HSG-A0	G-CAP-0-P	TPA-A0	RS	LS	MAL	CPA	MSEAL	RSEAL	-	-	-	-	-	67	-	-	-	-	62	-	60	-	-	57	-	55	-	-	SALEABLE		345650003	
											-	51	-	-	48	-	46	45	44	43	-	-	40	39	-	-	-	35	-	-				
															-	-	-	-	-	-	-	25	-	-	-	-	-	-	-	-				
				-	15	14	-	-	-	-	-	-	7	6	5	4	3	2	-	-	-													
MX123 CONN ASSY 73 CKT BLK OPT0 KEY A/44	345662263	C-HSG-A0	G-CAP-0-P	TPA-A0	RS	LS	MAL	CPA	MSEAL	RSEAL	72	71	70	-	68	67	66	65	64	-	62	61	60	59	-	57	-	-	-	-	SALEABLE		345650003	
											-	-	-	-	48	47	46	45	-	-	-	-	40	39	38	37	-	-	-	-				
															-	31	30	29	-	27	-	25	24	23	22	21	20	-	-	17				
				-	15	-	13	-	11	-	9	8	7	6	5	4	-	2	1	-	-													
MX123 CONN ASSY 73 CKT BLK OPT0 KEY A/36	345662273	C-HSG-A0	G-CAP-0-P	TPA-A0	RS	LS	MAL	CPA	MSEAL	RSEAL	72	71	70	-	68	67	66	65	64	-	-	-	60	59	-	-	-	-	-	SALEABLE		345650003		
											-	-	-	-	48	47	46	45	-	-	-	-	40	39	38	-	-	-	-				-	
															-	31	30	-	-	-	-	25	24	23	22	21	20	-	-				17	
				-	15	-	-	-	-	-	-	9	8	7	6	5	4	-	2	1	-													
MX123 CONN ASSY 73 CKT GRY OPT0 KEY B/52	345662283	C-HSG-B0	G-CAP-0-P	TPA-B0	RS	LS	MAL	CPA	MSEAL	RSEAL	72	71	70	69	-	-	-	-	-	-	62	61	60	59	58	57	56	-	54	53	SALEABLE		345650003	
											52	51	50	-	-	47	-	-	-	-	42	41	40	39	38	37	36	35	34	33				
															-	31	-	-	-	-	26	25	24	23	22	21	20	19	18	-				
				-	15	14	13	12	11	-	9	8	7	6	5	4	3	2	1	-	-													
MX123 CONN ASSY 73 CKT BLU OPT0 KEY C/44	345662293	C-HSG-C0	G-CAP-0-P	TPA-C0	RS	LS	MAL	CPA	MSEAL	RSEAL	-	71	-	69	-	67	-	65	64	-	62	61	60	-	58	-	56	55	54	-	SALEABLE		345650003	
											-	-	50	49	-	-	-	45	-	43	-	41	-	-	38	37	36	35	-	-				
															32	31	-	29	28	27	-	-	24	23	-	-	20	19	18	17				
				16	-	-	13	12	11	-	-	8	7	-	5	4	3	2	1	-	-													
MX123 CONN ASSY 73 CKT BLU OPT0 KEY C/47	345662313	C-HSG-C0	G-CAP-0-P	TPA-C0	RS	LS	MAL	CPA	MSEAL	RSEAL	-	71	-	69	68	67	-	65	64	-	62	61	60	-	58	-	56	55	54	-	SALEABLE		345650003	
											-	-	50	49	48	47	-	45	-	43	-	41	-	-	38	37	36	35	-	-				
															32	31	-	29	28	27	-	-	24	23	-	-	20	19	18	17				
				16	-	-	13	12	11	-	-	8	7	-	5	4	3	2	1	-	-													
MX123 CONN ASSY 73 CKT BLU OPT0 KEY C/41	345662323	C-HSG-C0	G-CAP-0-P	TPA-C0	RS	LS	MAL	CPA	MSEAL	RSEAL	-	71	-	69	-	67	-	65	64	-	62	61	60	-	58	-	56	55	54	-	SALEABLE		345650003	
											-	-	50	49	-	-	-	45	-	43	-	41	-	-	38	37	36	35	-	-				
															32	31	-	29	28	27	-	-	24	23	-	-	19	18	17					
				16	-	-	13	12	11	-	-	8	7	-	-	3	2	1	-	-	-													
MX123 CONN ASSY 73 CKT BLK OPT0 KEY A/33	345662333	C-HSG-A0	G-CAP-0-P	TPA-A0	RS	LS	MAL	CPA	MSEAL	RSEAL	72	-	70	-	-	67	66	-	-	-	62	-	60	-	58	-	-	55	54	53	SALEABLE		345650003	
											-	51	-	-	48	-	46	45	44	43	42	-	40	-	-	-	-	35	-	-				
															-	-	-	-	-	-	26	25	-	-	21	-	-	-	17					
				-	15	14	-	-	-	-	-	8	7	6	5	4	3	2	-	-	-													
MX123 CONN ASSY 73 CKT BLK OPT0 KEY A/36	345662343	C-HSG-A0	G-CAP-0-P	TPA-A0	RS	LS	MAL	CPA	MSEAL	RSEAL	-	71	-	69	-	-	-	-	64	63	62	61	60	59	-	-	56	-	54	53	SALEABLE		345650003	
											52	51	50	-	48	-	46	45	-	-	-	-	40	-	38	-	36	-	34	33				
															-	31	-	29	28	-	26	-	-	23	22	-	-	-	-	-				
				16	-	-	-	12	11	10	-	-	7	-	-	4	-	2	-	-	-													

ASSEMBLY DESCRIPTION	ASSEMBLY PART NUMBER	CONNECTOR HOUSING	GROMMET CAP	TPA	RIGHT SLIDE	LEFT SLIDE	MATE ASSIST LEVER	CPA	MAT SEAL	RING SEAL	BLOCKED TERMINALS																			STATUS	COMMENTS	INTEGRAL COMPONENTS SOLD SEPARATELY		
											CAVITY WITH A NUMBER INDICATES BLOCKED TERMINAL POSITION																					DRESS COVER		
											CAVITY WITHOUT A NUMBER INDICATES OPEN TERMINAL POSITION																							
MX123 CONN ASSY 73 CKT BLK OPT0 KEY A/37	345662353	C-HSG-A0	G-CAP-0-P	TPA-A0	RS	LS	MAL	CPA	MSEAL	RSEAL	-	71	-	69	68	-	-	-	64	63	62	61	60	59	-	-	56	-	54	53	SALEABLE		345650003	
											52	51	50	-	48	-	46	45	-	-	-	-	40	-	38	-	36	-	34	33				
											-																			16				-
MX123 CONN ASSY 73 CKT BLU OPT0 KEY C/39	345662363	C-HSG-C0	G-CAP-0-P	TPA-C0	RS	LS	MAL	CPA	MSEAL	RSEAL	-	71	-	69	68	-	-	65	64	-	-	61	60	-	58	-	56	55	54	-	SALEABLE		345650003	
											-	-	50	49	48	47	-	45	-	43	-	41	-	-	-	37	36	35	-	-				
											-																			16				-
MX123 CONN ASSY 73 CKT GRY OPT0 KEY B/21	345662373	C-HSG-B0	G-CAP-0-P	TPA-B0	RS	LS	MAL	CPA	MSEAL	RSEAL	72	71	70	69	-	-	-	-	63	62	-	-	-	-	-	56	-	-	-	SALEABLE		345650003		
											52	-	-	-	-	-	-	-	44	-	-	-	-	-	-	36	-	-	-				-	
											-																						16	-
MX123 CONN ASSY 73 CKT GRY OPT0 KEY B/50	345662383	C-HSG-B0	G-CAP-0-P	TPA-B0	RS	LS	MAL	CPA	MSEAL	RSEAL	72	71	70	69	68	67	66	-	64	63	62	61	60	-	58	-	56	-	54	-	SALEABLE		345650003	
											52	51	-	-	-	47	-	45	44	43	42	41	40	-	38	-	36	-	34	-				
											-																			16				-
MX123 CONN ASSY 73 CKT GRY OPT0 KEY B/50	345662393	C-HSG-B0	G-CAP-0-P	TPA-B0	RS	LS	MAL	CPA	MSEAL	RSEAL	72	71	70	69	68	67	66	65	64	63	62	61	60	-	58	-	56	-	54	-	SALEABLE		345650003	
											52	51	-	-	-	47	-	45	44	43	42	41	40	-	38	-	36	-	34	-				
											-																			16				-
MX123 CONN ASSY 73 CKT BLK OPT0 KEY A/38	345662413	C-HSG-A0	G-CAP-0-P	TPA-A0	RS	LS	MAL	CPA	MSEAL	RSEAL	-	71	-	69	68	-	-	-	64	63	62	61	60	59	-	-	56	-	54	53	SALEABLE		345650003	
											52	51	50	-	48	-	46	45	-	-	-	-	40	-	38	-	36	-	34	33				
											-																			16				-
MX123 CONN ASSY 73 CKT BLK OPT0 KEY A/44	345662423	C-HSG-A0	G-CAP-0-P	TPA-A0	RS	LS	MAL	CPA	MSEAL	RSEAL	72	71	70	69	68	67	66	65	64	-	62	61	60	59	-	-	-	-	-	-	SALEABLE		345650003	
											-	-	50	-	48	47	46	45	-	-	-	-	40	39	38	37	-	-	-	-				-
											-																			15				14
MX123 CONN ASSY 73 CKT BLK OPT0 KEY A/44	345662433	C-HSG-A0	G-CAP-0-P	TPA-A0	RS	LS	MAL	CPA	MSEAL	RSEAL	72	71	70	-	68	67	66	65	64	-	62	61	60	59	58	57	-	-	-	-	SALEABLE		345650003	
											-	-	50	-	48	47	46	45	-	-	-	-	40	39	38	37	-	-	-	-				-
											-																			15				14
MX123 CONN ASSY 73 CKT BLU OPT0 KEY C/40	345662443	C-HSG-C0	G-CAP-0-P	TPA-C0	RS	LS	MAL	CPA	MSEAL	RSEAL	-	71	-	69	-	67	-	65	64	-	62	61	60	-	58	-	56	55	54	-	SALEABLE		345650003	
											-	-	50	49	-	-	-	45	-	43	42	41	-	-	38	37	36	35	-	-				
											-																			16				-
MX123 CONN ASSY 73 CKT BLK OPT0 KEY A/36	345662453	C-HSG-A0	G-CAP-0-P	TPA-A0	RS	LS	MAL	CPA	MSEAL	RSEAL	72	-	70	-	68	67	66	-	-	-	62	61	60	59	-	-	-	-	-	SALEABLE		345650003		
											-	-	50	-	48	47	46	-	-	-	-	-	40	39	38	-	-	-	-				-	
											-																						15	14
MX123 CONN ASSY 73 CKT BLK OPT0 KEY A/36	345662463	C-HSG-A0	G-CAP-0-P	TPA-A0	RS	LS	MAL	CPA	MSEAL	RSEAL	72	-	70	-	68	67	66	-	-	-	62	61	60	59	58	-	-	-	-	SALEABLE		345650003		
											-	-	50	-	48	47	46	-	-	-	-	-	40	39	38	-	-	-	-				-	
											-																						15	14
MX123 CONN ASSY 73 CKT BLK OPT0 KEY A/37	345662473	C-HSG-A0	G-CAP-0-P	TPA-A0	RS	LS	MAL	CPA	MSEAL	RSEAL	72	71	-	69	-	-	-	-	64	63	62	61	60	59	-	-	56	-	54	53	SALEABLE		345650003	
											52	51	50	-	48	-	46	45	-	-	-	-	40	-	38	-	36	-	34	33				
											-																			16				-

ASSEMBLY DESCRIPTION	ASSEMBLY PART NUMBER	CONNECTOR HOUSING	GROMMET CAP	TPA	RIGHT SLIDE	LEFT SLIDE	MATE ASSIST LEVER	CPA	MAT SEAL	RING SEAL	BLOCKED TERMINALS																		STATUS	COMMENTS	INTEGRAL COMPONENTS SOLD SEPARATELY								
											CAVITY WITH A NUMBER INDICATES BLOCKED TERMINAL POSITION CAVITY WITHOUT A NUMBER INDICATES OPEN TERMINAL POSITION																				DRESS COVER								
MX123 CONN ASSY 73 CKT BLK OPT0 KEY A/36	345662483	C-HSG-A0	G-CAP-0-P	TPA-A0	RS	LS	MAL	CPA	MSEAL	RSEAL	72	71	70	-	68	67	66	65	64	-	-	-	60	59	-	-	-	-	-	-	-	-							
											-	-	50	-	48	47	46	45	-	-	-	-	40	39	38	-	-	-	-	-	-	-	-	-	-	-	-	-	-
														-	31	30	-	-	-	-	25	24	-	22	21	20	-	-	-	17									
														-	15	14	-	-	-	-	9	-	7	6	5	4	-	2	1										
MX123 CONN ASSY 73 CKT GRY OPT0 KEY B/23	345662493	C-HSG-B0	G-CAP-0-P	TPA-B0	RS	LS	MAL	CPA	MSEAL	RSEAL	-	-	-	69	-	-	-	65	64	63	-	-	-	-	-	-	-	-	-	-	-	-							
											-	-	-	49	-	-	-	45	44	43	-	-	-	-	-	-	-	-	-	-	-	-	-	-	-	-	-	-	
														-	-	-	-	-	-	-	-	-	23	22	21	20	19	18	-										
														-	-	-	-	12	11	-	9	-	7	6	5	4	3	-	-										
MX123 CONN ASSY 73 CKT BLK OPT0 KEY A/33	345662503	C-HSG-A0	G-CAP-0-P	TPA-A0	RS	LS	MAL	CPA	MSEAL	RSEAL	-	-	70	-	-	-	-	65	-	-	-	61	60	-	58	57	-	55	54	-									
											52	51	-	49	-	47	-	45	-	-	-	41	40	-	38	37	-	-	34	-									
														-	31	-	-	28	-	26	25	24	-	22	21	-	19	18	-										
														16	15	-	-	-	-	10	-	-	7	6	-	-	-	-	-	-									
MX123 CONN ASSY 73 CKT BLU OPT0 KEY C/37	345662513	C-HSG-C0	G-CAP-0-P	TPA-C0	RS	LS	MAL	CPA	MSEAL	RSEAL	-	71	-	69	-	-	-	65	64	-	-	61	60	-	58	-	56	55	54	-									
											-	-	50	49	-	-	-	45	-	43	-	41	-	-	38	37	36	35	-	-									
														-	31	-	29	28	-	-	-	24	23	-	-	-	19	18	17										
														16	-	-	13	12	11	-	-	8	7	-	-	-	3	2	1										
MX123 CONN ASSY 73 CKT BLK OPT0 KEY A/21	345662523	C-HSG-A0	G-CAP-0-P	TPA-A0	RS	LS	MAL	CPA	MSEAL	RSEAL	-	-	-	-	-	-	-	-	-	-	-	61	-	-	58	57	56	-	-	-									
											-	51	50	-	-	47	46	-	-	-	-	-	-	38	37	36	35	-	-	-									
														-	31	30	-	-	-	26	-	-	-	22	21	20	-	-	-	-									
														-	15	14	-	-	-	10	-	-	-	-	-	-	-	-	-	-									
MX123 CONN ASSY 73 CKT GRY OPT0 KEY B/34	345662533	C-HSG-B0	G-CAP-0-P	TPA-B0	RS	LS	MAL	CPA	MSEAL	RSEAL	72	71	70	69	68	-	-	-	64	-	62	61	60	-	-	-	-	-	54	-									
											52	51	-	-	-	47	-	44	-	42	41	40	-	-	-	-	-	-	-	-	-	-	-	-	-	-	-		
														32	31	30	-	28	-	26	25	24	-	-	-	20	19	-	17										
														-	-	-	-	12	11	10	9	-	-	-	-	-	-	2	1										
MX123 CONN ASSY 73 CKT BLU OPT0 KEY C/45	345662543	C-HSG-C0	G-CAP-0-P	TPA-C0	RS	LS	MAL	CPA	MSEAL	RSEAL	-	71	-	69	68	67	-	65	64	-	62	61	60	-	58	-	56	55	54	-									
											-	-	50	49	48	47	-	45	-	43	-	41	-	-	38	37	36	35	-	-									
														-	31	-	29	28	-	-	-	24	23	-	-	20	19	18	17										
														16	-	-	13	12	11	-	-	8	7	-	5	4	3	2	1										
MX123 CONN ASSY 73 CKT GRY OPT9 KEY B/24	345662553	C-HSG-B9	G-CAP-9-P	TPA-B9	RS	LS	MAL	CPA	MSEAL	RSEAL	-	-	-	69	-	-	-	65	64	63	-	-	-	-	-	-	-	-	-										
											-	-	-	49	-	-	-	45	44	43	-	-	-	-	-	-	-	-	-	-	-	-	-	-	-				
														-	-	-	-	-	-	-	-	-	-	22	21	20	19	18	17										
														-	-	-	-	12	11	-	-	-	7	6	5	4	3	2	1										
MX123 CONN ASSY 73 CKT BLK OPT9 KEY A/36	345662563	C-HSG-A9	G-CAP-9-P	TPA-A9	RS	LS	MAL	CPA	MSEAL	RSEAL	72	71	70	-	68	67	66	65	64	-	-	-	60	59	-	-	-	-	-	-	-								
											-	-	-	-	48	47	46	45	-	-	-	-	40	39	38	-	-	-	-	-	-	-	-	-	-	-			
														-	31	30	-	-	-	-	25	24	23	22	21	20	-	-	17										
														-	15	-	-	-	-	-	9	8	7	6	5	4	-	2	1										
MX123 CONN ASSY 73 CKT BLU OPT9 KEY C/42	345662573	C-HSG-C9	G-CAP-9-P	TPA-C9	RS	LS	MAL	CPA	MSEAL	RSEAL	-	71	-	69	68	67	-	65	64	-	-	61	60	-	58	-	56	55	54	-									
											-	-	50	49	48	47	-	45	-	43	-	41	-	-	38	37	36	35	-	-									
														32	31	-	29	28	27	-	-	24	23	-	-	-	19	18	17										
														16	-	-	13	12	11	-	-	8	7	-	-	-	3	2	1										
MX123 CONN ASSY 73 CKT BLK OPT0 KEY A/43	345662583	C-HSG-A0	G-CAP-0-P	TPA-A0	RS	LS	MAL	CPA	MSEAL	RSEAL	72	71	70	-	68	67	66	65	64	-	62	61	60	59	-	57	-	-	-	-	-	-							
											-	-	-	-	48	47	46	45	-	-	-	-	40	-	38	37	-	-	-	-	-	-	-	-	-	-			
														-	31	30	29	-	27	-	25	24	23	22	21	20	-	-	17										
														-	15	-	13	-	11	-	9	8	7	6	5	4	-	2	1										
MX123 CONN ASSY 73 CKT BLU OPT0 KEY C/44	345662593	C-HSG-C0	G-CAP-0-P	TPA-C0	RS	LS	MAL	CPA	MSEAL	RSEAL	-	71	-	69	68	67	-	65	64	-	-	61	60	-	58	-	56	55	54	-									
											-	-	50	49	48	47	-	45	-	43	-	41	-	-	38	37	36	35	-	-									
														-	31	-	29	28	-	-	-	24	23	-	-	20	19	18	17										
														16	-	-	13	12	11	-	-	8	7	-	5	4	3	2	1										

ASSEMBLY DESCRIPTION	ASSEMBLY PART NUMBER	CONNECTOR HOUSING	GROMMET CAP	TPA	RIGHT SLIDE	LEFT SLIDE	MATE ASSIST LEVER	CPA	MAT SEAL	RING SEAL	BLOCKED TERMINALS																				STATUS	COMMENTS	INTEGRAL COMPONENTS SOLD SEPARATELY
											CAVITY WITH A NUMBER INDICATES BLOCKED TERMINAL POSITION																						DRESS COVER
											CAVITY WITHOUT A NUMBER INDICATES OPEN TERMINAL POSITION																						
MX123 CONN ASSY 73 CKT GRY OPT0 KEY B/53	345662603	C-HSG-B0	G-CAP-0-P	TPA-B0	RS	LS	MAL	CPA	MSEAL	RSEAL	72	71	70	69	68	-	-	-	64	63	62	61	60	-	58	-	56	-	54	-			
											52	51	50	-	-	-	46	45	-	43	42	41	40	-	38	-	36	-	34	-			
															32	31	30	-	-	27	26	25	24	-	22	-	20	19	18	17			
															16	15	14	13	12	11	10	9	8	-	6	5	4	3	2	1			
MX123 CONN ASSY 73 CKT BLU OPT9 KEY C/41	345662613	C-HSG-C0	G-CAP-9-P	TPA-C0	RS	LS	MAL	CPA	MSEAL	RSEAL	-	71	-	69	68	-	-	65	64	-	-	61	60	-	58	-	56	55	54	-			
											-	-	50	49	48	47	-	45	-	43	-	41	-	-	38	37	36	35	-	-			
															32	31	-	29	28	-	-	-	24	23	-	-	-	19	18	17			
															16	-	-	13	12	11	-	-	8	7	-	-	-	3	2	1			
MX123 CONN ASSY 73 CKT BLK OPT0 KEY A/34	345662623	C-HSG-A0	G-CAP-0-P	TPA-A0	RS	LS	MAL	CPA	MSEAL	RSEAL	72	-	70	-	-	-	66	-	-	-	62	-	60	-	58	-	-	55	54	53			
											52	51	-	-	48	-	46	45	44	43	42	-	40	39	-	-	-	35	-	-			
															-	-	-	-	-	-	26	25	-	-	22	21	-	-	-	17			
															-	15	14	-	-	-	-	-	8	-	6	5	-	3	2	1			
MX123 CONN ASSY 73 CKT BLK OPT0 KEY A/38	345662633	C-HSG-A0	G-CAP-0-P	TPA-A0	RS	LS	MAL	CPA	MSEAL	RSEAL	72	-	70	-	-	-	66	-	-	-	63	62	-	60	-	58	-	-	55	54	53		
											52	51	-	-	48	-	46	45	44	43	42	-	40	39	-	-	-	35	34	-			
															-	-	-	-	-	-	26	25	-	-	22	21	-	-	-	17			
															-	15	14	13	12	-	-	-	8	-	6	5	-	3	2	1			
MX123 CONN ASSY 73 CKT BLK OPT0 KEY A/32	345662643	C-HSG-A0	G-CAP-0-P	TPA-A0	RS	LS	MAL	CPA	MSEAL	RSEAL	72	-	70	-	-	-	66	-	-	-	62	-	60	-	58	-	-	55	54	53			
											52	51	-	-	48	-	46	45	44	43	42	-	40	-	-	-	-	35	-	-			
															-	-	-	-	-	-	26	25	-	-	-	21	-	-	-	17			
															-	15	14	-	-	-	-	-	8	-	6	5	-	3	2	1			
MX123 CONN ASSY 73 CKT BLK OPT0 KEY A/36	345662653	C-HSG-A0	G-CAP-0-P	TPA-A0	RS	LS	MAL	CPA	MSEAL	RSEAL	72	-	70	-	-	-	66	-	-	-	63	62	-	60	-	58	-	-	55	54	53		
											52	51	-	-	48	-	46	45	44	43	42	-	40	-	-	-	-	35	34	-			
															-	-	-	-	-	-	26	25	-	-	-	21	-	-	-	17			
															-	15	14	13	12	-	-	-	8	-	6	5	-	3	2	1			
MX123 CONN ASSY 73 CKT GRY OPT0 KEY B/27	345662693	C-HSG-B0	G-CAP-0-P	TPA-B0	RS	LS	MAL	CPA	MSEAL	RSEAL	72	-	-	69	-	67	-	-	-	64	63	62	61	-	-	-	-	56	55	-	-		
											52	-	-	-	-	47	-	-	44	-	-	-	-	-	-	-	-	-	34	-			
															-	-	-	29	28	27	26	25	-	-	-	21	-	19	18	17			
															-	-	14	-	-	-	-	-	-	-	-	-	-	3	2	1			
MX123 CONN ASSY 73 CKT GRY OPT0 KEY B/55	345662703	C-HSG-B0	G-CAP-0-P	TPA-B0	RS	LS	MAL	CPA	MSEAL	RSEAL	72	71	70	69	68	67	66	-	64	63	62	61	60	-	58	-	56	-	54	-			
											52	51	50	-	-	-	46	45	-	43	42	41	40	-	38	-	36	-	34	-			
															32	31	30	-	-	27	26	25	24	-	22	-	20	19	18	17			
															16	15	14	13	12	11	10	9	8	-	6	5	4	3	2	1			
MX123 CONN ASSY 73 CKT BLK OPT0 KEY A/33	345662713	C-HSG-A0	G-CAP-0-P	TPA-A0	RS	LS	MAL	CPA	MSEAL	RSEAL	72	71	70	-	-	67	66	-	-	-	62	-	-	-	-	57	-	55	54	53			
											-	51	-	-	48	-	46	45	44	43	42	-	40	39	-	-	-	35	-	-			
															-	-	-	-	-	-	26	-	-	-	22	21	-	-	-	-			
															-	15	14	-	-	-	-	-	8	7	6	5	4	3	2	-			
MX123 CONN ASSY 73 CKT GRY OPT0 KEY B/20	345662723	C-HSG-B0	G-CAP-0-P	TPA-B0	RS	LS	MAL	CPA	MSEAL	RSEAL	72	-	-	69	-	67	-	-	-	-	62	61	-	-	-	-	-	-	-				
											52	-	-	-	-	47	-	-	44	-	-	-	-	-	-	-	-	-	34	-			
															-	-	-	29	28	27	26	25	-	-	-	21	-	-	18	17			
															-	-	14	-	-	-	-	-	-	-	-	-	-	-	-	1			
MX123 CONN ASSY 73 CKT BLK OPT0 KEY A/35	345662733	C-HSG-A0	G-CAP-0-P	TPA-A0	RS	LS	MAL	CPA	MSEAL	RSEAL	72	71	-	69	-	-	-	-	64	63	62	61	60	59	-	-	56	-	54	53			
											52	51	50	-	48	-	46	45	-	-	-	-	40	-	38	-	36	35	34	33			
															-	31	-	29	28	-	26	-	-	-	22	-	-	-	-	-			
															-	-	14	-	12	11	-	-	-	7	-	-	4	-	-	-			
MX123 CONN ASSY 73 CKT BLU OPT0 KEY C/41	345662743	C-HSG-C0	G-CAP-0-P	TPA-C0	RS	LS	MAL	CPA	MSEAL	RSEAL	-	71	-	69	68	-	-	65	64	-	-	61	60	-	58	-	56	55	54	-			
											-	-	50	49	48	47	-	45	-	43	-	41	-	-	38	37	36	35	-	-			
															-	31	-	29	28	27	-	-	24	23	-	-	-	19	18	17			
															16	-	-	13	12	11	-	-	8	7	-	-	-	3	2	1			

ASSEMBLY DESCRIPTION	ASSEMBLY PART NUMBER	CONNECTOR HOUSING	GROMMET CAP	TPA	RIGHT SLIDE	LEFT SLIDE	MATE ASSIST LEVER	CPA	MAT SEAL	RING SEAL	BLOCKED TERMINALS																				STATUS	COMMENTS	INTEGRAL COMPONENTS SOLD SEPARATELY
											CAVITY WITH A NUMBER INDICATES BLOCKED TERMINAL POSITION CAVITY WITHOUT A NUMBER INDICATES OPEN TERMINAL POSITION																						
											DRESS COVER																						
MX123 CONN ASSY 73 CKT BLK OPT0 KEY A/38	345662753	C-HSG-A0	G-CAP-0-P	TPA-A0	RS	LS	MAL	CPA	MSEAL	RSEAL	72	71	70	69	68	67	66	65	64	-	-	-	60	59	-	-	-	-	-	-			
											-	-	50	-	48	47	46	45	-	-	-	-	40	39	38	-	-	-	-	-	-	-	
															-	31	30	-	-	-	-	25	24	23	22	21	20	-	-	17			
MX123 CONN ASSY 73 CKT GRY OPT0 KEY B/25	345662763	C-HSG-B0	G-CAP-0-P	TPA-B0	RS	LS	MAL	CPA	MSEAL	RSEAL	-	-	-	69	-	-	-	65	64	63	-	-	-	-	-	-	-	-	-				
											-	-	-	49	-	-	-	45	44	43	-	-	-	-	-	-	-	-	-	-	-		
															-	-	-	-	-	-	-	-	23	22	21	20	19	18	17				
MX123 CONN ASSY 73 CKT BLK OPT9 KEY A/43	345662793	C-HSG-A9	G-CAP-9-P	TPA-A9	RS	LS	MAL	CPA	MSEAL	RSEAL	72	71	70	69	68	-	-	65	64	63	62	61	60	59	58	57	56	55	54	53			
											52	51	50	49	-	-	46	45	44	43	42	-	40	39	38	37	36	35	34	33			
															-	-	-	-	28	-	26	-	24	23	-	-	20	-	-				
MX123 CONN ASSY 73 CKT GRY OPT9 KEY B/22	345662813	C-HSG-B9	G-CAP-9-P	TPA-B9	RS	LS	MAL	CPA	MSEAL	RSEAL	-	-	-	-	-	-	-	-	63	-	-	-	-	-	-	-	-	-	53				
											-	-	-	-	-	47	-	45	-	43	42	41	-	39	38	-	-	35	34	33			
															-	-	-	-	-	26	-	-	23	22	-	-	19	-	17				
MX123 CONN ASSY 73 CKT BLK OPT0 KEY A/46	345662823	C-HSG-A0	G-CAP-0-P	TPA-A0	RS	LS	MAL	CPA	MSEAL	RSEAL	72	71	70	69	68	-	-	65	64	63	62	61	60	59	58	57	56	55	54	53			
											52	51	50	49	48	-	46	45	44	43	42	-	40	39	38	37	36	35	34	33			
															-	-	-	-	28	-	26	-	24	23	-	-	20	-	-				
MX123 CONN ASSY 73 CKT GRY OPT0 KEY B/26	345662833	C-HSG-B0	G-CAP-0-P	TPA-B0	RS	LS	MAL	CPA	MSEAL	RSEAL	-	-	-	-	-	-	-	64	63	62	-	-	59	58	-	-	-	-	53				
											-	-	-	-	-	47	-	45	-	43	42	41	-	39	38	-	-	35	34	33			
															-	-	-	-	-	26	25	-	23	22	-	-	-	-	-				
MX123 CONN ASSY 73 CKT BLK OPT0 KEY A/44	345662843	C-HSG-A0	G-CAP-0-P	TPA-A0	RS	LS	MAL	CPA	MSEAL	RSEAL	72	71	70	69	68	-	-	65	64	63	62	61	60	59	58	57	56	55	54	53			
											52	51	50	49	48	-	46	45	44	43	42	-	40	39	38	37	36	35	34	33			
															-	-	-	-	28	-	26	-	24	23	-	-	20	-	-				
MX123 CONN ASSY 73 CKT GRY OPT0 KEY B/24	345662853	C-HSG-B0	G-CAP-0-P	TPA-B0	RS	LS	MAL	CPA	MSEAL	RSEAL	-	-	-	-	-	-	-	-	62	-	-	59	58	-	-	-	-	53					
											-	-	-	-	-	47	-	45	-	43	42	41	-	39	38	-	-	35	34	33			
															-	-	-	-	-	26	25	-	23	22	-	-	-	-	-	17			
MX123 CONN ASSY 73 CKT BLK OPT0 KEY A/23	345662863	C-HSG-A0	G-CAP-0-P	TPA-A0	RS	LS	MAL	CPA	MSEAL	RSEAL	-	-	-	-	-	-	-	65	-	-	-	61	-	-	58	57	56	-	-	-			
											-	51	50	-	-	47	-	45	-	-	-	41	-	-	38	37	36	-	-	-			
															-	31	30	-	-	-	26	25	-	-	22	21	20	-	-	-			
MX123 CONN ASSY 73 CKT GRY OPT0 KEY B/37	345662873	C-HSG-B0	G-CAP-0-P	TPA-B0	RS	LS	MAL	CPA	MSEAL	RSEAL	-	-	-	-	-	-	-	65	64	63	62	61	60	-	-	-	-	54	-				
											-	-	-	-	-	-	46	45	44	43	42	41	40	-	-	-	-	-	34	-			
															32	31	30	29	28	27	26	25	24	-	-	-	20	19	18	17			
MX123 CONN ASSY 73 CKT BLK OPT0 KEY A/39	345662883	C-HSG-A0	G-CAP-0-P	TPA-A0	RS	LS	MAL	CPA	MSEAL	RSEAL	72	71	-	-	68	67	66	65	64	-	-	-	60	59	-	-	-	-	-	-			
											-	-	50	-	48	47	46	45	-	-	-	-	40	39	38	-	-	35	-	33			
															-	31	30	-	-	-	-	25	24	23	22	21	20	-	-	17			
MX123 CONN ASSY 73 CKT BLK OPT0 KEY A/35	345662893	C-HSG-A0	G-CAP-0-P	TPA-A0	RS	LS	MAL	CPA	MSEAL	RSEAL	-	71	70	-	68	-	66	-	64	-	62	61	-	59	58	-	-	55	54	-			
											52	51	50	-	48	-	-	45	-	-	42	41	-	39	38	-	-	-	34	-			
															32	-	-	-	-	27	26	25	-	23	22	-	-	19	18	-			

ASSEMBLY DESCRIPTION	ASSEMBLY PART NUMBER	CONNECTOR HOUSING	GROMMET CAP	TPA	RIGHT SLIDE	LEFT SLIDE	MATE ASSIST LEVER	CPA	MAT SEAL	RING SEAL	BLOCKED TERMINALS																STATUS	COMMENTS	INTEGRAL COMPONENTS SOLD SEPARATELY					
											CAVITY WITH A NUMBER INDICATES BLOCKED TERMINAL POSITION																		DRESS COVER					
											CAVITY WITHOUT A NUMBER INDICATES OPEN TERMINAL POSITION																							
MX123 CONN ASSY 73 CKT BLK OPT0 KEY A/24	345662903	C-HSG-A0	G-CAP-0-P	TPA-A0	RS	LS	MAL	CPA	MSEAL	RSEAL	-	-	-	-	-	-	-	-	65	-	-	-	-	60	-	58	57	56	-	-	-			
											-	-	50	-	-	47	46	45	-	-	-	-	40	-	38	37	36	-	-	-				
																											-	-	30	-	28	-	26	-
																-	15	14	-	-	-	10	-	-	-	-	-	-	-	-	-	-	-	-
MX123 CONN ASSY 73 CKT GRY OPT0 KEY B/55	345662913	C-HSG-B0	G-CAP-0-P	TPA-B0	RS	LS	MAL	CPA	MSEAL	RSEAL	72	71	70	69	-	-	66	65	-	63	62	61	60	59	-	57	56	55	54	53				
											52	51	50	49	48	47	-	-	44	43	42	41	40	39	-	37	36	35	34	33				
																											-	31	-	-	-	-	26	25
																16	-	14	-	12	11	-	9	8	7	6	5	4	3	2	-	-	-	-
MX123 CONN ASSY 73 CKT GRY OPT0 KEY B/59	345662923	C-HSG-B0	G-CAP-0-P	TPA-B0	RS	LS	MAL	CPA	MSEAL	RSEAL	72	71	70	69	-	-	66	65	-	63	62	61	60	59	58	57	56	55	54	53				
											52	51	50	49	48	47	-	-	44	43	42	41	40	39	38	37	36	35	34	33				
																											-	31	-	-	-	-	26	25
																16	-	14	-	12	11	-	9	8	7	6	5	4	3	2	1	-	-	-
MX123 CONN ASSY 73 CKT BLK OPT0 KEY A/37	345662933	C-HSG-A0	G-CAP-0-P	TPA-A0	RS	LS	MAL	CPA	MSEAL	RSEAL	-	71	70	-	68	-	66	-	64	-	62	61	-	59	58	-	-	55	54	-				
											52	51	50	-	48	-	46	45	-	-	42	41	-	39	38	-	-	-	34	-				
																											-	-	-	32	-	-	-	-
																-	-	-	13	12	-	-	9	8	7	6	-	-	-	-	-	-	-	-
MX123 CONN ASSY 73 CKT GRY OPT0 KEY B/23	345662943	C-HSG-B0	G-CAP-0-P	TPA-B0	RS	LS	MAL	CPA	MSEAL	RSEAL	72	71	70	69	-	-	66	65	-	-	62	61	60	-	58	-	56	55	54	53				
											52	51	50	49	48	47	-	-	44	-	42	41	40	-	38	-	36	35	34	33				
																											-	31	-	-	-	-	26	25
																16	15	14	13	12	11	-	9	8	7	-	-	-	-	-	2	1	-	-
MX123 CONN ASSY 73 CKT GRY OPT0 KEY B/21	345662953	C-HSG-B0	G-CAP-0-P	TPA-B0	RS	LS	MAL	CPA	MSEAL	RSEAL	72	71	70	69	-	-	66	65	-	-	62	61	60	-	58	57	56	55	54	53				
											52	51	50	49	48	47	-	-	44	-	42	41	40	-	38	37	36	35	-	33				
																											-	31	-	-	-	-	26	25
																16	15	14	13	12	11	-	9	8	7	-	-	-	-	-	2	1	-	-
MX123 CONN ASSY 73 CKT BLK OPT9 KEY A/38	345662983	C-HSG-A9	G-CAP-9-P	TPA-A9	RS	LS	MAL	CPA	MSEAL	RSEAL	72	71	-	-	68	67	66	65	64	-	-	-	60	59	-	-	-	-	-	-				
											-	-	50	-	48	47	46	45	-	-	-	-	40	39	38	-	-	35	-	33				
																											-	31	30	-	-	-	-	25
																-	-	14	-	-	-	-	9	8	7	6	5	4	-	-	-	-	-	-
MX123 CONN ASSY 73 CKT GRY OPT9 KEY B/49	345662993	C-HSG-B9	G-CAP-9-P	TPA-B9	RS	LS	MAL	CPA	MSEAL	RSEAL	-	-	-	69	-	-	-	65	64	63	-	-	-	-	-	-	-	-	-					
											-	-	-	49	-	-	-	45	44	43	-	-	-	-	-	-	-	-	-	-				
																											-	-	-	-	-	-	-	-
																-	-	-	-	12	11	-	-	-	7	6	5	4	3	2	1	-	-	-
MX123 CONN ASSY 73 CKT BLK OPT0 KEY A/6	345663003	C-HSG-A0	G-CAP-0-P	TPA-A0	RS	LS	MAL	CPA	MSEAL	RSEAL	-	-	-	-	-	-	-	65	-	-	-	61	-	-	-	-	-	-	-					
											-	-	-	-	-	-	-	45	-	-	-	-	-	-	-	-	-	-	-	-				
																											-	-	-	-	-	-	26	-
																-	-	-	-	-	-	10	-	-	-	-	-	-	-	-	-	-	-	-
MX123 CONN ASSY 73 CKT BLU OPT9 KEY C/41	345663013	C-HSG-C9	G-CAP-9-P	TPA-C9	RS	LS	MAL	CPA	MSEAL	RSEAL	-	-	-	-	-	-	-	65	64	-	-	61	60	-	58	-	-	-	54	-				
											-	-	50	49	48	47	-	45	-	43	-	41	-	-	-	37	36	35	-	-				
																											-	31	-	29	28	27	-	-
																16	-	-	13	12	11	-	-	8	7	-	-	-	-	2	1	-	-	-
MX123 CONN ASSY 73 CKT BLU OPT0 KEY C/37	345663043	C-HSG-C0	G-CAP-0-P	TPA-C0	RS	LS	MAL	CPA	MSEAL	RSEAL	-	71	-	69	-	67	-	65	64	-	-	61	60	-	58	-	56	55	54	-				
											-	-	50	49	-	-	-	45	-	43	-	41	-	-	38	37	36	35	-	-				
																											-	31	-	29	28	-	-	-
																16	-	-	-	12	11	-	-	8	7	-	-	-	3	2	1	-	-	-
MX123 CONN ASSY 73 CKT BLU OPT0 KEY C/38	345663053	C-HSG-C0	G-CAP-0-P	TPA-C0	RS	LS	MAL	CPA	MSEAL	RSEAL	-	71	-	69	-	67	-	65	64	-	-	61	60	-	58	-	56	55	54	-				
											-	-	50	49	-	-	-	45	-	43	-	41	-	-	37	36	35	-	-					
																											-	31	-	29	28	-	-	-
																16	-	-	-	12	11	-	-	8	7	-	-	-	3	2	1	-	-	-

ASSEMBLY DESCRIPTION	ASSEMBLY PART NUMBER	CONNECTOR HOUSING	GROMMET CAP	TPA	RIGHT SLIDE	LEFT SLIDE	MATE ASSIST LEVER	CPA	MAT SEAL	RING SEAL	BLOCKED TERMINALS																				STATUS	COMMENTS	INTEGRAL COMPONENTS SOLD SEPARATELY					
											CAVITY WITH A NUMBER INDICATES BLOCKED TERMINAL POSITION																						DRESS COVER					
											CAVITY WITHOUT A NUMBER INDICATES OPEN TERMINAL POSITION																											
MX123 CONN ASSY 73 CKT BLK OPT0 KEY A/36	345663063	C-HSG-A0	G-CAP-0-P	TPA-A0	RS	LS	MAL	CPA	MSEAL	RSEAL	72	-	70	-	68	67	66	-	-	-	62	61	-	59	-	-	-	-	-	-	-	SALEABLE		345650003				
											-	-	50	-	48	47	46	-	-	-	-	-	40	39	38	-	-	-	-	-	-				-	-	-	-
															-	31	-	29	-	27	-	25	24	23	22	21	20	-	-	-	17							
MX123 CONN ASSY 73 CKT BLK OPT0 KEY A/39	345663073	C-HSG-A0	G-CAP-0-P	TPA-A0	RS	LS	MAL	CPA	MSEAL	RSEAL	72	-	70	-	68	67	66	-	-	-	62	61	-	59	58	-	-	-	-	-	-	SALEABLE		345650003				
											-	-	50	-	48	47	46	-	-	-	-	-	40	39	38	-	-	-	-	-	-				-	-	-	-
															-	31	-	29	-	27	-	25	24	-	22	21	20	-	-	-	17							
MX123 CONN ASSY 73 CKT BLK OPT0 KEY A/36	345663083	C-HSG-A0	G-CAP-0-P	TPA-A0	RS	LS	MAL	CPA	MSEAL	RSEAL	72	-	70	-	68	67	66	-	-	-	62	61	-	59	-	-	-	-	-	-	-	SALEABLE		345650003				
											-	-	50	-	48	47	46	-	-	-	-	-	40	39	38	-	-	-	-	-	-				-	-	-	-
															-	31	-	29	-	27	-	25	24	23	22	21	20	-	-	-	17							
MX123 CONN ASSY 73 CKT BLK OPT0 KEY A/36	345663093	C-HSG-A0	G-CAP-0-P	TPA-A0	RS	LS	MAL	CPA	MSEAL	RSEAL	72	-	70	-	68	67	66	65	-	-	-	61	-	59	58	-	-	-	-	-	-	SALEABLE		345650003				
											-	-	50	-	48	47	46	-	-	-	-	-	40	39	38	-	-	-	-	-	-				-	-	-	-
															-	31	-	29	-	27	-	25	24	-	22	21	20	-	-	-	17							
MX123 CONN ASSY 73 CKT GRY OPT0 KEY B/48	345663103	C-HSG-B0	G-CAP-0-P	TPA-B0	RS	LS	MAL	CPA	MSEAL	RSEAL	72	71	70	69	68	67	66	-	64	63	-	61	60	-	58	-	56	-	54	-	SALEABLE		345650003					
											52	51	50	-	-	47	-	45	44	43	-	41	40	-	38	-	36	-	34	-				-	-	-	-	-
															32	31	30	-	28	27	-	25	24	-	22	-	20	19	-	17								
MX123 CONN ASSY 73 CKT BLK OPT0 KEY A/39	345663113	C-HSG-A0	G-CAP-0-P	TPA-A0	RS	LS	MAL	CPA	MSEAL	RSEAL	72	-	70	-	68	67	66	-	-	-	62	61	-	59	58	-	-	-	-	-	-	SALEABLE		345650003				
											-	-	50	-	48	47	46	-	-	-	-	-	40	39	38	-	-	-	-	-	-				-	-	-	-
															-	31	-	29	-	27	-	25	24	-	22	-	20	-	-	17								
MX123 CONN ASSY 73 CKT GRY OPT0 KEY B/32	345663123	C-HSG-B0	G-CAP-0-P	TPA-B0	RS	LS	MAL	CPA	MSEAL	RSEAL	-	71	-	69	-	67	-	65	64	63	62	61	-	-	58	57	56	-	-	-	-	SALEABLE		345650003				
											-	51	-	49	-	47	-	45	44	43	42	41	-	-	38	37	36	-	-	-	-				-	-	-	-
															-	-	-	-	-	-	-	-	-	23	22	21	20	19	18	17								
MX123 CONN ASSY 73 CKT BLU OPT0 KEY C/36	345663133	C-HSG-C0	G-CAP-0-P	TPA-C0	RS	LS	MAL	CPA	MSEAL	RSEAL	-	71	-	69	-	-	-	65	64	-	-	61	60	-	58	-	56	55	54	-	SALEABLE		345650003					
											-	-	50	49	-	-	-	45	-	43	-	41	-	-	38	37	36	35	-	-				-	-	-	-	-
															-	31	-	29	28	27	-	-	24	23	-	-	19	18	17									
MX123 CONN ASSY 73 CKT BLU OPT0 KEY C/31	345663143	C-HSG-C0	G-CAP-0-P	TPA-C0	RS	LS	MAL	CPA	MSEAL	RSEAL	-	71	-	69	68	67	-	65	64	-	-	61	60	-	58	-	56	55	54	-	SALEABLE		345650003					
											-	-	50	49	48	47	-	45	-	43	-	41	-	-	38	-	-	35	-	-				-	-	-	-	-
															-	31	-	29	28	27	-	-	24	23	-	-	20	19	18	17								
MX123 CONN ASSY 73 CKT BLK OPT0 KEY A/26	345663153	C-HSG-A0	G-CAP-0-P	TPA-A0	RS	LS	MAL	CPA	MSEAL	RSEAL	72	71	-	-	68	67	66	65	64	-	-	62	61	60	59	-	57	-	55	-	53	-	SALEABLE		345650003			
											-	-	50	-	48	-	46	45	-	-	-	-	40	39	38	37	-	35	-	33	-	-				-	-	-
															-	31	30	29	-	27	-	25	24	23	22	21	20	-	-	17								
MX123 CONN ASSY 73 CKT BLU OPT0 KEY C/35	345663163	C-HSG-C0	G-CAP-0-P	TPA-C0	RS	LS	MAL	CPA	MSEAL	RSEAL	-	71	-	69	68	67	66	65	64	-	-	61	60	-	58	-	-	-	54	-	SALEABLE		345650003					
											-	-	50	49	48	47	-	45	-	43	-	41	-	-	38	-	-	35	-	-				-	-	-	-	-
															-	31	-	29	28	27	-	-	24	23	-	-	20	-	-	17								
MX123 CONN ASSY 73 CKT BLK OPT0 KEY A/29	345663173	C-HSG-A0	G-CAP-0-P	TPA-A0	RS	LS	MAL	CPA	MSEAL	RSEAL	72	71	-	-	68	67	66	65	64	-	-	62	61	60	59	-	57	-	55	-	53	-	SALEABLE		345650003			
											-	-	50	-	48	-	46	45	-	-	-	-	40	39	38	37	-	35	-	33	-	-				-	-	-
															-	31	30	29	-	27	-	25	24	23	22	21	20	-	-	-								

ASSEMBLY DESCRIPTION	ASSEMBLY PART NUMBER	CONNECTOR HOUSING	GROMMET CAP	TPA	RIGHT SLIDE	LEFT SLIDE	MATE ASSIST LEVER	CPA	MAT SEAL	RING SEAL	BLOCKED TERMINALS																		STATUS	COMMENTS	INTEGRAL COMPONENTS SOLD SEPARATELY
											CAVITY WITH A NUMBER INDICATES BLOCKED TERMINAL POSITION CAVITY WITHOUT A NUMBER INDICATES OPEN TERMINAL POSITION																				DRESS COVER
MX123 CONN ASSY 73 CKT BLU OPT0 KEY C/30	345663183	C-HSG-C0	G-CAP-0-P	TPA-C0	RS	LS	MAL	CPA	MSEAL	RSEAL	-	71	-	69	68	67	-	65	64	-	-	61	60	-	58	-	-	-	54	-	
											-	-	50	49	48	47	-	45	-	43	-	41	-	-	38	37	36	35	-	-	
															32	31	-	29	28	27	-	-	24	23	-	-	20	19	18	17	
															16	-	-	13	12	11	-	-	8	7	-	5	4	3	2	1	
MX123 CONN ASSY 73 CKT BLK OPT0 KEY A/31	345663193	C-HSG-A0	G-CAP-0-P	TPA-A0	RS	LS	MAL	CPA	MSEAL	RSEAL	72	71	70	-	68	67	66	65	64	-	62	61	60	59	-	57	-	-	-	-	
											-	-	50	-	48	47	46	45	-	-	-	-	40	39	38	37	-	-	-	-	
															-	31	30	29	-	27	-	25	24	23	22	21	20	-	-	-	
															-	15	14	13	-	11	-	9	8	7	6	5	4	-	-	-	
MX123 CONN ASSY 73 CKT GRY OPT0 KEY B/42	345663203	C-HSG-B0	G-CAP-0-P	TPA-B0	RS	LS	MAL	CPA	MSEAL	RSEAL	72	71	70	69	68	-	66	65	64	63	62	61	-	-	-	-	-	54	-		
											52	51	-	-	-	47	-	45	44	43	42	41	40	-	-	-	36	-	-	-	
															32	31	30	-	28	27	26	25	24	-	-	-	20	19	-	17	
															-	-	-	13	12	11	10	9	8	-	-	-	-	-	2	1	
MX123 CONN ASSY 73 CKT BLU OPT0 KEY C/31	345663213	C-HSG-C0	G-CAP-0-P	TPA-C0	RS	LS	MAL	CPA	MSEAL	RSEAL	-	71	-	69	68	-	-	65	64	-	-	61	60	-	58	57	-	55	54	-	
											-	-	50	49	48	47	-	45	-	43	-	41	-	39	38	37	36	35	-	-	
															-	31	-	29	28	27	-	-	24	23	-	-	20	19	18	17	
															16	-	-	13	12	11	-	-	8	7	-	-	-	3	2	1	
MX123 CONN ASSY 73 CKT BLU OPT0 KEY C/33	345663223	C-HSG-C0	G-CAP-0-P	TPA-C0	RS	LS	MAL	CPA	MSEAL	RSEAL	-	71	-	69	68	-	-	65	64	-	-	61	60	-	58	-	56	55	54	-	
											-	-	50	49	48	47	-	45	-	43	-	41	-	-	38	37	36	35	-	-	
															-	31	-	29	28	-	-	-	24	23	-	-	20	19	18	17	
															16	-	-	13	12	11	-	-	8	7	-	-	-	3	2	1	
MX123 CONN ASSY 73 CKT BLK OPT0 KEY A/36	345663233	C-HSG-A0	G-CAP-0-P	TPA-A0	RS	LS	MAL	CPA	MSEAL	RSEAL	72	71	-	-	68	67	66	65	64	-	-	-	60	59	-	-	-	-	-	-	
											-	-	50	-	48	47	46	45	-	-	-	-	40	39	38	-	-	35	-	33	
															-	31	30	-	-	-	-	25	24	23	22	21	20	-	-	17	
															-	-	14	-	-	-	-	9	8	7	6	5	4	-	2	1	
MX123 CONN ASSY 73 CKT BLU OPT0 KEY C/31	345663243	C-HSG-C0	G-CAP-0-P	TPA-C0	RS	LS	MAL	CPA	MSEAL	RSEAL	-	71	-	69	68	67	-	65	64	-	-	61	60	-	58	-	56	55	54	-	
											-	-	50	49	48	47	-	45	-	43	-	41	-	-	38	37	36	35	-	-	
															-	31	-	29	28	27	-	-	24	23	-	-	20	19	18	17	
															16	-	-	13	12	11	-	-	8	7	-	-	-	3	2	1	
MX123 CONN ASSY 73 CKT BLK OPT0 KEY A/28	345663253	C-HSG-A0	G-CAP-0-P	TPA-A0	RS	LS	MAL	CPA	MSEAL	RSEAL	72	71	-	-	68	67	66	65	64	-	62	61	60	59	-	57	-	-	-	-	
											-	-	50	-	48	47	46	45	-	-	-	-	40	39	38	37	-	35	-	33	
															-	31	30	29	-	27	-	25	24	23	22	21	20	-	-	17	
															-	-	14	13	-	11	-	9	8	7	6	5	4	-	2	1	
MX123 CONN ASSY 73 CKT BLU OPT0 KEY C/36	345663263	C-HSG-C0	G-CAP-0-P	TPA-C0	RS	LS	MAL	CPA	MSEAL	RSEAL	-	71	-	69	68	67	-	65	64	-	-	61	60	-	58	-	56	55	54	-	
											-	-	50	49	48	47	-	45	-	43	-	41	-	-	38	37	36	35	-	-	
															-	31	-	29	28	27	-	-	24	23	-	-	20	19	18	17	
															16	-	-	13	12	11	-	-	8	7	-	-	-	3	2	1	
MX123 CONN ASSY 73 CKT BLK OPT0 KEY A/31	345663273	C-HSG-A0	G-CAP-0-P	TPA-A0	RS	LS	MAL	CPA	MSEAL	RSEAL	72	71	-	-	68	67	66	65	64	-	62	61	60	59	-	57	-	-	-	-	
											-	-	50	-	48	47	46	45	-	-	-	-	40	39	38	37	-	35	-	33	
															-	31	30	29	-	27	-	25	24	23	22	21	20	-	-	17	
															-	-	14	13	-	11	-	9	8	7	6	5	4	-	-	-	
MX123 CONN ASSY 73 CKT BLU OPT0 KEY C/31	345663283	C-HSG-C0	G-CAP-0-P	TPA-C0	RS	LS	MAL	CPA	MSEAL	RSEAL	-	71	-	69	68	-	-	65	64	-	-	61	60	-	58	-	56	55	54	-	
											-	-	50	49	48	47	-	45	-	43	-	41	-	-	38	37	36	35	-	-	
															-	31	-	29	28	27	-	-	24	23	-	-	20	19	18	17	
															16	-	-	13	12	11	-	-	8	7	-	-	-	3	2	1	
MX123 CONN ASSY 73 CKT GRY OPT0 KEY B/49	345663293	C-HSG-B0	G-CAP-0-P	TPA-B0	RS	LS	MAL	CPA	MSEAL	RSEAL	-	-	-	69	-	-	-	65	64	63	-	-	-	-	-	-	-	-	-		
											-	-	-	49	-	-	46	45	44	43	-	-	-	-	-	-	-	-	-	-	
															-	-	-	-	-	-	-	-	-	22	21	20	19	18	17		
															-	-	-	-	12	11	-	-	-	7	6	5	4	3	2	1	

ASSEMBLY DESCRIPTION	ASSEMBLY PART NUMBER	CONNECTOR HOUSING	GROMMET CAP	TPA	RIGHT SLIDE	LEFT SLIDE	MATE ASSIST LEVER	CPA	MAT SEAL	RING SEAL	BLOCKED TERMINALS																		STATUS	COMMENTS	INTEGRAL COMPONENTS SOLD SEPARATELY
											CAVITY WITH A NUMBER INDICATES BLOCKED TERMINAL POSITION CAVITY WITHOUT A NUMBER INDICATES OPEN TERMINAL POSITION																				DRESS COVER
MX123 CONN ASSY 73 CKT GRY OPT0 KEY B/44	345663303	C-HSG-B0	G-CAP-0-P	TPA-B0	RS	LS	MAL	CPA	MSEAL	RSEAL	72	71	70	69	68	67	66	65	64	63	62	61	60	-	-	-	-	-	54	-	
											52	51	-	-	-	47	-	45	44	43	42	41	40	-	-	-	36	-	-	-	
															32	31	30	-	28	27	26	25	24	-	-	-	20	19	-	17	
MX123 CONN ASSY 73 CKT BLU OPT0 KEY C/28	345663313	C-HSG-C0	G-CAP-0-P	TPA-C0	RS	LS	MAL	CPA	MSEAL	RSEAL	-	71	-	69	68	67	66	65	64	-	-	61	60	-	58	-	56	55	54	-	
											-	-	50	49	48	47	-	45	-	43	-	41	-	-	38	37	36	35	-	-	
															-	31	-	29	28	27	-	-	24	23	-	-	20	19	18	17	
MX123 CONN ASSY 73 CKT GRY OPT0 KEY B/25	345663323	C-HSG-B0	G-CAP-0-P	TPA-B0	RS	LS	MAL	CPA	MSEAL	RSEAL	72	71	70	69	-	-	-	-	-	-	62	61	60	59	-	57	56	-	54	53	
											52	51	50	-	-	47	-	-	-	-	42	41	40	39	-	37	36	35	34	33	
															-	31	-	-	-	-	26	25	24	23	-	21	20	19	18	-	
MX123 CONN ASSY 73 CKT BLK OPT0 KEY A/49	345663333	C-HSG-A0	G-CAP-0-P	TPA-A0	RS	LS	MAL	CPA	MSEAL	RSEAL	-	-	-	-	-	67	66	-	-	-	62	-	60	-	-	-	55	-	53		
											-	-	-	-	48	-	46	45	44	43	-	-	40	39	-	-	-	35	-	-	
															-	-	-	-	-	-	25	-	-	22	21	-	-	-	-	-	
MX123 CONN ASSY 73 CKT BLK OPT0 KEY A/41	345663343	C-HSG-A0	G-CAP-0-P	TPA-A0	RS	LS	MAL	CPA	MSEAL	RSEAL	-	71	70	-	68	-	-	-	64	-	62	61	-	59	58	-	-	55	54	-	
											52	51	50	-	48	-	46	45	-	-	-	41	-	39	38	-	-	-	34	-	
															32	-	-	-	-	27	-	25	-	23	22	-	-	19	18	-	-
MX123 CONN ASSY 73 CKT GRY OPT0 KEY B/23	345663353	C-HSG-B0	G-CAP-0-P	TPA-B0	RS	LS	MAL	CPA	MSEAL	RSEAL	72	71	70	69	-	-	66	65	-	63	62	61	60	-	-	57	56	55	-	53	
											52	51	50	49	48	47	-	-	44	43	42	41	40	-	-	37	36	35	34	33	
															-	31	-	-	-	-	26	25	24	-	-	21	20	19	18	-	
MX123 CONN ASSY 73 CKT BLK OPT0 KEY A/45	345663363	C-HSG-A0	G-CAP-0-P	TPA-A0	RS	LS	MAL	CPA	MSEAL	RSEAL	72	-	70	-	-	67	66	-	-	-	62	-	60	-	58	-	-	55	-	53	
											-	51	-	-	48	-	46	45	44	43	-	-	-	-	-	-	-	35	-	-	
															-	-	-	-	-	-	25	-	-	-	21	-	-	-	17	-	-
MX123 CONN ASSY 73 CKT BLU OPT9 KEY C/41	345663373	C-HSG-C9	G-CAP-9-P	TPA-C9	RS	LS	MAL	CPA	MSEAL	RSEAL	-	71	-	69	-	-	-	65	64	-	-	61	60	-	58	-	-	54	-		
											-	-	50	49	-	-	-	45	-	43	-	41	-	-	-	37	36	35	-	-	
															-	31	-	29	28	27	-	-	24	23	-	-	20	-	-	17	-
MX123 CONN ASSY 73 CKT BLK OPT0 KEY A/44	345663383	C-HSG-A0	G-CAP-0-P	TPA-A0	RS	LS	MAL	CPA	MSEAL	RSEAL	72	71	-	-	-	67	66	-	-	-	62	-	60	-	-	-	55	-	53		
											-	51	-	-	-	-	46	45	44	43	-	-	40	39	-	-	-	35	-	-	
															-	-	-	-	-	-	25	-	-	22	21	-	-	-	17	-	-
MX123 CONN ASSY 73 CKT BLU OPT0 KEY C/35	345663393	C-HSG-C0	G-CAP-0-P	TPA-C0	RS	LS	MAL	CPA	MSEAL	RSEAL	-	71	-	69	-	-	-	65	64	-	-	61	60	-	58	-	56	55	54	-	
											-	-	50	49	-	-	-	45	-	43	-	41	-	-	38	37	36	35	-	-	
															-	31	-	29	28	27	-	-	24	23	-	-	20	19	18	17	-
MX123 CONN ASSY 73 CKT BLK OPT0 KEY A/6	345663403	C-HSG-A0	G-CAP-0-P	TPA-A0	RS	LS	MAL	CPA	MSEAL	RSEAL	-	-	-	-	-	-	-	65	-	-	-	61	-	-	-	-	-	-	-		
											-	-	-	-	-	-	-	45	-	-	-	-	-	-	-	-	-	-	-	-	
															-	-	-	-	-	-	26	-	-	-	-	-	-	-	-	-	-
MX123 CONN ASSY 73 CKT BLK OPT0 KEY A/45	345663413	C-HSG-A0	G-CAP-0-P	TPA-A0	RS	LS	MAL	CPA	MSEAL	RSEAL	-	71	-	69	68	-	-	-	64	63	62	-	60	59	-	-	56	-	-	53	
											52	51	-	-	48	-	46	-	-	-	-	-	40	-	38	-	36	-	34	33	
															-	31	-	29	28	-	-	-	-	23	22	-	-	-	-	-	-

ASSEMBLY DESCRIPTION	ASSEMBLY PART NUMBER	CONNECTOR HOUSING	GROMMET CAP	TPA	RIGHT SLIDE	LEFT SLIDE	MATE ASSIST LEVER	CPA	MAT SEAL	RING SEAL	BLOCKED TERMINALS																		STATUS	COMMENTS	INTEGRAL COMPONENTS SOLD SEPARATELY
											CAVITY WITH A NUMBER INDICATES BLOCKED TERMINAL POSITION																				DRESS COVER
											CAVITY WITHOUT A NUMBER INDICATES OPEN TERMINAL POSITION																				
MX123 CONN ASSY 73 CKT BLU OPT9 KEY C/31	345663423	C-HSG-C9	G-CAP-9-P	TPA-C9	RS	LS	MAL	CPA	MSEAL	RSEAL	72	71	70	-	68	67	66	65	64	-	62	61	60	59	-	57	-	-	-	-	
											-	-	50	-	48	47	46	45	-	-	-	-	40	39	38	37	-	-	-	-	
											-																				
MX123 CONN ASSY 73 CKT BLU OPT9 KEY C/30	345663433	C-HSG-C9	G-CAP-9-P	TPA-C9	RS	LS	MAL	CPA	MSEAL	RSEAL	-	71	-	69	68	67	-	65	64	-	-	61	60	-	58	-	-	-	54	-	
											-	-	50	49	48	47	-	45	-	43	-	41	-	-	38	37	36	35	-	-	
											-																				
MX123 CONN ASSY 73 CKT BLK OPT0 KEY A/36	345663443	C-HSG-A0	G-CAP-0-P	TPA-A0	RS	LS	MAL	CPA	MSEAL	RSEAL	72	-	70	-	68	67	66	-	-	-	62	61	-	59	58	-	-	-	-	-	
											-	-	50	-	48	47	46	-	-	-	-	-	40	39	38	-	-	-	-	-	
											-																				
MX123 CONN ASSY 73 CKT BLK OPT0 KEY A/6	345663453	C-HSG-A0	G-CAP-0-P	TPA-A0	RS	LS	MAL	CPA	MSEAL	RSEAL	72	71	70	69	68	67	66	65	64	63	62	-	60	59	58	57	56	55	54	53	
											52	51	50	49	48	47	46	45	44	43	42	41	40	39	38	37	36	35	34	33	
											-																				
MX123 CONN ASSY 73 CKT GRY OPT9 KEY B/54	345663473	C-HSG-B9	G-CAP-9-P	TPA-B9	RS	LS	MAL	CPA	MSEAL	RSEAL	-	-	-	-	-	-	-	-	-	63	-	-	-	-	-	-	-	-	53		
											-	-	-	-	48	47	-	45	-	43	42	41	-	39	-	-	-	35	34	33	
											-																				
MX123 CONN ASSY 73 CKT GRY OPT0 KEY B/51	345663483	C-HSG-B0	G-CAP-0-P	TPA-B0	RS	LS	MAL	CPA	MSEAL	RSEAL	-	-	-	-	-	-	-	64	63	62	-	-	59	58	-	-	-	-	53		
											-	-	-	-	-	47	-	45	-	43	42	41	-	39	-	-	-	35	34	33	
											-																				
MX123 CONN ASSY 73 CKT BLK OPT0 KEY A/44	345663493	C-HSG-A0	G-CAP-0-P	TPA-A0	RS	LS	MAL	CPA	MSEAL	RSEAL	-	71	-	69	68	-	-	-	64	63	62	-	60	59	-	-	56	-	-	53	
											52	51	50	-	48	-	46	-	-	-	-	-	40	-	38	-	36	-	34	33	
											-																				
MX123 CONN ASSY 73 CKT BLK OPT0 KEY A/32	345663503	C-HSG-A0	G-CAP-0-P	TPA-A0	RS	LS	MAL	CPA	MSEAL	RSEAL	-	-	70	-	-	-	-	65	-	-	-	61	-	-	58	57	56	55	54	53	
											-	51	50	-	-	47	-	45	-	-	-	41	-	-	38	37	36	-	34	-	
											-																				
MX123 CONN ASSY 73 CKT BLK OPT0 KEY A/37	345663513	C-HSG-A0	G-CAP-0-P	TPA-A0	RS	LS	MAL	CPA	MSEAL	RSEAL	72	71	-	-	68	67	66	65	64	-	-	-	-	59	-	-	-	-	-		
											-	-	50	-	48	47	46	45	-	-	-	-	40	39	38	-	-	35	-	33	
											-																				
MX123 CONN ASSY 73 CKT BLK OPT0 KEY A/31	345663523	C-HSG-A0	G-CAP-0-P	TPA-A0	RS	LS	MAL	CPA	MSEAL	RSEAL	-	71	-	69	68	67	-	65	64	-	-	61	60	59	58	57	-	-	-	53	
											-	51	50	-	48	47	46	45	44	-	-	41	40	39	38	37	-	-	-	33	
											-																				
MX123 CONN ASSY 73 CKT BLK OPT9 KEY A/31	345663533	C-HSG-A9	G-CAP-9-P	TPA-A9	RS	LS	MAL	CPA	MSEAL	RSEAL	72	71	70	-	68	67	66	65	64	-	62	61	60	59	-	57	-	-	-	-	
											-	-	50	-	48	47	46	45	-	-	-	-	40	39	38	37	-	-	-	-	
											-																				
MX123 CONN ASSY 73 CKT BLK OPT9 KEY A/30	345663543	C-HSG-A9	G-CAP-9-P	TPA-A9	RS	LS	MAL	CPA	MSEAL	RSEAL	-	71	-	69	68	67	-	65	64	-	-	61	60	-	58	-	-	-	54	-	
											-	-	50	49	48	47	-	45	-	43	-	41	-	-	38	37	36	35	-	-	
											-																				

ASSEMBLY DESCRIPTION	ASSEMBLY PART NUMBER	CONNECTOR HOUSING	GROMMET CAP	TPA	RIGHT SLIDE	LEFT SLIDE	MATE ASSIST LEVER	CPA	MAT SEAL	RING SEAL	BLOCKED TERMINALS																STATUS	COMMENTS	INTEGRAL COMPONENTS SOLD SEPARATELY													
											CAVITY WITH A NUMBER INDICATES BLOCKED TERMINAL POSITION																		DRESS COVER													
											CAVITY WITHOUT A NUMBER INDICATES OPEN TERMINAL POSITION																															
MX123 CONN ASSY 73 CKT BLU OPT9 KEY C/54	345663673	C-HSG-C9	G-CAP-9-P	TPA-C9	RS	LS	MAL	CPA	MSEAL	RSEAL	72	-	-	-	-	-	66	-	64	-	-	-	60	-	-	-	-	-	-	-	-	-	-									
											52	-	-	-	-	-	47	46	-	-	-	-	-	-	-	-	-	-	-	37	-	-	-	-	-	-	-	-	-			
																						32	-	-	-	-	-	-	25	24	23	-	21	-	-	-	-	-	-	-	-	
																						-	-	-	13	12	11	10	-	8	-	-	-	4	-	-	-	-	-	-	-	
MX123 CONN ASSY 73 CKT BLU OPT0 KEY C/37	345663693	C-HSG-C0	G-CAP-0-P	TPA-C0	RS	LS	MAL	CPA	MSEAL	RSEAL	-	71	-	69	-	-	-	65	64	-	-	61	60	-	58	-	56	55	54	-	-											
											-	-	50	49	-	-	-	45	-	43	-	41	-	-	-	37	36	35	-	-	-	-	-	-	-	-	-	-				
																						-	31	-	29	28	-	-	-	24	23	-	-	20	19	18	17	-	-	-	-	-
																						16	-	-	13	12	11	-	-	8	7	-	-	-	3	2	1	-	-	-	-	-
MX123 CONN ASSY 73 CKT BLK OPT0 KEY A/55	345663703	C-HSG-A0	G-CAP-0-P	TPA-A0	RS	LS	MAL	CPA	MSEAL	RSEAL	72	71	70	69	-	-	-	-	64	63	62	61	60	-	58	57	56	-	54	-	-											
											52	51	50	-	-	-	-	46	45	-	43	42	41	40	-	38	37	36	-	34	-	-	-	-	-	-	-					
																						32	31	30	-	-	-	27	26	25	24	-	22	21	20	19	18	17	-	-	-	-
																						16	15	14	13	12	11	10	9	8	-	6	5	4	3	2	1	-	-	-	-	-
MX123 CONN ASSY 73 CKT BLU OPT0 KEY C/36	345663713	C-HSG-C0	G-CAP-0-P	TPA-C0	RS	LS	MAL	CPA	MSEAL	RSEAL	-	71	-	69	-	-	-	65	64	-	-	61	60	-	58	-	56	55	54	-	-											
											-	-	50	49	-	-	-	45	-	43	-	41	-	-	-	38	37	36	35	-	-	-	-	-	-	-	-	-				
																						-	31	-	29	28	-	-	-	24	23	-	-	20	19	18	17	-	-	-	-	-
																						16	-	-	13	12	11	-	-	8	7	-	-	-	3	2	1	-	-	-	-	-
MX123 CONN ASSY 73 CKT BLK OPT0 KEY A/38	345663723	C-HSG-A0	G-CAP-0-P	TPA-A0	RS	LS	MAL	CPA	MSEAL	RSEAL	72	71	-	-	68	67	66	65	64	-	-	-	60	59	-	-	-	-	-	-	-	-										
											-	-	-	-	48	47	46	45	-	-	-	-	40	39	38	-	-	35	-	33	-	-	-	-	-	-	-					
																						-	31	30	-	-	-	-	25	24	23	22	21	20	-	-	17	-	-	-	-	-
																						-	-	-	-	-	-	-	9	8	7	6	5	4	-	2	1	-	-	-	-	-
MX123 CONN ASSY 73 CKT GRY OPT0 KEY B/50	345663733	C-HSG-B0	G-CAP-0-P	TPA-B0	RS	LS	MAL	CPA	MSEAL	RSEAL	-	-	-	69	-	-	-	65	64	63	-	-	-	-	-	-	-	-	-	-	-											
											-	-	-	49	-	-	-	45	44	43	-	-	-	-	-	-	-	-	-	-	-	-	-	-	-	-	-	-				
																						-	-	-	-	-	-	-	-	-	-	22	21	20	19	18	17	-	-	-	-	-
																						-	-	-	-	12	11	-	-	-	7	6	5	4	3	2	1	-	-	-	-	-
MX123 CONN ASSY 73 CKT BLU OPT0 KEY C/36	345663743	C-HSG-C0	G-CAP-0-P	TPA-C0	RS	LS	MAL	CPA	MSEAL	RSEAL	-	71	-	69	-	67	-	65	64	-	-	61	60	-	58	-	56	55	54	-	-											
											-	-	50	49	-	-	-	45	-	43	-	41	-	-	-	37	36	35	-	-	-	-	-	-	-	-	-	-				
																						-	31	-	29	28	-	-	-	24	23	-	-	20	19	18	17	-	-	-	-	-
																						16	-	-	13	12	11	-	-	8	7	-	-	-	3	2	1	-	-	-	-	-
MX123 CONN ASSY 73 CKT BLU OPT0 KEY C/35	345663753	C-HSG-C0	G-CAP-0-P	TPA-C0	RS	LS	MAL	CPA	MSEAL	RSEAL	-	71	-	69	-	67	-	65	64	-	-	61	60	-	58	-	56	55	54	-	-											
											-	-	50	49	-	-	-	45	-	43	-	41	-	-	-	38	37	36	35	-	-	-	-	-	-	-	-	-				
																						-	31	-	29	28	-	-	-	24	23	-	-	20	19	18	17	-	-	-	-	-
																						16	-	-	13	12	11	-	-	8	7	-	-	-	3	2	1	-	-	-	-	-
MX123 CONN ASSY 73 CKT BLU OPT0 KEY C/37	345663763	C-HSG-C0	G-CAP-0-P	TPA-C0	RS	LS	MAL	CPA	MSEAL	RSEAL	-	71	-	69	-	67	-	65	64	-	-	61	60	-	58	-	-	-	54	-	-											
											-	-	50	49	-	-	-	45	-	43	-	41	-	-	-	38	37	36	35	-	-	-	-	-	-	-	-	-				
																						-	31	-	29	28	-	-	-	24	23	-	-	20	19	18	17	-	-	-	-	-
																						16	-	-	13	12	11	-	-	8	7	-	-	-	3	2	1	-	-	-	-	-
MX123 CONN ASSY 73 CKT BLK OPT0 KEY A/31	345663773	C-HSG-A0	G-CAP-0-P	TPA-A0	RS	LS	MAL	CPA	MSEAL	RSEAL	72	71	-	-	68	67	66	65	64	-	-	62	61	60	59	-	57	-	-	-	-	-	-									
											-	-	-	-	48	47	46	45	-	-	-	-	40	-	38	37	-	35	-	33	-	-	-	-	-	-	-	-				
																						-	31	30	29	-	27	-	25	24	23	22	21	20	-	-	17	-	-	-	-	-
																						-	-	-	13	-	11	-	9	8	7	6	5	4	-	2	1	-	-	-	-	-
MX123 CONN ASSY 73 CKT BLK OPT0 KEY A/34	345663783	C-HSG-A0	G-CAP-0-P	TPA-A0	RS	LS	MAL	CPA	MSEAL	RSEAL	72	71	-	-	68	67	66	65	64	-	-	62	61	60	59	-	57	-	-	-	-	-	-									
											-	-	-	-	48	47	46	45	-	-	-	-	40	-	38	37	-	35	-	33	-	-	-	-	-	-	-	-				
																						-	31	30	29	-	27	-	25	24	23	22	21	20	-	-	17	-	-	-	-	-
																						-	-	-	13	-	11	-	9	8	7	6	5	4	-	-	-	-	-	-	-	-
MX123 CONN ASSY 73 CKT BLK OPT0 KEY A/38	345663793	C-HSG-A0	G-CAP-0-P	TPA-A0	RS	LS	MAL	CPA	MSEAL	RSEAL	72	-	-	69	68	67	66	65	-	-	62	61	-	59	-	-	-	-	-	-	-	-	-	-	-							
											-	-	50	-	48	47	46	-	-	-	-	-	40	39	38	-	-	35	-	33	-	-	-	-	-	-	-	-	-			
																						-	31	-	29	-	27	-	25	24	-	22	-	20	-	-	17	-	-	-	-	-
																						-	-	14	13	-	11	-	9	-	7	6	-	4	-	2	1	-	-	-	-	-

ASSEMBLY DESCRIPTION	ASSEMBLY PART NUMBER	CONNECTOR HOUSING	GROMMET CAP	TPA	RIGHT SLIDE	LEFT SLIDE	MATE ASSIST LEVER	CPA	MAT SEAL	RING SEAL	BLOCKED TERMINALS																		STATUS	COMMENTS	INTEGRAL COMPONENTS SOLD SEPARATELY			
											CAVITY WITH A NUMBER INDICATES BLOCKED TERMINAL POSITION																				DRESS COVER			
											CAVITY WITHOUT A NUMBER INDICATES OPEN TERMINAL POSITION																							
MX123 CONN ASSY 73 CKT BLK OPT0 KEY A/32	345663803	C-HSG-A0	G-CAP-0-P	TPA-A0	RS	LS	MAL	CPA	MSEAL	RSEAL	-	-	70	-	-	-	-	65	-	-	-	61	60	-	58	57	-	55	54	-	SALEABLE		345650003	
											52	51	-	49	-	47	-	45	-	-	-	41	40	-	38	37	-	-	34	-				
											-																		16	15				-
MX123 CONN ASSY 73 CKT BLU OPT0 KEY C/42	345663813	C-HSG-C0	G-CAP-0-P	TPA-C0	RS	LS	MAL	CPA	MSEAL	RSEAL	-	71	-	69	-	67	-	65	64	-	-	61	60	-	58	-	56	55	54	-	SALEABLE		345650003	
											-	-	50	49	-	-	-	45	-	43	-	41	-	-	-	-	-	35	-	-				
											-																		16	-				-
MX123 CONN ASSY 73 CKT BLK OPT0 KEY A/30	345663823	C-HSG-A0	G-CAP-0-P	TPA-A0	RS	LS	MAL	CPA	MSEAL	RSEAL	72	71	-	-	68	67	66	65	64	-	-	62	-	60	59	-	-	-	-	-	-	SALEABLE		345650003
											-	-	50	-	48	47	46	45	-	-	42	-	40	39	38	-	-	35	-	33				
											-																		-	31	30			
MX123 CONN ASSY 73 CKT BLK OPT0 KEY A/37	345663833	C-HSG-A0	G-CAP-0-P	TPA-A0	RS	LS	MAL	CPA	MSEAL	RSEAL	72	71	-	-	68	67	66	65	64	-	-	-	60	59	58	-	-	-	-	-	SALEABLE		345650003	
											-	-	50	-	48	47	46	45	-	-	-	-	40	39	38	-	-	35	-	33				
											-																		-	31				30
MX123 CONN ASSY 73 CKT BLK OPT0 KEY A/51	345663843	C-HSG-A0	G-CAP-0-P	TPA-A0	RS	LS	MAL	CPA	MSEAL	RSEAL	-	-	-	-	-	-	-	65	-	-	-	61	-	-	58	57	56	-	-	-	SALEABLE		345650003	
											-	51	50	-	-	47	46	45	-	-	-	-	-	-	38	37	36	-	-	-				
											-																		-	31				30
MX123 CONN ASSY 73 CKT BLK OPT0 KEY A/53	345663853	C-HSG-A0	G-CAP-0-P	TPA-A0	RS	LS	MAL	CPA	MSEAL	RSEAL	-	-	-	-	-	-	-	-	-	-	-	61	-	-	58	57	56	-	-	-	SALEABLE		345650003	
											-	51	50	-	-	47	46	-	-	-	-	-	-	-	38	37	36	-	-	-				
											-																		-	31				30
MX123 CONN ASSY 73 CKT GRY OPT0 KEY B/51	345663863	C-HSG-B0	G-CAP-0-P	TPA-B0	RS	LS	MAL	CPA	MSEAL	RSEAL	-	-	-	69	-	-	-	65	64	63	-	-	-	-	-	-	-	-	-	SALEABLE		345650003		
											-	-	-	49	-	-	-	45	44	43	-	-	-	-	-	-	-	-	-				-	
											-																		-				-	-
MX123 CONN ASSY 73 CKT GRY OPT0 KEY B/34	345663873	C-HSG-B0	G-CAP-0-P	TPA-B0	RS	LS	MAL	CPA	MSEAL	RSEAL	72	71	70	69	68	67	66	65	64	-	62	61	60	-	-	-	-	54	53	SALEABLE		345650003		
											52	51	-	-	-	47	-	-	44	-	42	41	40	-	-	-	-	-	-				33	
											-																		32				31	30
MX123 CONN ASSY 73 CKT GRY OPT0 KEY B/35	345663883	C-HSG-B0	G-CAP-0-P	TPA-B0	RS	LS	MAL	CPA	MSEAL	RSEAL	72	71	70	69	68	-	-	65	64	63	62	61	60	-	-	-	-	54	-	SALEABLE		345650003		
											52	51	-	-	-	47	46	-	44	43	42	41	40	-	-	-	-	-	-					
											-																		32				31	30
MX123 CONN ASSY 73 CKT BLU OPT0 KEY C/34	345663893	C-HSG-C0	G-CAP-0-P	TPA-C0	RS	LS	MAL	CPA	MSEAL	RSEAL	-	71	-	69	-	-	-	65	64	-	-	61	60	-	58	-	56	55	54	-	SALEABLE		345650003	
											-	-	50	49	-	-	-	45	-	43	-	41	40	39	38	37	36	35	-	-				
											-																		16	-				-
MX123 CONN ASSY 73 CKT GRY OPT0 KEY B/54	345663903	C-HSG-B0	G-CAP-0-P	TPA-B0	RS	LS	MAL	CPA	MSEAL	RSEAL	72	71	70	69	68	67	66	-	64	63	62	61	60	-	58	-	56	-	54	-	SALEABLE		345650003	
											52	51	50	-	-	47	-	45	-	43	42	41	40	-	38	-	36	-	34	-				
											-																		16	15				14
MX123 CONN ASSY 73 CKT BLK OPT0 KEY A/39	345663913	C-HSG-A0	G-CAP-0-P	TPA-A0	RS	LS	MAL	CPA	MSEAL	RSEAL	72	-	-	-	68	67	66	65	-	-	62	61	-	59	-	-	-	-	-	SALEABLE		345650003		
											-	-	50	-	48	47	46	-	-	-	-	40	39	38	-	-	35	-	33					
											-																		-				31	-

ASSEMBLY DESCRIPTION	ASSEMBLY PART NUMBER	CONNECTOR HOUSING	GROMMET CAP	TPA	RIGHT SLIDE	LEFT SLIDE	MATE ASSIST LEVER	CPA	MAT SEAL	RING SEAL	BLOCKED TERMINALS																		STATUS	COMMENTS	INTEGRAL COMPONENTS SOLD SEPARATELY		
											CAVITY WITH A NUMBER INDICATES BLOCKED TERMINAL POSITION																				DRESS COVER		
											CAVITY WITHOUT A NUMBER INDICATES OPEN TERMINAL POSITION																						
MX123 CONN ASSY 73 CKT GRY OPT0 KEY B/36	345663923	C-HSG-B0	G-CAP-0-P	TPA-B0	RS	LS	MAL	CPA	MSEAL	RSEAL	-	71	-	69	-	67	-	65	64	63	62	61	-	-	58	57	56	-	-	-			
											-	51	-	49	-	47	-	45	44	43	42	41	-	-	38	37	36	-	-	-			
																													-	22	21	20	-
MX123 CONN ASSY 73 CKT BLK OPT0 KEY A/35	345663933	C-HSG-A0	G-CAP-0-P	TPA-A0	RS	LS	MAL	CPA	MSEAL	RSEAL	72	-	-	-	68	67	66	65	-	-	62	61	-	59	-	-	-	-	-				
											-	-	50	-	48	47	46	-	-	-	-	-	40	39	38	-	-	35	-	33			
																													-	31	-	29	-
MX123 CONN ASSY 73 CKT BLU OPT0 KEY C/32	345663943	C-HSG-C0	G-CAP-0-P	TPA-C0	RS	LS	MAL	CPA	MSEAL	RSEAL	-	71	-	69	-	67	-	65	64	63	62	61	-	-	58	57	56	-	-	-			
											-	51	-	49	-	47	-	45	44	43	42	41	-	-	38	37	36	-	-	-			
																													-	-	-	-	-
MX123 CONN ASSY 73 CKT BLU OPT0 KEY C/35	345663953	C-HSG-C0	G-CAP-0-P	TPA-C0	RS	LS	MAL	CPA	MSEAL	RSEAL	-	71	-	69	-	67	66	65	64	-	-	61	60	-	58	-	56	55	54	-			
											-	-	50	49	-	-	-	45	-	43	-	41	-	-	38	37	36	35	-	-			
																													-	31	-	29	28
MX123 CONN ASSY 73 CKT BLU OPT0 KEY C/36	345663963	C-HSG-C0	G-CAP-0-P	TPA-C0	RS	LS	MAL	CPA	MSEAL	RSEAL	-	71	-	69	-	-	-	65	64	-	-	61	60	-	58	-	56	55	54	-			
											-	-	50	49	-	-	-	45	-	43	-	41	-	-	37	36	35	-	-				
																													-	31	-	29	28
MX123 CONN ASSY 73 CKT BLU OPT0 KEY C/33	345663973	C-HSG-C0	G-CAP-0-P	TPA-C0	RS	LS	MAL	CPA	MSEAL	RSEAL	-	71	-	69	-	-	66	65	64	-	-	61	60	-	58	-	56	55	54	-			
											-	-	50	49	-	-	-	45	-	43	-	41	-	-	37	36	35	-	-				
																													-	31	-	29	28
MX123 CONN ASSY 73 CKT BLU OPT0 KEY A/38	345663983	C-HSG-A0	G-CAP-0-P	TPA-A0	RS	LS	MAL	CPA	MSEAL	RSEAL	-	-	-	-	68	67	66	65	-	-	62	61	-	-	-	-	-	-	-				
											-	-	50	-	48	47	46	-	-	-	-	-	39	38	-	-	35	-	33				
																													-	31	-	29	-
MX123 CONN ASSY 73 CKT BLK OPT0 KEY A/38	345663993	C-HSG-A0	G-CAP-0-P	TPA-A0	RS	LS	MAL	CPA	MSEAL	RSEAL	72	71	-	-	68	67	66	65	64	-	-	-	-	59	-	-	-	-	-				
											-	-	50	-	48	47	46	45	-	-	-	-	39	38	-	-	35	-	33				
																													-	31	30	-	-
MX123 CONN ASSY 73 CKT GRY OPT0 KEY B/44	345664003	C-HSG-B0	G-CAP-0-P	TPA-B0	RS	LS	MAL	CPA	MSEAL	RSEAL	72	71	70	69	68	-	-	65	-	-	62	61	60	-	58	-	56	-	54	-			
											52	51	-	-	-	47	46	45	44	-	42	41	40	-	38	-	36	-	34	-			
																													-	31	30	-	28
MX123 CONN ASSY 73 CKT GRY OPT0 KEY B/34	345664013	C-HSG-B0	G-CAP-0-P	TPA-B0	RS	LS	MAL	CPA	MSEAL	RSEAL	-	71	-	69	-	67	-	65	64	63	62	61	-	-	58	57	56	-	-	-			
											-	51	-	49	-	47	-	45	44	43	42	41	-	-	38	37	36	-	-	-			
																													-	-	-	-	-
MX123 CONN ASSY 73 CKT GRY OPT0 KEY B/49	345664023	C-HSG-B0	G-CAP-0-P	TPA-B0	RS	LS	MAL	CPA	MSEAL	RSEAL	-	-	-	69	-	-	-	65	64	63	-	-	-	-	-	-	-	-	-				
											-	-	-	49	-	-	-	45	44	43	-	-	-	-	-	-	-	-	-	-			
																													-	-	-	-	-
MX123 CONN ASSY 73 CKT BLU OPT0 KEY C/36	345664033	C-HSG-C0	G-CAP-0-P	TPA-C0	RS	LS	MAL	CPA	MSEAL	RSEAL	-	71	-	69	-	67	66	65	64	-	-	61	60	-	-	-	56	55	54	-			
											-	-	50	49	-	-	46	45	-	43	-	41	-	-	37	36	35	-	-				
																													-	31	-	29	28

ASSEMBLY DESCRIPTION	ASSEMBLY PART NUMBER	CONNECTOR HOUSING	GROMMET CAP	TPA	RIGHT SLIDE	LEFT SLIDE	MATE ASSIST LEVER	CPA	MAT SEAL	RING SEAL	BLOCKED TERMINALS																STATUS	COMMENTS	INTEGRAL COMPONENTS SOLD SEPARATELY													
											CAVITY WITH A NUMBER INDICATES BLOCKED TERMINAL POSITION																		DRESS COVER													
											CAVITY WITHOUT A NUMBER INDICATES OPEN TERMINAL POSITION																															
MX123 CONN ASSY 73 CKT BLK OPT0 KEY A/36	345664043	C-HSG-A0	G-CAP-0-P	TPA-A0	RS	LS	MAL	CPA	MSEAL	RSEAL	72	-	-	-	68	-	66	65	-	-	62	61	-	59	58	-	-	-	-	-	-											
											-	-	50	-	48	47	46	-	-	-	-	-	40	39	38	-	-	35	-	33												
																											-	31	-	29	-	27	-	25	24	-	22	21	20	-	-	17
																											-	-	14	13	-	11	-	9	8	7	6	5	4	-	2	1
MX123 CONN ASSY 73 CKT BLK OPT0 KEY A/43	345664053	C-HSG-A0	G-CAP-0-P	TPA-A0	RS	LS	MAL	CPA	MSEAL	RSEAL	-	71	70	-	68	-	-	-	64	-	62	61	-	59	58	-	-	55	54	-												
											52	51	50	-	48	-	-	45	-	-	-	41	-	39	38	-	-	-	34	-												
																											32	-	-	-	-	-	-	25	-	23	22	-	-	19	18	-
																											-	-	-	-	12	-	-	9	8	7	6	-	-	-	-	-
MX123 CONN ASSY 73 CKT GRY OPT0 KEY B/24	345664063	C-HSG-B0	G-CAP-0-P	TPA-B0	RS	LS	MAL	CPA	MSEAL	RSEAL	72	71	70	69	-	-	66	65	-	63	62	61	60	-	-	57	56	55	-	53												
											52	51	50	49	48	47	-	-	44	43	42	41	40	-	-	37	36	35	34	33												
																											-	31	-	-	-	-	26	25	24	-	-	21	20	19	18	-
																											16	-	14	-	12	11	-	9	-	7	6	5	4	3	2	-
MX123 CONN ASSY 73 CKT BLK OPT0 KEY A/36	345664073	C-HSG-A0	G-CAP-0-P	TPA-A0	RS	LS	MAL	CPA	MSEAL	RSEAL	-	71	-	69	68	67	-	65	64	-	-	61	60	-	58	-	-	-	54	-												
											-	-	50	49	48	47	-	45	-	43	-	41	-	-	38	-	-	35	-	-												
																											-	31	-	29	28	27	-	-	24	23	-	-	20	-	-	17
																											16	-	-	13	12	11	-	-	8	7	-	5	4	-	2	1
MX123 CONN ASSY 73 CKT BLU OPT0 KEY C/42	345664083	C-HSG-C0	G-CAP-0-P	TPA-C0	RS	LS	MAL	CPA	MSEAL	RSEAL	-	71	-	69	-	67	66	65	64	-	-	61	60	-	-	-	56	55	54	-												
											-	-	50	49	-	-	46	45	-	43	-	41	-	-	-	-	-	35	-	-												
																											-	31	-	29	28	-	-	-	-	23	-	-	-	19	18	-
																											16	-	-	-	12	11	10	9	-	7	-	-	-	3	-	-
MX123 CONN ASSY 73 CKT BLK OPT0 KEY A/37	345664093	C-HSG-A0	G-CAP-0-P	TPA-A0	RS	LS	MAL	CPA	MSEAL	RSEAL	72	-	-	-	68	-	66	65	-	-	62	61	-	59	58	-	-	-	-	-												
											-	-	50	-	48	-	46	-	-	-	-	-	40	39	38	-	-	35	-	33												
																											-	31	-	29	-	27	-	25	24	-	22	21	20	-	-	17
																											-	-	14	13	-	11	-	9	8	7	6	5	4	-	2	1
MX123 CONN ASSY 73 CKT BLK OPT0 KEY A/29	345664103	C-HSG-A0	G-CAP-0-P	TPA-A0	RS	LS	MAL	CPA	MSEAL	RSEAL	-	-	70	-	-	-	-	65	-	-	-	61	-	-	58	57	56	55	54	53												
											-	51	50	-	-	47	-	-	-	-	-	41	-	-	38	37	36	-	34	-												
																											-	31	30	-	28	-	-	25	-	-	22	21	20	19	18	-
																											16	15	-	-	-	-	-	-	-	-	-	-	-	-	-	-
MX123 CONN ASSY 73 CKT GRY OPT0 KEY B/19	345664113	C-HSG-B0	G-CAP-0-P	TPA-B0	RS	LS	MAL	CPA	MSEAL	RSEAL	72	71	70	69	-	-	66	65	-	63	62	61	60	59	-	57	56	55	54	53												
											52	51	50	49	48	47	-	-	44	43	42	41	40	39	-	37	36	35	34	33												
																											-	31	-	-	-	-	26	25	24	23	-	21	20	19	18	-
																											16	-	14	-	12	11	-	9	8	7	6	5	4	3	2	-
MX123 CONN ASSY 73 CKT BLK OPT9 KEY A/42	345664123	C-HSG-A9	G-CAP-9-P	TPA-A9	RS	LS	MAL	CPA	MSEAL	RSEAL	-	71	70	-	68	-	-	-	64	-	62	61	-	59	58	-	-	55	54	-												
											52	51	50	-	48	-	-	45	-	-	-	41	-	39	38	-	-	-	34	-												
																											32	-	-	-	-	27	-	25	-	23	22	-	-	19	18	-
																											-	-	-	-	12	-	-	9	8	7	6	-	-	-	-	-
MX123 CONN ASSY 73 CKT GRY OPT9 KEY B/25	345664133	C-HSG-B9	G-CAP-9-P	TPA-B9	RS	LS	MAL	CPA	MSEAL	RSEAL	72	71	70	69	-	-	66	65	-	63	62	61	60	-	-	57	56	55	-	53												
											52	51	50	49	48	47	-	-	44	43	42	41	40	-	-	37	36	35	34	33												
																											-	31	-	-	-	-	26	25	24	-	-	21	20	19	18	-
																											16	-	14	-	12	11	-	-	-	7	6	5	4	3	2	-
MX123 CONN ASSY 73 CKT GRY OPT0 KEY B/22	345664143	C-HSG-B0	G-CAP-0-P	TPA-B0	RS	LS	MAL	CPA	MSEAL	RSEAL	72	71	70	69	-	-	66	65	-	63	62	61	60	-	-	57	56	55	-	53												
											52	51	50	49	48	47	-	-	44	43	42	41	40	-	-	37	36	35	34	33												
																											-	31	-	-	-	-	26	25	24	-	-	21	20	19	18	-
																											16	15	14	13	12	11	-	-	8	7	6	5	4	3	2	-
MX123 CONN ASSY 73 CKT GRY OPT0 KEY B/37	345664153	C-HSG-B0	G-CAP-0-P	TPA-B0	RS	LS	MAL	CPA	MSEAL	RSEAL	-	71	-	69	-	67	-	65	64	63	62	61	-	-	58	57	56	-	-	-												
											-	51	-	49	-	47	-	45	-	43	42	41	-	-	38	37	36	-	-	-												
																											-	-	-	-	-	-	-	-	-	-	22	21	20	-	-	17
																											-	15	14	13	12	11	-	-	-	-	6	5	4	3	2	1

ASSEMBLY DESCRIPTION	ASSEMBLY PART NUMBER	CONNECTOR HOUSING	GROMMET CAP	TPA	RIGHT SLIDE	LEFT SLIDE	MATE ASSIST LEVER	CPA	MAT SEAL	RING SEAL	BLOCKED TERMINALS																		STATUS	COMMENTS	INTEGRAL COMPONENTS SOLD SEPARATELY		
											CAVITY WITH A NUMBER INDICATES BLOCKED TERMINAL POSITION																				DRESS COVER		
											CAVITY WITHOUT A NUMBER INDICATES OPEN TERMINAL POSITION																						
MX123 CONN ASSY 73 CKT GRY OPT0 KEY B/35	345664163	C-HSG-B0	G-CAP-0-P	TPA-B0	RS	LS	MAL	CPA	MSEAL	RSEAL	-	71	-	69	-	67	-	65	64	63	62	61	-	-	58	57	56	-	-	-			
											-	51	-	49	-	47	-	45	44	43	42	41	-	-	38	37	36	-	-	-			
																													23	22	21	20	19
MX123 CONN ASSY 73 CKT BLK OPT0 KEY A/42	345664173	C-HSG-A0	G-CAP-0-P	TPA-A0	RS	LS	MAL	CPA	MSEAL	RSEAL	-	-	-	-	68	67	66	65	-	-	62	61	-	-	-	57	-	-	-				
											-	-	50	-	48	-	46	-	-	-	-	-	40	39	-	37	-	35	-	33			
																													-	31	-	29	-
MX123 CONN ASSY 73 CKT BLU OPT0 KEY C/41	345664183	C-HSG-C0	G-CAP-0-P	TPA-C0	RS	LS	MAL	CPA	MSEAL	RSEAL	-	71	-	69	-	67	-	65	64	-	-	61	60	-	-	-	56	55	54	-			
											-	-	50	49	-	-	-	45	-	43	-	41	-	-	38	37	36	35	-	-			
																													-	31	-	29	28
MX123 CONN ASSY 73 CKT BLU OPT0 KEY C/38	345664193	C-HSG-C0	G-CAP-0-P	TPA-C0	RS	LS	MAL	CPA	MSEAL	RSEAL	72	-	70	-	68	67	66	-	-	63	62	-	-	59	-	57	-	-	-	53			
											52	51	-	-	48	47	46	-	44	-	42	-	40	39	-	-	-	-	34	33			
																													32	-	30	-	-
MX123 CONN ASSY 73 CKT GRY OPT0 KEY B/48	345664203	C-HSG-B0	G-CAP-0-P	TPA-B0	RS	LS	MAL	CPA	MSEAL	RSEAL	72	71	70	69	68	67	66	65	-	63	62	61	60	-	58	-	56	-	54	-			
											52	51	-	-	-	47	-	45	44	43	42	41	40	-	38	-	36	-	34	-			
																													-	31	30	-	28
MX123 CONN ASSY 73 CKT BLK OPT0 KEY A/36	345664213	C-HSG-A0	G-CAP-0-P	TPA-A0	RS	LS	MAL	CPA	MSEAL	RSEAL	-	-	70	69	-	-	-	-	-	63	62	61	-	-	-	57	56	55	54	53			
											52	51	-	49	-	-	-	-	44	43	42	41	-	-	-	37	36	-	34	33			
																													32	-	-	29	28
MX123 CONN ASSY 73 CKT BLK OPT0 KEY A/38	345664223	C-HSG-A0	G-CAP-0-P	TPA-A0	RS	LS	MAL	CPA	MSEAL	RSEAL	-	-	70	69	-	-	-	-	-	63	62	61	-	-	58	57	56	55	54	53			
											52	51	-	49	-	-	-	-	44	43	42	41	-	-	-	37	36	-	34	-			
																													32	-	-	29	28
MX123 CONN ASSY 73 CKT GRY OPT0 KEY B/23	345664233	C-HSG-B0	G-CAP-0-P	TPA-B0	RS	LS	MAL	CPA	MSEAL	RSEAL	72	71	70	-	68	67	66	-	-	-	62	61	60	59	58	57	56	55	54	53			
											52	51	50	-	48	47	46	-	-	-	42	41	40	39	38	37	36	35	34	33			
																													32	31	30	29	28
MX123 CONN ASSY 73 CKT BLK OPT0 KEY A/21	345664243	C-HSG-A0	G-CAP-0-P	TPA-A0	RS	LS	MAL	CPA	MSEAL	RSEAL	72	71	70	69	68	67	66	65	64	63	62	-	60	59	-	-	-	55	54	53			
											52	-	-	49	48	-	-	45	44	43	42	41	40	39	-	-	-	35	34	33			
																													32	-	-	29	28
MX123 CONN ASSY 73 CKT BLK OPT0 KEY A/23	345664253	C-HSG-A0	G-CAP-0-P	TPA-A0	RS	LS	MAL	CPA	MSEAL	RSEAL	72	71	70	69	68	67	66	-	64	63	62	-	60	59	-	-	-	55	54	53			
											52	-	-	49	48	-	-	-	44	43	42	41	40	39	-	-	-	35	34	33			
																													32	-	-	29	28
MX123 CONN ASSY 73 CKT GRY OPT0 KEY B/36	345664263	C-HSG-B0	G-CAP-0-P	TPA-B0	RS	LS	MAL	CPA	MSEAL	RSEAL	-	-	-	-	-	67	66	-	-	63	-	-	-	59	58	57	56	55	-	53			
											-	-	50	49	48	-	-	45	-	43	-	-	-	39	38	37	36	35	34	33			
																													-	-	-	29	-
MX123 CONN ASSY 73 CKT GRY OPT0 KEY B/40	345664273	C-HSG-B0	G-CAP-0-P	TPA-B0	RS	LS	MAL	CPA	MSEAL	RSEAL	-	-	-	-	-	-	-	-	-	63	-	-	-	59	58	57	56	55	-	53			
											-	-	50	49	48	-	46	-	-	43	-	-	-	39	38	37	36	35	34	33			
																													-	-	-	29	-

ASSEMBLY DESCRIPTION	ASSEMBLY PART NUMBER	CONNECTOR HOUSING	GROMMET CAP	TPA	RIGHT SLIDE	LEFT SLIDE	MATE ASSIST LEVER	CPA	MAT SEAL	RING SEAL	BLOCKED TERMINALS																		STATUS	COMMENTS	INTEGRAL COMPONENTS SOLD SEPARATELY		
											CAVITY WITH A NUMBER INDICATES BLOCKED TERMINAL POSITION CAVITY WITHOUT A NUMBER INDICATES OPEN TERMINAL POSITION																				DRESS COVER		
MX123 CONN ASSY 73 CKT BLK OPT0 KEY A/38	345664283	C-HSG-A0	G-CAP-0-P	TPA-A0	RS	LS	MAL	CPA	MSEAL	RSEAL	72	71	-	-	68	67	66	65	64	-	-	-	-	59	58	-	-	-	-	-	-	-	-
											-	-	50	-	48	47	46	45	-	-	-	-	40	39	38	-	-	35	-	33			
																													-				
																													-				
MX123 CONN ASSY 73 CKT GRY OPT0 KEY B/38	345664293	C-HSG-B0	G-CAP-0-P	TPA-B0	RS	LS	MAL	CPA	MSEAL	RSEAL	72	71	70	69	68	-	-	65	64	-	62	61	60	-	-	-	-	-	54	-			
											52	51	-	-	-	47	46	-	44	-	42	41	40	-	-	-	-	-	-				
																													32				
																													-				
MX123 CONN ASSY 73 CKT BLK OPT0 KEY A/33	345664303	C-HSG-A0	G-CAP-0-P	TPA-A0	RS	LS	MAL	CPA	MSEAL	RSEAL	72	71	-	-	-	-	66	-	-	-	62	-	60	-	-	-	-	55	54	53			
											52	51	-	-	-	-	46	45	44	43	42	-	40	39	-	-	-	-	35	-	-		
																													-				
																													-				
MX123 CONN ASSY 73 CKT GRY OPT0 KEY B/35	345664313	C-HSG-B0	G-CAP-0-P	TPA-B0	RS	LS	MAL	CPA	MSEAL	RSEAL	72	71	70	69	68	67	66	65	64	-	62	61	60	-	-	-	-	54	-				
											52	51	-	-	-	47	-	45	44	-	42	41	40	-	-	-	-	-	-				
																													32				
																													-				
MX123 CONN ASSY 73 CKT GRY OPT0 KEY B/37	345664323	C-HSG-B0	G-CAP-0-P	TPA-B0	RS	LS	MAL	CPA	MSEAL	RSEAL	-	71	-	69	-	67	-	65	64	63	62	61	-	-	58	57	56	-	-	-			
											-	51	-	49	-	47	-	45	44	43	42	41	-	-	38	37	36	-	-	-			
																													-				
																													-				
MX123 CONN ASSY 73 CKT BLK OPT0 KEY A/40	345664333	C-HSG-A0	G-CAP-0-P	TPA-A0	RS	LS	MAL	CPA	MSEAL	RSEAL	-	-	-	-	68	-	66	65	-	-	62	61	-	-	58	57	-	-	-	-			
											-	-	50	-	48	-	46	-	-	-	-	-	40	39	-	37	-	35	-	33			
																													-				
																													-				
MX123 CONN ASSY 73 CKT BLK OPT0 KEY A/39	345664343	C-HSG-A0	G-CAP-0-P	TPA-A0	RS	LS	MAL	CPA	MSEAL	RSEAL	-	-	-	-	68	67	66	65	-	-	62	61	-	-	-	57	-	-	-	-			
											-	-	50	-	48	-	46	-	-	-	-	-	40	39	-	37	-	35	-	33			
																													-				
																													-				
MX123 CONN ASSY 73 CKT BLU OPT0 KEY C/37	345664353	C-HSG-C0	G-CAP-0-P	TPA-C0	RS	LS	MAL	CPA	MSEAL	RSEAL	-	71	-	69	-	67	66	65	64	-	-	61	60	-	-	-	56	55	54	-			
											-	-	50	49	-	-	46	45	-	43	-	41	-	-	38	37	36	35	-	-			
																													16				
																													-				
MX123 CONN ASSY 73 CKT BLK OPT0 KEY A/39	345664363	C-HSG-A0	G-CAP-0-P	TPA-A0	RS	LS	MAL	CPA	MSEAL	RSEAL	72	71	-	-	68	67	66	65	64	-	-	-	-	59	-	-	-	-	-	-			
											-	-	50	-	48	47	46	45	-	-	-	-	40	39	38	-	-	35	-	33			
																													-				
																													-				
MX123 CONN ASSY 73 CKT BLK OPT0 KEY A/30	345664373	C-HSG-A0	G-CAP-0-P	TPA-A0	RS	LS	MAL	CPA	MSEAL	RSEAL	72	71	-	-	68	67	66	65	64	-	62	61	60	59	-	57	-	55	-	53			
											-	-	50	-	48	-	46	45	-	-	-	-	-	39	38	37	-	35	-	33			
																													-				
																													-				
MX123 CONN ASSY 73 CKT BLK OPT0 KEY A/29	345664403	C-HSG-A0	G-CAP-0-P	TPA-A0	RS	LS	MAL	CPA	MSEAL	RSEAL	-	-	-	-	-	-	-	-	-	-	62	-	60	-	-	-	-	55	54	53			
											52	51	-	-	-	-	46	45	44	43	42	-	40	39	-	-	-	-	35	-	-		
																													-				
																													-				
MX123 CONN ASSY 73 CKT GRY OPT0 KEY B/34	345664413	C-HSG-B0	G-CAP-0-P	TPA-B0	RS	LS	MAL	CPA	MSEAL	RSEAL	72	71	70	69	68	67	66	65	64	-	62	61	60	-	-	-	-	54	-				
											52	51	-	-	-	47	-	45	44	-	42	41	40	-	-	-	-	-	-				
																													32				
																													-				

ASSEMBLY DESCRIPTION	ASSEMBLY PART NUMBER	CONNECTOR HOUSING	GROMMET CAP	TPA	RIGHT SLIDE	LEFT SLIDE	MATE ASSIST LEVER	CPA	MAT SEAL	RING SEAL	BLOCKED TERMINALS																		STATUS	COMMENTS	INTEGRAL COMPONENTS SOLD SEPARATELY
											CAVITY WITH A NUMBER INDICATES BLOCKED TERMINAL POSITION																				DRESS COVER
											CAVITY WITHOUT A NUMBER INDICATES OPEN TERMINAL POSITION																				
MX123 CONN ASSY 73 CKT BLU OPT9 KEY C/42	345664423	C-HSG-C9	G-CAP-9-P	TPA-C9	RS	LS	MAL	CPA	MSEAL	RSEAL	-	71	-	69	-	-	-	65	64	-	-	61	60	-	58	-	56	55	54	-	
											-	-	50	49	-	-	-	45	-	43	-	41	-	-	-	-	-	35	-	-	
																						-	31	-	29	28	-	-	-	23	-
											-	-	-	-	16	-	-	13	12	11	-	-	-	7	-	-	-	3	-	1	
MX123 CONN ASSY 73 CKT BLK OPT9 KEY A/40	345664433	C-HSG-A9	G-CAP-9-P	TPA-A9	RS	LS	MAL	CPA	MSEAL	RSEAL	72	71	-	-	68	67	66	65	64	-	-	-	-	59	-	-	-	-	-		
											-	-	-	-	48	47	46	45	-	-	-	-	-	39	38	-	-	35	-	33	
																						-	31	30	-	-	-	-	25	24	23
											-	-	-	-	-	-	-	-	-	-	9	8	7	6	5	4	-	2	1		
MX123 CONN ASSY 73 CKT BLK OPT9 KEY A/32	345664443	C-HSG-A9	G-CAP-9-P	TPA-A9	RS	LS	MAL	CPA	MSEAL	RSEAL	72	71	70	69	68	-	-	65	64	63	62	61	60	59	58	57	56	55	54	53	
											52	51	50	49	-	-	46	45	44	43	42	-	40	39	38	37	36	35	34	33	
																						-	-	-	-	28	-	-	-	24	23
											-	-	-	-	12	-	-	-	-	-	-	-	-	-	-	-	-	2	-		
MX123 CONN ASSY 73 CKT BLK OPT0 KEY A/45	345664453	C-HSG-A0	G-CAP-0-P	TPA-A0	RS	LS	MAL	CPA	MSEAL	RSEAL	-	-	-	-	-	67	66	-	-	-	-	-	-	-	-	-	-	-			
											-	-	-	-	-	47	-	-	-	-	41	-	-	-	-	-	-	-	-		
																						32	31	30	29	-	27	26	25	-	-
											16	15	14	13	-	-	10	9	8	7	6	5	4	3	-	-					
MX123 CONN ASSY 73 CKT GRY OPT9 KEY B/18	345664463	C-HSG-B9	G-CAP-9-P	TPA-B9	RS	LS	MAL	CPA	MSEAL	RSEAL	72	71	70	69	68	67	66	65	64	-	62	61	60	59	58	57	56	55	54	-	
											52	51	50	49	-	-	46	-	44	-	-	41	40	-	38	37	36	-	-	-	
																						32	31	30	29	28	27	-	25	24	-
											16	15	14	13	12	-	10	9	8	7	6	5	4	3	2	-					
MX123 CONN ASSY 73 CKT GRY OPT0 KEY B/21	345664473	C-HSG-B0	G-CAP-0-P	TPA-B0	RS	LS	MAL	CPA	MSEAL	RSEAL	72	71	70	69	68	67	66	65	-	-	-	61	60	-	-	57	56	55	54	-	
											52	51	50	49	48	-	46	-	44	-	-	41	40	-	38	37	36	-	-	-	
																						32	31	30	29	28	27	-	24	-	-
											16	15	14	13	12	11	10	9	8	7	6	5	4	-	2	-					
MX123 CONN ASSY 73 CKT BLU OPT9 KEY C/54	345664483	C-HSG-C9	G-CAP-9-P	TPA-C9	RS	LS	MAL	CPA	MSEAL	RSEAL	-	71	-	69	-	-	-	65	64	-	-	61	60	-	-	-	-	-	54	-	
											-	-	50	-	-	-	-	45	-	43	42	41	-	-	-	-	-	-	35	-	-
																						-	31	-	29	28	-	-	-	-	-
											16	-	-	-	12	11	-	-	-	-	-	-	-	-	-	-	-				
MX123 CONN ASSY 73 CKT BLK OPT9 KEY A/58	345664493	C-HSG-A9	G-CAP-9-P	TPA-A9	RS	LS	MAL	CPA	MSEAL	RSEAL	-	-	-	-	68	-	66	65	-	-	-	-	-	-	-	-	-	-			
											-	-	-	-	-	46	-	-	-	-	-	-	38	-	-	35	-	33			
																						-	31	-	-	-	-	25	-	-	22
											-	-	-	-	-	-	9	-	7	6	-	4	-	-	-						
MX123 CONN ASSY 73 CKT GRY OPT9 KEY B/56	345664513	C-HSG-B9	G-CAP-9-P	TPA-B9	RS	LS	MAL	CPA	MSEAL	RSEAL	-	-	-	69	-	-	-	65	64	63	-	-	-	-	-	-	-	-			
											-	-	-	49	-	-	-	45	44	43	-	-	-	-	-	-	-	-	-		
																						-	-	-	-	-	-	-	-	22	21
											-	-	-	-	12	11	-	9	-	-	6	5	4	-	-	-					
MX123 CONN ASSY 73 CKT BLK OPT0 KEY A/38	345664533	C-HSG-A0	G-CAP-0-P	TPA-A0	RS	LS	MAL	CPA	MSEAL	RSEAL	-	71	70	-	68	-	66	-	64	-	62	61	-	59	58	-	-	55	54	-	
											52	51	50	-	48	-	46	45	-	-	42	41	-	39	38	-	-	-	34	-	
																						32	-	-	-	-	27	26	25	-	23
											-	-	-	-	12	-	-	9	8	7	6	-	-	-	-	-					
MX123 CONN ASSY 73 CKT GRY OPT0 KEY B/27	345664543	C-HSG-B0	G-CAP-0-P	TPA-B0	RS	LS	MAL	CPA	MSEAL	RSEAL	72	71	70	69	-	-	66	65	-	-	62	61	60	59	-	-	56	-	54	-	
											52	51	50	49	48	47	-	-	44	-	42	41	40	39	-	-	36	-	34	33	
																						-	31	-	-	-	-	26	25	24	23
											16	15	14	13	-	11	-	9	8	7	6	5	4	3	2	-					
MX123 CONN ASSY 73 CKT GRY OPT0 KEY B/23	345664553	C-HSG-B0	G-CAP-0-P	TPA-B0	RS	LS	MAL	CPA	MSEAL	RSEAL	72	71	70	69	-	-	66	65	-	-	62	61	60	59	-	-	56	55	54	-	
											52	51	50	49	48	47	-	-	44	-	42	41	40	39	-	-	36	35	34	33	
																						-	31	-	-	-	-	26	25	24	23
											16	15	14	13	-	11	-	9	8	7	6	5	4	3	2	1					

ASSEMBLY DESCRIPTION	ASSEMBLY PART NUMBER	CONNECTOR HOUSING	GROMMET CAP	TPA	RIGHT SLIDE	LEFT SLIDE	MATE ASSIST LEVER	CPA	MAT SEAL	RING SEAL	BLOCKED TERMINALS																		STATUS	COMMENTS	INTEGRAL COMPONENTS SOLD SEPARATELY
											CAVITY WITH A NUMBER INDICATES BLOCKED TERMINAL POSITION																				DRESS COVER
											CAVITY WITHOUT A NUMBER INDICATES OPEN TERMINAL POSITION																				
MX123 CONN ASSY 73 CKT GRY OPT0 KEY B/24	345664563	C-HSG-B0	G-CAP-0-P	TPA-B0	RS	LS	MAL	CPA	MSEAL	RSEAL	72	71	70	69	-	-	66	65	-	-	62	61	60	59	-	57	56	-	54	-	
											52	51	50	49	48	47	-	-	44	-	42	41	40	39	-	37	36	-	34	33	
											-																				
MX123 CONN ASSY 73 CKT GRY OPT0 KEY B/20	345664573	C-HSG-B0	G-CAP-0-P	TPA-B0	RS	LS	MAL	CPA	MSEAL	RSEAL	72	71	70	69	-	-	66	65	-	-	62	61	60	59	-	57	56	55	54	-	
											52	51	50	49	48	47	-	-	44	-	42	41	40	39	-	37	36	35	34	33	
											-																				
MX123 CONN ASSY 73 CKT GRY OPT0 KEY B/19	345664583	C-HSG-B0	G-CAP-0-P	TPA-B0	RS	LS	MAL	CPA	MSEAL	RSEAL	72	71	70	69	-	-	66	65	-	63	62	61	60	59	-	57	56	55	54	-	
											52	51	50	49	48	47	-	-	44	43	42	41	40	39	-	37	36	35	34	33	
											-																				
MX123 CONN ASSY 73 CKT GRY OPT0 KEY B/18	345664593	C-HSG-B0	G-CAP-0-P	TPA-B0	RS	LS	MAL	CPA	MSEAL	RSEAL	72	71	70	69	-	-	66	65	-	63	62	61	60	59	-	57	56	55	54	-	
											52	51	50	49	48	47	-	-	44	43	42	41	40	39	-	37	36	35	34	33	
											-																				
MX123 CONN ASSY 73 CKT BLK OPT0 KEY A/42	345664613	C-HSG-A0	G-CAP-0-P	TPA-A0	RS	LS	MAL	CPA	MSEAL	RSEAL	-	71	70	-	68	-	-	-	64	-	62	61	-	59	58	-	-	55	54	-	
											52	51	50	-	48	-	46	45	-	-	-	41	-	39	38	-	-	-	34	-	
											-																				
MX123 CONN ASSY 73 CKT GRY OPT0 KEY B/36	345664623	C-HSG-B0	G-CAP-0-P	TPA-B0	RS	LS	MAL	CPA	MSEAL	RSEAL	-	71	-	69	-	67	-	65	64	63	62	61	-	-	58	57	56	-	-	-	
											-	51	-	49	-	47	-	45	44	43	42	41	-	-	38	37	36	-	-	-	
											-																				
MX123 CONN ASSY 73 CKT BLK OPT0 KEY A/39	345664633	C-HSG-A0	G-CAP-0-P	TPA-A0	RS	LS	MAL	CPA	MSEAL	RSEAL	72	-	-	-	68	67	66	65	-	-	62	61	-	-	-	57	-	-	-	-	
											-	-	50	-	48	-	46	-	-	-	-	-	40	39	-	37	-	35	-	33	
											-																				
MX123 CONN ASSY 73 CKT GRY OPT0 KEY B/38	345664643	C-HSG-B0	G-CAP-0-P	TPA-B0	RS	LS	MAL	CPA	MSEAL	RSEAL	-	71	-	69	-	67	-	65	64	63	62	61	-	-	58	57	56	-	-	-	
											-	51	-	49	-	47	-	45	44	43	42	41	-	-	38	37	36	-	-	-	
											-																				
MX123 CONN ASSY 73 CKT BLK OPT0 KEY A/37	345664653	C-HSG-A0	G-CAP-0-P	TPA-A0	RS	LS	MAL	CPA	MSEAL	RSEAL	72	-	-	-	68	-	66	65	-	-	62	61	-	-	58	57	-	-	-	-	
											-	-	50	-	48	-	46	-	-	-	-	-	40	39	-	37	-	35	-	33	
											-																				
MX123 CONN ASSY 73 CKT BLK OPT0 KEY A/36	345664663	C-HSG-A0	G-CAP-0-P	TPA-A0	RS	LS	MAL	CPA	MSEAL	RSEAL	72	-	-	-	68	67	66	65	-	-	62	61	-	-	-	57	-	-	-	-	
											-	-	50	-	48	-	46	-	-	-	-	-	40	39	-	37	-	35	-	33	
											-																				
MX123 CONN ASSY 73 CKT BLK OPT0 KEY A/29	345664673	C-HSG-A0	G-CAP-0-P	TPA-A0	RS	LS	MAL	CPA	MSEAL	RSEAL	72	71	70	69	68	-	-	65	64	63	62	61	60	59	58	57	56	55	54	53	
											52	51	50	49	48	-	46	45	44	43	42	-	40	39	38	37	36	35	34	33	
											-																				
MX123 CONN ASSY 73 CKT GRY OPT9 KEY B/56	345664683	C-HSG-B9	G-CAP-9-P	TPA-B9	RS	LS	MAL	CPA	MSEAL	RSEAL	-	-	-	-	-	-	-	-	-	63	-	-	-	-	-	-	-	-	53		
											-	-	-	-	48	47	-	45	-	43	42	-	-	39	-	-	-	35	34	33	
											-																				

ASSEMBLY DESCRIPTION	ASSEMBLY PART NUMBER	CONNECTOR HOUSING	GROMMET CAP	TPA	RIGHT SLIDE	LEFT SLIDE	MATE ASSIST LEVER	CPA	MAT SEAL	RING SEAL	BLOCKED TERMINALS																				STATUS	COMMENTS	INTEGRAL COMPONENTS SOLD SEPARATELY		
											CAVITY WITH A NUMBER INDICATES BLOCKED TERMINAL POSITION																						DRESS COVER		
											CAVITY WITHOUT A NUMBER INDICATES OPEN TERMINAL POSITION																								
MX123 CONN ASSY 73 CKT GRY OPT0 KEY B/53	345664693	C-HSG-B0	G-CAP-0-P	TPA-B0	RS	LS	MAL	CPA	MSEAL	RSEAL	-	-	-	-	-	-	-	-	-	64	63	62	-	-	59	58	-	-	-	-	-	53	SALEABLE		345650003
											-	-	-	-	-	-	47	-	45	-	43	42	-	-	39	-	-	-	35	34	33				
											-	-	-	-	-	-	-	-	-	-	26	25	-	23	22	-	-	-	-	-	-	-			
											-	-	-	-	-	-	-	-	-	-	-	-	-	-	-	-	-	-	3	-	1				
MX123 CONN ASSY 73 CKT GRY OPT0 KEY B/48	345664703	C-HSG-B0	G-CAP-0-P	TPA-B0	RS	LS	MAL	CPA	MSEAL	RSEAL	72	71	70	69	68	-	-	-	-	63	62	61	60	-	-	-	56	-	54	-	SALEABLE		345650003		
											52	51	50	-	-	-	46	45	-	43	42	41	40	-	-	-	36	-	34	-					
											-	-	-	-	32	31	30	-	28	27	26	25	24	-	-	-	20	19	18	17					
											-	-	-	-	16	15	14	13	-	11	10	-	8	-	6	5	4	3	2	1					
MX123 CONN ASSY 73 CKT BLK OPT0 KEY A/37	345664713	C-HSG-A0	G-CAP-0-P	TPA-A0	RS	LS	MAL	CPA	MSEAL	RSEAL	-	-	-	-	68	-	66	65	-	-	62	61	-	-	58	57	-	-	-	-	SALEABLE		345650003		
											-	-	50	-	48	-	46	-	-	-	-	-	40	39	38	37	-	35	-	33					
											-	-	-	-	-	31	-	29	-	27	-	25	24	-	22	21	20	-	-	17					
											-	-	-	-	-	-	14	13	-	11	-	9	8	7	6	5	4	-	2	1					
MX123 CONN ASSY 73 CKT BLK OPT0 KEY A/36	345664723	C-HSG-A0	G-CAP-0-P	TPA-A0	RS	LS	MAL	CPA	MSEAL	RSEAL	-	-	-	-	68	67	66	65	-	-	62	61	-	-	-	57	-	-	-	SALEABLE		345650003			
											-	-	50	-	48	-	46	-	-	-	-	-	40	39	38	37	-	35	-				33		
											-	-	-	-	-	31	-	29	-	27	-	25	24	23	22	21	20	-	-				17		
											-	-	-	-	-	-	14	13	-	11	-	9	8	7	6	5	4	-	2				1		
MX123 CONN ASSY 73 CKT BLK OPT0 KEY A/39	345664733	C-HSG-A0	G-CAP-0-P	TPA-A0	RS	LS	MAL	CPA	MSEAL	RSEAL	-	-	-	-	68	67	66	65	-	-	62	61	-	-	-	57	-	-	-	SALEABLE		345650003			
											-	-	50	-	48	-	46	-	-	-	-	-	40	39	38	37	-	35	-				33		
											-	-	-	-	-	31	-	29	-	27	-	25	24	23	22	21	20	-	-				17		
											-	-	-	-	-	-	14	13	-	11	-	9	-	7	6	5	4	-	2				1		
MX123 CONN ASSY 73 CKT BLK OPT9 KEY A/59	345664743	C-HSG-A9	G-CAP-9-P	TPA-A9	RS	LS	MAL	CPA	MSEAL	RSEAL	-	-	-	-	68	-	66	-	-	-	-	-	-	-	-	-	-	-	SALEABLE		345650003				
											-	-	-	-	-	-	46	-	-	-	-	-	-	-	38	-	-	35				-	33		
											-	-	-	-	-	31	-	-	-	-	-	25	-	-	22	-	20	-				-	-		
											-	-	-	-	-	-	-	-	-	-	9	-	7	6	-	4	-	-				-			
MX123 CONN ASSY 73 CKT GRY OPT0 KEY B/20	345664753	C-HSG-B0	G-CAP-0-P	TPA-B0	RS	LS	MAL	CPA	MSEAL	RSEAL	72	71	70	69	-	-	66	65	-	63	62	61	60	59	-	57	56	55	54	53	SALEABLE		345650003		
											52	51	50	49	48	47	-	-	44	43	42	41	40	39	-	37	36	35	34	33					
											-	-	-	-	-	31	-	-	-	-	26	25	24	23	-	21	20	19	18	-					
											-	-	-	-	-	16	-	14	-	12	11	-	9	8	7	-	5	4	3	2				-	
MX123 CONN ASSY 73 CKT GRY OPT0 KEY B/16	345664763	C-HSG-B0	G-CAP-0-P	TPA-B0	RS	LS	MAL	CPA	MSEAL	RSEAL	72	71	70	69	-	-	66	65	-	63	62	61	60	59	58	57	56	55	54	53	SALEABLE		345650003		
											52	51	50	49	48	47	-	-	44	43	42	41	40	39	38	37	36	35	34	33					
											-	-	-	-	-	31	-	-	-	-	26	25	24	23	22	21	20	19	18	-					
											-	-	-	-	-	16	-	14	-	12	11	-	9	8	7	-	5	4	3	2				1	
MX123 CONN ASSY 73 CKT GRY OPT0 KEY B/25	345664773	C-HSG-B0	G-CAP-0-P	TPA-B0	RS	LS	MAL	CPA	MSEAL	RSEAL	72	71	70	69	-	-	66	65	-	63	62	61	60	-	-	57	56	55	-	53	SALEABLE		345650003		
											52	51	50	49	48	47	-	-	44	43	42	41	40	-	-	37	36	35	34	33					
											-	-	-	-	-	31	-	-	-	-	26	25	24	-	-	21	20	19	18	-					
											-	-	-	-	-	16	-	14	-	12	11	-	9	-	7	-	5	4	3	2				-	
MX123 CONN ASSY 73 CKT GRY OPT0 KEY B/25	345664783	C-HSG-B0	G-CAP-0-P	TPA-B0	RS	LS	MAL	CPA	MSEAL	RSEAL	72	71	70	69	-	-	66	65	-	-	62	61	60	59	-	57	56	-	54	53	SALEABLE		345650003		
											52	51	50	49	48	47	-	-	44	-	42	41	40	39	-	37	36	-	34	33					
											-	-	-	-	-	31	-	-	-	-	26	25	24	23	-	21	20	-	18	-					
											-	-	-	-	-	16	-	14	-	12	11	-	9	8	7	-	5	4	3	2				-	
MX123 CONN ASSY 73 CKT GRY OPT0 KEY B/21	345664793	C-HSG-B0	G-CAP-0-P	TPA-B0	RS	LS	MAL	CPA	MSEAL	RSEAL	72	71	70	69	-	-	66	65	-	-	62	61	60	59	-	57	56	55	54	53	SALEABLE		345650003		
											52	51	50	49	48	47	-	-	44	-	42	41	40	39	-	37	36	35	34	33					
											-	-	-	-	-	31	-	-	-	-	26	25	24	23	-	21	20	19	18	-					
											-	-	-	-	-	16	-	14	-	12	11	-	9	8	7	-	5	4	3	2				1	
MX123 CONN ASSY 73 CKT BLK OPT0 KEY A/38	345664803	C-HSG-A0	G-CAP-0-P	TPA-A0	RS	LS	MAL	CPA	MSEAL	RSEAL	-	-	70	-	-	-	-	65	-	-	-	-	60	-	58	57	56	55	54	-	SALEABLE		345650003		
											52	51	50	49	-	47	46	45	-	43	-	-	40	-	38	37	36	-	34	-					
											-	-	-	-	-	31	30	-	28	-	26	-	24	-	22	21	20	19	18	-					
											-	-	-	-	-	16	15	14	-	-	-	10	-	-	7	6	-	-	-	-					

ASSEMBLY DESCRIPTION	ASSEMBLY PART NUMBER	CONNECTOR HOUSING	GROMMET CAP	TPA	RIGHT SLIDE	LEFT SLIDE	MATE ASSIST LEVER	CPA	MAT SEAL	RING SEAL	BLOCKED TERMINALS																				STATUS	COMMENTS	INTEGRAL COMPONENTS SOLD SEPARATELY
											CAVITY WITH A NUMBER INDICATES BLOCKED TERMINAL POSITION																						DRESS COVER
											CAVITY WITHOUT A NUMBER INDICATES OPEN TERMINAL POSITION																						
MX123 CONN ASSY 73 CKT GRY OPT9 KEY B/26	345664813	C-HSG-B9	G-CAP-9-P	TPA-B9	RS	LS	MAL	CPA	MSEAL	RSEAL	72	71	70	69	-	-	66	65	-	63	62	61	60	-	-	57	56	55	-	53			
											52	51	50	49	48	47	-	-	44	43	42	41	40	-	-	37	36	35	34	33			
															-	31	-	-	-	26	25	24	-	-	21	20	19	18	-				
															16	-	14	-	12	11	-	-	-	7	-	5	4	3	2	-			
MX123 CONN ASSY 73 CKT BLU OPT0 KEY C/46	345664823	C-HSG-C0	G-CAP-0-P	TPA-C0	RS	LS	MAL	CPA	MSEAL	RSEAL	72	71	70	69	-	-	-	-	-	63	62	61	60	-	-	-	56	-	-	-			
											52	-	-	-	-	47	-	-	44	-	-	-	-	-	-	36	-	34	-				
															-	-	-	29	28	27	-	25	-	-	21	-	19	18	17				
															-	15	14	-	12	11	-	-	-	-	-	-	-	-	-	1			
MX123 CONN ASSY 73 CKT BLU OPT0 KEY C/41	345664833	C-HSG-C0	G-CAP-0-P	TPA-C0	RS	LS	MAL	CPA	MSEAL	RSEAL	-	71	-	69	-	-	-	65	64	-	-	61	60	-	58	-	56	55	54	-			
											-	-	50	49	-	-	-	45	-	43	-	41	-	-	38	-	-	35	-	-			
															-	31	-	29	28	-	-	-	-	23	-	-	20	19	18	17			
															16	-	-	13	12	11	-	-	-	7	-	-	-	3	-	1			
MX123 CONN ASSY 73 CKT BLU OPT0 KEY C/42	345664843	C-HSG-C0	G-CAP-0-P	TPA-C0	RS	LS	MAL	CPA	MSEAL	RSEAL	-	71	-	69	-	-	-	65	64	-	-	61	60	-	58	-	56	55	54	-			
											-	-	50	49	-	-	-	45	-	43	-	41	-	-	-	-	35	-	-				
															-	31	-	29	28	-	-	-	-	23	-	-	20	19	18	17			
															16	-	-	13	12	11	-	-	-	7	-	-	-	3	-	1			
MX123 CONN ASSY 73 CKT BLU OPT0 KEY C/45	345664853	C-HSG-C0	G-CAP-0-P	TPA-C0	RS	LS	MAL	CPA	MSEAL	RSEAL	-	71	-	69	-	67	-	65	64	-	-	61	60	-	58	-	-	54	-				
											-	-	50	49	-	-	-	45	-	43	-	41	-	-	38	-	-	35	-	-			
															-	31	-	29	28	-	-	-	-	23	-	-	20	-	-	17			
															16	-	-	13	12	11	-	-	-	7	-	-	-	-	-	1			
MX123 CONN ASSY 73 CKT BLU OPT0 KEY C/41	345664863	C-HSG-C0	G-CAP-0-P	TPA-C0	RS	LS	MAL	CPA	MSEAL	RSEAL	-	71	-	69	-	67	-	65	64	-	-	61	60	-	58	-	56	55	54	-			
											-	-	50	49	-	-	-	45	-	43	-	41	-	-	-	-	35	-	-				
															-	31	-	29	28	-	-	-	-	23	-	-	20	19	18	17			
															16	-	-	13	12	11	-	-	-	7	-	-	-	3	-	1			
MX123 CONN ASSY 73 CKT BLU OPT0 KEY C/40	345664873	C-HSG-C0	G-CAP-0-P	TPA-C0	RS	LS	MAL	CPA	MSEAL	RSEAL	-	71	-	69	-	67	-	65	64	-	-	61	60	-	58	-	56	55	54	-			
											-	-	50	49	-	-	-	45	-	43	-	41	-	-	38	-	-	35	-	-			
															-	31	-	29	28	-	-	-	-	23	-	-	20	19	18	17			
															16	-	-	13	12	11	-	-	-	7	-	-	-	3	-	1			
MX123 CONN ASSY 73 CKT BLK OPT9 KEY A/39	345664883	C-HSG-A9	G-CAP-9-P	TPA-A9	RS	LS	MAL	CPA	MSEAL	RSEAL	-	71	70	-	68	-	66	-	64	-	62	61	-	59	58	-	-	55	54	-			
											52	51	50	-	48	-	-	45	-	-	42	41	-	39	38	-	-	-	34	-			
															32	-	-	-	-	27	26	25	-	23	22	-	-	19	18	-			
															-	-	-	-	12	-	-	9	8	7	6	-	-	-	-	-			
MX123 CONN ASSY 73 CKT GRY OPT9 KEY B/24	345664893	C-HSG-B9	G-CAP-9-P	TPA-B9	RS	LS	MAL	CPA	MSEAL	RSEAL	72	71	70	69	-	-	66	65	-	-	62	61	60	59	-	-	56	-	54	53			
											52	51	50	49	48	47	-	-	44	-	42	41	40	39	-	37	36	-	34	33			
															-	31	-	-	-	26	25	24	23	-	21	20	-	18	-				
															16	-	14	-	12	11	-	9	8	7	6	5	4	3	2	-			
MX123 CONN ASSY 73 CKT BLK OPT0 KEY A/21	345664903	C-HSG-A0	G-CAP-0-P	TPA-A0	RS	LS	MAL	CPA	MSEAL	RSEAL	-	-	-	-	-	67	-	-	-	-	-	60	-	-	-	-	54	53					
											-	-	-	-	48	-	46	45	-	-	42	-	40	39	-	-	-	-	-				
															-	-	-	-	-	26	25	-	-	22	21	-	-	-	-				
															-	-	-	-	-	-	-	8	7	6	5	4	3	-	-				
MX123 CONN ASSY 73 CKT GRY OPT9 KEY B/27	345664913	C-HSG-B9	G-CAP-9-P	TPA-B9	RS	LS	MAL	CPA	MSEAL	RSEAL	72	71	70	69	-	-	66	65	-	-	62	61	60	59	-	-	56	-	54	-			
											52	51	50	49	48	47	-	-	44	-	42	41	40	39	-	-	36	-	34	33			
															-	31	-	-	-	26	25	24	23	-	-	20	-	18	-				
															16	15	14	13	-	11	-	9	8	7	6	5	4	3	2	-			
MX123 CONN ASSY 73 CKT BLK OPT9 KEY A/38	345664923	C-HSG-A9	G-CAP-9-P	TPA-A9	RS	LS	MAL	CPA	MSEAL	RSEAL	-	71	70	-	68	-	66	-	64	-	62	61	-	59	58	-	-	55	54	-			
											52	51	50	-	48	-	46	45	-	-	42	41	-	39	38	-	-	-	34	-			
															32	-	-	-	-	27	26	25	-	23	22	-	-	19	18	-			
															-	-	-	-	12	-	-	9	8	7	6	-	-	-	-	-			

ASSEMBLY DESCRIPTION	ASSEMBLY PART NUMBER	CONNECTOR HOUSING	GROMMET CAP	TPA	RIGHT SLIDE	LEFT SLIDE	MATE ASSIST LEVER	CPA	MAT SEAL	RING SEAL	BLOCKED TERMINALS																		STATUS	COMMENTS	INTEGRAL COMPONENTS SOLD SEPARATELY								
											CAVITY WITH A NUMBER INDICATES BLOCKED TERMINAL POSITION																				DRESS COVER								
											CAVITY WITHOUT A NUMBER INDICATES OPEN TERMINAL POSITION																												
MX123 CONN ASSY 73 CKT BLU OPT0 KEY C/41	345664933	C-HSG-C0	G-CAP-0-P	TPA-C0	RS	LS	MAL	CPA	MSEAL	RSEAL	-	71	-	69	-	-	-	65	64	-	-	61	60	-	58	-	56	55	54	-	SALEABLE		345650003						
											-	-	50	49	-	-	-	45	-	43	42	41	-	-	38	-	-	-	-	-				-	-	-	-	-	
											-			-	31	-	29	28	-	-	-	-	23	-	-	20	19	18	17										
											-			16	-	-	13	12	11	-	-	-	7	-	-	-	3	-	1										
MX123 CONN ASSY 73 CKT BLK OPT0 KEY A/49	345664943	C-HSG-A0	G-CAP-0-P	TPA-A0	RS	LS	MAL	CPA	MSEAL	RSEAL	72	71	-	-	-	-	66	65	64	-	-	-	-	-	-	-	-	-	-	-	SALEABLE		345650003						
											-	-	-	-	48	47	46	45	-	-	-	-	40	-	-	-	-	35	-	33									
											-			-	-	30	-	-	-	-	-	-	24	-	22	21	20	-	-	17									
											-			-	-	-	-	-	-	-	-	-	7	6	5	4	-	2	1										
MX123 CONN ASSY 73 CKT GRY OPT0 KEY B/51	345664953	C-HSG-B0	G-CAP-0-P	TPA-B0	RS	LS	MAL	CPA	MSEAL	RSEAL	-	-	-	-	-	-	-	-	-	-	62	61	60	-	58	57	56	55	54	-	SALEABLE		345650003						
											-	-	-	-	-	-	-	-	-	-	-	42	41	40	-	38	37	36	35	-				-	-	-			
											-			-	-	-	-	-	-	-	-	-	-	-	22	21	20	-	-	-									
											-			-	-	-	-	-	-	-	-	9	-	-	6	5	4	-	-	-									
MX123 CONN ASSY 73 CKT BLK OPT9 KEY A/43	345664963	C-HSG-A9	G-CAP-9-P	TPA-A9	RS	LS	MAL	CPA	MSEAL	RSEAL	-	71	70	-	68	-	-	-	64	-	62	61	-	59	58	-	-	55	54	-	SALEABLE		345650003						
											52	51	50	-	48	-	-	45	-	-	-	41	-	39	38	-	-	-	34	-									
											-			32	-	-	-	-	-	-	-	25	-	23	22	-	-	19	18	-									
											-			-	-	-	-	12	-	-	9	8	7	6	-	-	-	-	-										
MX123 CONN ASSY 73 CKT GRY OPT9 KEY B/27	345664973	C-HSG-B9	G-CAP-9-P	TPA-B9	RS	LS	MAL	CPA	MSEAL	RSEAL	72	71	70	69	-	-	66	65	-	63	62	61	60	-	-	57	56	55	-	53	SALEABLE		345650003						
											52	51	50	49	48	47	-	-	-	-	42	41	40	-	-	37	36	35	34	33									
											-			-	31	-	-	-	-	-	26	25	24	-	-	21	20	19	18	-									
											-			16	-	14	-	-	11	-	9	8	7	-	5	4	3	2	-										
MX123 CONN ASSY 73 CKT GRY OPT0 KEY B/39	345664983	C-HSG-B0	G-CAP-0-P	TPA-B0	RS	LS	MAL	CPA	MSEAL	RSEAL	-	71	-	69	-	67	-	65	64	63	62	61	-	-	58	57	56	-	-	-	SALEABLE		345650003						
											-	51	-	49	-	47	-	45	-	43	42	41	-	-	38	37	36	-	-	-									
											-			-	-	-	-	-	-	-	-	-	-	-	22	21	20	-	-	-									
											-			-	15	14	13	12	11	-	9	-	-	6	5	4	3	-	-										
MX123 CONN ASSY 73 CKT BLK OPT0 KEY A/36	345664993	C-HSG-A0	G-CAP-0-P	TPA-A0	RS	LS	MAL	CPA	MSEAL	RSEAL	-	-	-	-	68	-	66	65	-	-	62	61	-	-	58	57	-	-	-	-	SALEABLE		345650003						
											-	-	50	-	48	-	46	-	-	-	-	-	40	39	38	37	-	35	-	33									
											-			-	31	-	29	-	27	-	25	24	23	22	21	20	-	-	17										
											-			-	-	14	13	-	11	-	9	8	7	6	5	4	-	2	1										
MX123 CONN ASSY 73 CKT GRY OPT9 KEY B/31	345665013	C-HSG-B9	G-CAP-9-P	TPA-B9	RS	LS	MAL	CPA	MSEAL	RSEAL	72	71	70	69	-	-	66	65	-	-	62	61	60	-	-	57	56	-	-	53	SALEABLE		345650003						
											52	51	50	49	48	47	-	-	-	-	42	41	40	-	-	37	36	-	34	33									
											-			-	31	-	-	-	-	-	26	25	24	-	-	21	20	-	18	-									
											-			16	-	14	-	-	11	-	9	8	7	-	5	4	3	2	-										
MX123 CONN ASSY 73 CKT BLU OPT0 KEY C/38	345665023	C-HSG-C0	G-CAP-0-P	TPA-C0	RS	LS	MAL	CPA	MSEAL	RSEAL	-	71	-	69	-	-	66	65	64	-	-	61	60	-	58	-	56	55	54	-	SALEABLE		345650003						
											-	-	50	49	-	-	-	45	-	43	-	41	-	-	38	-	-	35	-	-									
											-			-	31	-	29	28	27	-	-	-	23	-	-	-	19	18	17										
											-			16	-	-	13	12	11	10	9	-	7	-	-	-	3	-	1										
MX123 CONN ASSY 73 CKT BLK OPT0 KEY A/40	345665033	C-HSG-A0	G-CAP-0-P	TPA-A0	RS	LS	MAL	CPA	MSEAL	RSEAL	72	71	-	-	68	67	66	65	64	-	-	-	-	59	-	-	-	-	-	-	SALEABLE		345650003						
											-	-	50	-	48	47	46	45	-	-	-	-	40	39	38	-	-	-	-	-									
											-			-	31	30	-	-	-	-	-	-	24	23	22	21	20	-	-	17									
											-			-	-	14	-	-	-	-	9	8	7	6	5	4	-	2	1										
MX123 CONN ASSY 73 CKT BLK OPT0 KEY A/2	345665043	C-HSG-A0	G-CAP-0-P	TPA-A0	RS	LS	MAL	CPA	MSEAL	RSEAL	72	71	70	69	68	67	66	65	64	63	62	61	60	59	58	57	56	55	54	53	SALEABLE		345650003						
											52	51	50	49	48	47	46	45	44	43	42	41	40	39	38	37	36	35	34	33									
											-			32	-	30	29	28	27	26	25	24	23	22	21	20	19	18	17										
											-			16	15	14	13	12	11	10	9	8	7	6	5	4	3	2	1										
MX123 CONN ASSY 73 CKT GRY OPT0 KEY B/6	345665053	C-HSG-B0	G-CAP-0-P	TPA-B0	RS	LS	MAL	CPA	MSEAL	RSEAL	72	71	70	69	68	67	66	65	64	63	62	61	60	59	58	57	56	55	54	53	SALEABLE		345650003						
											52	51	50	49	48	-	46	45	44	43	42	41	40	39	38	37	36	35	34	33									
											-			32	-	30	29	28	27	26	25	24	23	22	21	-	19	18	-										
											-			16	15	14	13	12	11	10	9	8	7	6	5	4	3	2	-										

ASSEMBLY DESCRIPTION	ASSEMBLY PART NUMBER	CONNECTOR HOUSING	GROMMET CAP	TPA	RIGHT SLIDE	LEFT SLIDE	MATE ASSIST LEVER	CPA	MAT SEAL	RING SEAL	BLOCKED TERMINALS																		STATUS	COMMENTS	INTEGRAL COMPONENTS SOLD SEPARATELY
											CAVITY WITH A NUMBER INDICATES BLOCKED TERMINAL POSITION CAVITY WITHOUT A NUMBER INDICATES OPEN TERMINAL POSITION																				DRESS COVER
MX123 CONN ASSY 73 CKT BLK OPT0 KEY A/40	345665193	C-HSG-A0	G-CAP-0-P	TPA-A0	RS	LS	MAL	CPA	MSEAL	RSEAL	72	71	-	-	68	67	66	65	64	-	-	-	-	59	-	-	-	-	-	-	
											-	-	50	-	48	47	46	45	-	-	-	-	40	39	38	-	-	35	-	33	
																						-	31	30	-	-	-	25	24	23	22
MX123 CONN ASSY 73 CKT BLK OPT0 KEY A/15	345665203	C-HSG-A0	G-CAP-0-P	TPA-A0	RS	LS	MAL	CPA	MSEAL	RSEAL	-	-	70	-	-	-	-	65	-	-	-	61	60	-	-	-	-	55	-	-	
											-	-	-	-	-	-	45	-	-	-	41	40	-	-	-	-	-	-	-	-	
																						-	-	-	-	28	-	26	25	-	-
MX123 CONN ASSY 73 CKT BLK OPT0 KEY A/51	345665213	C-HSG-A0	G-CAP-0-P	TPA-A0	RS	LS	MAL	CPA	MSEAL	RSEAL	-	-	-	-	-	-	-	-	-	-	-	61	-	-	58	57	56	-	-	-	
											-	51	50	-	-	47	46	45	-	-	-	-	-	38	37	36	-	-	-		
																						-	31	30	-	28	-	26	-	-	-
MX123 CONN ASSY 73 CKT BLU OPT0 KEY C/34	345665223	C-HSG-C0	G-CAP-0-P	TPA-C0	RS	LS	MAL	CPA	MSEAL	RSEAL	-	71	-	69	68	-	-	65	64	-	-	61	60	-	58	-	56	55	54	-	
											-	-	50	49	-	47	-	45	-	43	-	41	-	-	38	37	36	35	-	-	
																						-	31	-	29	28	-	-	24	23	-
MX123 CONN ASSY 73 CKT BLU OPT0 KEY C/41	345665233	C-HSG-C0	G-CAP-0-P	TPA-C0	RS	LS	MAL	CPA	MSEAL	RSEAL	-	71	-	69	-	-	-	65	64	-	-	61	60	-	58	-	-	-	54	-	
											-	-	50	49	-	-	-	45	-	43	-	41	-	-	37	36	35	-	-		
																						-	31	-	29	28	27	-	24	23	-
MX123 CONN ASSY 73 CKT BLU OPT0 KEY C/60	345665243	C-HSG-C0	G-CAP-0-P	TPA-C0	RS	LS	MAL	CPA	MSEAL	RSEAL	-	-	-	-	-	-	-	64	-	-	-	60	-	-	-	-	-	-			
											52	-	-	-	-	47	-	-	-	-	-	-	-	37	-	-	-	-			
																						32	-	-	-	-	-	-	24	23	-
MX123 CONN ASSY 73 CKT GRY OPT0 KEY B/39	345665253	C-HSG-B0	G-CAP-0-P	TPA-B0	RS	LS	MAL	CPA	MSEAL	RSEAL	72	71	70	69	68	-	-	65	64	-	62	61	60	-	-	-	-	-	54	-	
											52	51	-	-	-	47	-	44	-	42	41	40	-	-	-	-	-	-	-		
																						32	31	30	-	28	-	26	25	24	-
MX123 CONN ASSY 73 CKT GRY OPT0 KEY B/50	345665263	C-HSG-B0	G-CAP-0-P	TPA-B0	RS	LS	MAL	CPA	MSEAL	RSEAL	-	-	-	69	-	-	-	65	64	63	-	-	-	-	-	-	-	-			
											-	-	-	49	-	-	-	45	44	43	-	-	-	-	-	-	-	-	-		
																						-	-	-	-	-	-	26	-	-	23
MX123 CONN ASSY 73 CKT BLK OPT0 KEY A/40	345665273	C-HSG-A0	G-CAP-0-P	TPA-A0	RS	LS	MAL	CPA	MSEAL	RSEAL	72	71	-	-	68	67	66	65	64	-	-	-	-	59	-	-	-	-	-		
											-	-	50	-	48	47	46	45	-	-	-	-	40	39	38	-	-	35	-	33	
																						-	31	30	-	-	-	25	24	-	22
MX123 CONN ASSY 73 CKT BLU OPT0 KEY C/41	345665283	C-HSG-C0	G-CAP-0-P	TPA-C0	RS	LS	MAL	CPA	MSEAL	RSEAL	-	71	-	69	-	-	-	65	64	-	-	61	60	-	58	-	-	-	-		
											-	-	50	49	-	-	-	45	44	43	-	-	-	-	-	-	-	-	-		
																						-	31	-	29	28	27	-	24	23	-
MX123 CONN ASSY 73 CKT BLK OPT0 KEY A/41	345665293	C-HSG-A0	G-CAP-0-P	TPA-A0	RS	LS	MAL	CPA	MSEAL	RSEAL	72	71	-	-	68	67	66	65	64	-	-	-	-	59	-	-	-	-	-		
											-	-	50	-	48	47	46	45	-	-	-	-	39	38	-	-	35	-	33		
																						-	31	30	-	-	-	25	24	23	22
MX123 CONN ASSY 73 CKT GRY OPT0 KEY B/49	345665303	C-HSG-B0	G-CAP-0-P	TPA-B0	RS	LS	MAL	CPA	MSEAL	RSEAL	72	71	70	69	68	67	66	-	-	63	62	61	60	-	58	-	56	-	54	-	
											52	51	-	-	-	47	-	45	44	43	42	41	40	-	38	-	36	-	34	-	
																						-	31	30	-	28	27	26	25	24	-

ASSEMBLY DESCRIPTION	ASSEMBLY PART NUMBER	CONNECTOR HOUSING	GROMMET CAP	TPA	RIGHT SLIDE	LEFT SLIDE	MATE ASSIST LEVER	CPA	MAT SEAL	RING SEAL	BLOCKED TERMINALS																		STATUS	COMMENTS	INTEGRAL COMPONENTS SOLD SEPARATELY		
											CAVITY WITH A NUMBER INDICATES BLOCKED TERMINAL POSITION																				DRESS COVER		
											CAVITY WITHOUT A NUMBER INDICATES OPEN TERMINAL POSITION																						
MX123 CONN ASSY 73 CKT BLU OPT0 KEY C/47	345665313	C-HSG-C0	G-CAP-0-P	TPA-C0	RS	LS	MAL	CPA	MSEAL	RSEAL	-	71	-	69	-	-	-	65	64	-	-	61	60	-	58	-	-	-	54	-			
											-	-	50	49	-	-	-	45	-	43	-	41	-	-	-	-	35	-	-				
											-																		16	-	-	13	12
MX123 CONN ASSY 73 CKT BLK OPT0 KEY A/35	345665333	C-HSG-A0	G-CAP-0-P	TPA-A0	RS	LS	MAL	CPA	MSEAL	RSEAL	-	-	-	69	-	-	-	-	-	-	-	61	-	-	58	57	-	55	54	-			
											52	-	50	-	-	-	-	-	-	-	42	-	-	39	38	37	36	35	34	33			
											-																		32	31	-	-	-
MX123 CONN ASSY 73 CKT GRY OPT0 KEY B/24	345665343	C-HSG-B0	G-CAP-0-P	TPA-B0	RS	LS	MAL	CPA	MSEAL	RSEAL	72	71	70	69	-	-	66	65	-	63	62	61	60	-	-	57	56	55	-	53			
											52	51	50	49	48	47	-	-	44	43	42	41	40	-	-	37	36	35	34	33			
											-																		16	15	14	13	-
MX123 CONN ASSY 73 CKT GRY OPT9 KEY B/32	345665353	C-HSG-B9	G-CAP-9-P	TPA-B9	RS	LS	MAL	CPA	MSEAL	RSEAL	72	71	70	69	-	-	66	65	-	63	62	61	60	-	-	57	56	-	-	53			
											52	51	50	49	48	47	-	-	-	-	42	41	40	-	-	37	36	-	-	33			
											-																		16	-	14	-	-
MX123 CONN ASSY 73 CKT BLU OPT0 KEY C/35	345665363	C-HSG-C0	G-CAP-0-P	TPA-C0	RS	LS	MAL	CPA	MSEAL	RSEAL	-	71	-	69	-	67	-	65	64	-	-	61	60	-	58	-	56	55	54	-			
											-	-	50	49	-	-	-	45	-	43	-	41	-	-	-	37	36	35	-	-			
											-																		16	-	-	13	12
MX123 CONN ASSY 73 CKT BLU OPT0 KEY C/32	345665373	C-HSG-C0	G-CAP-0-P	TPA-C0	RS	LS	MAL	CPA	MSEAL	RSEAL	-	71	-	69	-	67	-	65	64	-	-	61	60	-	58	-	56	55	54	-			
											-	-	50	49	-	-	-	45	-	43	-	41	-	-	38	37	36	35	-	-			
											-																		16	-	-	13	12
MX123 CONN ASSY 73 CKT BLU OPT0 KEY C/39	345665383	C-HSG-C0	G-CAP-0-P	TPA-C0	RS	LS	MAL	CPA	MSEAL	RSEAL	-	71	-	69	-	67	-	65	64	-	-	61	60	-	58	-	56	55	54	-			
											-	-	50	49	-	-	-	45	-	43	-	41	-	-	38	-	-	35	-	-			
											-																		16	-	-	13	12
MX123 CONN ASSY 73 CKT BLK OPT0 KEY A/30	345665393	C-HSG-A0	G-CAP-0-P	TPA-A0	RS	LS	MAL	CPA	MSEAL	RSEAL	72	71	-	-	68	67	66	65	64	-	62	61	60	59	58	57	-	-	-	-			
											-	-	50	-	48	47	46	45	-	-	-	-	40	39	38	37	-	35	-	33			
											-																		15	14	13	-	11
MX123 CONN ASSY 73 CKT GRY OPT0 KEY B/42	345665403	C-HSG-B0	G-CAP-0-P	TPA-B0	RS	LS	MAL	CPA	MSEAL	RSEAL	72	71	70	69	68	67	66	-	64	63	62	61	60	-	-	-	-	54	-				
											52	51	-	-	-	47	-	-	44	43	42	41	40	-	-	-	36	-	-	-			
											-																		32	31	30	-	28
MX123 CONN ASSY 73 CKT BLK OPT0 KEY A/31	345665413	C-HSG-A0	G-CAP-0-P	TPA-A0	RS	LS	MAL	CPA	MSEAL	RSEAL	72	71	-	-	68	67	66	65	64	-	62	61	60	59	58	57	-	-	-	-			
											-	-	50	-	48	47	46	45	-	-	-	-	40	39	38	37	-	35	-	33			
											-																		15	14	13	-	11
MX123 CONN ASSY 73 CKT BLK OPT0 KEY A/27	345665423	C-HSG-A0	G-CAP-0-P	TPA-A0	RS	LS	MAL	CPA	MSEAL	RSEAL	72	71	-	-	68	67	66	65	64	-	62	61	60	59	-	57	-	-	-	-			
											-	-	50	-	48	47	46	45	-	-	-	-	40	39	38	37	-	35	-	33			
											-																		15	14	13	-	11
MX123 CONN ASSY 73 CKT GRY OPT9 KEY B/22	345665433	C-HSG-B9	G-CAP-9-P	TPA-B9	RS	LS	MAL	CPA	MSEAL	RSEAL	72	71	70	69	-	-	66	65	-	63	62	61	60	-	-	57	56	55	-	53			
											52	51	50	49	48	47	-	-	44	43	42	41	40	-	-	37	36	35	34	33			
											-																		16	15	14	13	12

ASSEMBLY DESCRIPTION	ASSEMBLY PART NUMBER	CONNECTOR HOUSING	GROMMET CAP	TPA	RIGHT SLIDE	LEFT SLIDE	MATE ASSIST LEVER	CPA	MAT SEAL	RING SEAL	BLOCKED TERMINALS																				STATUS	COMMENTS	INTEGRAL COMPONENTS SOLD SEPARATELY
											CAVITY WITH A NUMBER INDICATES BLOCKED TERMINAL POSITION																						DRESS COVER
											CAVITY WITHOUT A NUMBER INDICATES OPEN TERMINAL POSITION																						
MX123 CONN ASSY 73 CKT GRY OPT9 KEY B/24	345665443	C-HSG-B9	G-CAP-9-P	TPA-B9	RS	LS	MAL	CPA	MSEAL	RSEAL	72	71	70	69	-	-	66	65	-	63	62	61	60	-	-	57	56	55	-	53			
											52	51	50	49	48	47	-	-	44	43	42	41	40	-	-	37	36	35	34	33			
															-	31	-	-	-	-	26	25	24	-	-	21	20	19	18	-			
															16	-	14	-	12	11	-	9	8	7	-	5	4	3	2	-			
MX123 CONN ASSY 73 CKT GRY OPT0 KEY B/24	345665453	C-HSG-B0	G-CAP-0-P	TPA-B0	RS	LS	MAL	CPA	MSEAL	RSEAL	72	71	70	69	-	-	66	65	-	63	62	61	60	-	-	57	56	55	-	53			
											52	51	50	49	48	47	-	-	44	43	42	41	40	-	-	37	36	35	34	33			
															-	31	-	-	-	-	26	25	24	-	-	21	20	19	18	-			
															16	-	14	-	12	11	-	9	8	7	-	5	4	3	2	-			
MX123 CONN ASSY 73 CKT BLK OPT0 KEY A/21	345665463	C-HSG-A0	G-CAP-0-P	TPA-A0	RS	LS	MAL	CPA	MSEAL	RSEAL	-	71	-	69	68	67	66	65	64	-	62	61	60	59	58	57	56	55	54	53			
											-	51	50	-	48	47	46	45	44	43	42	-	40	39	38	37	36	35	34	33			
															32	-	-	29	-	-	-	25	24	-	22	21	-	-	18	17			
															-	-	-	13	-	11	-	9	8	7	-	5	4	3	2	1			
MX123 CONN ASSY 73 CKT BLK OPT0 KEY A/45	345665473	C-HSG-A0	G-CAP-0-P	TPA-A0	RS	LS	MAL	CPA	MSEAL	RSEAL	-	-	-	69	-	-	-	-	-	-	-	61	-	-	58	57	-	55	54	-			
											-	-	50	49	-	-	-	-	-	-	-	-	-	39	38	37	36	35	34	33			
															32	-	-	-	-	-	-	-	-	22	21	-	-	18	-				
															-	-	-	13	-	-	-	9	8	7	-	5	4	3	2	1			
MX123 CONN ASSY 73 CKT GRY OPT0 KEY B/39	345665483	C-HSG-B0	G-CAP-0-P	TPA-B0	RS	LS	MAL	CPA	MSEAL	RSEAL	-	71	-	69	-	67	-	65	-	-	62	61	-	-	58	57	56	-	-	-			
											-	51	-	49	-	47	-	45	44	43	42	41	-	-	38	37	36	-	-	-			
															-	-	-	-	-	-	-	-	-	23	22	21	-	19	18	-			
															-	15	14	13	12	11	-	9	-	7	6	-	-	3	-	-			
MX123 CONN ASSY 73 CKT BLK OPT0 KEY A/37	345665493	C-HSG-A0	G-CAP-0-P	TPA-A0	RS	LS	MAL	CPA	MSEAL	RSEAL	-	71	-	-	68	67	66	65	64	-	62	61	-	-	-	-	-	-	-				
											-	-	50	-	48	47	46	45	-	-	-	-	-	39	38	-	-	35	-	33			
															-	31	30	29	-	27	-	25	24	23	22	21	20	-	-	-			
															-	-	14	13	-	11	-	9	8	7	6	5	4	-	-	-			
MX123 CONN ASSY 73 CKT BLK OPT0 KEY A/30	345665503	C-HSG-A0	G-CAP-0-P	TPA-A0	RS	LS	MAL	CPA	MSEAL	RSEAL	-	-	70	-	-	-	-	65	-	-	-	61	-	-	58	57	56	55	54	53			
											-	51	50	-	-	47	-	45	-	-	-	41	-	-	38	37	36	-	34	-			
															-	31	30	-	28	-	-	25	-	-	22	21	20	19	18	-			
															16	15	-	-	-	-	-	-	-	-	-	-	-	-	-	-			
MX123 CONN ASSY 73 CKT GRY OPT9 KEY B/22	345665513	C-HSG-B9	G-CAP-9-P	TPA-B9	RS	LS	MAL	CPA	MSEAL	RSEAL	72	71	70	69	-	-	66	65	-	63	62	61	60	59	-	57	56	-	54	53			
											52	51	50	49	48	47	-	-	44	43	42	41	40	39	-	37	36	-	34	33			
															-	31	-	-	-	-	26	25	24	23	-	21	20	-	18	-			
															16	15	14	13	12	11	-	9	8	7	6	5	4	3	2	-			
MX123 CONN ASSY 73 CKT BLK OPT9 KEY A/42	345665523	C-HSG-A9	G-CAP-9-P	TPA-A9	RS	LS	MAL	CPA	MSEAL	RSEAL	-	71	70	-	68	-	-	-	64	-	62	61	-	59	58	-	-	55	54	-			
											52	51	50	-	48	-	46	45	-	-	-	41	-	39	38	-	-	-	34	-			
															32	-	-	-	-	-	25	-	23	22	-	-	19	18	-				
															-	-	-	-	12	-	-	9	8	7	6	-	-	-	-				
MX123 CONN ASSY 73 CKT GRY OPT9 KEY B/24	345665533	C-HSG-B9	G-CAP-9-P	TPA-B9	RS	LS	MAL	CPA	MSEAL	RSEAL	72	71	70	69	-	-	66	65	-	63	62	61	60	-	-	57	56	55	-	53			
											52	51	50	49	48	47	-	-	44	43	42	41	40	-	-	37	36	35	34	33			
															-	31	-	-	-	-	26	25	24	-	-	21	20	19	18	-			
															16	15	14	13	12	11	-	9	-	7	-	5	4	3	2	-			
MX123 CONN ASSY 73 CKT BLK OPT9 KEY A/24	345665543	C-HSG-A9	G-CAP-9-P	TPA-A9	RS	LS	MAL	CPA	MSEAL	RSEAL	72	71	70	69	-	-	66	65	-	63	62	61	60	-	-	57	56	55	-	53			
											52	51	50	49	48	47	-	-	44	43	42	41	40	-	-	37	36	35	34	33			
															-	31	-	-	-	-	26	25	24	-	-	21	20	19	18	-			
															16	15	14	13	-	11	-	9	-	7	-	5	4	3	2	-			
MX123 CONN ASSY 73 CKT GRY OPT9 KEY B/24	345665553	C-HSG-B9	G-CAP-9-P	TPA-B9	RS	LS	MAL	CPA	MSEAL	RSEAL	72	71	70	69	-	-	66	65	-	63	62	61	60	-	-	57	56	55	-	53			
											52	51	50	49	48	47	-	-	44	43	42	41	40	-	-	37	36	35	34	33			
															-	31	-	-	-	-	26	25	24	-	-	21	20	19	18	-			
															16	15	14	13	-	11	-	9	-	7	-	5	4	3	2	-			

ASSEMBLY DESCRIPTION	ASSEMBLY PART NUMBER	CONNECTOR HOUSING	GROMMET CAP	TPA	RIGHT SLIDE	LEFT SLIDE	MATE ASSIST LEVER	CPA	MAT SEAL	RING SEAL	BLOCKED TERMINALS																				STATUS	COMMENTS	INTEGRAL COMPONENTS SOLD SEPARATELY
											CAVITY WITH A NUMBER INDICATES BLOCKED TERMINAL POSITION																						DRESS COVER
											CAVITY WITHOUT A NUMBER INDICATES OPEN TERMINAL POSITION																						
MX123 CONN ASSY 73 CKT GRY OPT0 KEY B/18	345665683	C-HSG-B0	G-CAP-0-P	TPA-B0	RS	LS	MAL	CPA	MSEAL	RSEAL	-	71	70	69	68	67	66	65	64	63	-	-	60	59	58	57	56	55	54	53	SALEABLE		345650003
											-	51	50	49	-	47	-	45	-	-	42	-	-	39	38	37	36	35	34	33			
															32	31	-	29	28	27	26	25	24	23	22	21	-	-	-	17			
MX123 CONN ASSY 73 CKT BLK OPT0 KEY A/53	345665693	C-HSG-A0	G-CAP-0-P	TPA-A0	RS	LS	MAL	CPA	MSEAL	RSEAL	-	-	-	-	-	67	-	-	-	-	62	-	-	59	58	-	-	55	-	-	SALEABLE		345650003
											-	-	-	-	-	47	-	-	-	-	42	41	-	-	-	-	-	35	-	-			
															-	-	-	-	-	27	-	-	24	-	-	-	-	19	18	17			
MX123 CONN ASSY 73 CKT GRY OPT0 KEY B/52	345665703	C-HSG-B0	G-CAP-0-P	TPA-B0	RS	LS	MAL	CPA	MSEAL	RSEAL	72	71	70	69	-	67	66	65	64	63	62	61	60	-	58	-	56	-	54	-	SALEABLE		345650003
											52	51	50	-	-	47	-	45	44	43	42	41	40	-	38	-	36	-	34	-			
															32	31	30	-	28	27	26	25	24	-	22	-	20	19	-	-			
MX123 CONN ASSY 73 CKT BLU OPT0 KEY C/40	345665713	C-HSG-C0	G-CAP-0-P	TPA-C0	RS	LS	MAL	CPA	MSEAL	RSEAL	72	71	70	-	68	-	-	65	-	63	-	61	-	59	58	-	56	-	-	53	SALEABLE		345650003
											-	-	-	49	-	47	-	-	-	43	-	41	40	39	38	-	36	-	-	-			
															-	-	30	29	-	-	-	25	24	23	22	21	20	-	-	-			
MX123 CONN ASSY 73 CKT BLU OPT0 KEY C/36	345665723	C-HSG-C0	G-CAP-0-P	TPA-C0	RS	LS	MAL	CPA	MSEAL	RSEAL	72	71	70	-	68	-	-	65	-	63	62	-	-	59	58	-	56	55	-	53	SALEABLE		345650003
											-	-	-	-	-	47	-	-	-	43	42	-	40	39	38	-	36	35	-	-			
															32	-	30	29	-	-	26	-	24	23	22	21	20	19	-	17			
MX123 CONN ASSY 73 CKT BLK OPT0 KEY A/36	345665733	C-HSG-A0	G-CAP-0-P	TPA-A0	RS	LS	MAL	CPA	MSEAL	RSEAL	72	-	-	-	68	67	66	65	-	-	62	61	-	-	-	-	-	-	-	SALEABLE		345650003	
											-	-	50	-	48	47	46	-	-	-	-	-	40	39	38	-	-	35	-				33
															-	31	-	29	-	27	-	25	24	23	22	21	20	-	-				17
MX123 CONN ASSY 73 CKT BLK OPT0 KEY A/36	345665743	C-HSG-A0	G-CAP-0-P	TPA-A0	RS	LS	MAL	CPA	MSEAL	RSEAL	72	-	-	-	68	-	66	65	-	-	62	61	-	-	58	-	-	-	-	SALEABLE		345650003	
											-	-	50	-	48	47	46	-	-	-	-	-	40	39	38	-	-	35	-				33
															-	31	-	29	-	27	-	25	24	23	22	21	20	-	-				17
MX123 CONN ASSY 73 CKT BLK OPT0 KEY A/39	345665753	C-HSG-A0	G-CAP-0-P	TPA-A0	RS	LS	MAL	CPA	MSEAL	RSEAL	72	-	-	-	68	67	66	65	-	-	62	61	-	-	58	-	-	-	-	SALEABLE		345650003	
											-	-	50	-	48	47	46	-	-	-	-	-	40	39	38	-	-	35	-				33
															-	31	-	29	-	27	-	25	24	-	22	-	20	-	-				17
MX123 CONN ASSY 73 CKT BLU OPT0 KEY C/42	345665763	C-HSG-C0	G-CAP-0-P	TPA-C0	RS	LS	MAL	CPA	MSEAL	RSEAL	-	71	-	69	-	67	-	65	64	-	-	61	60	-	58	-	56	55	54	-	SALEABLE		345650003
											-	-	50	49	-	-	-	45	-	43	-	41	-	-	38	-	-	35	-	-			
															-	31	-	29	28	-	-	-	-	23	-	-	-	19	18	17			
MX123 CONN ASSY 73 CKT BLU OPT0 KEY C/41	345665773	C-HSG-C0	G-CAP-0-P	TPA-C0	RS	LS	MAL	CPA	MSEAL	RSEAL	-	71	-	69	-	67	66	65	64	-	-	61	60	-	-	-	56	55	54	-	SALEABLE		345650003
											-	-	50	49	-	-	46	45	-	43	-	41	-	-	38	-	-	35	-	-			
															-	31	-	29	28	-	-	-	-	23	-	-	-	19	18	-			
MX123 CONN ASSY 73 CKT BLU OPT0 KEY C/38	345665783	C-HSG-C0	G-CAP-0-P	TPA-C0	RS	LS	MAL	CPA	MSEAL	RSEAL	-	71	-	69	-	67	66	65	64	-	-	61	60	-	58	-	56	55	54	-	SALEABLE		345650003
											-	-	50	49	-	-	46	45	-	43	-	41	-	-	38	-	-	35	-	-			
															-	31	-	29	28	-	-	-	-	23	-	-	-	19	18	17			
MX123 CONN ASSY 73 CKT BLK OPT0 KEY B/34	345665793	C-HSG-B0	G-CAP-0-P	TPA-B0	RS	LS	MAL	CPA	MSEAL	RSEAL	-	71	-	69	-	67	-	65	64	63	62	61	-	-	58	57	56	-	-	-	SALEABLE		345650003
											-	51	-	49	-	47	-	45	44	43	42	41	-	-	38	37	36	-	-	-			
															-	-	-	-	-	-	-	-	-	23	22	21	20	19	18	-			

ASSEMBLY DESCRIPTION	ASSEMBLY PART NUMBER	CONNECTOR HOUSING	GROMMET CAP	TPA	RIGHT SLIDE	LEFT SLIDE	MATE ASSIST LEVER	CPA	MAT SEAL	RING SEAL	BLOCKED TERMINALS																		STATUS	COMMENTS	INTEGRAL COMPONENTS SOLD SEPARATELY		
											CAVITY WITH A NUMBER INDICATES BLOCKED TERMINAL POSITION																				DRESS COVER		
											CAVITY WITHOUT A NUMBER INDICATES OPEN TERMINAL POSITION																						
MX123 CONN ASSY 73 CKT GRY OPT0 KEY B/55	345665803	C-HSG-B0	G-CAP-0-P	TPA-B0	RS	LS	MAL	CPA	MSEAL	RSEAL	72	71	70	69	68	67	66	65	64	63	62	61	60	59	58	57	56	55	54	53	SALEABLE		345650003
											52	51	50	-	-	-	46	45	44	43	42	41	40	-	38	-	36	-	34	-			
															32	31	30	-	28	27	26	25	24	-	22	-	20	19	18	-			
MX123 CONN ASSY 73 CKT GRY OPT0 KEY B/38	345665813	C-HSG-B0	G-CAP-0-P	TPA-B0	RS	LS	MAL	CPA	MSEAL	RSEAL	-	71	-	69	-	67	-	65	64	63	62	61	-	-	58	57	56	-	-	-	SALEABLE		345650003
											-	51	-	49	-	47	-	45	44	43	42	41	-	-	38	37	36	-	-	-			
															-	-	-	-	-	-	-	-	-	22	21	20	-	-	-				
MX123 CONN ASSY 73 CKT BLK OPT0 KEY A/21	345665823	C-HSG-A0	G-CAP-0-P	TPA-A0	RS	LS	MAL	CPA	MSEAL	RSEAL	-	71	-	69	68	67	66	65	64	-	62	61	60	59	58	57	56	55	54	53	SALEABLE		345650003
											-	51	50	-	48	47	46	45	44	-	42	-	40	39	38	37	36	35	34	33			
															32	-	-	29	-	-	-	25	24	-	22	21	-	-	18	17			
MX123 CONN ASSY 73 CKT BLK OPT0 KEY A/22	345665833	C-HSG-A0	G-CAP-0-P	TPA-A0	RS	LS	MAL	CPA	MSEAL	RSEAL	-	71	-	69	68	67	66	65	64	-	62	61	60	59	58	57	56	55	54	53	SALEABLE		345650003
											-	51	50	-	48	47	46	45	44	-	42	-	40	39	38	37	36	35	34	33			
															32	-	-	29	-	-	-	25	24	-	22	21	-	-	18	17			
MX123 CONN ASSY 73 CKT BLU OPT0 KEY C/36	345665863	C-HSG-C0	G-CAP-0-P	TPA-C0	RS	LS	MAL	CPA	MSEAL	RSEAL	-	71	-	69	68	67	-	65	64	-	-	61	60	-	58	-	-	-	54	-	SALEABLE		345650003
											-	-	50	49	48	47	-	45	-	43	-	41	-	-	38	-	-	35	-	-			
															-	31	-	29	28	27	-	-	24	23	-	-	20	-	-	17			
MX123 CONN ASSY 73 CKT GRY OPT0 KEY B/20	345665873	C-HSG-B0	G-CAP-0-P	TPA-B0	RS	LS	MAL	CPA	MSEAL	RSEAL	-	71	70	69	68	67	66	65	64	63	-	-	60	59	58	57	56	55	54	53	SALEABLE		345650003
											-	51	50	49	-	-	-	45	-	-	42	-	-	39	38	37	36	35	34	33			
															32	31	-	29	28	27	26	25	24	23	22	21	-	-	-	17			
MX123 CONN ASSY 73 CKT GRY OPT0 KEY B/19	345665883	C-HSG-B0	G-CAP-0-P	TPA-B0	RS	LS	MAL	CPA	MSEAL	RSEAL	-	71	70	69	68	67	66	65	64	63	-	-	60	59	58	57	56	55	54	53	SALEABLE		345650003
											-	51	50	49	-	-	-	45	44	-	42	-	-	39	38	37	36	35	34	33			
															32	31	-	29	28	27	26	25	24	23	22	21	-	-	-	17			
MX123 CONN ASSY 73 CKT BLU OPT0 KEY C/35	345665893	C-HSG-C0	G-CAP-0-P	TPA-C0	RS	LS	MAL	CPA	MSEAL	RSEAL	72	71	70	-	68	-	-	65	64	63	-	61	-	59	58	-	56	-	-	53	SALEABLE		345650003
											-	-	-	49	-	47	-	-	-	43	-	41	40	39	38	-	36	-	-	-			
															-	31	30	29	-	-	-	25	24	23	22	21	20	-	-	17			
MX123 CONN ASSY 73 CKT BLK OPT0 KEY A/40	345665903	C-HSG-A0	G-CAP-0-P	TPA-A0	RS	LS	MAL	CPA	MSEAL	RSEAL	-	-	70	-	-	-	-	65	-	-	-	61	60	-	58	57	56	55	54	-	SALEABLE		345650003
											52	51	50	49	-	47	46	45	-	-	-	41	40	-	38	37	36	-	34	-			
															-	31	30	-	28	-	26	25	24	-	22	21	20	19	18	-			
MX123 CONN ASSY 73 CKT BLU OPT0 KEY C/34	345665913	C-HSG-C0	G-CAP-0-P	TPA-C0	RS	LS	MAL	CPA	MSEAL	RSEAL	72	71	70	-	68	-	-	65	-	63	62	-	-	59	58	-	56	55	-	53	SALEABLE		345650003
											-	-	-	-	-	47	-	-	-	43	42	-	40	39	38	-	36	35	-	-			
															-	31	30	29	-	-	26	-	24	23	22	21	20	19	-	17			
MX123 CONN ASSY 73 CKT BLU OPT0 KEY C/38	345665933	C-HSG-C0	G-CAP-0-P	TPA-C0	RS	LS	MAL	CPA	MSEAL	RSEAL	-	71	-	69	-	67	-	65	64	-	-	61	60	-	58	-	-	-	54	-	SALEABLE		345650003
											-	-	50	49	-	-	-	45	-	43	-	41	-	-	38	37	36	35	-	-			
															-	31	-	29	28	27	-	-	24	-	-	-	20	19	18	17			
MX123 CONN ASSY 73 CKT BLU OPT0 KEY C/41	345665943	C-HSG-C0	G-CAP-0-P	TPA-C0	RS	LS	MAL	CPA	MSEAL	RSEAL	-	71	-	69	-	-	-	65	64	-	-	61	60	-	58	-	-	-	54	-	SALEABLE		345650003
											-	-	50	-	-	-	-	45	-	43	-	41	-	-	38	37	36	35	-	-			
															-	31	-	29	28	-	-	-	24	23	-	-	-	19	18	17			

ASSEMBLY DESCRIPTION	ASSEMBLY PART NUMBER	CONNECTOR HOUSING	GROMMET CAP	TPA	RIGHT SLIDE	LEFT SLIDE	MATE ASSIST LEVER	CPA	MAT SEAL	RING SEAL	BLOCKED TERMINALS																				STATUS	COMMENTS	INTEGRAL COMPONENTS SOLD SEPARATELY					
											CAVITY WITH A NUMBER INDICATES BLOCKED TERMINAL POSITION																						DRESS COVER					
											CAVITY WITHOUT A NUMBER INDICATES OPEN TERMINAL POSITION																											
MX123 CONN ASSY 73 CKT BLK OPT0 KEY A/45	345665953	C-HSG-A0	G-CAP-0-P	TPA-A0	RS	LS	MAL	CPA	MSEAL	RSEAL	72	-	-	-	68	67	66	-	-	-	-	-	-	59	-	-	-	-	-	-								
											-	-	50	-	-	-	46	-	-	-	-	-	40	39	38	-	-	35	-	33								
											-												-	31	-	-	-	25	-	23	22	21	20	-	-	17		
											-												-	-	14	-	-	-	9	8	7	6	5	4	-	2	1	
MX123 CONN ASSY 73 CKT GRY OPT0 KEY B/51	345665963	C-HSG-B0	G-CAP-0-P	TPA-B0	RS	LS	MAL	CPA	MSEAL	RSEAL	-	-	-	69	-	-	-	65	64	63	-	-	-	-	-	-	-	-	-									
											-	-	-	49	-	-	-	45	44	43	-	-	-	-	-	-	-	-	-	-	-	-	-					
											-												-	-	-	-	-	-	23	22	21	20	19	-	17			
											-												-	-	-	-	12	11	-	-	-	7	6	5	4	-	2	1
MX123 CONN ASSY 73 CKT BLU OPT0 KEY C/41	345665973	C-HSG-C0	G-CAP-0-P	TPA-C0	RS	LS	MAL	CPA	MSEAL	RSEAL	-	71	-	69	-	-	-	65	64	-	-	61	60	-	58	-	-	-	54	-								
											-	-	50	49	-	-	-	45	-	43	-	41	-	-	38	37	36	35	-	-								
											-												-	31	-	29	28	-	-	24	23	-	-	20	-	-	17	
											-												16	-	-	13	12	11	-	-	8	7	-	-	-	-	2	1
MX123 CONN ASSY 73 CKT BLU OPT0 KEY C/36	345665983	C-HSG-C0	G-CAP-0-P	TPA-C0	RS	LS	MAL	CPA	MSEAL	RSEAL	72	71	70	-	68	-	-	65	-	63	-	61	-	59	58	-	56	-	-	53								
											-	-	-	49	-	47	-	-	-	43	-	41	40	39	38	-	36	-	-	-	-							
											-												-	31	30	29	-	-	25	24	23	22	21	20	-	-	17	
											-												-	-	-	-	-	-	-	8	7	6	5	4	3	2	1	
MX123 CONN ASSY 73 CKT BLK OPT0 KEY A/61	345665993	C-HSG-A0	G-CAP-0-P	TPA-A0	RS	LS	MAL	CPA	MSEAL	RSEAL	72	-	-	-	68	-	-	-	64	-	-	-	-	59	-	-	-	-	-									
											-	-	-	-	48	-	46	-	-	-	-	-	-	38	-	-	-	-	33									
											-												-	-	-	-	-	-	-	-	22	-	-	-	-	-		
											-												-	-	-	-	-	-	-	7	-	-	4	-	2	-		
MX123 CONN ASSY 73 CKT GRY OPT0 KEY B/55	345666003	C-HSG-B0	G-CAP-0-P	TPA-B0	RS	LS	MAL	CPA	MSEAL	RSEAL	72	71	70	69	68	-	-	-	64	63	62	61	60	-	58	-	56	-	54	-								
											52	51	50	-	-	-	46	45	44	43	42	41	40	-	38	-	36	-	34	-								
											-												32	31	30	-	28	27	26	25	24	-	22	-	20	19	18	17
											-												16	15	14	13	12	11	10	9	8	-	6	5	4	3	2	1
MX123 CONN ASSY 73 CKT GRY OPT0 KEY B/46	345666013	C-HSG-B0	G-CAP-0-P	TPA-B0	RS	LS	MAL	CPA	MSEAL	RSEAL	72	71	70	-	68	-	66	-	64	63	62	-	-	-	-	56	55	-	-									
											52	-	-	-	-	-	-	44	-	42	41	-	-	38	-	36	35	-	-									
											-												-	-	-	-	28	27	-	25	-	-	-	-	19	-	17	
											-												-	-	-	-	12	11	-	-	-	-	-	-	3	2	1	
MX123 CONN ASSY 73 CKT BLK OPT0 KEY A/56	345666023	C-HSG-A0	G-CAP-0-P	TPA-A0	RS	LS	MAL	CPA	MSEAL	RSEAL	-	-	-	-	-	-	66	65	64	63	62	61	-	-	-	-	55	-	-									
											-	-	-	-	-	-	46	-	-	-	42	41	-	-	-	-	-	-	-									
											-												-	-	-	-	27	26	25	-	-	-	-	-	18	-		
											-												-	-	14	-	-	-	-	9	8	-	-	-	-	-	-	
MX123 CONN ASSY 73 CKT BLK OPT0 KEY A/39	345666033	C-HSG-A0	G-CAP-0-P	TPA-A0	RS	LS	MAL	CPA	MSEAL	RSEAL	72	71	-	-	68	67	66	65	64	-	-	-	60	59	-	-	-	-	-									
											-	-	50	-	48	47	46	45	-	-	-	-	40	39	38	-	-	35	-	33								
											-												-	31	30	-	-	-	25	24	23	22	-	20	-	-	17	
											-												-	-	14	-	-	-	-	9	-	7	6	-	4	-	2	1
MX123 CONN ASSY 73 CKT GRY OPT0 KEY B/23	345666043	C-HSG-B0	G-CAP-0-P	TPA-B0	RS	LS	MAL	CPA	MSEAL	RSEAL	72	71	70	69	-	-	-	-	63	62	61	60	59	-	57	56	-	54	53									
											52	51	50	49	48	47	-	-	44	43	42	41	40	39	-	37	36	-	34	33								
											-												-	31	-	-	-	26	25	24	23	-	21	20	-	18	-	
											-												-	15	14	13	12	11	-	9	8	7	6	5	4	3	2	-
MX123 CONN ASSY 73 CKT GRY OPT0 KEY B/20	345666053	C-HSG-B0	G-CAP-0-P	TPA-B0	RS	LS	MAL	CPA	MSEAL	RSEAL	-	71	70	69	68	67	66	65	64	63	-	-	60	59	58	57	56	55	54	53								
											-	51	50	49	-	-	-	45	44	-	42	-	-	39	38	37	36	35	34	33								
											-												32	31	-	29	28	27	26	25	24	23	22	21	-	-	-	17
											-												-	-	-	13	12	11	10	9	8	7	6	5	-	3	-	1
MX123 CONN ASSY 73 CKT BLU OPT0 KEY C/37	345666063	C-HSG-C0	G-CAP-0-P	TPA-C0	RS	LS	MAL	CPA	MSEAL	RSEAL	72	71	70	-	68	-	-	65	-	63	-	61	-	59	58	-	56	-	-	53								
											-	-	-	49	-	47	-	-	-	43	-	41	40	39	38	-	36	-	-	-								
											-												-	31	30	29	-	-	25	24	23	22	21	20	-	-	-	
											-												-	-	-	-	-	-	-	8	7	6	5	4	3	2	1	

ASSEMBLY DESCRIPTION	ASSEMBLY PART NUMBER	CONNECTOR HOUSING	GROMMET CAP	TPA	RIGHT SLIDE	LEFT SLIDE	MATE ASSIST LEVER	CPA	MAT SEAL	RING SEAL	BLOCKED TERMINALS																				STATUS	COMMENTS	INTEGRAL COMPONENTS SOLD SEPARATELY		
											CAVITY WITH A NUMBER INDICATES BLOCKED TERMINAL POSITION																						DRESS COVER		
											CAVITY WITHOUT A NUMBER INDICATES OPEN TERMINAL POSITION																								
MX123 CONN ASSY 73 CKT BLU OPT0 KEY C/35	345666073	C-HSG-C0	G-CAP-0-P	TPA-C0	RS	LS	MAL	CPA	MSEAL	RSEAL	72	71	70	-	68	-	-	65	-	63	62	-	-	59	58	-	56	55	-	53	SALEABLE		345650003		
											-	-	-	-	-	-	47	-	-	-	43	42	-	40	39	38	-	36	35	-				-	
																					-	31	30	29	-	-	26	-	24	23				22	21
MX123 CONN ASSY 73 CKT BLU OPT0 KEY C/38	345666083	C-HSG-C0	G-CAP-0-P	TPA-C0	RS	LS	MAL	CPA	MSEAL	RSEAL	-	71	-	69	-	-	-	65	64	-	-	61	60	-	58	-	56	55	54	-	SALEABLE		345650003		
											-	-	50	49	-	-	-	45	-	43	-	41	-	-	38	-	-	35	-	-					
																					-	31	-	29	28	27	-	-	24	23				-	-
MX123 CONN ASSY 73 CKT GRY OPT0 KEY B/22	345666093	C-HSG-B0	G-CAP-0-P	TPA-B0	RS	LS	MAL	CPA	MSEAL	RSEAL	-	71	-	69	68	-	66	65	64	-	-	-	-	58	57	56	55	54	53	SALEABLE		345650003			
											-	51	50	49	48	47	-	45	44	-	42	-	-	39	38	37	36	35	34				33		
																					32	31	30	29	28	-	26	25	24				23	22	21
MX123 CONN ASSY 73 CKT GRY OPT0 KEY B/51	345666103	C-HSG-B0	G-CAP-0-P	TPA-B0	RS	LS	MAL	CPA	MSEAL	RSEAL	72	71	70	69	68	-	-	-	64	63	-	61	60	-	58	-	56	-	54	-	SALEABLE		345650003		
											52	51	50	-	-	-	46	45	44	43	-	41	40	-	38	-	36	-	34	-					
																					32	31	30	-	28	27	-	25	24	-				22	-
MX123 CONN ASSY 73 CKT BLK OPT0 KEY A/66	345666113	C-HSG-A0	G-CAP-0-P	TPA-A0	RS	LS	MAL	CPA	MSEAL	RSEAL	-	-	-	-	-	67	-	-	-	-	-	-	-	59	-	-	-	-	-	SALEABLE		345650003			
											-	-	-	-	-	47	-	-	-	-	-	-	-	-	-	-	-	35	-				-		
																					-	-	-	-	-	-	-	-	24				-	-	-
MX123 CONN ASSY 73 CKT BLU OPT0 KEY C/33	345666123	C-HSG-C0	G-CAP-0-P	TPA-C0	RS	LS	MAL	CPA	MSEAL	RSEAL	72	71	70	-	68	-	-	65	-	63	-	61	-	59	58	-	56	55	-	53	SALEABLE		345650003		
											-	-	-	49	-	47	-	-	-	43	-	41	40	39	38	-	36	35	-	-					
																					32	31	30	29	-	-	25	24	23	22				21	20
MX123 CONN ASSY 73 CKT BLU OPT9 KEY C/38	345666133	C-HSG-C9	G-CAP-9-P	TPA-C9	RS	LS	MAL	CPA	MSEAL	RSEAL	-	71	-	69	-	-	66	65	64	-	-	61	60	-	58	-	56	55	54	-	SALEABLE		345650003		
											-	-	50	49	-	-	46	45	-	43	-	41	-	-	-	-	35	-	-						
																					-	31	-	29	28	27	-	-	-	23				-	-
MX123 CONN ASSY 73 CKT GRY OPT9 KEY B/33	345666173	C-HSG-B9	G-CAP-9-P	TPA-B9	RS	LS	MAL	CPA	MSEAL	RSEAL	72	71	70	69	68	-	-	65	64	63	62	61	60	59	58	57	56	55	54	53	SALEABLE		345650003		
											52	51	50	49	-	-	46	45	44	43	42	-	40	39	38	37	36	35	34	33					
																					-	-	-	-	28	-	-	-	-	23				-	-
MX123 CONN ASSY 73 CKT BLK OPT9 KEY A/32	345666183	C-HSG-A9	G-CAP-9-P	TPA-A9	RS	LS	MAL	CPA	MSEAL	RSEAL	72	71	70	69	68	67	-	65	64	63	62	61	60	59	58	57	56	55	54	53	SALEABLE		345650003		
											52	51	50	49	-	-	46	45	44	43	42	-	40	39	38	37	36	35	34	33					
																					-	-	-	-	28	-	-	-	-	23				-	-
MX123 CONN ASSY 73 CKT GRY OPT9 KEY B/57	345666193	C-HSG-B9	G-CAP-9-P	TPA-B9	RS	LS	MAL	CPA	MSEAL	RSEAL	-	-	-	-	-	-	-	-	-	63	-	-	-	-	-	-	-	-	53	SALEABLE		345650003			
											-	-	-	-	48	47	-	45	-	43	42	-	-	39	-	-	-	35	34				33		
																					-	-	-	-	-	-	-	-	23				22	-	-
MX123 CONN ASSY 73 CKT BLK OPT0 KEY A/33	345666203	C-HSG-A0	G-CAP-0-P	TPA-A0	RS	LS	MAL	CPA	MSEAL	RSEAL	72	-	-	-	-	67	66	-	-	-	62	-	60	-	58	-	-	55	54	53	SALEABLE		345650003		
											-	-	-	-	48	-	46	45	44	43	42	-	40	39	-	-	-	35	-	-					
																					-	-	-	-	-	26	25	-	-	22				21	-
MX123 CONN ASSY 73 CKT BLK OPT9 KEY A/33	345666213	C-HSG-A9	G-CAP-9-P	TPA-A9	RS	LS	MAL	CPA	MSEAL	RSEAL	72	71	70	69	68	-	-	65	64	63	62	61	60	59	58	57	56	55	54	53	SALEABLE		345650003		
											52	51	50	49	-	-	46	45	44	43	42	-	40	39	38	37	36	35	34	33					
																					-	-	-	-	28	-	-	-	-	23				-	-

ASSEMBLY DESCRIPTION	ASSEMBLY PART NUMBER	CONNECTOR HOUSING	GROMMET CAP	TPA	RIGHT SLIDE	LEFT SLIDE	MATE ASSIST LEVER	CPA	MAT SEAL	RING SEAL	BLOCKED TERMINALS																		STATUS	COMMENTS	INTEGRAL COMPONENTS SOLD SEPARATELY						
											CAVITY WITH A NUMBER INDICATES BLOCKED TERMINAL POSITION																				DRESS COVER						
											CAVITY WITHOUT A NUMBER INDICATES OPEN TERMINAL POSITION																										
MX123 CONN ASSY 73 CKT BLU OPT9 KEY C/36	345666223	C-HSG-C9	G-CAP-9-P	TPA-C9	RS	LS	MAL	CPA	MSEAL	RSEAL	-	71	-	69	-	67	-	65	64	-	-	61	60	-	58	-	56	55	54	-							
											-	-	50	49	-	-	-	45	-	43	42	41	-	-	38	37	36	35	-	-							
																						-	31	-	29	28	-	-	-	24	23	-	-	-	19	18	17
																						16	-	-	-	12	11	-	-	8	7	-	-	-	3	2	1
MX123 CONN ASSY 73 CKT GRY OPT9 KEY B/34	345666233	C-HSG-B9	G-CAP-9-P	TPA-B9	RS	LS	MAL	CPA	MSEAL	RSEAL	-	71	-	69	-	67	-	65	64	63	62	61	-	-	58	57	56	-	-	-							
											-	51	-	49	-	47	-	45	44	43	42	41	-	-	38	37	36	-	-	-							
																						-	-	-	-	-	-	-	-	23	22	21	20	19	18	-	
																						-	15	14	13	12	11	-	9	-	7	6	5	4	3	-	-
MX123 CONN ASSY 73 CKT BLK OPT9 KEY A/39	345666243	C-HSG-A9	G-CAP-9-P	TPA-A9	RS	LS	MAL	CPA	MSEAL	RSEAL	72	-	-	-	68	67	66	65	-	-	62	61	-	-	-	-	-	-	-								
											-	-	-	-	48	47	46	-	-	-	-	-	40	-	38	-	-	35	-	33							
																						-	31	-	29	-	27	-	25	24	23	22	21	20	-	-	17
																						-	-	-	13	-	11	-	9	8	7	6	5	4	-	2	1
MX123 CONN ASSY 73 CKT BLU OPT9 KEY C/43	345666253	C-HSG-C9	G-CAP-9-P	TPA-C9	RS	LS	MAL	CPA	MSEAL	RSEAL	-	71	-	69	-	-	-	65	64	-	-	61	60	-	58	-	56	55	54	-							
											-	-	50	-	-	-	-	45	-	43	42	41	-	-	38	-	-	35	-	-							
																						-	31	-	29	28	-	-	-	23	-	-	-	19	18	17	
																						16	-	-	-	12	11	-	-	7	-	-	-	3	-	1	
MX123 CONN ASSY 73 CKT GRY OPT9 KEY B/53	345666263	C-HSG-B9	G-CAP-9-P	TPA-B9	RS	LS	MAL	CPA	MSEAL	RSEAL	-	-	-	69	-	-	-	65	64	63	-	-	-	-	-	-	-	-	-								
											-	-	-	49	-	-	-	45	44	43	-	-	-	-	-	-	-	-	-	-							
																						-	-	-	-	-	-	-	-	23	22	21	20	19	-	-	
																						-	-	-	-	12	11	-	9	-	7	6	5	4	-	-	-
MX123 CONN ASSY 73 CKT GRY OPT9 KEY B/48	345666273	C-HSG-B9	G-CAP-9-P	TPA-B9	RS	LS	MAL	CPA	MSEAL	RSEAL	72	-	-	-	68	67	66	-	-	-	-	-	59	-	-	-	-	-	-								
											-	-	-	-	48	47	46	-	-	-	-	40	-	38	-	-	35	-	33								
																						-	31	-	-	-	-	25	-	23	22	21	20	-	-	17	
																						-	-	-	-	-	-	9	8	7	6	5	4	-	2	1	
MX123 CONN ASSY 73 CKT BLU OPT9 KEY C/35	345666283	C-HSG-C9	G-CAP-9-P	TPA-C9	RS	LS	MAL	CPA	MSEAL	RSEAL	-	71	-	69	-	-	-	65	64	-	-	61	60	-	58	-	56	55	54	-							
											-	-	50	49	-	-	-	45	-	43	42	41	-	-	38	37	36	35	-	-							
																						-	31	-	29	28	-	-	-	24	23	-	-	20	19	18	17
																						16	-	-	13	12	11	-	-	8	7	-	-	-	3	2	1
MX123 CONN ASSY 73 CKT GRY OPT9 KEY B/51	345666293	C-HSG-B9	G-CAP-9-P	TPA-B9	RS	LS	MAL	CPA	MSEAL	RSEAL	-	-	-	69	-	-	-	65	64	63	-	-	-	-	-	-	-	-	-								
											-	-	-	49	-	-	-	45	44	43	-	-	-	-	-	-	-	-	-	-							
																						-	-	-	-	-	-	-	-	23	22	21	20	19	18	-	
																						-	-	-	-	12	11	-	9	-	7	6	5	4	3	-	-
MX123 CONN ASSY 73 CKT BLK OPT0 KEY A/32	345666303	C-HSG-A0	G-CAP-0-P	TPA-A0	RS	LS	MAL	CPA	MSEAL	RSEAL	72	-	-	-	67	66	-	-	-	-	62	-	60	-	58	-	-	55	54	53							
											-	-	-	-	48	-	46	45	44	43	42	-	40	39	-	-	-	35	-	-							
																						-	-	-	-	-	26	25	-	-	22	21	-	-	-	17	
																						-	15	14	-	-	-	-	-	8	7	6	5	4	3	-	-
MX123 CONN ASSY 73 CKT GRY OPT9 KEY B/40	345666313	C-HSG-B9	G-CAP-9-P	TPA-B9	RS	LS	MAL	CPA	MSEAL	RSEAL	72	71	-	-	68	67	66	65	64	-	-	-	-	59	-	-	-	-	-	-							
											-	-	-	-	48	47	46	45	-	-	-	-	40	-	38	-	-	35	-	33							
																						-	31	30	-	-	-	25	24	23	22	21	20	-	-	17	
																						-	-	-	-	-	-	9	8	7	6	5	4	-	2	1	
MX123 CONN ASSY 73 CKT GRY OPT9 KEY B/39	345666323	C-HSG-B9	G-CAP-9-P	TPA-B9	RS	LS	MAL	CPA	MSEAL	RSEAL	72	-	-	-	68	67	66	65	-	-	62	61	-	-	-	-	-	-	-								
											-	-	-	-	48	47	46	-	-	-	-	40	-	38	-	-	35	-	33								
																						-	31	-	29	-	27	-	25	24	23	22	21	20	-	-	17
																						-	-	-	13	-	11	-	9	8	7	6	5	4	-	2	1
MX123 CONN ASSY 73 CKT BLU OPT9 KEY C/40	345666333	C-HSG-C9	G-CAP-9-P	TPA-C9	RS	LS	MAL	CPA	MSEAL	RSEAL	-	71	-	69	-	-	-	65	64	-	-	61	60	-	58	-	-	-	54	-							
											-	-	50	49	-	-	-	45	-	43	42	41	-	-	38	37	36	35	-	-							
																						-	31	-	29	28	-	-	-	24	23	-	-	20	-	-	17
																						16	-	-	13	12	11	-	-	8	7	-	-	-	-	2	1

ASSEMBLY DESCRIPTION	ASSEMBLY PART NUMBER	CONNECTOR HOUSING	GROMMET CAP	TPA	RIGHT SLIDE	LEFT SLIDE	MATE ASSIST LEVER	CPA	MAT SEAL	RING SEAL	BLOCKED TERMINALS																		STATUS	COMMENTS	INTEGRAL COMPONENTS SOLD SEPARATELY
											CAVITY WITH A NUMBER INDICATES BLOCKED TERMINAL POSITION CAVITY WITHOUT A NUMBER INDICATES OPEN TERMINAL POSITION																				DRESS COVER
MX123 CONN ASSY 73 CKT BLK OPT9 KEY A/44	345666343	C-HSG-A9	G-CAP-9-P	TPA-A9	FS	LS	MAL	CPA	MSEAL	RSEAL	72	71	-	-	68	67	66	65	64	-	-	-	-	59	-	-	-	-	-	-	-
											-	-	-	-	48	47	46	45	-	-	-	-	-	-	38	-	-	35	-	33	
MX123 CONN ASSY 73 CKT BLU OPT9 KEY C/43	345666353	C-HSG-C9	G-CAP-9-P	TPA-C9	FS	LS	MAL	CPA	MSEAL	RSEAL	-	71	-	69	-	67	-	65	64	-	-	61	60	-	-	-	-	-	54	-	
											-	-	50	49	-	-	-	45	-	43	42	41	-	-	38	37	36	35	-	-	
MX123 CONN ASSY 73 CKT GRY OPT9 KEY B/38	345666363	C-HSG-B9	G-CAP-9-P	TPA-B9	FS	LS	MAL	CPA	MSEAL	RSEAL	-	71	-	69	-	67	-	65	64	63	62	61	-	-	58	57	56	-	-	-	
											-	51	-	49	-	47	-	45	44	43	42	41	-	-	38	37	36	-	-	-	
MX123 CONN ASSY 73 CKT BLK OPT9 KEY A/50	345666373	C-HSG-A9	G-CAP-9-P	TPA-A9	FS	LS	MAL	CPA	MSEAL	RSEAL	-	-	-	-	68	-	66	65	-	-	62	61	-	-	-	-	-	-	-		
											-	-	-	-	48	-	46	-	-	-	-	-	-	38	-	-	35	-	33		
MX123 CONN ASSY 73 CKT BLK OPT9 KEY A/52	345666383	C-HSG-A9	G-CAP-9-P	TPA-A9	FS	LS	MAL	CPA	MSEAL	RSEAL	-	-	-	-	-	67	-	-	-	-	62	-	-	59	58	-	-	55	-	-	
											-	-	-	-	-	47	-	-	-	-	-	-	-	-	-	-	35	-	-		
MX123 CONN ASSY 73 CKT BLU OPT9 KEY C/47	345666393	C-HSG-C9	G-CAP-9-P	TPA-C9	FS	LS	MAL	CPA	MSEAL	RSEAL	72	-	-	-	68	-	-	-	-	63	-	-	-	59	-	-	56	-	-	53	
											-	-	-	-	-	-	-	-	-	43	-	-	40	39	-	-	36	-	-		
MX123 CONN ASSY 73 CKT BLK OPT0 KEY A/34	345666403	C-HSG-A0	G-CAP-0-P	TPA-A0	FS	LS	MAL	CPA	MSEAL	RSEAL	72	-	70	-	-	67	66	-	-	-	62	-	60	-	-	57	-	55	54	53	
											-	51	-	-	48	-	46	45	44	43	42	-	40	39	-	-	35	-	-		
MX123 CONN ASSY 73 CKT GRY OPT9 KEY B/35	345666413	C-HSG-B9	G-CAP-9-P	TPA-B9	FS	LS	MAL	CPA	MSEAL	RSEAL	-	71	70	69	-	-	66	65	64	-	-	-	-	58	57	56	-	54	53		
											-	51	50	49	-	-	-	45	-	-	42	-	-	39	-	-	-	-	34	33	
MX123 CONN ASSY 73 CKT BLU OPT9 KEY C/41	345666423	C-HSG-C9	G-CAP-9-P	TPA-C9	FS	LS	MAL	CPA	MSEAL	RSEAL	-	-	-	-	68	-	-	-	-	63	62	61	60	59	58	57	-	55	-	53	
											-	-	-	-	48	-	-	-	-	43	42	41	40	-	-	37	36	35	-	33	
MX123 CONN ASSY 73 CKT BLK OPT9 KEY A/36	345666433	C-HSG-A9	G-CAP-9-P	TPA-A9	FS	LS	MAL	CPA	MSEAL	RSEAL	-	71	-	69	68	-	66	65	64	-	-	62	61	-	-	-	-	54	53		
											-	-	50	49	-	-	-	45	44	-	-	41	-	-	-	-	-	-	34	33	
MX123 CONN ASSY 73 CKT GRY OPT9 KEY B/64	345666443	C-HSG-B9	G-CAP-9-P	TPA-B9	FS	LS	MAL	CPA	MSEAL	RSEAL	-	-	-	-	-	-	-	-	-	-	62	-	-	59	58	-	-	-	54	53	
											-	-	-	-	-	-	-	-	-	-	42	-	-	39	-	-	-	-	-	-	
MX123 CONN ASSY 73 CKT BLU OPT0 KEY C/43	345666453	C-HSG-C0	G-CAP-0-P	TPA-C0	FS	LS	MAL	CPA	MSEAL	RSEAL	72	-	-	-	68	-	66	-	-	63	-	-	-	59	58	-	56	55	-	53	
											-	-	-	-	-	-	-	-	-	43	-	-	40	39	38	-	36	35	-	-	

ASSEMBLY DESCRIPTION	ASSEMBLY PART NUMBER	CONNECTOR HOUSING	GROMMET CAP	TPA	RIGHT SLIDE	LEFT SLIDE	MATE ASSIST LEVER	CPA	MAT SEAL	RING SEAL	BLOCKED TERMINALS																				STATUS	COMMENTS	INTEGRAL COMPONENTS SOLD SEPARATELY
											CAVITY WITH A NUMBER INDICATES BLOCKED TERMINAL POSITION																						DRESS COVER
											CAVITY WITHOUT A NUMBER INDICATES OPEN TERMINAL POSITION																						
MX123 CONN ASSY 73 CKT GRY OPT0 KEY B/23	345666463	C-HSG-B0	G-CAP-0-P	TPA-B0	RS	LS	MAL	CPA	MSEAL	RSEAL	-	71	70	69	-	-	66	65	64	63	-	-	60	59	58	57	56	-	54	53			
											-	51	50	49	-	-	-	45	44	-	42	41	-	39	38	37	36	35	34	33			
															32	31	-	29	28	27	26	25	24	23	22	21	-	-	-	17			
															-	-	-	13	12	11	10	9	-	7	6	5	-	3	-	1			
MX123 CONN ASSY 73 CKT BLU OPT9 KEY C/40	345666473	C-HSG-C9	G-CAP-9-P	TPA-C9	RS	LS	MAL	CPA	MSEAL	RSEAL	72	71	-	-	68	-	-	65	-	63	-	61	-	59	58	-	56	-	-	53			
											-	-	-	49	-	47	-	-	-	43	-	41	40	39	38	-	36	-	-	-			
															-	31	30	29	-	-	-	25	24	23	22	21	20	-	-	-			
															-	-	-	-	-	-	-	-	-	-	6	5	4	3	2	1			
MX123 CONN ASSY 73 CKT BLK OPT9 KEY A/52	345666483	C-HSG-A9	G-CAP-9-P	TPA-A9	RS	LS	MAL	CPA	MSEAL	RSEAL	-	-	-	-	-	67	-	-	-	-	62	-	-	59	58	-	-	55	-	-			
											-	-	-	-	-	47	-	-	-	-	42	41	-	-	-	-	-	35	-	-			
															-	-	-	-	-	27	-	-	24	-	-	-	-	19	18	17			
															16	-	-	-	-	11	10	-	8	-	-	-	4	3	-	1			
MX123 CONN ASSY 73 CKT GRY OPT9 KEY B/22	345666493	C-HSG-B9	G-CAP-9-P	TPA-B9	RS	LS	MAL	CPA	MSEAL	RSEAL	-	71	-	69	68	67	66	65	64	63	-	-	60	59	58	57	56	-	54	53			
											-	51	50	49	-	-	-	45	44	-	42	-	-	39	38	37	36	35	34	33			
															32	31	-	29	28	27	26	25	24	23	22	21	-	-	-	17			
															-	-	-	13	12	11	10	9	8	7	6	5	-	3	-	1			
MX123 CONN ASSY 73 CKT BLK OPT0 KEY A/33	345666503	C-HSG-A0	G-CAP-0-P	TPA-A0	RS	LS	MAL	CPA	MSEAL	RSEAL	72	-	70	-	-	67	66	-	-	-	62	-	60	-	-	57	-	55	54	53			
											-	51	-	-	48	-	46	45	44	43	42	-	40	39	-	-	-	35	-	-			
															-	-	-	-	-	-	26	25	-	-	22	21	-	-	-	-			
															-	15	14	-	-	-	-	-	8	7	6	5	4	3	-	-			
MX123 CONN ASSY 73 CKT GRY OPT0 KEY B/23	345666513	C-HSG-B0	G-CAP-0-P	TPA-B0	RS	LS	MAL	CPA	MSEAL	RSEAL	-	71	70	69	-	-	66	65	64	63	-	-	60	59	58	57	56	-	-	53			
											-	51	50	49	48	47	-	45	44	-	42	41	-	39	38	37	36	35	34	33			
															32	31	30	29	28	27	26	25	24	23	22	21	-	-	-	-			
															-	-	-	13	12	11	10	9	-	7	6	5	-	-	-	1			
MX123 CONN ASSY 73 CKT GRY OPT0 KEY B/25	345666523	C-HSG-B0	G-CAP-0-P	TPA-B0	RS	LS	MAL	CPA	MSEAL	RSEAL	72	71	70	69	-	-	66	65	-	63	62	61	60	-	-	57	56	55	-	53			
											52	51	50	49	48	47	-	-	44	43	42	41	40	-	-	37	36	35	34	33			
															-	31	-	-	-	-	26	25	24	-	-	21	20	19	18	-			
															16	-	14	-	12	-	-	9	8	7	-	5	4	3	2	-			
MX123 CONN ASSY 73 CKT GRY OPT9 KEY B/15	345666533	C-HSG-B9	G-CAP-9-P	TPA-B9	RS	LS	MAL	CPA	MSEAL	RSEAL	72	71	70	69	-	-	66	65	-	63	62	61	60	59	58	57	56	55	54	53			
											52	51	50	49	48	47	-	-	44	43	42	41	40	39	38	37	36	35	34	33			
															-	31	-	-	-	-	26	25	24	23	22	21	20	19	18	-			
															16	15	14	13	12	11	-	9	8	-	6	5	4	3	2	-			
MX123 CONN ASSY 73 CKT BLK OPT9 KEY A/53	345666543	C-HSG-A9	G-CAP-9-P	TPA-A9	RS	LS	MAL	CPA	MSEAL	RSEAL	-	-	-	-	-	67	-	-	-	-	62	-	-	59	58	-	-	55	-	-			
											-	-	-	-	-	47	-	-	-	-	42	41	-	-	-	-	-	35	-	-			
															-	-	-	-	-	27	-	-	24	-	-	-	-	19	18	17			
															16	-	-	-	-	11	10	-	8	-	-	-	-	3	-	1			
MX123 CONN ASSY 73 CKT BLK OPT9 KEY A/46	345666553	C-HSG-A9	G-CAP-9-P	TPA-A9	RS	LS	MAL	CPA	MSEAL	RSEAL	-	-	-	-	68	-	66	65	-	-	62	61	-	-	-	-	-	-	-				
											-	-	-	-	48	-	46	-	-	-	-	-	-	38	-	-	35	-	33				
															-	31	-	29	-	27	-	25	24	23	22	21	20	-	-	-			
															16	-	-	13	12	11	-	9	-	7	6	-	4	-	-	-			
MX123 CONN ASSY 73 CKT BLU OPT9 KEY C/41	345666563	C-HSG-C9	G-CAP-9-P	TPA-C9	RS	LS	MAL	CPA	MSEAL	RSEAL	-	71	-	69	-	67	-	65	64	-	-	61	60	-	-	-	56	55	54	-			
											-	-	50	49	-	-	-	45	-	43	42	41	-	-	38	37	36	35	-	-			
															-	31	-	29	28	-	-	-	24	-	-	-	-	19	18	-			
															16	-	-	-	12	11	-	-	8	-	-	-	-	3	2	-			
MX123 CONN ASSY 73 CKT BLK OPT9 KEY A/47	345666573	C-HSG-A9	G-CAP-9-P	TPA-A9	RS	LS	MAL	CPA	MSEAL	RSEAL	-	-	-	-	68	-	66	65	-	-	62	61	-	-	-	-	-	-	-				
											-	-	-	-	48	-	46	-	-	-	-	-	-	38	-	-	35	-	33				
															-	31	-	29	-	27	-	25	24	-	22	-	20	-	-	17			
															-	-	-	13	-	11	-	9	-	7	6	-	4	-	2	1			

ASSEMBLY DESCRIPTION	ASSEMBLY PART NUMBER	CONNECTOR HOUSING	GROMMET CAP	TPA	RIGHT SLIDE	LEFT SLIDE	MATE ASSIST LEVER	CPA	MAT SEAL	RING SEAL	BLOCKED TERMINALS																STATUS	COMMENTS	INTEGRAL COMPONENTS SOLD SEPARATELY		
											CAVITY WITH A NUMBER INDICATES BLOCKED TERMINAL POSITION																		DRESS COVER		
											CAVITY WITHOUT A NUMBER INDICATES OPEN TERMINAL POSITION																				
MX123 CONN ASSY 73 CKT BLK OPT9 KEY A/41	345666583	C-HSG-A9	G-CAP-9-P	TPA-A9	RS	LS	MAL	CPA	MSEAL	RSEAL	72	71	-	-	68	67	66	65	64	-	-	-	-	59	-	-	-	-	-	-	
											-	-	-	-	48	47	46	45	-	-	-	-	-	-	38	-	-	35	-	33	
											-																-	-	-	-	25
MX123 CONN ASSY 73 CKT BLU OPT0 KEY C/37	345666593	C-HSG-C0	G-CAP-0-P	TPA-C0	RS	LS	MAL	CPA	MSEAL	RSEAL	72	71	70	-	68	-	66	65	-	63	-	61	-	59	58	-	56	-	-	53	
											-	-	-	49	-	47	-	-	-	43	-	41	40	39	38	-	36	-	-	-	
											-																-	-	-	-	25
MX123 CONN ASSY 73 CKT BLK OPT0 KEY A/50	345666613	C-HSG-A0	G-CAP-0-P	TPA-A0	RS	LS	MAL	CPA	MSEAL	RSEAL	-	-	-	-	68	67	-	65	-	-	62	-	-	59	58	-	-	55	-	-	
											-	-	-	-	48	47	-	-	-	-	42	41	-	-	-	-	-	35	-	-	
											-																-	-	-	-	27
MX123 CONN ASSY 73 CKT GRY OPT9 KEY B/25	345666623	C-HSG-B9	G-CAP-9-P	TPA-B9	RS	LS	MAL	CPA	MSEAL	RSEAL	72	71	70	69	-	-	66	65	-	63	62	61	60	-	-	57	56	55	-	53	
											52	51	50	49	48	47	-	-	44	43	42	41	40	-	-	37	36	35	34	33	
											-																-	31	-	-	-
MX123 CONN ASSY 73 CKT BLU OPT9 KEY C/33	345666633	C-HSG-C9	G-CAP-9-P	TPA-C9	RS	LS	MAL	CPA	MSEAL	RSEAL	72	71	70	-	68	-	-	65	-	63	-	61	-	59	58	-	56	55	-	53	
											-	-	-	49	-	47	-	-	-	43	-	41	40	39	38	-	36	35	-	-	
											-																32	31	30	29	-
MX123 CONN ASSY 73 CKT BLU OPT9 KEY C/37	345666643	C-HSG-C9	G-CAP-9-P	TPA-C9	RS	LS	MAL	CPA	MSEAL	RSEAL	72	-	70	69	-	-	66	-	-	-	62	-	-	59	-	-	56	55	-	53	
											-	-	-	49	-	47	46	-	44	-	42	-	40	39	-	-	36	35	-	-	
											-																32	31	30	29	-
MX123 CONN ASSY 73 CKT GRY OPT9 KEY B/30	345666653	C-HSG-B9	G-CAP-9-P	TPA-B9	RS	LS	MAL	CPA	MSEAL	RSEAL	-	71	70	69	-	67	66	65	64	63	-	-	-	-	58	57	56	-	54	53	
											-	51	50	49	-	-	-	45	-	-	42	-	-	39	-	-	-	-	34	33	
											-																32	31	-	29	28
MX123 CONN ASSY 73 CKT BLK OPT9 KEY A/51	345666663	C-HSG-A9	G-CAP-9-P	TPA-A9	RS	LS	MAL	CPA	MSEAL	RSEAL	-	-	-	-	-	67	-	-	-	-	62	61	-	59	58	-	-	55	-	53	
											-	-	-	-	-	47	-	-	-	-	-	41	-	-	-	-	-	35	-	33	
											-																-	-	-	-	-
MX123 CONN ASSY 73 CKT GRY OPT9 KEY B/65	345666673	C-HSG-B9	G-CAP-9-P	TPA-B9	RS	LS	MAL	CPA	MSEAL	RSEAL	-	-	-	-	-	-	-	-	-	-	62	-	-	-	58	-	-	-	54	53	
											-	-	-	-	-	-	-	-	-	-	42	-	-	-	-	-	-	-	-	-	
											-																-	-	-	-	-
MX123 CONN ASSY 73 CKT BLK OPT9 KEY A/37	345666683	C-HSG-A9	G-CAP-9-P	TPA-A9	RS	LS	MAL	CPA	MSEAL	RSEAL	-	71	-	69	68	-	66	65	64	-	62	61	-	-	-	-	56	55	54	53	
											-	51	50	49	-	-	-	45	44	-	-	41	-	-	-	-	36	35	34	33	
											-																-	-	-	-	-
MX123 CONN ASSY 73 CKT BLU OPT9 KEY C/43	345666693	C-HSG-C9	G-CAP-9-P	TPA-C9	RS	LS	MAL	CPA	MSEAL	RSEAL	-	-	-	-	68	-	-	-	-	63	62	61	60	59	58	57	-	55	-	53	
											-	-	-	-	48	-	-	-	-	43	42	41	40	-	-	37	36	35	-	33	
											-																32	-	-	-	-
MX123 CONN ASSY 73 CKT BLK OPT9 KEY A/54	345666713	C-HSG-A9	G-CAP-9-P	TPA-A9	RS	LS	MAL	CPA	MSEAL	RSEAL	-	-	-	-	-	67	-	-	-	-	62	-	-	59	58	-	-	55	-	-	
											-	-	-	-	-	47	-	-	-	-	-	-	-	-	-	-	-	35	-	-	
											-																-	-	-	-	-

ASSEMBLY DESCRIPTION	ASSEMBLY PART NUMBER	CONNECTOR HOUSING	GROMMET CAP	TPA	RIGHT SLIDE	LEFT SLIDE	MATE ASSIST LEVER	CPA	MAT SEAL	RING SEAL	BLOCKED TERMINALS																				STATUS	COMMENTS	INTEGRAL COMPONENTS SOLD SEPARATELY	
											CAVITY WITH A NUMBER INDICATES BLOCKED TERMINAL POSITION																						DRESS COVER	
											CAVITY WITHOUT A NUMBER INDICATES OPEN TERMINAL POSITION																							
MX123 CONN ASSY 73 CKT BLU OPT9 KEY C/35	345666743	C-HSG-C9	G-CAP-9-P	TPA-C9	RS	LS	MAL	CPA	MSEAL	RSEAL	72	-	70	-	-	-	66	-	-	-	62	-	-	59	58	-	56	55	54	53	SALEABLE		345650003	
											-	-	-	49	-	47	-	-	44	-	42	-	40	39	38	-	36	35	-	-				
															32	31	30	29	-	-	26	-	24	23	22	21	20	19	18	17				
MX123 CONN ASSY 73 CKT BLK OPT9 KEY A/49	345666753	C-HSG-A9	G-CAP-9-P	TPA-A9	RS	LS	MAL	CPA	MSEAL	RSEAL	-	-	-	-	-	67	-	-	-	63	62	-	-	59	58	-	-	55	-	-	SALEABLE		345650003	
											-	-	-	-	-	47	-	-	-	-	41	-	-	-	-	-	35	-	-					
															32	-	-	-	-	27	26	25	24	-	-	-	-	19	18	17				
MX123 CONN ASSY 73 CKT GRY OPT9 KEY B/26	345666763	C-HSG-B9	G-CAP-9-P	TPA-B9	RS	LS	MAL	CPA	MSEAL	RSEAL	-	71	70	69	-	67	66	65	64	63	-	-	60	59	58	57	56	-	54	53	SALEABLE		345650003	
											-	51	-	-	-	48	47	-	-	44	-	42	41	-	39	38	37	36	35	-				33
															32	31	30	-	28	27	26	25	24	23	-	-	-	-	-	17				
MX123 CONN ASSY 73 CKT BLU OPT0 KEY C/40	345666773	C-HSG-C0	G-CAP-0-P	TPA-C0	RS	LS	MAL	CPA	MSEAL	RSEAL	-	71	-	69	-	67	-	65	64	-	-	61	60	-	-	-	56	55	54	-	SALEABLE		345650003	
											-	-	50	-	-	-	-	45	-	43	-	41	-	-	38	37	36	35	-	-				
															-	31	-	29	28	27	-	-	24	23	-	-	20	-	-	-				
MX123 CONN ASSY 73 CKT GRY OPT0 KEY B/37	345666783	C-HSG-B0	G-CAP-0-P	TPA-B0	RS	LS	MAL	CPA	MSEAL	RSEAL	-	71	-	69	-	67	-	65	64	63	62	61	-	-	58	57	56	-	-	-	SALEABLE		345650003	
											-	51	-	49	-	47	-	45	44	-	42	41	-	-	38	37	36	-	-	-				
															-	-	-	-	-	-	-	-	-	22	21	20	19	18	-					
MX123 CONN ASSY 73 CKT GRY OPT0 KEY B/42	345666793	C-HSG-B0	G-CAP-0-P	TPA-B0	RS	LS	MAL	CPA	MSEAL	RSEAL	-	71	-	69	-	67	-	65	-	-	62	61	-	-	58	57	56	-	-	-	SALEABLE		345650003	
											-	51	-	49	-	47	-	45	44	-	42	41	-	-	38	37	36	-	-	-				
															-	-	-	-	-	-	-	-	-	22	21	-	19	18	-					
MX123 CONN ASSY 73 CKT GRY OPT0 KEY B/55	345666803	C-HSG-B0	G-CAP-0-P	TPA-B0	RS	LS	MAL	CPA	MSEAL	RSEAL	72	71	70	69	68	67	66	-	64	63	62	61	60	-	58	-	56	-	54	-	SALEABLE		345650003	
											52	51	50	-	-	47	-	45	-	43	42	41	40	-	38	-	36	-	34	-				
															32	31	30	-	-	27	26	25	24	-	22	-	20	19	18	17				
MX123 CONN ASSY 73 CKT BLK OPT9 KEY A/55	345666813	C-HSG-A9	G-CAP-9-P	TPA-A9	RS	LS	MAL	CPA	MSEAL	RSEAL	72	-	-	-	-	-	66	-	-	-	-	-	-	59	-	-	-	-	-	SALEABLE		345650003		
											-	-	-	-	-	-	46	-	-	-	-	-	-	38	-	-	35	-	33					
															-	31	-	-	-	-	-	-	-	23	22	-	20	19	-				17	
MX123 CONN ASSY 73 CKT BLU OPT9 KEY C/45	345666823	C-HSG-C9	G-CAP-9-P	TPA-C9	RS	LS	MAL	CPA	MSEAL	RSEAL	-	71	-	69	-	-	-	65	64	-	-	61	60	-	58	-	56	55	54	-	SALEABLE		345650003	
											-	-	50	-	-	-	-	45	-	43	42	-	-	38	-	-	-	-	-					
															-	31	-	29	28	-	-	-	23	-	-	19	18	17						
MX123 CONN ASSY 73 CKT BLK OPT0 KEY A/36	345666833	C-HSG-A0	G-CAP-0-P	TPA-A0	RS	LS	MAL	CPA	MSEAL	RSEAL	72	71	-	-	68	67	66	65	64	-	62	61	-	-	-	-	-	-	SALEABLE		345650003			
											-	-	50	-	-	-	46	45	-	-	-	-	39	38	-	-	35	-				-		
															-	31	30	29	-	27	-	25	24	23	22	21	20	-				-	17	
MX123 CONN ASSY 73 CKT BLK OPT0 KEY A/54	345666843	C-HSG-A0	G-CAP-0-P	TPA-A0	RS	LS	MAL	CPA	MSEAL	RSEAL	-	-	-	-	-	67	-	-	-	-	62	-	-	59	58	-	-	55	-	-	SALEABLE		345650003	
											-	-	-	-	-	47	-	-	-	-	42	41	-	-	-	-	35	-	-					
															-	-	-	-	-	27	-	24	-	-	-	19	18	-						
MX123 CONN ASSY 73 CKT BLU OPT0 KEY C/43	345666853	C-HSG-C0	G-CAP-0-P	TPA-C0	RS	LS	MAL	CPA	MSEAL	RSEAL	72	71	70	-	68	-	-	65	-	63	-	-	-	59	58	-	56	-	-	53	SALEABLE		345650003	
											-	-	-	-	-	47	-	-	-	43	-	-	40	39	38	-	36	-	-					
															-	31	30	29	-	-	-	-	24	23	22	21	20	-	-	-				

ASSEMBLY DESCRIPTION	ASSEMBLY PART NUMBER	CONNECTOR HOUSING	GROMMET CAP	TPA	RIGHT SLIDE	LEFT SLIDE	MATE ASSIST LEVER	CPA	MAT SEAL	RING SEAL	BLOCKED TERMINALS																			STATUS	COMMENTS	INTEGRAL COMPONENTS SOLD SEPARATELY	
											CAVITY WITH A NUMBER INDICATES BLOCKED TERMINAL POSITION																					DRESS COVER	
											CAVITY WITHOUT A NUMBER INDICATES OPEN TERMINAL POSITION																						
MX123 CONN ASSY 73 CKT BLU OPT0 KEY C/36	345666983	C-HSG-C0	G-CAP-0-P	TPA-C0	RS	LS	MAL	CPA	MSEAL	RSEAL	72	-	70	-	68	-	66	-	-	63	-	61	-	59	58	-	56	55	-	53	SALEABLE		345650003
											-	-	-	49	-	-	-	-	-	43	-	41	40	39	38	-	36	35	-	-			
															32	31	30	29	-	-	-	25	24	23	22	21	20	19	-	17			
MX123 CONN ASSY 73 CKT GRY OPT0 KEY B/43	345667003	C-HSG-B0	G-CAP-0-P	TPA-B0	RS	LS	MAL	CPA	MSEAL	RSEAL	72	71	70	69	68	-	-	65	64	63	62	61	60	-	58	-	-	-	54	-	SALEABLE		345650003
											52	51	-	-	-	-	46	45	44	43	42	41	40	-	38	-	-	-	34	-			
															32	31	30	-	28	27	26	25	24	-	22	-	20	19	-	-			
MX123 CONN ASSY 73 CKT BLK OPT9 KEY A/44	345667013	C-HSG-A9	G-CAP-9-P	TPA-A9	RS	LS	MAL	CPA	MSEAL	RSEAL	72	-	-	-	68	67	66	65	-	-	-	-	-	-	-	-	-	-	-	SALEABLE		345650003	
											-	-	-	-	48	47	46	-	-	-	-	-	40	-	38	-	-	35	-				33
															-	31	30	-	-	-	-	25	24	23	22	21	20	-	-				17
MX123 CONN ASSY 73 CKT BLK OPT0 KEY A/51	345667023	C-HSG-A0	G-CAP-0-P	TPA-A0	RS	LS	MAL	CPA	MSEAL	RSEAL	-	-	-	-	-	67	-	-	-	63	62	-	-	59	58	-	-	55	-	-	SALEABLE		345650003
											-	-	-	-	-	47	-	-	-	42	41	-	-	-	-	-	35	-	-				
															32	-	-	-	-	27	-	-	24	-	-	-	-	19	18	17			
MX123 CONN ASSY 73 CKT BLK OPT0 KEY A/41	345667033	C-HSG-A0	G-CAP-0-P	TPA-A0	RS	LS	MAL	CPA	MSEAL	RSEAL	72	71	-	-	68	67	66	-	64	-	-	-	-	59	-	-	-	-	-	SALEABLE		345650003	
											-	-	50	-	48	47	46	45	-	-	-	-	40	39	38	-	-	35	-				33
															-	31	30	-	-	-	-	25	24	23	22	-	20	-	-				17
MX123 CONN ASSY 73 CKT GRY OPT0 KEY B/24	345667043	C-HSG-B0	G-CAP-0-P	TPA-B0	RS	LS	MAL	CPA	MSEAL	RSEAL	-	71	70	69	-	-	66	65	64	-	-	-	-	-	58	57	56	-	54	53	SALEABLE		345650003
											-	51	50	49	48	47	-	45	44	-	42	-	-	39	38	37	36	35	34	33			
															32	31	30	29	28	-	26	25	24	23	22	21	-	-	-	17			
MX123 CONN ASSY 73 CKT BLU OPT0 KEY C/39	345667053	C-HSG-C0	G-CAP-0-P	TPA-C0	RS	LS	MAL	CPA	MSEAL	RSEAL	72	-	70	-	68	-	66	-	-	63	-	-	-	59	58	-	56	55	-	53	SALEABLE		345650003
											-	-	-	-	-	-	-	-	-	43	-	-	40	39	38	-	36	35	-	-			
															32	31	30	29	-	-	-	-	24	23	22	21	20	19	18	17			
MX123 CONN ASSY 73 CKT BLU OPT0 KEY C/35	345667063	C-HSG-C0	G-CAP-0-P	TPA-C0	RS	LS	MAL	CPA	MSEAL	RSEAL	-	71	-	69	-	-	-	65	64	-	-	61	60	-	58	-	56	55	54	-	SALEABLE		345650003
											-	-	50	49	-	-	-	45	-	43	42	41	-	-	38	37	36	35	-	-			
															-	31	-	29	28	27	-	-	24	23	-	-	20	19	18	17			
MX123 CONN ASSY 73 CKT NAT OPT9 KEY F/17	345667073	C-HSG-F9	G-CAP-9-P	TPA-F9	RS	LS	MAL	CPA	MSEAL	RSEAL	72	71	70	-	-	67	66	65	64	63	62	61	60	59	-	-	56	55	54	53	SALEABLE		345650003
											52	51	50	49	48	47	46	45	44	-	-	41	40	39	-	-	36	35	34	-			
															32	31	-	29	28	27	26	25	24	23	22	21	20	-	-	-			
MX123 CONN ASSY 73 CKT GRY OPT9 KEY B/13	345667083	C-HSG-B9	G-CAP-9-P	TPA-B9	RS	LS	MAL	CPA	MSEAL	RSEAL	72	71	70	69	68	67	66	65	64	63	62	61	60	59	58	57	56	55	54	53	SALEABLE		345650003
											52	51	50	49	48	47	46	45	44	43	42	41	40	39	38	37	36	35	34	33			
															32	31	30	29	28	27	26	25	24	23	22	21	20	19	18	17			
MX123 CONN ASSY 73 CKT GRY OPT9 KEY B/49	345667093	C-HSG-B9	G-CAP-9-P	TPA-B9	RS	LS	MAL	CPA	MSEAL	RSEAL	-	-	-	-	-	-	-	-	-	-	62	61	60	-	58	57	56	55	54	-	SALEABLE		345650003
											-	-	-	-	-	-	-	-	-	-	-	-	-	-	-	-	-	-	-	-			
															-	-	-	-	-	-	-	-	-	-	22	21	20	19	18	-			
MX123 CONN ASSY 73 CKT BLK OPT0 KEY A/25	345667103	C-HSG-A0	G-CAP-0-P	TPA-A0	RS	LS	MAL	CPA	MSEAL	RSEAL	-	-	-	-	-	-	-	65	-	-	-	61	-	-	58	57	56	-	-	-	SALEABLE		345650003
											-	51	50	-	-	47	46	45	-	-	-	41	-	-	38	37	36	-	-	-			
															-	31	30	-	-	-	26	25	-	-	22	21	20	-	-	-			

ASSEMBLY DESCRIPTION	ASSEMBLY PART NUMBER	CONNECTOR HOUSING	GROMMET CAP	TPA	RIGHT SLIDE	LEFT SLIDE	MATE ASSIST LEVER	CPA	MAT SEAL	RING SEAL	BLOCKED TERMINALS																		STATUS	COMMENTS	INTEGRAL COMPONENTS SOLD SEPARATELY		
											CAVITY WITH A NUMBER INDICATES BLOCKED TERMINAL POSITION CAVITY WITHOUT A NUMBER INDICATES OPEN TERMINAL POSITION																				DRESS COVER		
											72	71	70	69	68	67	66	65	64	63	62	61	60	59	58	57	56	55			54	53	
MX123 CONN ASSY 73 CKT GRY OPT9 KEY B/8	345667133	C-HSG-B9	G-CAP-9-P	TPA-B9	RS	LS	MAL	CPA	MSEAL	RSEAL	72	71	70	69	68	67	66	65	64	63	62	61	60	59	58	57	56	55	54	53	SALEABLE		345650003
MX123 CONN ASSY 73 CKT BLK OPT0 KEY A/35	345667143	C-HSG-A0	G-CAP-0-P	TPA-A0	RS	LS	MAL	CPA	MSEAL	RSEAL	72	71	50	49	48	47	46	45	44	43	42	41	40	39	38	37	36	35	34	33	SALEABLE		345650003
MX123 CONN ASSY 73 CKT BLU OPT0 KEY C/45	345667153	C-HSG-C0	G-CAP-0-P	TPA-C0	RS	LS	MAL	CPA	MSEAL	RSEAL	71	70	69	68	67	66	65	64	63	62	61	60	59	58	57	56	55	54	53	SALEABLE		345650003	
MX123 CONN ASSY 73 CKT BLK OPT0 KEY A/45	345667163	C-HSG-A0	G-CAP-0-P	TPA-A0	RS	LS	MAL	CPA	MSEAL	RSEAL	71	70	69	68	67	66	65	64	63	62	61	60	59	58	57	56	55	54	53	SALEABLE		345650003	
MX123 CONN ASSY 73 CKT GRY OPT0 KEY B/23	345667173	C-HSG-B0	G-CAP-0-P	TPA-B0	RS	LS	MAL	CPA	MSEAL	RSEAL	72	71	70	69	68	67	66	65	64	63	62	61	60	59	58	57	56	55	54	53	SALEABLE		345650003
MX123 CONN ASSY 73 CKT GRY OPT0 KEY B/72	345667183	C-HSG-B0	G-CAP-0-P	TPA-B0	RS	LS	MAL	CPA	MSEAL	RSEAL	71	70	69	68	67	66	65	64	63	62	61	60	59	58	57	56	55	54	53	SALEABLE		345650003	
MX123 CONN ASSY 73 CKT BLK OPT0 KEY A/41	345667193	C-HSG-A0	G-CAP-0-P	TPA-A0	RS	LS	MAL	CPA	MSEAL	RSEAL	71	70	69	68	67	66	65	64	63	62	61	60	59	58	57	56	55	54	53	SALEABLE		345650003	
MX123 CONN ASSY 73 CKT GRY OPT0 KEY B/25	345667203	C-HSG-B0	G-CAP-0-P	TPA-B0	RS	LS	MAL	CPA	MSEAL	RSEAL	71	70	69	68	67	66	65	64	63	62	61	60	59	58	57	56	55	54	53	SALEABLE		345650003	
MX123 CONN ASSY 73 CKT BLK OPT0 KEY A/30	345667213	C-HSG-A0	G-CAP-0-P	TPA-A0	RS	LS	MAL	CPA	MSEAL	RSEAL	72	71	70	69	68	67	66	65	64	63	62	61	60	59	58	57	56	55	54	53	SALEABLE		345650003
MX123 CONN ASSY 73 CKT BLU OPT0 KEY C/41	345667223	C-HSG-C0	G-CAP-0-P	TPA-C0	RS	LS	MAL	CPA	MSEAL	RSEAL	71	70	69	68	67	66	65	64	63	62	61	60	59	58	57	56	55	54	53	SALEABLE		345650003	
MX123 CONN ASSY 73 CKT BLK OPT9 KEY A/29	345667233	C-HSG-A9	G-CAP-9-P	TPA-A9	RS	LS	MAL	CPA	MSEAL	RSEAL	71	70	69	68	67	66	65	64	63	62	61	60	59	58	57	56	55	54	53	SALEABLE		345650003	
MX123 CONN ASSY 73 CKT BLK OPT9 KEY A/33	345667243	C-HSG-A9	G-CAP-9-P	TPA-A9	RS	LS	MAL	CPA	MSEAL	RSEAL	71	70	69	68	67	66	65	64	63	62	61	60	59	58	57	56	55	54	53	SALEABLE		345650003	

ASSEMBLY DESCRIPTION	ASSEMBLY PART NUMBER	CONNECTOR HOUSING	GROMMET CAP	TPA	RIGHT SLIDE	LEFT SLIDE	MATE ASSIST LEVER	CPA	MAT SEAL	RING SEAL	BLOCKED TERMINALS																				STATUS	COMMENTS	INTEGRAL COMPONENTS SOLD SEPARATELY
											CAVITY WITH A NUMBER INDICATES BLOCKED TERMINAL POSITION																						DRESS COVER
											CAVITY WITHOUT A NUMBER INDICATES OPEN TERMINAL POSITION																						
MX123 CONN ASSY 73 CKT GRY OPT0 KEY B/19	345667253	C-HSG-B0	G-CAP-0-P	TPA-B0	RS	LS	MAL	CPA	MSEAL	RSEAL	-	71	70	69	68	67	66	65	64	63	-	-	60	59	58	57	56	55	54	53	SALEABLE		345650003
											-	51	50	49	-	-	-	45	-	-	42	-	-	39	38	37	36	35	34	33			
															32	31	-	29	28	27	26	25	24	23	22	21	-	-	-	17			
MX123 CONN ASSY 73 CKT BLU OPT0 KEY C/34	345667263	C-HSG-C0	G-CAP-0-P	TPA-C0	RS	LS	MAL	CPA	MSEAL	RSEAL	72	71	70	-	68	-	-	65	-	63	-	61	-	59	58	-	56	55	-	53	SALEABLE		345650003
											-	-	-	49	-	47	-	-	-	43	-	41	40	39	38	-	36	35	-	-			
															32	31	30	29	-	-	-	25	24	23	22	21	20	19	-	17			
MX123 CONN ASSY 73 CKT BLU OPT0 KEY C/39	345667273	C-HSG-C0	G-CAP-0-P	TPA-C0	RS	LS	MAL	CPA	MSEAL	RSEAL	72	71	70	-	68	-	-	65	-	63	-	61	-	59	58	-	56	-	-	53	SALEABLE		345650003
											-	-	-	49	-	47	-	-	-	43	-	41	40	39	38	-	36	-	-	-			
															32	31	30	29	-	-	-	25	24	23	22	21	20	-	-	-			
MX123 CONN ASSY 73 CKT BLU OPT0 KEY C/35	345667283	C-HSG-C0	G-CAP-0-P	TPA-C0	RS	LS	MAL	CPA	MSEAL	RSEAL	72	71	70	-	68	-	-	65	-	63	62	-	-	59	58	-	56	55	-	53	SALEABLE		345650003
											-	-	-	-	-	47	-	-	-	43	42	-	40	39	38	-	36	35	-	-			
															32	31	30	29	-	-	26	-	24	23	22	21	20	19	-	17			
MX123 CONN ASSY 73 CKT BLK OPT9 KEY A/49	345667293	C-HSG-A9	G-CAP-9-P	TPA-A9	RS	LS	MAL	CPA	MSEAL	RSEAL	-	-	-	-	-	-	-	-	-	-	62	61	60	-	58	57	56	55	54	-	SALEABLE		345650003
											-	-	-	-	-	-	-	-	-	-	42	41	40	-	38	37	36	35	-	-			
															-	-	-	-	-	-	-	-	-	-	22	21	20	19	18	-			
MX123 CONN ASSY 73 CKT GRY OPT0 KEY B/49	345667303	C-HSG-B0	G-CAP-0-P	TPA-B0	RS	LS	MAL	CPA	MSEAL	RSEAL	72	71	70	-	67	-	65	64	63	62	61	60	-	58	57	56	-	54	-	SALEABLE		345650003	
											52	51	50	-	47	-	45	-	43	42	41	40	-	38	-	36	-	34	-				
															32	31	30	-	-	27	26	25	24	-	22	-	20	19	-				-
MX123 CONN ASSY 73 CKT GRY OPT0 KEY B/22	345667313	C-HSG-B0	G-CAP-0-P	TPA-B0	RS	LS	MAL	CPA	MSEAL	RSEAL	-	71	70	69	68	-	66	65	64	63	-	-	60	59	58	57	56	-	54	53	SALEABLE		345650003
											-	51	50	49	-	-	-	45	44	-	42	41	-	39	38	37	36	35	34	33			
															32	31	-	29	28	27	26	25	24	23	-	-	-	-	-	17			
MX123 CONN ASSY 73 CKT GRY OPT9 KEY B/66	345667333	C-HSG-B9	G-CAP-9-P	TPA-B9	RS	LS	MAL	CPA	MSEAL	RSEAL	-	-	-	-	-	-	-	-	-	-	-	-	-	58	-	-	-	54	53	SALEABLE		345650003	
											-	-	-	-	-	-	-	-	-	-	42	-	-	-	-	-	-	-	-				-
															-	-	-	-	-	27	-	25	-	-	-	-	-	-	-				-
MX123 CONN ASSY 73 CKT GRY OPT9 KEY B/33	345667343	C-HSG-B9	G-CAP-9-P	TPA-B9	RS	LS	MAL	CPA	MSEAL	RSEAL	72	71	70	69	-	-	66	65	-	-	62	61	60	-	-	57	56	-	-	53	SALEABLE		345650003
											52	51	50	49	48	47	-	-	-	-	42	41	40	-	-	37	36	-	34	33			
															-	31	-	-	-	-	26	25	24	-	-	21	20	-	18	-			
MX123 CONN ASSY 73 CKT BLU OPT9 KEY C/40	345667353	C-HSG-C9	G-CAP-9-P	TPA-C9	RS	LS	MAL	CPA	MSEAL	RSEAL	72	71	70	-	68	-	-	65	-	63	-	61	-	59	58	-	56	-	-	53	SALEABLE		345650003
											-	-	-	49	-	-	-	-	-	43	-	41	40	39	38	-	36	-	-	-			
															-	31	30	29	-	-	-	25	24	23	22	21	20	-	-	-			
MX123 CONN ASSY 73 CKT GRY OPT0 KEY B/24	345667363	C-HSG-B0	G-CAP-0-P	TPA-B0	RS	LS	MAL	CPA	MSEAL	RSEAL	-	71	-	69	-	67	66	65	64	63	-	-	-	-	58	57	56	-	54	53	SALEABLE		345650003
											-	51	50	49	48	47	-	45	-	-	42	-	-	39	38	37	36	35	34	33			
															32	31	30	29	28	27	26	25	24	23	22	21	-	-	-	-			
MX123 CONN ASSY 73 CKT BLK OPT0 KEY A/52	345667373	C-HSG-A0	G-CAP-0-P	TPA-A0	RS	LS	MAL	CPA	MSEAL	RSEAL	-	-	-	-	-	67	-	-	-	63	62	-	-	59	58	-	-	55	-	-	SALEABLE		345650003
											-	-	-	-	-	47	-	-	-	-	41	-	-	-	-	-	35	-	-				
															32	-	-	-	-	27	-	-	24	-	-	-	-	19	18	17			
				16	-	-	-	-	11	10	-	8	-	-	-	-	3	-	1														

ASSEMBLY DESCRIPTION	ASSEMBLY PART NUMBER	CONNECTOR HOUSING	GROMMET CAP	TPA	RIGHT SLIDE	LEFT SLIDE	MATE ASSIST LEVER	CPA	MAT SEAL	RING SEAL	BLOCKED TERMINALS																				STATUS	COMMENTS	INTEGRAL COMPONENTS SOLD SEPARATELY
											CAVITY WITH A NUMBER INDICATES BLOCKED TERMINAL POSITION																						DRESS COVER
											CAVITY WITHOUT A NUMBER INDICATES OPEN TERMINAL POSITION																						
MX123 CONN ASSY 73 CKT BLU OPT0 KEY C/38	345667383	C-HSG-C0	G-CAP-0-P	TPA-C0	RS	LS	MAL	CPA	MSEAL	RSEAL	72	-	-	69	68	-	-	-	-	63	62	-	-	59	58	-	56	55	-	53	SALEABLE		345650003
											-	-	-	-	-	-	46	-	-	43	42	-	40	39	38	-	36	35	-	-			
																					-	31	30	29	-	-	26	-	24	23			
MX123 CONN ASSY 73 CKT GRY OPT0 KEY B/19	345667393	C-HSG-B0	G-CAP-0-P	TPA-B0	RS	LS	MAL	CPA	MSEAL	RSEAL	-	71	70	69	68	67	66	65	64	63	-	-	60	59	58	57	56	-	54	53	SALEABLE		345650003
											-	51	50	49	-	-	-	45	-	-	42	41	-	39	38	37	36	35	34	33			
																					32	31	30	29	28	27	26	25	24	23			
MX123 CONN ASSY 73 CKT GRY OPT0 KEY B/52	345667403	C-HSG-B0	G-CAP-0-P	TPA-B0	RS	LS	MAL	CPA	MSEAL	RSEAL	72	71	70	69	68	67	66	65	64	63	62	61	60	-	58	-	56	-	54	-	SALEABLE		345650003
											52	51	-	-	-	47	-	45	44	43	42	41	40	-	38	-	36	-	34	-			
																					32	31	30	-	28	27	26	25	24	-			
MX123 CONN ASSY 73 CKT BLK OPT0 KEY A/53	345667413	C-HSG-A0	G-CAP-0-P	TPA-A0	RS	LS	MAL	CPA	MSEAL	RSEAL	-	-	-	-	-	67	-	-	-	-	62	-	-	59	58	-	-	55	-	-	SALEABLE		345650003
											52	-	-	-	-	47	-	-	-	-	-	41	-	-	-	-	35	-	-				
																					-	-	-	-	-	27	-	-	24	-			
MX123 CONN ASSY 73 CKT BLU OPT0 KEY C/38	345667423	C-HSG-C0	G-CAP-0-P	TPA-C0	RS	LS	MAL	CPA	MSEAL	RSEAL	72	71	-	-	68	-	66	65	-	63	62	-	-	59	58	-	56	55	-	53	SALEABLE		345650003
											-	-	-	-	-	-	-	-	-	43	42	-	40	39	38	-	36	35	-	-			
																					-	31	30	29	-	-	26	-	24	23			
MX123 CONN ASSY 73 CKT GRY OPT0 KEY B/31	345667433	C-HSG-B0	G-CAP-0-P	TPA-B0	RS	LS	MAL	CPA	MSEAL	RSEAL	-	71	70	69	-	67	66	65	64	63	-	-	-	-	58	57	56	-	54	53	SALEABLE		345650003
											-	51	50	49	-	-	-	45	-	-	42	-	-	39	-	-	-	-	34	33			
																					32	31	-	29	28	27	26	25	24	23			
MX123 CONN ASSY 73 CKT BLK OPT0 KEY A/50	345667443	C-HSG-A0	G-CAP-0-P	TPA-A0	RS	LS	MAL	CPA	MSEAL	RSEAL	-	-	-	-	-	67	-	-	-	-	62	61	-	59	58	-	-	55	-	53	SALEABLE		345650003
											-	-	-	-	-	47	-	-	-	-	-	41	-	-	-	-	35	-	33				
																					32	-	-	-	-	27	-	-	24	-			
MX123 CONN ASSY 73 CKT BLU OPT0 KEY C/41	345667453	C-HSG-C0	G-CAP-0-P	TPA-C0	RS	LS	MAL	CPA	MSEAL	RSEAL	72	-	-	69	68	-	-	-	-	63	62	-	-	59	-	-	56	55	-	53	SALEABLE		345650003
											-	-	-	-	-	-	46	-	-	43	42	-	40	39	-	-	36	35	-	-			
																					-	31	30	29	-	-	26	-	24	23			
MX123 CONN ASSY 73 CKT GRY OPT0 KEY B/25	345667463	C-HSG-B0	G-CAP-0-P	TPA-B0	RS	LS	MAL	CPA	MSEAL	RSEAL	-	71	70	69	-	67	66	65	64	63	-	-	60	59	58	57	56	-	54	53	SALEABLE		345650003
											-	51	50	49	-	-	-	45	44	-	42	41	-	39	38	37	36	35	34	33			
																					32	31	-	29	28	27	26	25	24	23			
MX123 CONN ASSY 73 CKT GRY OPT0 KEY B/27	345667473	C-HSG-B0	G-CAP-0-P	TPA-B0	RS	LS	MAL	CPA	MSEAL	RSEAL	-	71	70	69	-	-	66	65	64	-	-	-	60	59	58	57	56	-	54	53	SALEABLE		345650003
											-	51	50	49	-	-	-	45	44	-	42	41	-	39	38	37	36	35	34	33			
																					32	31	-	29	28	-	26	25	24	23			
MX123 CONN ASSY 73 CKT GRY OPT0 KEY B/26	345667483	C-HSG-B0	G-CAP-0-P	TPA-B0	RS	LS	MAL	CPA	MSEAL	RSEAL	-	71	70	69	-	67	66	65	64	63	-	-	60	59	58	57	56	-	54	53	SALEABLE		345650003
											-	51	50	49	-	-	-	45	44	-	42	41	-	39	38	37	36	35	34	33			
																					32	31	-	29	28	27	26	25	24	23			
MX123 CONN ASSY 73 CKT BLU OPT0 KEY C/39	345667493	C-HSG-C0	G-CAP-0-P	TPA-C0	RS	LS	MAL	CPA	MSEAL	RSEAL	72	71	70	-	68	-	66	65	-	63	-	61	-	59	58	-	56	-	-	53	SALEABLE		345650003
											-	-	-	49	-	-	-	-	-	43	-	41	40	39	38	-	36	-	-	-			
																					-	31	30	29	-	-	-	-	25	24			

ASSEMBLY DESCRIPTION	ASSEMBLY PART NUMBER	CONNECTOR HOUSING	GROMMET CAP	TPA	RIGHT SLIDE	LEFT SLIDE	MATE ASSIST LEVER	CPA	MAT SEAL	RING SEAL	BLOCKED TERMINALS																				STATUS	COMMENTS	INTEGRAL COMPONENTS SOLD SEPARATELY		
											CAVITY WITH A NUMBER INDICATES BLOCKED TERMINAL POSITION																						DRESS COVER		
											CAVITY WITHOUT A NUMBER INDICATES OPEN TERMINAL POSITION																								
MX123 CONN ASSY 73 CKT GRY OPT0 KEY B/24	345667653	C-HSG-B0	G-CAP-0-P	TPA-B0	RS	LS	MAL	CPA	MSEAL	RSEAL	-	71	-	69	68	67	66	65	64	63	-	-	60	59	58	57	56	-	54	53	SALEABLE		345650003		
											-	51	50	49	-	-	-	45	44	-	42	41	-	39	38	37	36	35	34	33					
															32	31	-	29	28	27	26	25	24	23	-	-	-	-	-	-				17	
MX123 CONN ASSY 73 CKT GRY OPT0 KEY B/36	345667663	C-HSG-B0	G-CAP-0-P	TPA-B0	RS	LS	MAL	CPA	MSEAL	RSEAL	-	71	-	69	-	67	66	65	64	63	-	-	-	-	58	57	56	-	54	53	SALEABLE		345650003		
											-	51	50	49	-	-	-	45	-	-	42	-	-	39	-	-	-	-	-	34				-	
															32	31	-	29	28	27	26	25	24	23	-	-	-	-	-	-				-	
MX123 CONN ASSY 73 CKT BLU OPT0 KEY C/46	345667673	C-HSG-C0	G-CAP-0-P	TPA-C0	RS	LS	MAL	CPA	MSEAL	RSEAL	72	-	-	-	68	-	-	-	-	63	62	-	-	-	-	56	55	-	53	SALEABLE		345650003			
											-	-	-	-	-	-	-	-	-	43	42	-	40	-	-	-	36	35	-				-		
															-	31	30	29	-	-	26	-	24	-	22	21	20	19	-				-		
MX123 CONN ASSY 73 CKT GRY OPT9 KEY B/67	345667683	C-HSG-B9	G-CAP-9-P	TPA-B9	RS	LS	MAL	CPA	MSEAL	RSEAL	-	-	-	-	-	-	-	-	-	-	-	-	-	-	58	-	-	-	54	53	SALEABLE		345650003		
											-	-	-	-	-	-	-	-	-	-	42	-	-	-	-	-	-	-	-	-				-	
															-	-	-	-	-	27	-	-	-	-	-	-	-	-	-	-				-	
MX123 CONN ASSY 73 CKT BLK OPT9 KEY A/31	345667693	C-HSG-A9	G-CAP-9-P	TPA-A9	RS	LS	MAL	CPA	MSEAL	RSEAL	-	71	70	69	68	67	66	65	-	63	-	-	60	59	58	-	-	-	-	53	SALEABLE		345650003		
											-	-	50	49	48	47	-	-	44	-	42	41	-	39	38	-	36	-	-	33					
															-	31	-	-	28	-	26	-	24	23	22	21	-	19	18	17					
MX123 CONN ASSY 73 CKT BLK OPT0 KEY A/26	345667703	C-HSG-A0	G-CAP-0-P	TPA-A0	RS	LS	MAL	CPA	MSEAL	RSEAL	-	-	-	-	-	-	65	-	-	-	61	-	-	58	57	56	-	-	-	SALEABLE		345650003			
											-	51	50	-	-	47	46	45	-	-	-	41	-	-	38	37	36	-	-				-		
															-	31	30	-	28	-	26	25	-	-	22	21	20	-	-				-		
MX123 CONN ASSY 73 CKT BLK OPT9 KEY A/35	345667713	C-HSG-A9	G-CAP-9-P	TPA-A9	RS	LS	MAL	CPA	MSEAL	RSEAL	-	71	70	69	68	67	66	65	-	63	-	-	60	59	-	-	-	-	53	SALEABLE		345650003			
											-	-	50	49	-	47	-	-	44	-	42	-	-	39	38	-	36	-	-				33		
															-	31	-	-	28	-	26	-	24	23	22	21	-	19	18				17		
MX123 CONN ASSY 73 CKT BLK OPT9 KEY A/30	345667723	C-HSG-A9	G-CAP-9-P	TPA-A9	RS	LS	MAL	CPA	MSEAL	RSEAL	-	71	70	69	68	67	66	65	-	63	-	-	60	59	58	-	-	-	-	SALEABLE		345650003			
											-	-	50	49	48	47	-	-	44	-	42	41	-	39	38	-	36	35	34				33		
															-	31	-	-	28	-	26	-	24	23	22	21	-	19	18				17		
MX123 CONN ASSY 73 CKT BLK OPT9 KEY A/34	345667733	C-HSG-A9	G-CAP-9-P	TPA-A9	RS	LS	MAL	CPA	MSEAL	RSEAL	-	71	70	69	68	67	66	65	-	63	-	-	60	59	-	-	-	-	SALEABLE		345650003				
											-	-	50	49	-	47	-	-	44	-	42	-	-	39	38	-	36	35				34	33		
															-	31	-	-	28	-	26	-	24	23	22	21	-	19				18	17		
MX123 CONN ASSY 73 CKT BLU OPT0 KEY C/45	345667743	C-HSG-C0	G-CAP-0-P	TPA-C0	RS	LS	MAL	CPA	MSEAL	RSEAL	-	71	-	69	-	-	-	65	64	-	-	61	60	-	58	-	56	55	54	-	SALEABLE		345650003		
											-	-	50	-	-	-	-	45	-	43	42	-	-	-	38	-	-	-	-	-					
															-	31	-	29	28	-	-	-	-	23	-	-	-	19	18	17					
MX123 CONN ASSY 73 CKT BLK OPT0 KEY A/51	345667753	C-HSG-A0	G-CAP-0-P	TPA-A0	RS	LS	MAL	CPA	MSEAL	RSEAL	72	-	-	-	-	-	66	65	-	-	-	-	-	-	-	-	-	-	SALEABLE		345650003				
											-	-	-	-	48	47	46	-	-	-	-	-	40	-	-	-	-	35				-	33		
															-	-	30	-	-	-	-	-	24	23	22	21	20	-				-	17		
MX123 CONN ASSY 73 CKT NAT OPT0 KEY F/1	345667763	C-HSG-F0	G-CAP-0-P	TPA-F0	RS	LS	MAL	CPA	MSEAL	RSEAL	72	71	70	69	68	67	66	65	64	63	62	61	60	59	58	57	56	55	54	53	SALEABLE		345650003		
											52	51	50	49	48	47	46	45	44	43	42	41	40	39	38	37	36	35	34	33					
															32	31	30	29	28	27	26	25	24	23	22	21	20	19	18	17					

ASSEMBLY DESCRIPTION	ASSEMBLY PART NUMBER	CONNECTOR HOUSING	GROMMET CAP	TPA	RIGHT SLIDE	LEFT SLIDE	MATE ASSIST LEVER	CPA	MAT SEAL	RING SEAL	BLOCKED TERMINALS																				STATUS	COMMENTS	INTEGRAL COMPONENTS SOLD SEPARATELY	
											CAVITY WITH A NUMBER INDICATES BLOCKED TERMINAL POSITION																						DRESS COVER	
											CAVITY WITHOUT A NUMBER INDICATES OPEN TERMINAL POSITION																							
MX123 CONN ASSY 73 CKT GRY OPT0 KEY B/25	345667773	C-HSG-B0	G-CAP-0-P	TPA-B0	RS	LS	MAL	CPA	MSEAL	RSEAL	-	71	-	69	68	-	66	65	64	-	-	-	-	-	58	57	56	55	54	53	SALEABLE		345650003	
											-	51	50	49	48	47	-	45	44	-	42	-	-	39	38	37	36	35	34	33				
															32	31	30	29	28	-	26	25	24	23	-	-	-	-	-	-				17
															-	15	-	13	12	-	10	9	8	7	-	5	-	3	2	1				
MX123 CONN ASSY 73 CKT BLK OPT0 KEY A/51	345667783	C-HSG-A0	G-CAP-0-P	TPA-A0	RS	LS	MAL	CPA	MSEAL	RSEAL	-	-	-	-	-	67	-	-	-	-	62	61	-	59	58	-	-	55	-	53	SALEABLE		345650003	
											-	-	-	-	-	47	-	-	-	-	-	-	-	-	-	-	-	35	-	33				
															-	-	-	-	-	27	-	-	24	-	-	-	20	19	18	17				
															16	-	-	-	-	11	10	-	8	-	-	-	4	3	-	-				
MX123 CONN ASSY 73 CKT BLK OPT0 KEY A/40	345667793	C-HSG-A0	G-CAP-0-P	TPA-A0	RS	LS	MAL	CPA	MSEAL	RSEAL	-	71	-	69	68	-	-	-	64	-	62	61	-	-	-	-	-	54	53	SALEABLE		345650003		
											-	-	50	-	-	-	-	-	44	-	-	41	-	-	-	-	-	-	34				33	
															32	31	30	29	-	-	26	25	24	-	-	-	20	19	-				-	
															16	15	14	13	-	-	10	-	8	7	6	5	4	3	-				-	
MX123 CONN ASSY 73 CKT BLK OPT0 KEY A/26	345667803	C-HSG-A0	G-CAP-0-P	TPA-A0	RS	LS	MAL	CPA	MSEAL	RSEAL	-	-	-	69	-	67	-	65	-	-	-	-	-	58	57	56	-	-	-	SALEABLE		345650003		
											-	51	50	-	-	47	-	45	-	-	-	41	-	-	38	37	36	-	-				-	
															-	31	30	-	-	-	26	25	-	-	22	21	20	-	-				-	
															-	15	-	-	-	-	10	-	-	-	-	5	4	-	-				-	
MX123 CONN ASSY 73 CKT BLK OPT0 KEY A/50	345667813	C-HSG-A0	G-CAP-0-P	TPA-A0	RS	LS	MAL	CPA	MSEAL	RSEAL	72	71	-	-	-	-	66	65	64	-	-	-	-	-	-	-	-	-	SALEABLE		345650003			
											-	-	-	-	48	47	46	45	-	-	-	-	-	-	-	-	-	35				-	33	
															-	31	30	-	-	-	-	24	23	22	-	20	-	-				17		
															-	-	-	-	-	-	-	-	-	7	6	-	4	-				2	1	
MX123 CONN ASSY 73 CKT GRY OPT0 KEY B/32	345667823	C-HSG-B0	G-CAP-0-P	TPA-B0	RS	LS	MAL	CPA	MSEAL	RSEAL	-	71	70	69	-	-	66	65	64	-	-	-	-	58	57	56	55	54	53	SALEABLE		345650003		
											-	51	50	49	-	-	-	45	-	-	42	-	-	39	-	-	-	-	34				33	
															32	31	-	29	28	-	26	25	24	23	22	21	-	-	-				17	
															-	15	-	13	12	-	10	9	-	7	6	5	-	3	2				-	
MX123 CONN ASSY 73 CKT GRY OPT0 KEY B/64	345667833	C-HSG-B0	G-CAP-0-P	TPA-B0	RS	LS	MAL	CPA	MSEAL	RSEAL	-	-	-	-	-	-	-	-	-	-	62	-	-	-	58	-	-	-	54	53	SALEABLE		345650003	
											-	-	-	-	-	-	-	-	-	-	42	-	-	-	-	-	-	-	-	-				
															-	-	-	-	-	27	-	-	-	-	-	-	-	-	-	-				
															-	-	-	-	-	11	10	9	-	-	-	-	-	-	-	-				
MX123 CONN ASSY 73 CKT BLU OPT9 KEY C/38	345667843	C-HSG-C9	G-CAP-9-P	TPA-C9	RS	LS	MAL	CPA	MSEAL	RSEAL	72	-	70	69	68	-	66	-	-	63	-	-	-	59	-	-	56	55	-	53	SALEABLE		345650003	
											-	-	-	-	-	-	46	-	-	43	-	-	40	39	-	-	36	35	-	-				
															32	31	30	29	-	-	-	-	24	23	22	21	20	19	-	17				
															-	-	-	-	-	-	-	-	8	7	6	5	4	3	2	1				
MX123 CONN ASSY 73 CKT BLU OPT9 KEY C/41	345667853	C-HSG-C9	G-CAP-9-P	TPA-C9	RS	LS	MAL	CPA	MSEAL	RSEAL	-	-	-	-	68	-	-	65	-	63	62	61	60	59	58	57	56	55	-	53	SALEABLE		345650003	
											-	-	-	-	48	-	-	45	-	43	42	41	40	-	-	37	36	35	34	33				
															32	31	-	-	-	-	-	-	-	-	-	20	19	18	-					
															-	-	-	-	-	-	-	-	-	-	-	4	3	2	1					
MX123 CONN ASSY 73 CKT BLU OPT9 KEY C/41	345667863	C-HSG-C9	G-CAP-9-P	TPA-C9	RS	LS	MAL	CPA	MSEAL	RSEAL	-	71	-	69	-	-	-	65	64	-	-	61	60	-	58	-	56	55	54	-	SALEABLE		345650003	
											-	-	50	49	-	-	-	45	-	43	42	41	-	-	38	-	-	-	-	-				
															-	31	-	29	28	-	-	-	-	23	-	-	20	19	18	17				
															16	-	-	13	12	11	-	-	-	7	-	-	-	3	-	1				
MX123 CONN ASSY 73 CKT BLK OPT9 KEY A/29	345667873	C-HSG-A9	G-CAP-9-P	TPA-A9	RS	LS	MAL	CPA	MSEAL	RSEAL	72	-	70	-	68	67	66	-	-	63	62	-	-	59	-	57	-	-	-	53	SALEABLE		345650003	
											52	51	-	49	48	47	46	-	44	-	-	41	40	39	-	37	36	-	34	33				
															32	-	30	-	-	27	26	25	24	-	22	21	20	-	-	-				
															-	15	14	13	-	-	10	9	8	7	6	5	4	-	2	-				
MX123 CONN ASSY 73 CKT BLK OPT9 KEY A/30	345667883	C-HSG-A9	G-CAP-9-P	TPA-A9	RS	LS	MAL	CPA	MSEAL	RSEAL	-	71	70	69	-	-	-	-	64	63	62	61	60	59	58	57	56	55	54	53	SALEABLE		345650003	
											52	51	50	49	-	-	46	45	44	43	42	41	-	39	-	37	36	-	34	-				
															32	-	-	29	28	27	26	-	-	-	-	-	-	-	18	-				
															16	15	14	13	12	11	10	-	-	-	-	-	-	3	-	-				

ASSEMBLY DESCRIPTION	ASSEMBLY PART NUMBER	CONNECTOR HOUSING	GROMMET CAP	TPA	RIGHT SLIDE	LEFT SLIDE	MATE ASSIST LEVER	CPA	MAT SEAL	RING SEAL	BLOCKED TERMINALS																STATUS	COMMENTS	INTEGRAL COMPONENTS SOLD SEPARATELY													
											CAVITY WITH A NUMBER INDICATES BLOCKED TERMINAL POSITION																		DRESS COVER													
											CAVITY WITHOUT A NUMBER INDICATES OPEN TERMINAL POSITION																															
MX123 CONN ASSY 73 CKT BLK OPT9 KEY A/51	345667893	C-HSG-A9	G-CAP-9-P	TPA-A9	RS	LS	MAL	CPA	MSEAL	RSEAL	-	-	-	-	-	67	-	-	-	-	62	-	-	59	58	-	-	55	-	-												
											-	-	-	-	-	47	-	-	-	-	41	-	-	-	-	35	-	-														
											-																19	18	17													
											-																16	-	-	-	-	11	10	9	8	-	-	-	-	3	-	1
MX123 CONN ASSY 73 CKT GRY OPT0 KEY B/39	345667903	C-HSG-B0	G-CAP-0-P	TPA-B0	RS	LS	MAL	CPA	MSEAL	RSEAL	72	71	70	69	68	67	66	65	-	63	62	-	60	-	58	-	56	-	54	-												
											52	51	50	49	48	47	46	45	44	43	-	41	40	-	38	37	36	-	34	-												
											-																32	31	30	29	28	27	26	25	24	-	22	21	-	-	18	17
											-																16	-	14	13	12	11	10	9	8	7	6	5	-	-	-	-
MX123 CONN ASSY 73 CKT BLU OPT0 KEY C/37	345667923	C-HSG-C0	G-CAP-0-P	TPA-C0	RS	LS	MAL	CPA	MSEAL	RSEAL	72	-	-	-	69	68	-	66	65	-	63	62	-	-	59	58	-	56	55	-	53											
											-	-	-	-	-	-	46	-	-	43	42	-	40	39	38	-	36	35	-	-												
											-																-	31	30	29	-	-	26	-	24	23	22	21	20	19	-	-
											-																-	-	-	-	-	-	-	-	-	-	6	5	4	3	2	1
MX123 CONN ASSY 73 CKT BLK OPT0 KEY A/50	345667933	C-HSG-A0	G-CAP-0-P	TPA-A0	RS	LS	MAL	CPA	MSEAL	RSEAL	-	-	-	-	-	67	-	-	-	-	62	-	-	59	58	-	-	55	-	-												
											-	-	-	-	-	47	-	-	-	-	42	41	-	-	-	-	35	-	-													
											-																19	18	17													
											-																16	-	-	-	-	11	10	9	8	-	-	-	-	3	-	1
MX123 CONN ASSY 73 CKT GRY OPT0 KEY B/32	345667943	C-HSG-B0	G-CAP-0-P	TPA-B0	RS	LS	MAL	CPA	MSEAL	RSEAL	-	71	70	69	68	67	66	65	64	63	-	-	-	-	58	57	56	-	54	53												
											-	51	50	49	-	-	-	45	44	-	42	-	-	39	-	-	-	-	34	33												
											-																32	-	-	29	28	27	26	25	24	23	-	-	-	-	-	-
											-																-	-	-	13	12	11	10	9	8	7	-	5	-	3	2	-
MX123 CONN ASSY 73 CKT GRY OPT0 KEY B/32	345667953	C-HSG-B0	G-CAP-0-P	TPA-B0	RS	LS	MAL	CPA	MSEAL	RSEAL	-	71	70	69	68	67	66	65	64	63	-	-	-	-	58	57	56	-	54	53												
											-	51	50	49	-	-	-	45	44	-	42	-	-	39	-	-	-	-	34	33												
											-																32	-	-	29	28	27	26	25	24	23	-	-	-	-	-	-
											-																-	-	-	13	12	11	10	9	8	7	-	5	-	3	-	1
MX123 CONN ASSY 73 CKT BLK OPT9 KEY A/54	345667963	C-HSG-A9	G-CAP-9-P	TPA-A9	RS	LS	MAL	CPA	MSEAL	RSEAL	-	-	-	-	-	67	-	-	-	-	62	-	-	59	58	-	-	55	-	-												
											-	-	-	-	-	47	-	-	-	-	41	-	-	-	-	35	-	-														
											-																19	18	17													
											-																16	-	-	-	-	11	10	-	8	-	-	-	-	3	-	1
MX123 CONN ASSY 73 CKT GRY OPT9 KEY B/36	345667973	C-HSG-B9	G-CAP-9-P	TPA-B9	RS	LS	MAL	CPA	MSEAL	RSEAL	-	71	70	69	68	67	66	65	64	63	-	-	-	-	58	57	56	-	54	53												
											-	51	-	-	-	-	-	-	44	-	42	-	-	39	-	-	-	-	-	33												
											-																32	31	-	-	28	27	26	25	24	23	-	-	-	-	-	-
											-																-	-	-	13	12	11	10	9	8	7	-	5	-	3	2	-
MX123 CONN ASSY 73 CKT GRY OPT9 KEY B/32	345667983	C-HSG-B9	G-CAP-9-P	TPA-B9	RS	LS	MAL	CPA	MSEAL	RSEAL	-	71	70	69	68	67	66	65	64	63	-	-	-	-	58	57	56	-	54	53												
											-	51	-	-	-	-	-	-	44	-	42	-	-	39	38	37	36	35	-	-												
											-																32	31	-	-	28	27	26	25	24	23	-	-	-	-	-	-
											-																-	-	-	13	12	11	10	9	8	7	-	5	-	3	2	1
MX123 CONN ASSY 73 CKT BLU OPT9 KEY C/39	345667993	C-HSG-C9	G-CAP-9-P	TPA-C9	RS	LS	MAL	CPA	MSEAL	RSEAL	72	71	-	-	68	-	-	65	-	63	62	-	-	59	58	-	56	55	-	53												
											-	-	-	-	-	-	-	-	-	43	42	-	40	39	38	-	36	35	-	-												
											-																-	31	30	29	-	-	26	-	24	23	22	21	20	19	-	-
											-																-	-	-	-	-	-	-	-	-	-	6	5	4	3	2	1
MX123 CONN ASSY 73 CKT BLK OPT0 KEY A/33	345668003	C-HSG-A0	G-CAP-0-P	TPA-A0	RS	LS	MAL	CPA	MSEAL	RSEAL	72	71	70	-	-	67	66	-	-	-	62	-	-	-	-	57	-	55	54	53												
											-	51	-	-	-	-	46	45	44	43	42	-	40	39	-	-	-	35	-	-												
											-																-	-	-	-	-	-	26	25	-	-	22	21	-	-	-	-
											-																-	15	14	-	-	-	-	-	8	7	6	5	4	3	2	-
MX123 CONN ASSY 73 CKT BLU OPT9 KEY C/38	345668013	C-HSG-C9	G-CAP-9-P	TPA-C9	RS	LS	MAL	CPA	MSEAL	RSEAL	72	-	70	69	68	-	66	-	-	63	62	-	-	-	58	-	56	55	-	53												
											-	-	-	49	-	-	46	-	-	43	42	-	40	-	38	-	36	35	-	-												
											-																-	31	30	29	-	-	26	-	24	-	22	21	20	19	-	17
											-																-	-	-	-	-	-	-	-	-	-	6	5	4	3	2	1

ASSEMBLY DESCRIPTION	ASSEMBLY PART NUMBER	CONNECTOR HOUSING	GROMMET CAP	TPA	RIGHT SLIDE	LEFT SLIDE	MATE ASSIST LEVER	CPA	MAT SEAL	RING SEAL	BLOCKED TERMINALS																		STATUS	COMMENTS	INTEGRAL COMPONENTS SOLD SEPARATELY
											CAVITY WITH A NUMBER INDICATES BLOCKED TERMINAL POSITION																				DRESS COVER
											CAVITY WITHOUT A NUMBER INDICATES OPEN TERMINAL POSITION																				
MX123 CONN ASSY 73 CKT BLU OPT9 KEY C/35	345668023	C-HSG-C9	G-CAP-9-P	TPA-C9	RS	LS	MAL	CPA	MSEAL	RSEAL	-	71	70	-	-	67	66	65	64	-	-	61	60	-	58	57	-	-	54	-	
											52	51	50	49	48	47	-	45	44	-	-	41	-	-	38	37	-	-	34	33	
															32	-	-	-	28	27	-	25	-	-	-	-	-	-	-	18	17
															16	15	14	13	12	11	10	9	-	-	-	-	-	-	-	-	-
MX123 CONN ASSY 73 CKT GRY OPT9 KEY B/39	345668033	C-HSG-B9	G-CAP-9-P	TPA-B9	RS	LS	MAL	CPA	MSEAL	RSEAL	72	-	-	-	68	-	-	-	-	-	62	61	60	59	-	-	-	55	-	53	
											52	-	-	-	48	47	46	-	44	43	-	41	40	-	38	37	36	35	-	-	
															-	-	30	-	-	-	-	-	-	-	22	21	20	19	18	17	
															16	15	14	-	-	-	-	-	8	-	6	-	4	-	-	-	1
MX123 CONN ASSY 73 CKT BLK OPT9 KEY A/28	345668043	C-HSG-A9	G-CAP-9-P	TPA-A9	RS	LS	MAL	CPA	MSEAL	RSEAL	72	71	70	69	68	-	66	65	64	63	-	-	60	-	-	57	56	-	54	-	
											52	51	50	49	48	-	46	45	44	43	-	41	40	39	38	37	36	-	34	-	
															32	31	30	29	28	-	-	-	-	23	22	21	-	-	-	-	
															-	15	14	13	12	-	-	-	-	7	6	5	-	-	-	2	-
MX123 CONN ASSY 73 CKT BLK OPT9 KEY A/27	345668053	C-HSG-A9	G-CAP-9-P	TPA-A9	RS	LS	MAL	CPA	MSEAL	RSEAL	-	71	70	69	-	-	-	65	64	63	62	61	60	-	58	57	56	55	54	53	
											52	51	50	49	48	47	-	45	44	43	42	41	-	39	-	37	36	-	34	-	
															32	-	30	29	28	27	26	-	24	-	-	-	-	-	-	18	-
															16	15	14	13	12	11	10	-	-	-	-	-	-	-	3	-	-
MX123 CONN ASSY 73 CKT BLU OPT9 KEY C/30	345668063	C-HSG-C9	G-CAP-9-P	TPA-C9	RS	LS	MAL	CPA	MSEAL	RSEAL	72	-	70	-	68	67	66	-	-	63	62	-	-	59	-	57	-	-	-	53	
											52	51	-	49	48	47	46	-	44	-	-	41	40	39	-	37	36	-	34	33	
															32	-	30	-	-	27	26	25	24	-	22	21	20	-	-	-	
															-	15	14	13	-	-	10	9	8	-	6	5	4	-	2	-	
MX123 CONN ASSY 73 CKT GRY OPT9 KEY B/21	345668073	C-HSG-B9	G-CAP-9-P	TPA-B9	RS	LS	MAL	CPA	MSEAL	RSEAL	72	71	70	-	68	67	66	-	-	62	61	60	59	58	57	56	55	54	53		
											52	51	50	-	48	47	46	-	-	42	41	40	39	38	37	36	35	34	33		
															32	31	30	29	28	27	26	25	24	-	-	-	-	-	18	17	
															16	15	14	13	-	-	10	-	8	-	-	-	-	3	2	1	
MX123 CONN ASSY 73 CKT GRY OPT9 KEY B/11	345668083	C-HSG-B9	G-CAP-9-P	TPA-B9	RS	LS	MAL	CPA	MSEAL	RSEAL	72	71	70	69	68	67	66	65	64	63	-	61	60	-	-	57	56	55	-	-	
											52	51	50	49	48	47	46	45	44	43	-	41	40	-	38	37	36	35	34	33	
															32	31	30	29	28	-	26	25	24	23	22	21	20	19	18	17	
															16	15	14	13	12	11	-	-	8	7	6	5	4	3	2	1	
MX123 CONN ASSY 73 CKT BLK OPT9 KEY A/37	345668093	C-HSG-A9	G-CAP-9-P	TPA-A9	RS	LS	MAL	CPA	MSEAL	RSEAL	72	-	70	-	-	67	-	-	-	63	-	-	60	59	58	57	56	55	-	-	
											52	51	-	-	48	47	46	-	-	43	42	-	40	39	38	37	36	35	-	-	
															-	-	-	-	28	27	-	-	-	-	22	21	-	-	18	17	
															-	-	-	-	12	11	-	9	-	7	-	5	-	-	2	1	
MX123 CONN ASSY 73 CKT BLU OPT9 KEY C/34	345668113	C-HSG-C9	G-CAP-9-P	TPA-C9	RS	LS	MAL	CPA	MSEAL	RSEAL	72	71	70	69	-	67	66	65	64	-	-	-	-	-	-	56	-	54	-		
											52	51	50	49	-	47	46	45	44	-	-	-	-	39	38	-	-	-	34	-	
															-	31	30	29	28	-	26	25	-	23	22	21	-	-	-	17	
															16	15	14	13	12	-	-	9	-	7	6	-	-	-	-	-	
MX123 CONN ASSY 73 CKT BLU OPT0 KEY C/34	345668153	C-HSG-C0	G-CAP-0-P	TPA-C0	RS	LS	MAL	CPA	MSEAL	RSEAL	-	-	-	-	-	-	-	-	-	-	-	-	-	-	-	-	-	54	53		
											-	-	-	49	48	47	46	45	44	43	-	-	40	39	38	37	36	-	-	-	
															32	31	30	29	-	-	26	25	24	23	22	21	20	19	-	17	
															-	15	-	-	12	11	10	9	8	7	6	5	4	-	2	1	
MX123 CONN ASSY 73 CKT GRY OPT9 KEY B/36	345668163	C-HSG-B9	G-CAP-9-P	TPA-B9	RS	LS	MAL	CPA	MSEAL	RSEAL	72	71	70	69	-	-	66	65	-	-	62	61	60	-	-	57	56	-	-	53	
											52	51	50	49	48	-	-	-	-	-	42	41	40	-	-	37	36	-	34	33	
															-	-	-	-	-	-	26	25	24	-	-	21	20	-	18	-	
															16	-	14	-	-	-	-	-	8	7	-	5	-	3	2	-	
MX123 CONN ASSY 73 CKT GRY OPT0 KEY B/27	345668173	C-HSG-B0	G-CAP-0-P	TPA-B0	RS	LS	MAL	CPA	MSEAL	RSEAL	-	71	-	69	-	-	66	65	64	-	-	-	-	-	58	57	56	55	54	53	
											-	51	50	49	48	47	-	45	44	-	42	-	-	39	38	37	36	35	34	33	
															32	31	30	29	28	-	26	25	24	23	-	-	-	-	-	17	
															-	15	-	13	12	-	10	9	-	7	-	5	-	3	2	1	

ASSEMBLY DESCRIPTION	ASSEMBLY PART NUMBER	CONNECTOR HOUSING	GROMMET CAP	TPA	RIGHT SLIDE	LEFT SLIDE	MATE ASSIST LEVER	CPA	MAT SEAL	RING SEAL	BLOCKED TERMINALS																		STATUS	COMMENTS	INTEGRAL COMPONENTS SOLD SEPARATELY									
											CAVITY WITH A NUMBER INDICATES BLOCKED TERMINAL POSITION																				DRESS COVER									
											CAVITY WITHOUT A NUMBER INDICATES OPEN TERMINAL POSITION																													
MX123 CONN ASSY 73 CKT BLK OPT0 KEY A/42	345668203	C-HSG-A0	G-CAP-0-P	TPA-A0	RS	LS	MAL	CPA	MSEAL	RSEAL	72	71	-	69	68	-	-	65	64	63	62	61	60	59	-	57	-	-	-	53	SALEABLE		345650003							
											52	51	50	49	48	-	46	45	-	-	-	-	40	-	38	-	-	35	-	33										
																						32	-	-	29	28	-	26	-	-				23	22	-	-	-	-	17
																						16	15	14	-	12	11	10	9	8				7	-	-	-	-	2	-
MX123 CONN ASSY 73 CKT BLK OPT9 KEY A/22	345668223	C-HSG-A9	G-CAP-9-P	TPA-A9	RS	LS	MAL	CPA	MSEAL	RSEAL	-	71	70	69	68	67	66	65	64	63	-	-	60	-	58	-	56	-	54	53	SALEABLE		345650003							
											-	-	50	49	48	47	46	45	44	43	42	41	-	39	38	-	36	35	34	33										
																						-	31	30	-	28	27	26	-	24				23	22	21	-	19	18	17
																						-	-	-	13	-	-	-	-	8				7	6	5	4	3	2	1
MX123 CONN ASSY 73 CKT BLK OPT9 KEY A/43	345668293	C-HSG-A9	G-CAP-9-P	TPA-A9	RS	LS	MAL	CPA	MSEAL	RSEAL	72	-	-	-	-	-	-	-	64	-	62	61	-	-	-	57	56	55	54	53	SALEABLE		345650003							
											52	51	-	-	-	-	46	45	-	43	-	41	40	-	-	37	-	-	-	-										
																						32	-	30	29	-	27	-	25	-				-	-	-	20	-	-	-
																						16	15	-	13	-	11	10	9	-				-	-	-	4	-	-	-
MX123 CONN ASSY 73 CKT BLK OPT0 KEY A/14	345668303	C-HSG-A0	G-CAP-0-P	TPA-A0	RS	LS	MAL	CPA	MSEAL	RSEAL	-	-	70	-	-	-	-	65	-	-	-	61	60	-	-	-	-	55	-	-	SALEABLE		345650003							
											-	-	-	-	-	-	-	45	-	-	-	41	40	-	-	-	-	-	-	-										
																						-	-	-	-	28	-	26	25	-				-	-	-	-	-	18	-
																						16	-	-	-	-	-	10	-	-				-	-	-	-	-	-	-
MX123 CONN ASSY 73 CKT BLK OPT9 KEY A/41	345668313	C-HSG-A9	G-CAP-9-P	TPA-A9	RS	LS	MAL	CPA	MSEAL	RSEAL	72	-	-	-	68	-	-	-	64	-	62	61	-	-	-	57	56	55	54	53	SALEABLE		345650003							
											52	51	-	-	-	-	46	45	-	43	-	40	-	-	37	-	-	-	-											
																						32	-	30	29	-	27	-	25	-				-	-	-	20	-	-	-
																						16	15	14	13	-	11	10	9	-				-	-	-	5	4	-	-
MX123 CONN ASSY 73 CKT BLK OPT9 KEY A/38	345668323	C-HSG-A9	G-CAP-9-P	TPA-A9	RS	LS	MAL	CPA	MSEAL	RSEAL	72	-	-	-	-	-	-	-	64	-	62	61	-	59	58	57	56	55	54	-	SALEABLE		345650003							
											52	51	-	-	48	-	46	45	-	43	-	41	40	-	-	37	-	35	34	-										
																						32	-	30	29	-	27	-	25	-				-	-	-	20	-	-	-
																						16	15	-	13	-	11	10	9	-				-	-	-	4	3	-	-
MX123 CONN ASSY 73 CKT BLK OPT9 KEY A/42	345668333	C-HSG-A9	G-CAP-9-P	TPA-A9	RS	LS	MAL	CPA	MSEAL	RSEAL	72	-	-	-	-	-	-	-	64	-	62	61	-	59	-	57	56	55	54	-	SALEABLE		345650003							
											52	51	-	-	-	-	46	45	-	43	-	40	-	-	37	-	35	34	-											
																						32	-	30	29	-	27	-	25	-				-	-	-	20	-	-	-
																						16	15	-	13	-	11	10	9	-				-	-	-	4	-	-	-
MX123 CONN ASSY 73 CKT BLK OPT9 KEY A/40	345668343	C-HSG-A9	G-CAP-9-P	TPA-A9	RS	LS	MAL	CPA	MSEAL	RSEAL	72	-	-	-	-	-	-	-	64	-	62	61	-	-	58	57	56	55	54	53	SALEABLE		345650003							
											52	51	-	-	48	-	46	45	-	43	-	41	40	-	-	37	-	-	-	-										
																						32	-	30	29	-	27	-	25	-				-	-	-	20	-	-	-
																						16	15	-	13	-	11	10	9	-				-	-	-	4	3	-	-
MX123 CONN ASSY 73 CKT BLK OPT9 KEY A/31	345668353	C-HSG-A9	G-CAP-9-P	TPA-A9	RS	LS	MAL	CPA	MSEAL	RSEAL	-	71	70	69	68	67	66	65	-	63	-	-	60	59	58	-	-	-	-	-	SALEABLE		345650003							
											-	-	50	49	48	47	-	-	44	-	42	-	-	39	38	-	36	35	34	33										
																						-	31	-	-	28	-	26	-	24				23	22	21	-	19	18	17
																						-	-	14	-	12	-	-	-	8				7	6	5	-	3	2	1
MX123 CONN ASSY 73 CKT BLK OPT9 KEY A/33	345668363	C-HSG-A9	G-CAP-9-P	TPA-A9	RS	LS	MAL	CPA	MSEAL	RSEAL	-	71	70	69	-	67	66	65	-	63	-	-	60	59	58	-	-	-	-	-	SALEABLE		345650003							
											-	-	50	49	48	47	-	-	44	-	42	41	-	39	38	-	36	35	34	33										
																						-	31	-	-	28	-	26	-	24				23	22	21	-	19	18	17
																						-	-	-	-	12	-	-	-	8				7	6	-	-	3	2	1
MX123 CONN ASSY 73 CKT BLK OPT9 KEY A/36	345668373	C-HSG-A9	G-CAP-9-P	TPA-A9	RS	LS	MAL	CPA	MSEAL	RSEAL	-	71	70	69	68	67	66	65	-	63	-	-	60	-	-	-	-	-	53	SALEABLE		345650003								
											-	-	50	49	-	47	-	-	44	-	42	-	-	39	38	-	36	-	-				33							
																						-	31	-	-	28	-	26	-				24	23	22	21	-	19	18	17
																						-	-	14	-	12	-	-	-				8	7	6	5	-	-	2	1
MX123 CONN ASSY 73 CKT BLK OPT9 KEY A/32	345668383	C-HSG-A9	G-CAP-9-P	TPA-A9	RS	LS	MAL	CPA	MSEAL	RSEAL	-	71	70	69	68	67	66	65	-	63	-	-	60	-	58	-	-	-	53	SALEABLE		345650003								
											-	-	50	49	48	47	-	-	44	-	42	41	-	39	38	-	36	-	-				33							
																						-	31	-	-	28	-	26	-				24	23	22	21	-	19	18	17
																						-	-	14	-	12	-	-	-				8	7	6	5	-	3	2	1

ASSEMBLY DESCRIPTION	ASSEMBLY PART NUMBER	CONNECTOR HOUSING	GROMMET CAP	TPA	RIGHT SLIDE	LEFT SLIDE	MATE ASSIST LEVER	CPA	MAT SEAL	RING SEAL	BLOCKED TERMINALS																STATUS	COMMENTS	INTEGRAL COMPONENTS SOLD SEPARATELY	
											CAVITY WITH A NUMBER INDICATES BLOCKED TERMINAL POSITION																		DRESS COVER	
											CAVITY WITHOUT A NUMBER INDICATES OPEN TERMINAL POSITION																			
MX123 CONN ASSY 73 CKT BLK OPT0 KEY A/44	345668393	C-HSG-A0	G-CAP-0-P	TPA-A0	RS	LS	MAL	CPA	MSEAL	RSEAL	-	71	-	69	68	67	66	65	64	-	-	61	60	59	58	57	-	-	-	-
											-	-	50	-	-	47	46	45	44	-	42	41	40	39	38	37	-	-	-	-
															32	-	-	-	-	-	26	25	-	-	-	-	-	-	-	-
								-	-	-	-	-	11	-	-	-	-	-	-	5	4	-	-	-	-					
MX123 CONN ASSY 73 CKT GRY OPT0 KEY B/48	345668403	C-HSG-B0	G-CAP-0-P	TPA-B0	RS	LS	MAL	CPA	MSEAL	RSEAL	72	71	70	69	68	67	66	-	-	63	62	61	60	-	58	-	56	-	54	-
											52	51	-	-	-	47	-	45	44	43	42	41	40	-	38	-	36	-	34	-
															-	31	30	-	28	27	26	25	-	-	22	-	20	19	18	17
				16	-	14	13	12	11	10	9	8	-	-	-	-	-	-	2	1										
MX123 CONN ASSY 73 CKT BLK OPT0 KEY A/43	345668413	C-HSG-A0	G-CAP-0-P	TPA-A0	RS	LS	MAL	CPA	MSEAL	RSEAL	-	71	-	69	68	67	66	65	64	-	-	61	60	59	58	57	-	-	-	-
											-	-	50	-	-	47	46	45	44	-	42	41	40	39	38	37	-	-	-	-
															32	-	-	-	-	-	26	25	-	-	-	-	-	-	-	-
								-	-	-	13	-	11	-	-	-	-	-	5	4	-	-	-	-						
MX123 CONN ASSY 73 CKT BLU OPT0 KEY C/36	345668423	C-HSG-C0	G-CAP-0-P	TPA-C0	RS	LS	MAL	CPA	MSEAL	RSEAL	72	71	70	-	68	-	66	65	-	63	-	-	-	59	58	-	56	55	-	53
											-	-	-	-	-	47	-	-	-	43	-	-	40	39	38	-	36	35	-	-
															32	31	30	29	-	-	-	-	24	23	22	21	20	19	18	17
				-	-	-	-	-	-	-	-	-	-	-	6	5	4	3	2	1										
MX123 CONN ASSY 73 CKT BLU OPT0 KEY C/45	345668443	C-HSG-C0	G-CAP-0-P	TPA-C0	RS	LS	MAL	CPA	MSEAL	RSEAL	72	-	-	69	68	-	-	-	-	63	62	-	-	-	-	56	55	-	53	
											-	-	-	49	-	-	46	-	-	43	42	-	40	-	-	-	36	35	-	-
															-	31	30	29	-	-	26	-	24	-	22	21	20	19	-	-
				-	-	-	-	-	-	-	-	-	-	-	-	4	3	2	1											
MX123 CONN ASSY 73 CKT BLK OPT0 KEY A/48	345668453	C-HSG-A0	G-CAP-0-P	TPA-A0	RS	LS	MAL	CPA	MSEAL	RSEAL	-	-	-	-	-	67	-	-	-	-	62	61	-	59	58	-	-	55	-	53
											-	-	-	-	-	47	-	-	-	-	41	-	-	-	-	-	35	-	33	
															-	-	-	-	-	27	26	25	24	-	-	-	-	19	18	17
				16	-	-	-	-	11	10	9	8	-	-	-	-	-	3	-	1										
MX123 CONN ASSY 73 CKT GRY OPT0 KEY B/34	345668463	C-HSG-B0	G-CAP-0-P	TPA-B0	RS	LS	MAL	CPA	MSEAL	RSEAL	-	71	-	69	-	67	66	65	64	63	-	-	-	-	58	57	56	-	54	53
											-	51	50	49	-	-	-	45	-	-	42	-	-	39	-	-	-	-	34	33
															32	31	-	29	28	27	26	25	24	23	-	-	-	-	-	17
				-	-	-	13	12	11	10	9	-	7	-	5	-	3	2	-											
MX123 CONN ASSY 73 CKT BLU OPT0 KEY C/49	345668473	C-HSG-C0	G-CAP-0-P	TPA-C0	RS	LS	MAL	CPA	MSEAL	RSEAL	72	-	-	69	68	-	-	-	-	63	-	-	-	59	-	-	56	-	-	53
											-	-	-	-	-	46	-	-	43	-	-	40	39	-	-	36	-	-	-	
															32	31	30	29	-	-	-	-	24	23	22	21	20	-	-	-
				-	-	-	-	-	-	-	-	-	-	-	-	4	3	2	1											
MX123 CONN ASSY 73 CKT BLK OPT0 KEY A/51	345668483	C-HSG-A0	G-CAP-0-P	TPA-A0	RS	LS	MAL	CPA	MSEAL	RSEAL	-	-	-	-	-	67	-	-	-	-	62	-	-	59	58	-	-	55	-	-
											-	-	-	-	-	47	-	-	-	-	41	-	-	-	-	-	35	-	-	
															-	-	-	-	-	27	26	25	24	-	-	-	-	19	18	17
				16	-	-	-	-	11	10	9	8	-	-	-	-	3	-	1											
MX123 CONN ASSY 73 CKT GRY OPT0 KEY B/31	345668493	C-HSG-B0	G-CAP-0-P	TPA-B0	RS	LS	MAL	CPA	MSEAL	RSEAL	-	71	-	69	-	-	66	65	64	63	-	-	-	-	58	57	56	-	54	53
											-	51	50	49	-	-	-	45	-	-	42	41	-	39	38	37	36	35	34	-
															32	31	-	29	28	27	26	25	24	23	-	-	-	-	-	-
				-	-	-	13	12	11	10	9	-	7	-	5	-	3	2	1											
MX123 CONN ASSY 73 CKT GRY OPT0 KEY B/27	345668503	C-HSG-B0	G-CAP-0-P	TPA-B0	RS	LS	MAL	CPA	MSEAL	RSEAL	-	-	-	-	-	-	-	-	-	-	-	61	-	-	58	57	56	-	-	-
											-	51	50	-	-	47	46	45	-	-	-	41	40	-	38	37	36	-	-	-
															-	31	30	-	28	-	26	25	-	-	22	21	20	-	-	-
				16	15	14	-	-	-	10	-	-	-	-	-	-	-	-	-	-										
MX123 CONN ASSY 73 CKT BLK OPT9 KEY A/48	345668513	C-HSG-A9	G-CAP-9-P	TPA-A9	RS	LS	MAL	CPA	MSEAL	RSEAL	-	-	-	-	-	67	-	-	-	-	62	-	-	59	58	-	-	55	-	-
											-	-	-	-	-	47	-	-	-	-	42	41	-	-	-	-	35	-	-	
															-	-	-	-	-	27	26	25	-	-	-	21	20	19	18	17
				16	-	-	-	-	11	10	9	8	-	-	-	-	4	3	-	1										

ASSEMBLY DESCRIPTION	ASSEMBLY PART NUMBER	CONNECTOR HOUSING	GROMMET CAP	TPA	RIGHT SLIDE	LEFT SLIDE	MATE ASSIST LEVER	CPA	MAT SEAL	RING SEAL	BLOCKED TERMINALS																		STATUS	COMMENTS	INTEGRAL COMPONENTS SOLD SEPARATELY		
											CAVITY WITH A NUMBER INDICATES BLOCKED TERMINAL POSITION																				DRESS COVER		
											CAVITY WITHOUT A NUMBER INDICATES OPEN TERMINAL POSITION																						
MX123 CONN ASSY 73 CKT GRY OPT9 KEY B/27	345668523	C-HSG-B9	G-CAP-9-P	TPA-B9	RS	LS	MAL	CPA	MSEAL	RSEAL	-	71	-	69	-	67	66	65	64	63	-	-	60	59	58	57	56	-	54	53	SALEABLE		345650003
											-	51	50	49	-	-	-	45	44	-	42	41	-	39	38	37	36	35	34	33			
														32	31	-	29	28	27	26	25	24	23	-	-	-	-	-	-	-			
MX123 CONN ASSY 73 CKT BLU OPT9 KEY C/35	345668533	C-HSG-C9	G-CAP-9-P	TPA-C9	RS	LS	MAL	CPA	MSEAL	RSEAL	72	71	-	69	68	-	-	-	-	63	62	-	-	59	58	-	56	55	-	53	SALEABLE		345650003
											-	-	-	-	-	-	46	-	-	43	42	-	40	39	38	-	36	35	-	-			
														-	31	30	29	-	-	26	-	24	23	22	21	20	19	-	-	-			
MX123 CONN ASSY 73 CKT BLU OPT9 KEY C/35	345668543	C-HSG-C9	G-CAP-9-P	TPA-C9	RS	LS	MAL	CPA	MSEAL	RSEAL	72	-	70	-	68	-	-	-	-	63	62	61	-	59	58	-	56	55	-	53	SALEABLE		345650003
											-	-	-	-	-	-	-	-	-	43	42	41	40	39	38	-	36	35	-	-			
														-	31	30	29	-	-	26	25	24	23	22	21	20	19	18	17	-			
MX123 CONN ASSY 73 CKT GRY OPT0 KEY B/22	345668553	C-HSG-B0	G-CAP-0-P	TPA-B0	RS	LS	MAL	CPA	MSEAL	RSEAL	-	71	70	69	-	67	66	65	64	63	-	-	-	-	58	57	56	-	54	53	SALEABLE		345650003
											-	51	50	49	48	47	-	45	44	-	42	-	-	39	38	37	36	35	34	33			
														32	31	30	29	28	27	26	25	24	23	-	-	-	19	18	17	-			
MX123 CONN ASSY 73 CKT BLK OPT0 KEY A/35	345668563	C-HSG-A0	G-CAP-0-P	TPA-A0	RS	LS	MAL	CPA	MSEAL	RSEAL	-	71	-	69	68	-	66	65	64	-	62	61	-	-	-	-	-	54	53	SALEABLE		345650003	
											-	-	50	49	-	-	-	45	44	-	-	41	-	-	-	-	-	-	34				33
														32	31	30	29	-	27	26	25	24	23	-	-	20	19	-	-				-
MX123 CONN ASSY 73 CKT GRY OPT0 KEY B/59	345668573	C-HSG-B0	G-CAP-0-P	TPA-B0	RS	LS	MAL	CPA	MSEAL	RSEAL	-	-	-	-	-	-	-	-	-	-	62	-	-	-	58	-	-	-	54	53	SALEABLE		345650003
											-	-	-	-	-	-	-	-	-	-	42	-	-	-	-	-	-	-	34	-			
														-	-	-	-	-	27	-	25	-	-	-	-	-	-	18	17	-			
MX123 CONN ASSY 73 CKT BLU OPT0 KEY C/44	345668583	C-HSG-C0	G-CAP-0-P	TPA-C0	RS	LS	MAL	CPA	MSEAL	RSEAL	-	-	-	-	68	-	-	-	-	63	62	61	-	59	58	57	-	55	-	53	SALEABLE		345650003
											-	-	-	-	48	-	-	-	-	43	42	41	-	-	-	37	36	35	-	33			
														32	-	-	29	-	27	-	-	-	-	-	-	20	19	18	-	-			
MX123 CONN ASSY 73 CKT GRY OPT0 KEY B/32	345668593	C-HSG-B0	G-CAP-0-P	TPA-B0	RS	LS	MAL	CPA	MSEAL	RSEAL	-	71	70	69	-	67	66	65	64	63	-	-	-	-	58	57	56	-	54	53	SALEABLE		345650003
											-	51	50	49	-	-	-	45	44	-	42	-	-	39	-	-	-	-	34	33			
														32	31	-	29	28	27	26	25	24	23	-	-	-	-	-	17	-			
MX123 CONN ASSY 73 CKT BLK OPT0 KEY A/47	345668603	C-HSG-A0	G-CAP-0-P	TPA-A0	RS	LS	MAL	CPA	MSEAL	RSEAL	72	71	70	-	-	67	-	65	64	63	62	61	60	-	58	-	56	-	54	-	SALEABLE		345650003
											52	51	50	-	-	47	-	45	-	43	42	41	40	-	-	-	36	-	34	-			
														32	31	30	-	-	27	26	25	24	-	22	-	20	19	-	-	-			
MX123 CONN ASSY 73 CKT BLU OPT0 KEY C/43	345668613	C-HSG-C0	G-CAP-0-P	TPA-C0	RS	LS	MAL	CPA	MSEAL	RSEAL	72	-	-	69	68	-	-	-	-	63	62	-	-	-	-	56	55	-	53	SALEABLE		345650003	
											-	-	-	49	-	-	46	-	-	43	42	-	40	-	-	-	36	35	-				-
														-	31	30	29	-	-	26	-	24	-	22	21	20	19	-	-				-
MX123 CONN ASSY 73 CKT BLU OPT9 KEY C/31	345668623	C-HSG-C9	G-CAP-9-P	TPA-C9	RS	LS	MAL	CPA	MSEAL	RSEAL	72	71	70	69	-	67	66	-	64	-	-	-	60	-	-	-	-	54	-	SALEABLE		345650003	
											52	51	50	49	-	47	46	-	44	-	-	-	40	39	38	-	-	-	-				-
														-	-	30	29	28	27	26	25	24	23	22	21	-	-	-	-				-
MX123 CONN ASSY 73 CKT GRY OPT0 KEY B/22	345668633	C-HSG-B0	G-CAP-0-P	TPA-B0	RS	LS	MAL	CPA	MSEAL	RSEAL	-	71	70	69	68	67	66	65	64	63	-	-	60	59	58	57	56	55	54	53	SALEABLE		345650003
											-	51	50	49	-	-	-	45	44	-	42	41	-	39	38	37	36	35	34	33			
														32	31	-	29	28	27	26	25	24	23	-	-	-	-	-	-	-			

ASSEMBLY DESCRIPTION	ASSEMBLY PART NUMBER	CONNECTOR HOUSING	GROMMET CAP	TPA	RIGHT SLIDE	LEFT SLIDE	MATE ASSIST LEVER	CPA	MAT SEAL	RING SEAL	BLOCKED TERMINALS																				STATUS	COMMENTS	INTEGRAL COMPONENTS SOLD SEPARATELY
											CAVITY WITH A NUMBER INDICATES BLOCKED TERMINAL POSITION																						DRESS COVER
											CAVITY WITHOUT A NUMBER INDICATES OPEN TERMINAL POSITION																						
MX123 CONN ASSY 73 CKT BLU OPT0 KEY C/37	345668643	C-HSG-C0	G-CAP-0-P	TPA-C0	RS	LS	MAL	CPA	MSEAL	RSEAL	72	-	-	69	68	-	-	65	-	63	62	-	-	59	58	-	56	55	-	53	SALEABLE		345650003
											-	-	-	-	-	47	46	-	-	43	42	-	40	39	38	-	36	35	-	-			
											-	-	-	-	-	31	30	29	-	-	26	-	24	23	22	21	20	19	-	-			
MX123 CONN ASSY 73 CKT BLU OPT9 KEY C/36	345668653	C-HSG-C9	G-CAP-9-P	TPA-C9	RS	LS	MAL	CPA	MSEAL	RSEAL	72	-	70	-	68	-	-	-	-	62	-	-	59	58	-	56	55	54	53	SALEABLE		345650003	
											-	-	-	49	-	-	-	-	44	-	42	-	40	39	38	-	36	35	-				-
											-	-	-	-	32	31	30	29	-	-	26	-	24	23	22	21	20	19	18				17
MX123 CONN ASSY 73 CKT GRY OPT0 KEY B/46	345668663	C-HSG-B0	G-CAP-0-P	TPA-B0	RS	LS	MAL	CPA	MSEAL	RSEAL	-	-	-	-	68	67	66	65	-	-	62	-	-	59	-	-	-	54	53	SALEABLE		345650003	
											-	-	-	-	48	47	46	45	44	-	42	41	40	39	-	-	-	35	34				-
											-	-	-	-	31	-	-	-	27	-	-	-	-	-	-	-	-	19	18				17
MX123 CONN ASSY 73 CKT NAT OPT0 KEY F/45	345668673	C-HSG-F0	G-CAP-0-P	TPA-F0	RS	LS	MAL	CPA	MSEAL	RSEAL	-	71	-	69	-	-	-	65	64	-	-	61	60	-	58	-	56	55	54	-	SALEABLE		345650003
											-	-	50	-	-	-	-	45	-	43	42	-	-	-	38	-	-	-	-	-			
											-	-	-	-	31	-	29	28	-	-	-	-	23	-	-	-	19	18	17	-			
MX123 CONN ASSY 73 CKT GRY OPT0 KEY B/45	345668683	C-HSG-B0	G-CAP-0-P	TPA-B0	RS	LS	MAL	CPA	MSEAL	RSEAL	-	71	-	69	-	-	-	65	64	-	-	61	60	-	58	-	56	55	54	-	SALEABLE		345650003
											-	-	50	-	-	-	-	45	-	43	42	-	-	-	38	-	-	-	-	-			
											-	-	-	-	31	-	29	28	-	-	-	-	23	-	-	-	19	18	17	-			
MX123 CONN ASSY 73 CKT BLK OPT0 KEY A/45	345668693	C-HSG-A0	G-CAP-0-P	TPA-A0	RS	LS	MAL	CPA	MSEAL	RSEAL	-	71	-	69	-	-	-	65	64	-	-	61	60	-	58	-	56	55	54	-	SALEABLE		345650003
											-	-	50	-	-	-	-	45	-	43	42	-	-	-	38	-	-	-	-	-			
											-	-	-	-	31	-	29	28	-	-	-	-	23	-	-	-	19	18	17	-			
MX123 CONN ASSY 73 CKT GRY OPT0 KEY B/42	345668703	C-HSG-B0	G-CAP-0-P	TPA-B0	RS	LS	MAL	CPA	MSEAL	RSEAL	72	71	70	-	-	67	-	65	-	63	62	61	60	-	58	-	56	-	54	-	SALEABLE		345650003
											52	51	-	-	-	-	46	45	-	43	42	41	40	-	38	-	36	-	34	-			
											-	-	-	-	32	31	30	-	-	27	26	25	24	-	22	-	20	19	18	-			
MX123 CONN ASSY 73 CKT GRY OPT9 KEY B/46	345668713	C-HSG-B9	G-CAP-9-P	TPA-B9	RS	LS	MAL	CPA	MSEAL	RSEAL	-	-	-	-	68	67	66	65	-	-	62	-	-	59	-	-	-	54	53	SALEABLE		345650003	
											-	-	-	-	48	47	46	45	44	-	42	41	40	39	-	-	-	35	34				-
											-	-	-	-	31	-	-	-	27	-	-	-	-	-	-	-	-	19	18				17
MX123 CONN ASSY 73 CKT BLU OPT0 KEY C/36	345668723	C-HSG-C0	G-CAP-0-P	TPA-C0	RS	LS	MAL	CPA	MSEAL	RSEAL	72	-	-	69	68	67	-	65	-	63	62	-	-	59	58	-	56	55	-	53	SALEABLE		345650003
											-	-	-	-	-	47	46	-	-	43	42	-	40	39	38	-	36	35	-	-			
											-	-	-	-	-	31	30	29	-	-	26	-	24	23	22	21	20	19	-	-			
MX123 CONN ASSY 73 CKT BLK OPT0 KEY A/49	345668733	C-HSG-A0	G-CAP-0-P	TPA-A0	RS	LS	MAL	CPA	MSEAL	RSEAL	-	-	-	-	-	67	-	-	-	-	62	61	-	59	58	-	-	55	-	53	SALEABLE		345650003
											-	-	-	-	-	47	-	-	-	-	-	41	-	-	-	-	35	-	33	-			
											-	-	-	-	-	-	-	-	27	26	25	24	-	-	-	-	19	18	17	-			
MX123 CONN ASSY 73 CKT BLU OPT0 KEY C/41	345668743	C-HSG-C0	G-CAP-0-P	TPA-C0	RS	LS	MAL	CPA	MSEAL	RSEAL	-	-	-	-	68	-	-	65	-	63	62	61	60	59	58	57	56	55	-	53	SALEABLE		345650003
											-	-	-	-	48	-	-	45	-	43	42	41	40	-	-	37	36	35	34	33			
											-	-	-	-	32	31	-	-	-	-	-	-	-	-	-	-	20	19	18	-			
MX123 CONN ASSY 73 CKT GRY OPT0 KEY B/56	345668753	C-HSG-B0	G-CAP-0-P	TPA-B0	RS	LS	MAL	CPA	MSEAL	RSEAL	-	-	-	-	-	-	-	-	-	62	-	-	59	-	-	-	-	-	SALEABLE		345650003		
											-	-	-	-	-	-	-	-	-	42	41	-	39	38	-	-	-	-				-	-
											-	-	-	-	-	31	-	-	-	27	-	-	-	23	22	-	20	-				18	17

ASSEMBLY DESCRIPTION	ASSEMBLY PART NUMBER	CONNECTOR HOUSING	GROMMET CAP	TPA	RIGHT SLIDE	LEFT SLIDE	MATE ASSIST LEVER	CPA	MAT SEAL	RING SEAL	BLOCKED TERMINALS																		STATUS	COMMENTS	INTEGRAL COMPONENTS SOLD SEPARATELY													
											CAVITY WITH A NUMBER INDICATES BLOCKED TERMINAL POSITION																				DRESS COVER													
											CAVITY WITHOUT A NUMBER INDICATES OPEN TERMINAL POSITION																																	
MX123 CONN ASSY 73 CKT GRY OPT0 KEY B/69	345668883	C-HSG-B0	G-CAP-0-P	TPA-B0	RS	LS	MAL	CPA	MSEAL	RSEAL	-	-	-	-	-	-	-	-	-	-	-	62	-	-	-	-	-	-	-	54	53	SALEABLE		345650003										
											-	-	-	-	-	-	-	-	-	-	-	42	-	-	-	-	-	-	-	-	-				-	-	-	-	-	-	-	-	-	-
MX123 CONN ASSY 73 CKT BLK OPT0 KEY A/41	345668893	C-HSG-A0	G-CAP-0-P	TPA-A0	RS	LS	MAL	CPA	MSEAL	RSEAL	-	71	-	69	68	-	-	-	64	-	62	61	-	-	-	-	-	-	-	54	53	SALEABLE		345650003										
											-	-	50	-	-	-	-	-	44	-	-	41	-	-	-	-	-	-	-	-	-				20	19	-	-	-	-	-	-	-	
MX123 CONN ASSY 73 CKT BLK OPT0 KEY A/48	345668913	C-HSG-A0	G-CAP-0-P	TPA-A0	RS	LS	MAL	CPA	MSEAL	RSEAL	-	-	-	-	-	67	-	-	-	-	62	61	-	59	58	-	-	55	-	53	SALEABLE		345650003											
											-	-	-	-	-	47	-	-	-	-	-	-	-	-	-	-	-	-	-	-				-	20	19	18	17	-	-	-	-	-	
MX123 CONN ASSY 73 CKT BLK OPT0 KEY A/52	345668923	C-HSG-A0	G-CAP-0-P	TPA-A0	RS	LS	MAL	CPA	MSEAL	RSEAL	72	-	-	-	-	-	66	65	-	-	-	-	-	-	58	-	-	-	-	-	SALEABLE		345650003											
											-	-	-	-	48	47	-	-	-	-	-	-	-	-	-	-	-	-	-	-				-	35	-	33	-	-	-	-	-	-	
MX123 CONN ASSY 73 CKT BLU OPT0 KEY C/30	345668933	C-HSG-C0	G-CAP-0-P	TPA-C0	RS	LS	MAL	CPA	MSEAL	RSEAL	-	-	70	-	-	67	-	-	64	-	62	61	60	-	-	57	-	55	54	-	SALEABLE		345650003											
											52	51	50	49	48	47	46	45	44	-	42	41	40	-	-	37	-	35	34	33				-	-	-	-	-	-	-	-	-	-	
MX123 CONN ASSY 73 CKT GRY OPT0 KEY B/24	345668943	C-HSG-B0	G-CAP-0-P	TPA-B0	RS	LS	MAL	CPA	MSEAL	RSEAL	-	71	70	69	-	67	66	65	64	63	-	-	60	59	58	57	56	-	54	53	SALEABLE		345650003											
											-	51	50	49	48	47	-	45	44	-	42	41	-	39	38	37	36	35	34	33				-	-	-	-	-	-	-	-	-	-	
MX123 CONN ASSY 73 CKT BLU OPT9 KEY C/43	345668953	C-HSG-C9	G-CAP-9-P	TPA-C9	RS	LS	MAL	CPA	MSEAL	RSEAL	-	-	-	-	68	-	-	65	-	63	62	61	-	59	58	57	56	55	-	53	SALEABLE		345650003											
											-	-	-	-	48	-	-	45	-	43	42	41	-	-	-	37	36	35	34	33				-	-	-	-	-	-	-	-	-	-	
MX123 CONN ASSY 73 CKT GRY OPT0 KEY B/31	345668963	C-HSG-B0	G-CAP-0-P	TPA-B0	RS	LS	MAL	CPA	MSEAL	RSEAL	-	71	70	69	68	67	66	65	64	63	-	-	-	-	58	57	56	-	54	53	SALEABLE		345650003											
											-	51	50	49	-	-	-	45	44	-	42	-	-	39	-	-	-	-	-	-				-	-	34	33	-	-	-	-	-	-	-
MX123 CONN ASSY 73 CKT BLK OPT0 KEY A/47	345668973	C-HSG-A0	G-CAP-0-P	TPA-A0	RS	LS	MAL	CPA	MSEAL	RSEAL	-	-	-	-	-	67	-	-	-	-	62	61	-	59	58	-	-	55	-	53	SALEABLE		345650003											
											-	-	-	-	-	47	-	-	-	-	-	41	-	-	-	-	-	-	-	-				-	20	19	18	-	-	-	-	-	-	
MX123 CONN ASSY 73 CKT BLU OPT0 KEY C/38	345668983	C-HSG-C0	G-CAP-0-P	TPA-C0	RS	LS	MAL	CPA	MSEAL	RSEAL	72	-	-	69	68	-	-	65	-	63	62	-	-	59	58	-	56	55	-	53	SALEABLE		345650003											
											-	-	-	-	-	-	46	-	-	43	42	-	40	39	38	-	36	35	-	-				-	-	-	-	-	-	-	-	-	-	
MX123 CONN ASSY 73 CKT GRY OPT0 KEY B/12	345668993	C-HSG-B0	G-CAP-0-P	TPA-B0	RS	LS	MAL	CPA	MSEAL	RSEAL	72	71	70	69	68	67	-	65	64	63	-	61	60	59	-	57	56	55	54	53	SALEABLE		345650003											
											52	51	50	49	48	47	46	45	44	43	42	-	40	39	-	-	36	35	34	33				-	-	-	-	-	-	-	-	-	-	
MX123 CONN ASSY 73 CKT GRY OPT0 KEY B/50	345669003	C-HSG-B0	G-CAP-0-P	TPA-B0	RS	LS	MAL	CPA	MSEAL	RSEAL	72	71	70	-	-	67	-	65	64	63	62	61	60	-	58	-	56	-	54	-	SALEABLE		345650003											
											52	51	50	-	-	47	-	45	-	43	42	41	40	-	38	-	36	-	34	-				-	-	-	-	-	-	-	-	-	-	

ASSEMBLY DESCRIPTION	ASSEMBLY PART NUMBER	CONNECTOR HOUSING	GROMMET CAP	TPA	RIGHT SLIDE	LEFT SLIDE	MATE ASSIST LEVER	CPA	MAT SEAL	RING SEAL	BLOCKED TERMINALS																				STATUS	COMMENTS	INTEGRAL COMPONENTS SOLD SEPARATELY			
											CAVITY WITH A NUMBER INDICATES BLOCKED TERMINAL POSITION																						DRESS COVER			
											CAVITY WITHOUT A NUMBER INDICATES OPEN TERMINAL POSITION																									
MX123 CONN ASSY 73 CKT BLK OPT0 KEY A/29	345669013	C-HSG-A0	G-CAP-0-P	TPA-A0	RS	LS	MAL	CPA	MSEAL	RSEAL	72	71	70	-	-	67	66	-	-	-	-	-	-	59	58	57	56	55	54	53						
											52	51	50	-	-	47	46	-	-	-	-	-	-	39	-	37	36	35	-	33						
																					32	31	30	29	28	27	26	-	-	-	21	-	-	18	17	
																					16	15	14	13	12	11	10	-	8	7	-	-	-	3	2	1
MX123 CONN ASSY 73 CKT GRY OPT0 KEY B/18	345669023	C-HSG-B0	G-CAP-0-P	TPA-B0	RS	LS	MAL	CPA	MSEAL	RSEAL	72	71	70	69	68	67	66	65	64	63	-	61	60	-	58	57	56	55	54	53						
											52	51	50	49	48	47	46	45	44	43	-	40	-	-	37	36	35	34	33							
																					32	-	30	29	28	-	26	25	24	-	-	21	-	19	-	-
																					16	-	14	13	12	11	10	9	8	-	6	5	-	-	2	1
MX123 CONN ASSY 73 CKT BLU OPT0 KEY C/43	345669033	C-HSG-C0	G-CAP-0-P	TPA-C0	RS	LS	MAL	CPA	MSEAL	RSEAL	-	71	-	69	68	-	66	65	64	-	62	61	-	-	-	-	-	54	53							
											-	-	-	-	48	-	-	-	-	43	42	41	40	-	-	37	36	35	-	33						
																					32	-	-	-	-	27	-	-	-	-	-	20	19	18	-	
																					-	-	-	-	-	11	10	-	-	-	-	-	4	3	2	1
MX123 CONN ASSY 73 CKT BLU OPT0 KEY C/40	345669043	C-HSG-C0	G-CAP-0-P	TPA-C0	RS	LS	MAL	CPA	MSEAL	RSEAL	-	-	-	-	68	-	-	-	-	63	62	61	60	59	58	57	56	55	-	53						
											-	-	-	-	48	-	-	-	-	43	42	41	40	-	-	37	36	35	34	33						
																					32	31	-	-	-	27	-	-	-	-	-	20	19	18	-	
																					-	-	-	-	-	11	10	-	-	-	-	-	4	3	2	1
MX123 CONN ASSY 73 CKT BLU OPT0 KEY C/49	345669053	C-HSG-C0	G-CAP-0-P	TPA-C0	RS	LS	MAL	CPA	MSEAL	RSEAL	-	-	-	-	67	-	-	-	-	63	62	-	-	59	58	-	-	55	-	-						
											-	-	-	-	47	-	-	-	-	-	41	-	-	-	-	-	35	-	-							
																					32	-	-	-	-	27	26	25	24	-	-	-	19	18	17	
																					16	-	-	-	-	11	10	9	8	-	-	-	-	3	-	1
MX123 CONN ASSY 73 CKT GRY OPT0 KEY B/26	345669063	C-HSG-B0	G-CAP-0-P	TPA-B0	RS	LS	MAL	CPA	MSEAL	RSEAL	-	71	70	69	-	67	66	65	64	63	-	-	-	-	58	57	56	-	54	53						
											-	51	50	49	48	47	-	45	-	-	42	-	-	39	38	37	36	35	34	33						
																					32	31	30	29	28	27	26	25	24	23	-	-	-	-	-	
																					-	-	-	13	12	11	10	9	-	7	-	5	-	3	2	1
MX123 CONN ASSY 73 CKT GRY OPT0 KEY B/64	345669073	C-HSG-B0	G-CAP-0-P	TPA-B0	RS	LS	MAL	CPA	MSEAL	RSEAL	-	-	-	-	-	-	-	-	-	-	62	-	-	-	58	-	-	-	54	53						
											-	-	-	-	-	-	-	-	-	-	42	-	-	-	-	-	-	-	-	-						
																					-	-	-	-	-	27	-	25	-	-	-	-	-	-	-	
																					-	-	-	-	-	11	10	-	-	-	-	-	-	-	-	-
MX123 CONN ASSY 73 CKT BLK OPT0 KEY A/36	345669083	C-HSG-A0	G-CAP-0-P	TPA-A0	RS	LS	MAL	CPA	MSEAL	RSEAL	-	71	-	69	68	-	66	65	64	-	62	61	-	-	-	-	-	54	53							
											-	-	50	49	-	-	-	45	44	-	-	41	-	-	-	-	-	-	34	33						
																					32	31	30	29	-	-	26	25	24	23	-	-	20	19	-	-
																					16	15	14	13	-	-	10	-	8	-	6	5	4	3	-	-
MX123 CONN ASSY 73 CKT BLK OPT0 KEY A/35	345669093	C-HSG-A0	G-CAP-0-P	TPA-A0	RS	LS	MAL	CPA	MSEAL	RSEAL	-	71	-	69	68	-	66	65	64	-	62	61	-	-	-	-	-	54	53							
											-	-	50	49	-	-	-	45	44	-	-	41	-	-	-	-	-	-	34	33						
																					32	31	30	29	-	-	26	25	24	23	-	-	20	19	-	-
																					16	15	14	13	-	-	10	-	8	7	6	5	4	3	-	-
MX123 CONN ASSY 73 CKT BLK OPT0 KEY A/30	345669103	C-HSG-A0	G-CAP-0-P	TPA-A0	RS	LS	MAL	CPA	MSEAL	RSEAL	72	71	70	69	-	67	66	-	64	-	62	-	60	-	-	57	-	55	54	-						
											-	-	-	49	48	-	46	45	44	43	42	-	40	39	-	-	-	-	-	-						
																					-	-	-	-	-	-	26	-	-	-	-	-	-	-	-	
																					-	-	-	-	-	-	-	-	8	7	6	5	4	3	2	-
MX123 CONN ASSY 73 CKT BLK OPT0 KEY A/50	345669113	C-HSG-A0	G-CAP-0-P	TPA-A0	RS	LS	MAL	CPA	MSEAL	RSEAL	-	-	-	-	-	67	-	-	-	63	62	-	-	59	58	-	-	55	-	-						
											-	-	-	-	-	47	-	-	-	-	41	-	-	-	-	-	35	-	-							
																					32	-	-	-	-	27	26	25	24	-	-	-	19	18	17	
																					16	-	-	-	-	11	-	9	8	-	-	-	-	3	-	1
MX123 CONN ASSY 73 CKT NAT OPT9 KEY F/57	345669143	C-HSG-F9	G-CAP-9-P	TPA-F9	RS	LS	MAL	CPA	MSEAL	RSEAL	-	-	-	69	68	-	-	-	-	-	-	-	-	-	58	57	-	-	-	-						
											-	-	-	-	-	-	-	-	-	43	42	-	-	-	-	-	-	-	19	18	17					
																					-	-	30	-	-	-	-	-	-	-	-	-	-	3	2	1
																					-	-	-	-	-	-	-	-	-	-	-	-	-	-	-	-

ASSEMBLY DESCRIPTION	ASSEMBLY PART NUMBER	CONNECTOR HOUSING	GROMMET CAP	TPA	RIGHT SLIDE	LEFT SLIDE	MATE ASSIST LEVER	CPA	MAT SEAL	RING SEAL	BLOCKED TERMINALS																				STATUS	COMMENTS	INTEGRAL COMPONENTS SOLD SEPARATELY
											CAVITY WITH A NUMBER INDICATES BLOCKED TERMINAL POSITION																						DRESS COVER
											CAVITY WITHOUT A NUMBER INDICATES OPEN TERMINAL POSITION																						
MX123 CONN ASSY 73 CKT GRY OPT9 KEY B/14	345669153	C-HSG-B9	G-CAP-9-P	TPA-B9	RS	LS	MAL	CPA	MSEAL	RSEAL	72	71	70	69	68	67	-	65	64	63	-	61	60	59	-	57	56	55	54	53	SALEABLE		345650003
											52	51	50	49	48	47	46	45	44	43	42	-	40	39	-	-	36	35	34	33			
															32	31	30	29	28	27	26	25	24	23	22	21	-	-	-	-			
MX123 CONN ASSY 73 CKT GRY OPT9 KEY B/30	345669163	C-HSG-B9	G-CAP-9-P	TPA-B9	RS	LS	MAL	CPA	MSEAL	RSEAL	72	71	70	69	-	-	-	-	64	63	-	61	-	-	58	57	56	55	-	-	SALEABLE		345650003
											52	51	50	49	-	-	-	-	-	43	-	-	-	38	37	36	-	-	33				
															32	-	30	29	28	-	26	25	24	23	22	21	20	-	-	-			
MX123 CONN ASSY 73 CKT GRY OPT0 KEY B/12	345669173	C-HSG-B0	G-CAP-0-P	TPA-B0	RS	LS	MAL	CPA	MSEAL	RSEAL	72	71	70	69	68	67	66	-	64	63	-	61	60	59	-	57	56	55	54	53	SALEABLE		345650003
											52	51	50	49	48	47	46	45	44	43	42	-	40	39	-	-	36	35	34	33			
															32	31	30	29	28	27	26	25	24	23	22	21	20	-	-	-			
MX123 CONN ASSY 73 CKT GRY OPT9 KEY B/62	345669183	C-HSG-B9	G-CAP-9-P	TPA-B9	RS	LS	MAL	CPA	MSEAL	RSEAL	-	-	-	-	-	-	66	-	-	-	-	-	-	58	-	-	-	-	SALEABLE		345650003		
											-	-	-	-	-	-	-	-	-	-	-	-	41	-	-	38	37	-				-	-
															-	-	-	-	-	-	-	-	-	-	-	20	-	18				17	
MX123 CONN ASSY 73 CKT NAT OPT9 KEY F/18	345669193	C-HSG-F9	G-CAP-9-P	TPA-F9	RS	LS	MAL	CPA	MSEAL	RSEAL	72	71	70	-	-	67	66	65	64	63	62	61	60	59	-	-	56	55	54	53	SALEABLE		345650003
											52	51	50	49	48	47	46	45	44	-	-	41	40	39	-	-	36	35	34	-			
															32	31	-	29	28	27	26	25	24	23	22	21	20	-	-	-			
MX123 CONN ASSY 73 CKT BLK OPT0 KEY A/24	345669203	C-HSG-A0	G-CAP-0-P	TPA-A0	RS	LS	MAL	CPA	MSEAL	RSEAL	-	-	-	-	-	-	65	-	-	-	-	-	-	58	57	56	-	-	-	SALEABLE		345650003	
											-	51	50	-	-	47	46	45	-	-	-	41	-	-	-	37	36	-	-				-
															32	31	-	-	-	-	26	25	-	-	22	21	20	-	-				-
MX123 CONN ASSY 73 CKT GRY OPT0 KEY B/46	345669213	C-HSG-B0	G-CAP-0-P	TPA-B0	RS	LS	MAL	CPA	MSEAL	RSEAL	72	71	70	69	-	-	-	-	-	63	62	61	60	-	-	-	56	-	-	-	SALEABLE		345650003
											52	-	-	-	-	47	-	-	44	-	-	-	-	-	-	36	-	34	-				
															-	-	-	29	28	27	-	25	-	-	21	-	19	18	17				
MX123 CONN ASSY 73 CKT GRY OPT9 KEY B/30	345669223	C-HSG-B9	G-CAP-9-P	TPA-B9	RS	LS	MAL	CPA	MSEAL	RSEAL	-	71	70	69	68	67	66	65	64	63	-	-	-	58	57	56	-	54	53	SALEABLE		345650003	
											-	51	50	49	-	-	-	45	44	43	42	-	-	39	-	-	-	-	34				33
															32	31	-	29	28	27	26	25	24	23	-	-	-	-	-				17
MX123 CONN ASSY 73 CKT BLU OPT9 KEY C/40	345669233	C-HSG-C9	G-CAP-9-P	TPA-C9	RS	LS	MAL	CPA	MSEAL	RSEAL	72	-	70	69	68	-	66	-	-	63	62	-	-	-	58	-	56	55	-	53	SALEABLE		345650003
											-	-	-	49	-	-	46	-	-	43	42	-	40	-	38	-	36	35	-	-			
															-	31	30	29	-	-	26	-	24	-	22	21	20	19	-	17			
MX123 CONN ASSY 73 CKT GRY OPT9 KEY B/44	345669243	C-HSG-B9	G-CAP-9-P	TPA-B9	RS	LS	MAL	CPA	MSEAL	RSEAL	-	-	-	-	68	67	66	65	-	-	62	-	60	59	-	-	-	54	53	SALEABLE		345650003	
											-	-	-	-	48	47	46	45	44	-	42	41	40	39	-	-	-	35	34				-
															-	31	-	-	-	27	-	-	-	-	-	-	19	18	17				
MX123 CONN ASSY 73 CKT GRY OPT9 KEY B/61	345669253	C-HSG-B9	G-CAP-9-P	TPA-B9	RS	LS	MAL	CPA	MSEAL	RSEAL	-	-	-	-	-	-	66	-	-	-	-	-	-	58	-	-	-	-	SALEABLE		345650003		
											-	-	-	-	-	-	-	-	-	-	-	-	41	-	-	38	37	-				-	-
															-	-	-	-	-	-	-	-	-	-	20	19	18	17					
MX123 CONN ASSY 73 CKT GRY OPT9 KEY B/22	345669263	C-HSG-B9	G-CAP-9-P	TPA-B9	RS	LS	MAL	CPA	MSEAL	RSEAL	-	71	70	69	-	67	66	65	64	63	-	-	-	58	57	56	-	54	53	SALEABLE		345650003	
											-	51	50	49	48	47	-	45	44	-	42	-	-	39	38	37	36	35	34				33
															32	31	30	29	28	27	26	25	24	23	-	-	-	19	18				17

ASSEMBLY DESCRIPTION	ASSEMBLY PART NUMBER	CONNECTOR HOUSING	GROMMET CAP	TPA	RIGHT SLIDE	LEFT SLIDE	MATE ASSIST LEVER	CPA	MAT SEAL	RING SEAL	BLOCKED TERMINALS																		STATUS	COMMENTS	INTEGRAL COMPONENTS SOLD SEPARATELY							
											CAVITY WITH A NUMBER INDICATES BLOCKED TERMINAL POSITION																				DRESS COVER							
											CAVITY WITHOUT A NUMBER INDICATES OPEN TERMINAL POSITION																											
MX123 CONN ASSY 73 CKT GRY OPT9 KEY B/57	345669273	C-HSG-B9	G-CAP-9-P	TPA-B9	RS	LS	MAL	CPA	MSEAL	RSEAL	-	-	-	-	-	-	66	-	-	-	62	-	-	-	58	-	-	-	-	-	SALEABLE		345650003					
											52	51	-	-	-	-	-	-	45	-	-	-	41	-	-	-	38	37	-	-				-	-	-	-	-
																													20	19				18	17			
MX123 CONN ASSY 73 CKT BLK OPT0 KEY A/14	345669303	C-HSG-A0	G-CAP-0-P	TPA-A0	RS	LS	MAL	CPA	MSEAL	RSEAL	-	-	70	-	-	-	-	65	-	-	-	61	60	-	-	-	-	-	-	SALEABLE		345650003						
											-	-	-	-	-	-	-	45	-	-	-	41	40	-	-	-	-	-	-				-	-	-	-	-	-
																													16				-	-	-	-	-	10
MX123 CONN ASSY 73 CKT BLK OPT9 KEY A/33	345669313	C-HSG-A9	G-CAP-9-P	TPA-A9	RS	LS	MAL	CPA	MSEAL	RSEAL	-	71	70	69	68	67	66	65	-	63	-	-	60	59	-	-	-	-	-	-	SALEABLE		345650003					
											-	-	50	49	-	47	-	-	44	-	42	-	-	39	38	-	36	35	34	33								
																													-	31				-	-	28	-	26
MX123 CONN ASSY 73 CKT BLK OPT9 KEY A/37	345669323	C-HSG-A9	G-CAP-9-P	TPA-A9	RS	LS	MAL	CPA	MSEAL	RSEAL	-	71	70	69	68	67	66	65	-	63	-	-	60	-	-	-	-	-	-	SALEABLE		345650003						
											-	-	50	49	-	47	-	-	44	-	42	-	-	39	38	-	36	-	-				33					
																													-				31	-	-	28	-	26
MX123 CONN ASSY 73 CKT BLK OPT9 KEY A/35	345669333	C-HSG-A9	G-CAP-9-P	TPA-A9	RS	LS	MAL	CPA	MSEAL	RSEAL	-	71	70	69	68	67	66	65	-	63	-	-	60	-	-	-	-	-	53	SALEABLE		345650003						
											-	-	50	49	-	47	-	-	44	-	42	-	-	39	38	-	36	-	-				33					
																													-				31	-	-	28	-	26
MX123 CONN ASSY 73 CKT BLU OPT9 KEY C/34	345669343	C-HSG-C9	G-CAP-9-P	TPA-C9	RS	LS	MAL	CPA	MSEAL	RSEAL	-	71	-	-	-	67	-	65	64	-	-	61	60	59	-	57	-	-	54	-	SALEABLE		345650003					
											52	51	50	-	48	47	-	45	44	-	-	41	-	39	-	37	-	-	34	33								
																													32	-				-	-	28	27	-
MX123 CONN ASSY 73 CKT BLK OPT9 KEY A/35	345669353	C-HSG-A9	G-CAP-9-P	TPA-A9	RS	LS	MAL	CPA	MSEAL	RSEAL	-	71	70	69	68	67	66	65	-	63	-	-	60	59	-	-	-	-	-	SALEABLE		345650003						
											-	-	50	49	-	47	-	-	44	-	42	-	-	39	38	-	36	-	-				33					
																													-				31	-	-	28	-	26
MX123 CONN ASSY 73 CKT BLK OPT9 KEY A/32	345669363	C-HSG-A9	G-CAP-9-P	TPA-A9	RS	LS	MAL	CPA	MSEAL	RSEAL	-	71	70	69	68	67	66	65	-	63	-	-	60	59	58	-	-	-	-	-	SALEABLE		345650003					
											-	-	50	49	48	47	-	-	44	-	42	41	-	39	38	-	36	-	-	33								
																													-	31				-	-	28	-	26
MX123 CONN ASSY 73 CKT BLK OPT9 KEY A/59	345669383	C-HSG-A9	G-CAP-9-P	TPA-A9	RS	LS	MAL	CPA	MSEAL	RSEAL	-	-	-	-	-	67	66	65	-	-	-	-	60	-	-	-	-	-	SALEABLE		345650003							
											-	-	-	49	-	-	-	-	-	-	42	-	-	-	-	36	-	-				-						
																																-	31	-	-	28	-	-
MX123 CONN ASSY 73 CKT GRY OPT0 KEY B/62	345669393	C-HSG-B0	G-CAP-0-P	TPA-B0	RS	LS	MAL	CPA	MSEAL	RSEAL	-	-	-	-	-	-	66	-	-	-	62	-	-	-	58	-	-	-	-	SALEABLE		345650003						
											-	-	-	-	-	-	-	-	-	-	-	-	-	-	-	-	-	-	19				18	17				
																													-				-	-	-	-	-	-
MX123 CONN ASSY 73 CKT GRY OPT0 KEY B/32	345669403	C-HSG-B0	G-CAP-0-P	TPA-B0	RS	LS	MAL	CPA	MSEAL	RSEAL	72	71	70	69	-	-	-	-	64	63	62	61	60	-	-	-	56	55	-	-	SALEABLE		345650003					
											52	-	-	-	-	47	-	-	44	-	-	-	-	-	-	36	-	34	-									
																													-	15				14	-	12	11	-
MX123 CONN ASSY 73 CKT BLK OPT0 KEY A/43	345669423	C-HSG-A0	G-CAP-0-P	TPA-A0	RS	LS	MAL	CPA	MSEAL	RSEAL	-	-	-	69	68	-	-	65	64	63	62	61	60	59	-	-	-	-	-	SALEABLE		345650003						
											-	-	-	49	48	-	-	45	44	43	42	41	40	-	38	-	-	-	34				-					
																													-				-	-	-	-	-	-

ASSEMBLY DESCRIPTION	ASSEMBLY PART NUMBER	CONNECTOR HOUSING	GROMMET CAP	TPA	RIGHT SLIDE	LEFT SLIDE	MATE ASSIST LEVER	CPA	MAT SEAL	RING SEAL	BLOCKED TERMINALS																			STATUS	COMMENTS	INTEGRAL COMPONENTS SOLD SEPARATELY																
											CAVITY WITH A NUMBER INDICATES BLOCKED TERMINAL POSITION																					DRESS COVER																
											CAVITY WITHOUT A NUMBER INDICATES OPEN TERMINAL POSITION																																					
MX123 CONN ASSY 73 CKT GRY OPT9 KEY B/40	345669623	C-HSG-B9	G-CAP-9-P	TPA-B9	RS	LS	MAL	CPA	MSEAL	RSEAL	-	-	-	69	68	67	66	65	-	-	62	-	60	59	-	-	-	-	54	53	SALEABLE		345650003															
											-	-	-	49	48	47	46	45	44	-	42	41	40	39	-	-	-	35	34	33																		
											-																			19				18	17													
											-																			3				2	1													
MX123 CONN ASSY 73 CKT GRY OPT9 KEY B/60	345669633	C-HSG-B9	G-CAP-9-P	TPA-B9	RS	LS	MAL	CPA	MSEAL	RSEAL	-	-	-	-	-	66	-	-	-	62	-	-	-	58	-	-	-	-	-	SALEABLE		345650003																
											-	-	-	-	-	-	-	-	-	-	41	-	-	38	37	-	-	-	-																			
											-																						19	18	17													
											-																						8	-	5	4	-	-	1									
MX123 CONN ASSY 73 CKT BLK OPT9 KEY A/20	345669643	C-HSG-A9	G-CAP-9-P	TPA-A9	RS	LS	MAL	CPA	MSEAL	RSEAL	72	71	70	-	68	67	66	65	-	-	62	-	60	-	58	57	56	55	54	53	SALEABLE		345650003															
											-	51	50	49	-	47	46	45	-	-	42	-	40	-	-	37	36	-	-	33																		
											-																			32				31	-	-	28	27	26	25	24	23	22	21	20	19	18	17
											-																			16				15	14	13	12	11	-	9	8	7	6	-	4	3	-	1
MX123 CONN ASSY 73 CKT GRY OPT0 KEY B/52	345669663	C-HSG-B0	G-CAP-0-P	TPA-B0	RS	LS	MAL	CPA	MSEAL	RSEAL	-	-	-	-	-	-	-	-	-	62	-	60	59	-	-	-	-	-	SALEABLE		345650003																	
											-	-	-	-	-	-	-	-	-	43	42	41	-	39	38	-	-	-				-																
											-																					31	-	-	-	27	-	-	-	23	22	-	20	19	18	17		
											-																					15	-	-	-	11	-	-	-	7	-	-	4	3	-	-		
MX123 CONN ASSY 73 CKT BLU OPT0 KEY C/46	345669673	C-HSG-C0	G-CAP-0-P	TPA-C0	RS	LS	MAL	CPA	MSEAL	RSEAL	-	-	-	-	68	-	-	-	-	63	62	61	-	59	58	57	-	55	-	53	SALEABLE		345650003															
											-	-	-	-	48	-	-	-	-	43	42	41	-	-	-	37	36	35	-	33																		
											-																			32				-	-	29	-	27	-	-	-	-	-	-	19	18	-	
											-																			-				-	-	-	11	10	-	-	-	-	-	-	3	2	1	
MX123 CONN ASSY 73 CKT GRY OPT0 KEY B/60	345669683	C-HSG-B0	G-CAP-0-P	TPA-B0	RS	LS	MAL	CPA	MSEAL	RSEAL	-	-	-	-	-	-	-	-	-	62	-	-	59	58	-	-	-	-	53	SALEABLE		345650003																
											-	-	-	-	-	-	-	-	-	42	-	-	39	-	-	-	-	-	-				34	-														
											-																						27	-	25	-	-	-	-	-	-	-	-	-	-	18	-	
											-																						11	10	-	-	-	-	-	-	-	-	-	-	-	2	-	
MX123 CONN ASSY 73 CKT BLK OPT0 KEY A/32	345669693	C-HSG-A0	G-CAP-0-P	TPA-A0	RS	LS	MAL	CPA	MSEAL	RSEAL	-	71	-	69	68	-	66	65	64	-	62	61	-	-	-	-	-	54	-	SALEABLE		345650003																
											-	-	50	49	-	-	46	45	44	-	-	41	-	-	-	-	-	-	-				34	-														
											-																						32	31	30	29	-	27	26	25	24	23	22	21	20	19	-	-
											-																						16	15	14	13	-	-	10	9	8	7	6	5	4	3	-	-
MX123 CONN ASSY 73 CKT BLK OPT0 KEY A/30	345669703	C-HSG-A0	G-CAP-0-P	TPA-A0	RS	LS	MAL	CPA	MSEAL	RSEAL	-	-	-	-	-	67	66	-	-	-	62	-	60	-	58	-	-	55	54	53	SALEABLE		345650003															
											-	-	-	-	48	-	46	45	44	43	42	-	40	39	-	-	-	35	-	-																		
											-																			26				25	-	-	22	21	-	-	-	17						
											-																			15				14	-	-	-	-	8	7	6	5	4	-	-	-		
MX123 CONN ASSY 73 CKT GRY OPT0 KEY B/45	345669713	C-HSG-B0	G-CAP-0-P	TPA-B0	RS	LS	MAL	CPA	MSEAL	RSEAL	72	71	70	69	-	-	-	-	-	63	62	61	60	-	-	-	56	-	-	-	SALEABLE		345650003															
											52	-	-	-	-	47	-	-	44	-	-	41	-	-	-	-	36	-	34	-																		
											-																			-				-	-	29	28	27	-	25	-	-	-	21	-	19	18	17
											-																			15				14	-	12	11	-	-	-	-	-	-	-	-	-	1	
MX123 CONN ASSY 73 CKT GRY OPT0 KEY B/47	345669723	C-HSG-B0	G-CAP-0-P	TPA-B0	RS	LS	MAL	CPA	MSEAL	RSEAL	-	-	-	-	-	-	-	-	-	62	-	60	59	-	-	-	-	54	53	SALEABLE		345650003																
											-	-	-	-	-	-	-	-	44	-	42	41	-	39	38	-	-	35	34				33															
											-																						31	-	-	-	27	-	-	-	23	22	-	20	-	18	17	
											-																						15	-	-	-	-	-	-	-	7	-	-	4	3	2	1	
MX123 CONN ASSY 73 CKT BLK OPT0 KEY A/32	345669733	C-HSG-A0	G-CAP-0-P	TPA-A0	RS	LS	MAL	CPA	MSEAL	RSEAL	-	-	-	69	68	-	-	65	64	63	62	61	60	-	58	57	56	55	54	-	SALEABLE		345650003															
											-	-	-	49	48	-	-	45	44	43	42	41	40	-	38	-	36	-	34	-																		
											-																			32				31	-	-	-	-	25	24	23	22	-	20	19	18	-	
											-																			15				14	-	12	-	-	9	-	-	6	5	4	-	2	-	
MX123 CONN ASSY 73 CKT GRY OPT0 KEY B/57	345669743	C-HSG-B0	G-CAP-0-P	TPA-B0	RS	LS	MAL	CPA	MSEAL	RSEAL	-	-	-	-	-	-	66	-	-	-	62	-	-	-	58	-	-	-	-	SALEABLE		345650003																
											52	51	-	-	-	-	-	45	-	-	-	41	-	-	38	37	-	-	-				-															
											-																						-	-	-	-	-	-	-	-	-	-	-	20	19	18	17	
											-																						-	-	-	-	-	-	-	-	-	-	-	5	4	-	-	1

ASSEMBLY DESCRIPTION	ASSEMBLY PART NUMBER	CONNECTOR HOUSING	GROMMET CAP	TPA	RIGHT SLIDE	LEFT SLIDE	MATE ASSIST LEVER	CPA	MAT SEAL	RING SEAL	BLOCKED TERMINALS																				STATUS	COMMENTS	INTEGRAL COMPONENTS SOLD SEPARATELY
											CAVITY WITH A NUMBER INDICATES BLOCKED TERMINAL POSITION																						DRESS COVER
											CAVITY WITHOUT A NUMBER INDICATES OPEN TERMINAL POSITION																						
MX123 CONN ASSY 73 CKT BLU OPT0 KEY C/45	345669753	C-HSG-C0	G-CAP-0-P	TPA-C0	RS	LS	MAL	CPA	MSEAL	RSEAL	-	-	-	-	68	-	-	-	-	63	62	61	-	59	58	57	-	55	-	53	SALEABLE		345650003
											-	-	-	-	48	-	-	-	-	43	-	-	-	-	38	37	36	35	34	33			
											-	-	-	-	32	-	-	29	-	27	-	-	-	-	-	-	-	19	18	17			
											-	-	-	-	-	11	10	-	-	-	-	-	-	-	-	-	3	2	1				
MX123 CONN ASSY 73 CKT BLK OPT0 KEY A/33	345669773	C-HSG-A0	G-CAP-0-P	TPA-A0	RS	LS	MAL	CPA	MSEAL	RSEAL	-	-	-	69	68	-	-	65	64	63	62	61	60	-	58	57	56	55	54	-	SALEABLE		345650003
											-	-	-	49	48	-	-	45	44	43	42	41	40	-	38	-	36	-	34	-			
											-	-	-	32	31	-	-	-	-	-	25	24	23	22	-	20	19	18	-				
											-	-	15	14	-	-	-	-	-	9	-	-	6	5	4	-	2	-					
MX123 CONN ASSY 73 CKT GRY OPT0 KEY B/58	345669783	C-HSG-B0	G-CAP-0-P	TPA-B0	RS	LS	MAL	CPA	MSEAL	RSEAL	-	-	-	-	-	66	-	-	-	-	-	-	-	58	-	-	-	-	-	SALEABLE		345650003	
											52	51	-	-	-	-	45	-	-	-	41	-	-	38	37	-	-	-	-				
											-	-	-	-	-	-	-	-	-	-	-	-	-	-	-	20	19	18	17				
											-	-	-	-	-	-	-	-	-	-	-	-	-	5	4	-	-	1					
MX123 CONN ASSY 73 CKT GRY OPT9 KEY B/47	345669793	C-HSG-B9	G-CAP-9-P	TPA-B9	RS	LS	MAL	CPA	MSEAL	RSEAL	-	-	70	-	-	66	-	-	-	62	-	60	59	-	-	-	-	-	-	SALEABLE		345650003	
											-	-	-	-	46	45	-	-	42	-	40	39	-	-	-	35	34	33					
											-	-	32	31	30	-	-	27	-	-	-	-	-	21	-	19	18	17					
											-	-	15	-	-	-	11	-	-	-	-	-	-	-	-	3	2	1					
MX123 CONN ASSY 73 CKT BLK OPT0 KEY A/32	345669803	C-HSG-A0	G-CAP-0-P	TPA-A0	RS	LS	MAL	CPA	MSEAL	RSEAL	-	-	-	-	67	66	-	-	-	62	-	60	-	58	-	-	55	54	53	SALEABLE		345650003	
											-	-	-	-	48	-	46	45	44	43	42	-	40	39	-	-	35	-	-				
											-	-	-	-	-	-	-	-	26	25	-	-	22	21	-	-	-	17					
											-	-	15	14	-	-	-	-	-	8	7	6	5	4	3	2	-						
MX123 CONN ASSY 73 CKT BLK OPT9 KEY A/42	345669813	C-HSG-A9	G-CAP-9-P	TPA-A9	RS	LS	MAL	CPA	MSEAL	RSEAL	-	-	-	69	68	-	-	-	-	-	-	60	-	58	57	56	-	-	-	SALEABLE		345650003	
											-	-	50	49	48	-	-	-	-	-	-	40	-	38	-	-	-	-					
											-	-	32	31	-	-	28	27	26	-	24	23	22	21	20	19	-	-					
											-	16	15	14	-	12	-	10	9	-	-	-	6	5	-	-	2	-					
MX123 CONN ASSY 73 CKT BLK OPT0 KEY A/60	345669823	C-HSG-A0	G-CAP-0-P	TPA-A0	RS	LS	MAL	CPA	MSEAL	RSEAL	-	-	-	-	-	66	-	-	-	62	-	-	-	58	-	-	-	-	-	SALEABLE		345650003	
											-	-	-	-	-	-	-	-	-	-	41	-	-	38	37	-	-	-	-				
											-	-	-	-	-	-	-	-	-	-	-	-	-	-	20	19	18	17					
											-	-	-	-	-	-	-	-	-	-	-	-	-	5	4	-	-	1					
MX123 CONN ASSY 73 CKT GRY OPT9 KEY B/51	345669833	C-HSG-B9	G-CAP-9-P	TPA-B9	RS	LS	MAL	CPA	MSEAL	RSEAL	-	-	-	-	-	66	65	-	-	62	-	60	59	-	-	-	-	-	-	SALEABLE		345650003	
											-	-	-	-	-	46	45	-	-	42	-	40	39	-	-	-	35	34	-				
											-	-	31	-	-	-	27	-	-	-	-	-	-	-	-	19	18	17					
											-	-	15	-	-	-	11	-	-	-	-	-	-	-	-	3	2	1					
MX123 CONN ASSY 73 CKT BLK OPT9 KEY A/41	345669843	C-HSG-A9	G-CAP-9-P	TPA-A9	RS	LS	MAL	CPA	MSEAL	RSEAL	-	-	-	69	68	-	-	-	-	-	-	60	-	58	57	56	-	-	-	SALEABLE		345650003	
											-	-	-	49	48	-	-	-	-	-	-	-	38	-	-	-	-	-					
											-	-	32	31	-	-	28	27	26	25	24	23	22	21	20	19	-	-					
											-	16	15	14	-	12	11	10	9	-	-	-	6	5	4	-	2	-					
MX123 CONN ASSY 73 CKT GRY OPT9 KEY B/62	345669853	C-HSG-B9	G-CAP-9-P	TPA-B9	RS	LS	MAL	CPA	MSEAL	RSEAL	-	-	-	-	-	66	-	-	-	-	-	-	-	-	-	-	-	-	SALEABLE		345650003		
											-	-	-	-	-	-	-	-	-	-	41	-	-	38	37	-	-	-				-	
											-	-	-	-	-	-	-	-	-	-	-	-	-	-	-	19	18	17					
											-	-	-	-	-	-	-	-	-	8	-	-	5	4	-	-	1						
MX123 CONN ASSY 73 CKT GRY OPT0 KEY B/61	345669863	C-HSG-B0	G-CAP-0-P	TPA-B0	RS	LS	MAL	CPA	MSEAL	RSEAL	-	-	-	-	-	66	-	-	-	-	-	-	-	58	-	-	-	-	-	SALEABLE		345650003	
											-	-	-	-	-	-	-	-	-	-	41	-	-	38	37	-	-	-	-				
											-	-	-	-	-	-	-	-	-	-	-	-	-	-	20	19	18	17					
											-	-	-	-	-	-	-	-	-	-	-	-	-	5	4	-	-	1					
MX123 CONN ASSY 73 CKT BLK OPT0 KEY A/33	345669903	C-HSG-A0	G-CAP-0-P	TPA-A0	RS	LS	MAL	CPA	MSEAL	RSEAL	72	-	70	-	-	67	66	-	-	-	62	-	60	-	-	-	-	55	54	53	SALEABLE		345650003
											-	51	-	-	48	-	46	45	44	43	42	-	40	39	-	-	35	-	-				
											-	-	-	-	-	-	-	-	26	25	-	-	22	21	-	-	-	-					
											-	-	15	14	-	-	-	-	-	8	7	6	5	4	3	2	-						

ASSEMBLY DESCRIPTION	ASSEMBLY PART NUMBER	CONNECTOR HOUSING	GROMMET CAP	TPA	RIGHT SLIDE	LEFT SLIDE	MATE ASSIST LEVER	CPA	MAT SEAL	RING SEAL	BLOCKED TERMINALS																				STATUS	COMMENTS	INTEGRAL COMPONENTS SOLD SEPARATELY
											CAVITY WITH A NUMBER INDICATES BLOCKED TERMINAL POSITION																						DRESS COVER
											CAVITY WITHOUT A NUMBER INDICATES OPEN TERMINAL POSITION																						
MX123 CONN ASSY 73 CKT BLK OPT0 KEY A/41	345669913	C-HSG-A0	G-CAP-0-P	TPA-A0	RS	LS	MAL	CPA	MSEAL	RSEAL	-	-	70	69	-	-	-	-	-	63	62	61	60	-	58	57	56	55	54	53	SALEABLE		345650003
											52	51	-	49	-	-	-	-	44	43	42	41	-	-	-	37	36	35	34	33			
															32	-	-	29	28	27	26	-	-	23	-	-	-	19	18	-			
															16	15	-	13	12	11	10	-	8	-	-	-	-	3	-	-			
MX123 CONN ASSY 73 CKT BLK OPT0 KEY A/41	345669923	C-HSG-A0	G-CAP-0-P	TPA-A0	RS	LS	MAL	CPA	MSEAL	RSEAL	-	-	70	69	68	-	-	65	64	63	-	-	-	59	58	-	56	-	-	53	SALEABLE		345650003
											52	-	50	49	-	47	-	-	-	-	-	41	40	-	38	37	36	-	34	-			
															32	31	30	29	28	27	-	-	-	23	22	21	20	19	18	17			
															16	-	-	13	12	11	10	9	-	-	-	-	-	-	-	-			
MX123 CONN ASSY 73 CKT GRY OPT0 KEY B/51	345669933	C-HSG-B0	G-CAP-0-P	TPA-B0	RS	LS	MAL	CPA	MSEAL	RSEAL	72	71	70	-	68	67	66	-	-	-	62	61	60	59	58	57	56	55	54	53	SALEABLE		345650003
											52	51	50	-	48	47	46	-	-	-	42	41	40	39	38	37	36	35	34	33			
															32	31	30	29	28	27	26	25	24	23	-	-	-	-	-	-			
															16	15	14	13	-	-	10	9	8	7	-	-	-	-	-	-			
MX123 CONN ASSY 73 CKT BLU OPT0 KEY C/38	345669943	C-HSG-C0	G-CAP-0-P	TPA-C0	RS	LS	MAL	CPA	MSEAL	RSEAL	72	-	70	-	68	67	66	-	-	63	62	-	-	59	-	57	-	-	-	53	SALEABLE		345650003
											52	51	-	-	48	47	46	-	44	-	42	-	40	39	38	-	-	-	34	33			
															32	-	30	-	-	27	26	25	-	-	22	21	20	-	-	-			
															-	15	14	-	-	-	10	9	-	-	6	5	4	-	-	-			
MX123 CONN ASSY 73 CKT BLK OPT0 KEY A/51	345669953	C-HSG-A0	G-CAP-0-P	TPA-A0	RS	LS	MAL	CPA	MSEAL	RSEAL	72	71	70	69	68	-	66	65	64	63	-	61	-	59	58	-	56	-	54	53	SALEABLE		345650003
											52	-	50	49	-	47	-	-	-	-	42	41	40	-	38	37	36	-	34	33			
															32	31	30	29	28	27	26	-	24	23	22	21	20	19	18	17			
															16	-	-	13	12	11	10	9	8	-	-	-	-	-	-	1			
MX123 CONN ASSY 73 CKT GRY OPT0 KEY B/24	345669963	C-HSG-B0	G-CAP-0-P	TPA-B0	RS	LS	MAL	CPA	MSEAL	RSEAL	72	71	70	69	-	-	66	65	-	-	62	61	60	59	-	57	56	-	54	53	SALEABLE		345650003
											52	51	50	49	48	47	-	-	44	-	42	41	40	39	-	37	36	-	34	33			
															-	31	-	-	-	-	26	25	24	23	-	21	20	-	18	-			
															16	-	14	-	12	11	-	9	8	7	6	5	4	3	2	-			
MX123 CONN ASSY 73 CKT GRY OPT0 KEY B/19	345669973	C-HSG-B0	G-CAP-0-P	TPA-B0	RS	LS	MAL	CPA	MSEAL	RSEAL	72	71	70	69	-	-	66	65	-	-	62	61	60	59	-	57	56	55	54	53	SALEABLE		345650003
											52	51	50	49	48	47	-	-	44	-	42	41	40	39	-	37	36	35	34	33			
															-	31	-	-	-	-	26	25	24	23	-	21	20	19	18	-			
															16	-	14	-	12	11	-	9	8	7	6	5	4	3	2	1			

MX123 52/66/73/80-WAY RECEPTACLE ASSY SEALED PIN OUT SHEET

UNCHECKED cavity number(s) are OPEN																																			
72	71	70	69	68	67	66	65	64	63	62	61	60	59	58	57	56	55	54	53	32	31	30	29	28	27	26	25	24	23	22	21	20	19	18	17
<input checked="" type="checkbox"/>	<input checked="" type="checkbox"/>	<input checked="" type="checkbox"/>	<input type="checkbox"/>	<input type="checkbox"/>	<input type="checkbox"/>	<input checked="" type="checkbox"/>	<input type="checkbox"/>	<input type="checkbox"/>	<input checked="" type="checkbox"/>	<input checked="" type="checkbox"/>	<input checked="" type="checkbox"/>	<input checked="" type="checkbox"/>	<input checked="" type="checkbox"/>	<input type="checkbox"/>	<input checked="" type="checkbox"/>	<input checked="" type="checkbox"/>	<input checked="" type="checkbox"/>	<input checked="" type="checkbox"/>	<input checked="" type="checkbox"/>	<input type="checkbox"/>	<input checked="" type="checkbox"/>	<input type="checkbox"/>	<input type="checkbox"/>	<input type="checkbox"/>	<input checked="" type="checkbox"/>	<input checked="" type="checkbox"/>	<input checked="" type="checkbox"/>	<input checked="" type="checkbox"/>	<input checked="" type="checkbox"/>	<input checked="" type="checkbox"/>	<input checked="" type="checkbox"/>	<input checked="" type="checkbox"/>	<input type="checkbox"/>		
52	51	50	49	48	47	46	45	44	43	42	41	40	39	38	37	36	35	34	33	<input checked="" type="checkbox"/>	<input type="checkbox"/>	<input checked="" type="checkbox"/>	<input type="checkbox"/>	<input checked="" type="checkbox"/>	<input type="checkbox"/>	<input checked="" type="checkbox"/>	<input checked="" type="checkbox"/>	<input checked="" type="checkbox"/>	<input checked="" type="checkbox"/>	<input checked="" type="checkbox"/>	<input checked="" type="checkbox"/>	<input checked="" type="checkbox"/>	<input checked="" type="checkbox"/>	<input checked="" type="checkbox"/>	
<input checked="" type="checkbox"/>	<input checked="" type="checkbox"/>	<input checked="" type="checkbox"/>	<input checked="" type="checkbox"/>	<input checked="" type="checkbox"/>	<input checked="" type="checkbox"/>	<input checked="" type="checkbox"/>	<input type="checkbox"/>	<input type="checkbox"/>	<input checked="" type="checkbox"/>	<input type="checkbox"/>	<input checked="" type="checkbox"/>	<input checked="" type="checkbox"/>	<input checked="" type="checkbox"/>	<input checked="" type="checkbox"/>	<input checked="" type="checkbox"/>	<input checked="" type="checkbox"/>	<input checked="" type="checkbox"/>	<input checked="" type="checkbox"/>	<input checked="" type="checkbox"/>	<input checked="" type="checkbox"/>	<input type="checkbox"/>	<input checked="" type="checkbox"/>	<input type="checkbox"/>	<input checked="" type="checkbox"/>	<input checked="" type="checkbox"/>	<input type="checkbox"/>	<input checked="" type="checkbox"/>	<input checked="" type="checkbox"/>	<input checked="" type="checkbox"/>	<input checked="" type="checkbox"/>	<input checked="" type="checkbox"/>	<input checked="" type="checkbox"/>	<input checked="" type="checkbox"/>		

FOR ADDITIONAL INFORMATION SEE SD-34566-001

STATUS	GM PART #	HRNS CONN ASSY			TPA	GROMMET CAP																							
		MATERIAL/PART	WIRE DRESS OPTION	KEY OPTION	COLOR OPTION	NUMBERS INDICATE CAVITIES OPEN FOR CIRCUITS																							
		NUMBER		OPTION ▽ Fp	OPTION ▽ Fp	▽ Fp																							
SALEABLE	12672860	34566-0103	0	A	BLACK																								
SALEABLE	12672862	34566-0203	0	B	ST GRY	72	71	70	69	68	67	66	65	64	63	62	61	60	59	58	57	56	55	54	53				
SALEABLE	12672864	34566-0303	0	C	BLUE	52	51	50	49	48	47	46	45	44	43	42	41	40	39	38	37	36	35	34	33				
TOOL DES. REL.	12615660	34566-0403	0	D	BROWN	73				32	31	30	29	28	27	26	25	24	23	22	21	20	19	18	17				
TOOL DES. REL.	12615661	34566-0503	0	E	GREEN	73				16	15	14	13	12	11	10	9	8	7	6	5	4	3	2	1				
SALEABLE	12672866	34566-0603	0	F	NATURAL																								
SALEABLE	12672872	34566-0703	0	G	BLUE																								
SALEABLE	12672870	34566-0803	0	H	ST GRY	80	79	78	77	76	75	74	73	72	71	70	69	68	67	66	65	64	63	62	61				
TOOL DES. REL.	12672868	34566-0903	0	J	BLACK	60	61	62	63	64	65	66	67	68	69	70	71	72	73	74	75	76	77	78	79				
TOOL DES. REL.	TBD	34566-1003	0	K	BROWN	40	39	38	37	36	35	34	33	32	31	30	29	28	27	26	25	24	23	22	21				
TOOL DES. REL.	TBD	34566-1103	0	L	GREEN	20	19	18	17	16	15	14	13	12	11	10	9	8	7	6	5	4	3	2	1				
TOOL DES. REL.	TBD	34566-1203	0	M	NATURAL																								
SALEABLE	12672861	34566-1303	9	A	BLACK																								
SALEABLE	12672863	34566-1403	9	B	ST GRY	72	71	70	69	68	67	66	65	64	63	62	61	60	59	58	57	56	55	54	53				
SALEABLE	12672865	34566-1503	9	C	BLUE	52	51	50	49	48	47	46	45	44	43	42	41	40	39	38	37	36	35	34	33				
TOOL DES. REL.	12615663	34566-1603	9	D	BROWN	73				32	31	30	29	28	27	26	25	24	23	22	21	20	19	18	17				
TOOL DES. REL.	12615664	34566-1703	9	E	GREEN	73				16	15	14	13	12	11	10	9	8	7	6	5	4	3	2	1				
SALEABLE	12672867	34566-1803	9	F	NATURAL																								
SALEABLE	12672873	34566-1903	9	G	BLUE																								
SALEABLE	12672871	34566-2003	9	H	ST GRY	80	79	78	77	76	75	74	73	72	71	70	69	68	67	66	65	64	63	62	61				
TOOL DES. REL.	12672869	34566-2103	9	J	BLACK	60	61	62	63	64	65	66	67	68	69	70	71	72	73	74	75	76	77	78	79				
TOOL DES. REL.	TBD	34566-2203	9	K	BROWN	40	39	38	37	36	35	34	33	32	31	30	29	28	27	26	25	24	23	22	21				
TOOL DES. REL.	TBD	34566-2303	9	L	GREEN	20	19	18	17	16	15	14	13	12	11	10	9	8	7	6	5	4	3	2	1				
TOOL DES. REL.	TBD	34566-2403	9	M	NATURAL																								
SALEABLE	12672856	34822-0013	0	A	BLACK	64	63	62	61	60	59	58	57	56	55	54	53	52	51	50	49	66							
						48	47	46	45	44	43	42	41	40	39	38	37	36	35	34	33								
SALEABLE	12672858	34822-0033	0	C	BLUE	65				32	31	30	29	28	27	26	25	24	23	22	21	20	19	18	17				
						65				16	15	14	13	12	11	10	9	8	7	6	5	4	3	2	1				
SALEABLE	12672857	34822-0023	9	A	BLACK	64	63	62	61	60	59	58	57	56	55	54	53	52	51	50	49	66							
						48	47	46	45	44	43	42	41	40	39	38	37	36	35	34	33								
SALEABLE	12672859	34822-0043	9	C	BLUE	65				32	31	30	29	28	27	26	25	24	23	22	21	20	19	18	17				
						65				16	15	14	13	12	11	10	9	8	7	6	5	4	3	2	1				

MX123 52/66/73/80-WAY RECEPTACLE ASSY SEALED PIN OUT SHEET

STATUS	GM PART #	HRNS CONN ASSY			TPA	GROMMET CAP																																																																							
		MATERIAL/PART	WIRE DRESS OPTION	KEY OPTION Fp	COLOR OPTION Fp	NUMBERS INDICATE CAVITIES OPEN FOR CIRCUITS																																																																							
		NUMBER				Fp																																																																							
TOOL DES. REL.	12672852	160094-0001	0	A	BLACK	<table border="1"> <tr> <td>52</td> <td>14</td><td>13</td><td>12</td><td>11</td><td>10</td><td>9</td><td>8</td><td>7</td><td>6</td><td>5</td><td>4</td><td>3</td> <td>2</td> </tr> <tr> <td></td> <td>26</td><td>25</td><td>24</td><td>23</td><td>22</td><td>21</td><td>20</td><td>19</td><td>18</td><td>17</td><td>16</td><td>15</td> <td></td> </tr> <tr> <td>51</td> <td>38</td><td>37</td><td>36</td><td>35</td><td>34</td><td>33</td><td>32</td><td>31</td><td>30</td><td>29</td><td>28</td><td>27</td> <td>1</td> </tr> <tr> <td></td> <td>50</td><td>49</td><td>48</td><td>47</td><td>46</td><td>45</td><td>44</td><td>43</td><td>42</td><td>41</td><td>40</td><td>39</td> <td></td> </tr> </table>																52	14	13	12	11	10	9	8	7	6	5	4	3	2		26	25	24	23	22	21	20	19	18	17	16	15		51	38	37	36	35	34	33	32	31	30	29	28	27	1		50	49	48	47	46	45	44	43	42	41	40	39	
52	14	13	12	11	10																	9	8	7	6	5	4	3	2																																																
	26	25	24	23	22																	21	20	19	18	17	16	15																																																	
51	38	37	36	35	34																	33	32	31	30	29	28	27	1																																																
	50	49	48	47	46																	45	44	43	42	41	40	39																																																	
TOOL DES. REL.	N/A	160094-0002	0	B	ST GRY																																																																								
TOOL DES. REL.	12672854	160094-0003	0	C	BLUE																																																																								
TOOL DES. REL.	N/A	160094-0004	0	D	BROWN																																																																								
TOOL DES. REL.	N/A	160094-0005	0	E	GREEN																																																																								
TOOL DES. REL.	N/A	160094-0006	0	F	NATURAL																																																																								
TOOL DES. REL.	12672853	160094-0013	9	A	BLACK	<table border="1"> <tr> <td>52</td> <td>14</td><td>13</td><td>12</td><td>11</td><td>10</td><td>9</td><td>8</td><td>7</td><td>6</td><td>5</td><td>4</td><td>3</td> <td>2</td> </tr> <tr> <td></td> <td>26</td><td>25</td><td>24</td><td>23</td><td>22</td><td>21</td><td>20</td><td>19</td><td>18</td><td>17</td><td>16</td><td>15</td> <td></td> </tr> <tr> <td>51</td> <td>38</td><td>37</td><td>36</td><td>35</td><td>34</td><td>33</td><td>32</td><td>31</td><td>30</td><td>29</td><td>28</td><td>27</td> <td>1</td> </tr> <tr> <td></td> <td>50</td><td>49</td><td>48</td><td>47</td><td>46</td><td>45</td><td>44</td><td>43</td><td>42</td><td>41</td><td>40</td><td>39</td> <td></td> </tr> </table>																52	14	13	12	11	10	9	8	7	6	5	4	3	2		26	25	24	23	22	21	20	19	18	17	16	15		51	38	37	36	35	34	33	32	31	30	29	28	27	1		50	49	48	47	46	45	44	43	42	41	40	39	
52	14	13	12	11	10																	9	8	7	6	5	4	3	2																																																
	26	25	24	23	22																	21	20	19	18	17	16	15																																																	
51	38	37	36	35	34																	33	32	31	30	29	28	27	1																																																
	50	49	48	47	46																	45	44	43	42	41	40	39																																																	
TOOL DES. REL.	N/A	160094-0014	9	B	ST GRY																																																																								
TOOL DES. REL.	12672855	160094-0015	9	C	BLUE																																																																								
TOOL DES. REL.	N/A	160094-0016	9	D	BROWN																																																																								
TOOL DES. REL.	N/A	160094-0017	9	E	GREEN																																																																								
TOOL DES. REL.	N/A	160094-0018	9	F	NATURAL																																																																								
NA	NA	NA	NA	NA	NA	<table border="1"> <tr> <td colspan="16">73</td> </tr> </table>																73																																																							
73																																																																													
SALEABLE	NOT APPLICABLE	34566-2503	0	A	BLACK	72	71	69	68	67	66	64	63	62	59	56	53	50	48	46	44	43	42	39	36	35	33	32	30	29	27	23	20	17	73				14	13	12	11	9	8	5	4	3	2	1																												
SALEABLE	NOT APPLICABLE	34566-2603	0	B	ST GRY	49	48	47	67	66	65	44	59	57	55	53	49	48	47	29	28	23	21	35	33	73				65	59	57	55	53	7	5	4	3	2	1																																					
SALEABLE	NOT APPLICABLE	34566-2703	0	B	ST GRY	49	48	47	65	59	57	55	53	49	48	47	29	28	23	21	35	33	73				65	59	57	55	53	7	5	4	3	2	1																																								
SALEABLE	TBD	34566-2803	0	H	ST GRY																																																																								
SALEABLE	NOT APPLICABLE	34566-2903	0	A	BLACK	72	71	70	69	68	67	66	64	63	62	61	59	55	54	53	52	51	49	48	44	43	42	41	39	35	34	33	32	31	29	27	25	23	19	18	17	73				16	13	12	11	9	8	7	6	5	4	3	2	1																			
SALEABLE	NOT APPLICABLE	34566-3003	0	A	BLACK	72	71	70	69	68	67	66	64	63	62	60	59	58	57	56	55	54	53	52	51	50	49	48	47	46	44	43	42	41	40	39	38	37	36	35	34	33	32	31	30	29	28	27	25	24	23	22	21	20	19	18	17	73				16	15	14	13	12	11	9	8	7	6	5	4	3	2	1	
SALEABLE	NOT APPLICABLE	34566-3103	0	B	ST GRY	49	48	46	65	62	59	57	55	53	49	48	46	29	26	23	21	35	33	73				65	62	59	57	55	53	15	9	8	7	4	3	18																																					
SALEABLE	NOT APPLICABLE	34566-3203	0	B	ST GRY	50	49	48	67	60	59	58	57	56	55	53	50	49	48	29	26	23	21	35	34	33	73				67	60	59	58	57	56	55	53	16	15	14	29	23	22	21	20	19	18	17																												
SALEABLE	NOT APPLICABLE	34566-3303	0	B	ST GRY	50	49	48	65	62	59	57	56	55	53	50	49	48	29	26	23	21	35	34	33	73				65	62	59	57	56	55	53	16	15	14	29	23	22	21	20	19	18	17																														
SALEABLE	NOT APPLICABLE	34566-3403				SEE 34566-3003																																																																							
SALEABLE	NOT APPLICABLE	34566-3503	0	A	BLACK	72	71	69	68	67	66	64	63	62	60	59	35	33	52	49	48	46	44	43	42	40	39	24	23	17	73				32	29	27	24	23	14	13	12	11	9	8	7	6	5	4	3	2	1																									

MX123 52/66/73/80-WAY RECEPTACLE ASSY SEALED PIN OUT SHEET

STATUS	GM PART #	HRNS CONN ASSY			TPA	GROMMET CAP																				
		MATERIAL/PART	WIRE DRESS OPTION	KEY OPTION Fp	COLOR OPTION Fp	NUMBERS INDICATE CAVITIES OPEN FOR CIRCUITS																				
		NUMBER				Fp																				
SALEABLE	NOT APPLICABLE	34566-3603	0	B	ST GRY					68				64					59		57		55		53	
								49	48		46							39		37				35		33
						73				32			29						23		21					18
SALEABLE	NOT APPLICABLE	34566-3703	0	A	BLACK					68	67	66	65					59				55		53		
								49	48	47		44					39					35		33		
						73							29	28					23							
SALEABLE	NOT APPLICABLE	34566-3803	0	A	BLACK	72	71		69	68	67	66		64	63	62		59				56		53		
								50		48		46		44	43	42		39				36	35		33	
						73				32			30	29			27			23				20		17
SALEABLE	NOT APPLICABLE	34566-3903	0	B	ST GRY									65					59		57		55		53	
								49	48		46		44					39		37			35		33	
						73							29	28					24	23		21				
SALEABLE	NOT APPLICABLE	34566-4003	0	B	ST GRY						67	66		64	63			59		57		55		53		
								50	49	48				44	43			39		37			35		33	
						73				32			29					24	23		21					18
SALEABLE	NOT APPLICABLE	34566-4103	0	A	BLACK	72	71		69	68	67	66		64	63	62		59				56		53		
						52			49	48		46	45	44	43	42		40	39				35		33	
						73				32			29			27	26		24	23						17
SALEABLE	NOT APPLICABLE	34566-4203	0	B	ST GRY									64				59		57		55		53		
								50	49	48		46						39		37			35		33	
						73				32			29					24	23		21					18
SALEABLE	NOT APPLICABLE	34566-4303	0	A	BLACK			70	69	68	67		65	64	63		61		59	58	57	56				
								50	49	48	47					41			38	37	36			34	33	
						73				32	31	30	29	28	27			24	23			20	19	18		1
SALEABLE	NOT APPLICABLE	34566-4403	0	A	BLACK	72	71	70	69	68	67	66	65	64	63		61		59	58	57	56				
								50	49	48	47					41			38	37	36			34	33	
						73				32	31	30	29	28	27			24	23			20	19	18		
SALEABLE	NOT APPLICABLE	34566-4503	0	H	ST GRY		79	78	77	76	75	74	73	72	71	70	69	68		66	65	64	63		61	
						60	59	58	57	56				53			50						44	43		41
						40	39	38	37		35	34	33	32			30	29		27	26			24	23	22
SALEABLE	NOT APPLICABLE	34566-4603	0	H	ST GRY		79	78	77	76	75	74	73	72	71	70	69	68		66	65	64	63		61	
						60	59	58	57	56				53			50						44	43		41
						40	39	38	37		35	34	33	32			30	29		27	26			24	23	22
SALEABLE	NOT APPLICABLE	34566-4703	0	B	ST GRY						67	66	65	64				59	58	57		55		53		
								49	48	47		44					39	38	37		35		33			
						73							29						23	22	21					
SALEABLE	NOT APPLICABLE	34566-4803	0	A	BLACK	72	71		69	68	67	66		64	63	62	61		59					53		
									48				44		42	41		39					35		33	
						73				32			29			27		25		23						17
SALEABLE	NOT APPLICABLE	34566-4903	0	A	BLACK	72	71	70	69	68		66	65	64	63	62	61		59	58	57	56	55		53	
						52	51	50	49		47			44	43		41			38	37	36	35	34		33
						73				32	31	30	29	28	27			24	23			20	19	18	17	
SALEABLE	NOT APPLICABLE	34566-5003	0	H	ST GRY		79	78	77	76	75	74	73	72	71	70	69	68		66	65	64	63		61	
						60	59	58	57	56				53	52		50						44	43		41
						40	39	38	37		35	34	33	32			30	29		27	26			24	23	22

MX123 52/66/73/80-WAY RECEPTACLE ASSY SEALED PIN OUT SHEET

STATUS	GM PART #	HRNS CONN ASSY			TPA	GROMMET CAP																																			
		MATERIAL/PART	WIRE DRESS OPTION	KEY OPTION	COLOR	NUMBERS INDICATE CAVITIES OPEN FOR CIRCUITS																																			
		NUMBER		OPTION Fp	OPTION Fp	Fp																																			
SALEABLE	NOT APPLICABLE	34566-5103	0	B	ST GRY																		59		57			55			53										
																											39		37			35			33						
						73																						23		21											
SALEABLE	NOT APPLICABLE	34566-5203	0	A	BLACK	72	71		69	68	67	66		64	63	62								59	58	57	56			54	53										
						52	51	50	49	48	47	46		44	43	42										39	38	37	36	35	34	33									
						73																						32	31	30	29		27			24	23	22	21	20	19
SALEABLE	NOT APPLICABLE	34566-5303	0	B	ST GRY																																				
						73																																			
SALEABLE	NOT APPLICABLE	34566-5403	0	B	ST GRY																																				
						73																																			
SALEABLE	NOT APPLICABLE	34566-5503	0	A	BLACK	72	71		69	68	67	66		64	63	62								59	58	57	56	55			53										
						52			49	48		46		44	43	42																35	34	33							
						73																																			
SALEABLE	NOT APPLICABLE	34566-5603	SEE 34566-2503																																						
SALEABLE	NOT APPLICABLE	34566-5703	0	B	ST GRY																																				
						73																																			
SALEABLE	NOT APPLICABLE	34566-5803	0	B	ST GRY																																				
						73																																			
SALEABLE	NOT APPLICABLE	34566-5903	0	A	BLACK	72	71		69	68	67	66		64	63	62								59							53										
						73																																			
SALEABLE	NOT APPLICABLE	34566-6003	0	B	ST GRY																																				
						73																																			
SALEABLE	NOT APPLICABLE	34566-6103	0	B	ST GRY																																				
						73																																			
SALEABLE	NOT APPLICABLE	34566-6203	0	A	BLACK		71	70	69	68																															
						52	51	50	49																																
						73																																			
SALEABLE	NOT APPLICABLE	34566-6303	0	A	BLACK		71	70	69	68																															
						52	51	50	49																																
						73																																			
SALEABLE	NOT APPLICABLE	34566-6403	0	A	BLACK		71		69	68																															
						52		50	49																																
						73																																			
SALEABLE	NOT APPLICABLE	34566-6503	0	A	BLACK		71		69	68																															
						52		50	49																																
						73																																			

MX123 52/66/73/80-WAY RECEPTACLE ASSY SEALED PIN OUT SHEET

STATUS	GM PART #	HRNS CONN ASSY			TPA	GROMMET CAP																									
		MATERIAL/PART	WIRE DRESS OPTION	KEY OPTION ▽ Fp		COLOR OPTION ▽ Fp	NUMBERS INDICATE CAVITIES OPEN FOR CIRCUITS ▽ Fp																								
		NUMBER																													
SALEABLE	NOT APPLICABLE	34566-6603	0	H	ST GR		79	78	77	76	75	74	73	72	71	70	69	68		66	65	64	63		61						
						60	59	58	57	56			53	52		50						27	26				22	21			
						40	39	38	37		35	34	33	32		30	29				8		6	5			3	2			
						20	19	18	17	16				13	12																
SALEABLE	NOT APPLICABLE	34566-6703	0	H	ST GR		79	78	77	76	75	74	73	72	71	70	69	68		66	65	64	63		61						
						60	59	58	57	56			53			50								44	43						
						40	39	38	37		35	34	33	32		30	29														
						20	19	18	17			14	13	12		11	10	9	8				6	5			3	2			
SALEABLE	NOT APPLICABLE	34566-6803	0	B	ST GR								65							59	57		55		53						
									49	48		46		44								39		37		35		33			
															29	28									23		21				
																									7						
SALEABLE	NOT APPLICABLE	34566-6903	0	B	ST GR									64						59	57		55		53						
									49	48		46										39		37		35		33			
															29										23		21		18		
																									7						
SALEABLE	NOT APPLICABLE	34566-7003	0	B	ST GR						67	66							59	57	56	55		53							
								50	49	48	47										39		37	36	35		33				
																29								23		21		18	17		
																	15	13	12						8	7	6	5	4	3	
SALEABLE	NOT APPLICABLE	34566-7103	0	A	BLACK	72	71	70	69	68	67	66		64	63	62		60	59				55	54	53						
						52			49	48				44	43	42		40	39						35	34	33				
																29	28	27							24	23		19	18	17	
																				9	8	7	6	5	4	3	2	1			
SALEABLE	NOT APPLICABLE	34566-7203	0	B	ST GR	72	71	70	69	68	67	66	65	64	63	62		60	59				55	54	53						
						52			49	48				44	43	42		40	39						35	34	33				
																29		27							24	23		20	19	18	17
																	13	12	11		9	8	7	6	5	4	3	2	1		
SALEABLE	NOT APPLICABLE	34566-7303	0	B	ST GR				69	68		66							59				55		53						
									49	48		46		44								39		37		35		33			
																29	28								23		21		18	17	
																	12	11	10						7						
SALEABLE	NOT APPLICABLE	34566-7403	0	B	ST GR				50	49	48		46						59		57		55		53						
																						39		37		35		33			
																29									23		21				
																	15								7	6	5	4	3		
SALEABLE	NOT APPLICABLE	34566-7503	0	A	BLACK	72	71	70	69	68	67	66		64	63	62		60	59	58	57	56	55	54	53						
						52	51	50	49	48	47	46		44	43	42		40	39	38	37	36	35	34	33						
																29	28	27						24	23	22	21	20	19	18	17
																	16	15	14	13	12	11		9	8	7	6	5	4	3	2
SALEABLE	NOT APPLICABLE	34566-7603	0	B	ST GR				69	68		66							59				55		53						
									49	48		46		44								39		37		35		33			
																29	28								23		21		18	17	
																	12	11	10						7						
SALEABLE	NOT APPLICABLE	34566-7703	0	A	BLACK	72	71	70	69	68	67	66		64	63	62		60	59				55	54	53						
						52			49	48				44	43	42		40	39						35	34	33				
																29		27							24	23		19	18	17	
																	13	12	11		9	8	7	6	5	4	3	2	1		
SALEABLE	NOT APPLICABLE	34566-7803	0	A	BLACK	72	71	70		68		66		64	63	62	61	60	59				55	54	53						
						52			49	48		46		44	43	42		40	39						35	34	33				
																29	28	27							24	23		19	18	17	
																	16		14	13	12	11		9	8	7	6		3	2	1
SALEABLE	NOT APPLICABLE	34566-7903	0	B	ST GR									64			61		59		57		55		53						
																			42					39		35		33			
																									23			20	19		
																												4	3	2	1
SALEABLE	NOT APPLICABLE	34566-8003	0	A	BLACK				69	68			65	64	63		61	60	59	58		56									
						52			50	49	48	47							41			38	37	36		34	33				
																29	28	27							24	23		20	19	18	17
																	16			13	12	11	10	9							1



MX123 52/66/73/80-WAY RECEPTACLE ASSY SEALED PIN OUT SHEET

STATUS	GM PART #	HRNS CONN ASSY			TPA	GROMMET CAP																						
		MATERIAL/PART	WIRE DRESS OPTION	KEY OPTION Fp		COLOR OPTION Fp	NUMBERS INDICATE CAVITIES OPEN FOR CIRCUITS																					
		NUMBER					Fp																					
SALEABLE	NOT APPLICABLE	34566-8103	0	H	ST GRAY			78							72	71	70	69	68		66	65	64	63		61		
						60	59	58	57	56			53	52		50		29		27	26		24		22	21		
						40			37		35	34	33	32		30				8		6	5		3	2		
SALEABLE	NOT APPLICABLE	34566-8203	0	A	BLACK			70			67	66							58		56	55	54					
										47			44	43	42	41		39		37	36		34					
						73				31	30			27		25	24			21	20	19	18					
SALEABLE	NOT APPLICABLE	34566-8303	0	A	BLACK	72	71		69	68	67	66		64	63	62			59	58	57	56		54	53			
						52	51	50	49	48	47	46		44	43	42			39	38	37	36	35	34	33			
						73				32	31	30	29		27			24	23	22	21	20	19		17			
SALEABLE	NOT APPLICABLE	34566-8403	0	B	ST GRAY								65	64					59		57		55		53			
								50	49	48		46						39		37		35		33				
						73				32			29					24	23		21							
SALEABLE	NOT APPLICABLE	34566-8503	0	B	ST GRAY								65	64					59		57		55		53			
																		39		37		35		33				
						73				32			29					24	23		21							
SALEABLE	NOT APPLICABLE	34566-8603	0	A	BLACK	72	71	70	69	68	67	66	65	64	63	62		60	59				55	54	53			
						52			49	48				44	43	42			39				35	34	33			
						73				32			29					24	23				19	18	17			
SALEABLE	NOT APPLICABLE	34566-8703	0	B	ST GRAY				69	68		66		64				59		57		55		53				
								50	49	48	47		44				39		37		35		33					
						73				32			29	28				23		21								
SALEABLE	NOT APPLICABLE	34566-8803	0	B	ST GRAY					68	67	66	65				59	58	57			54	53					
							51	50	49	48		46	45		43	42		40	39	38	37						33	
						73				32	31	30				26		24	23	22		20						
SALEABLE	NOT APPLICABLE	34566-8903	0	H	ST GRAY			78							71	70	69	68	67	66	65	64	63		61			
								58	57	56			53	52		51	50		29		27	26		24		22	21	
						40			37		35	34	33	32		30			8		6	5		3	2	1		
SALEABLE	NOT APPLICABLE	34566-9003	0	B	ST GRAY				69	68		66		64				59		57		55		53				
								49	48		46		44				39		37		35		33					
						73				32			29	28				23		21								
SALEABLE	NOT APPLICABLE	34566-9103	0	A	BLACK					68			65		63		61		59	58		56		54	53			
						52	51	50			47					41			38	37	36	35	34	33				
						73				32	31	30	29	28	27		25	24	23	22	21	20	19	18	17			
SALEABLE	NOT APPLICABLE	34566-9203	0	A	BLACK	72	71	70	69	68	67	66		64	63	62		60	59				55	54	53			
						52			49	48				44	43	42		40	39	38			35	34	33			
						73				32			30	29	28	27		24	23		19	18	17					
SALEABLE	NOT APPLICABLE	34566-9303	0	A	BLACK																							
									69	68		66		64	63	62			59	58	57	56	55	54	53			
							51	50	49	48		46	45		43	42		41	40	39	38	37	36	35	34	33		
SALEABLE	NOT APPLICABLE	34566-9403	0	B	ST GRAY																							
									69	68		66		64	63	62			59	58	57	56	55	54	53			
							51	50	49	48		46	45		43	42		41	40	39	38	37	36	35	34	33		
SALEABLE	NOT APPLICABLE	34566-9503	0	A	BLACK																							
									69	68		66		64	63	62			59	58	57	56	55	54	53			
							51	50	49	48		46	45		43	42		41	40	39	38	37	36	35	34	33		

MX123 52/66/73/80-WAY RECEPTACLE ASSY SEALED PIN OUT SHEET

STATUS	GM PART #	HRNS CONN ASSY			TPA	GROMMET CAP																					
		MATERIAL/PART	WIRE DRESS OPTION	KEY OPTION Fp	COLOR OPTION Fp	NUMBERS INDICATE CAVITIES OPEN FOR CIRCUITS																					
		NUMBER				Fp																					
SALEABLE	NOT APPLICABLE	34566-9603	0	A	BLACK	52	71	70	69	68		66	65	64	63		61		59	58	57	56					
								50	49		47								41			38	37	36	35	34	33
						73			32	31	30	29	28	27					24	23				20	19	18	17
SALEABLE	NOT APPLICABLE	34566-9703	0	A	BLACK	72	71	70	69	68			65	64	63		61		59		57	56					
						52	51	50	49		47							41			38	37	36		34	33	
						73			32	31	30	29	28	27					24	23				20	19	18	
SALEABLE	NOT APPLICABLE	34566-9803	0	A	BLACK	72	71	70	69	68			65	64	63		61		59		57	56					
						52	51	50	49		47							41			38	37	36		34	33	
						73			32	31	30	29	28	27					24	23				20	19	18	
SALEABLE	NOT APPLICABLE	34566-9903	0	A	BLACK		71		69	68			65	64	63		61		59	58	57	56					
						52		50	49		47							41			38	37	36		34	33	
						73			32	31	30	29	28	27					24	23				20	19	18	17
SALEABLE	NOT APPLICABLE	34566-1013	0	A	BLACK		71		69	68			65	64	63		61		59	58	57	56					
						52		50	49		47							41			38	37	36		34	33	
						73			32	31	30	29	28	27					24	23				20	19	18	17
SALEABLE	NOT APPLICABLE	34566-1023	0	A	BLACK			70		68			66	65					58	57		55	54				
								50	49		47			44	43	42	41		39			37		35			
						73			32		30			27		25	24				21	20	19	18	17		
SALEABLE	NOT APPLICABLE	34566-1033	0	A	BLACK	72		70		68			66	65					58	57		55	54				
								50	49		47			44	43	42	41		39			37		35			
						73			32		30			27		26	25	24			21	20	19	18	17		
SALEABLE	NOT APPLICABLE	34566-1043	0	B	ST GRAY		71	70		68			66	65					59	58	57			54	53		
							51	50	49	48		46	45		43		41	40	39	38	37	36	35				
						73			32	31	30							24	23	22		20					
SALEABLE	NOT APPLICABLE	34566-1053	0	H	ST GRAY		79	78	77	76	75	74	73	72	71	70	69	68		66	65	64	63			61	
						60	59	58	57	56			53	52		50							44	43			
						40	39	38	37		35	34	33	32		30	29		27	26						22	21
SALEABLE	NOT APPLICABLE	34566-1063	0	B	ST GRAY								65				60	59		57	56	55		53			
									49	48	47			44				40	39		37	36	35				
						73						29	28					24	23		21						
SALEABLE	NOT APPLICABLE	34566-1073	0	A	BLACK	72	71	70	69	68	67	66	65	64	63		61		59	58	57	56			54		
								50	49	48	47							42	41		38	37	36		34	33	
						73			32	31	30	29	28	27	26			24	23				20	19	18		
SALEABLE	NOT APPLICABLE	34566-1083	0	B	ST GRAY					68	67	66	65	64				59	58	57		55	54	53			
							51	50	49	48		46	45		43	42	41	40	39	38	37		35				
						73			32	31	30			26		24	23	22		20							
SALEABLE	NOT APPLICABLE	34566-1093	0	A	BLACK			70		68	67	66						58		56	55	54					
									49		47			44	43	42	41		39		37	36		34			
						73				31	30			27		25	24			21	20	19	18				
SALEABLE	NOT APPLICABLE	34566-1123	0	H	ST GRAY			78						72	71	70	69	68	67	66	65	64	63		61		
								58	57	56			53	52	51	50							44	43			
						40			37		35	34	33	32		30	29		27	26						22	21
SALEABLE	NOT APPLICABLE	34566-1133	0	A	BLACK			70		68	67	66					61		58	57		55	54				
									49		47		45	44	43	42	41		39		37		34				
						73			32		30			27		25	24			21	20	19	18				

MX123 52/66/73/80-WAY RECEPTACLE ASSY SEALED PIN OUT SHEET

STATUS	GM PART #	HRNS CONN ASSY			TPA	GROMMET CAP																							
		MATERIAL/PART	WIRE DRESS OPTION	KEY OPTION Fp	COLOR OPTION Fp	NUMBERS INDICATE CAVITIES OPEN FOR CIRCUITS																							
		NUMBER				Fp																							
SALEABLE	NOT APPLICABLE	34566-1143	0	A	BLACK	52		50		68			65		63		61		59	58		56			53				
										47									41			38	37		36	35		34	33
						73			32	31	30	29	28	27		25	24	23	22	21	20	19	18	17				1	
SALEABLE	NOT APPLICABLE	34566-1153	0	A	BLACK			70				67	66	65						58	57		55						
								49				47			44	43	42	41		39		37							
						73			32		30			27		25	24	23		21	20	19	18				1		
SALEABLE	NOT APPLICABLE	34566-1163	0	H	ST GRAY			78						72	71	70	69	68		66	65	64	63		61				
						60	59	58	57	56			53	52		50								44	43		41		
						40			37		35	34		32		30	29		27	26							22	21	
SALEABLE	NOT APPLICABLE	34566-1173	0	A	BLACK	20	19	18	17	16			13	12				8		6	5		3	2					
						72	71		69	68			65	64	63	62	61	60	59	58		56		54		53			
						52		50	49	48	47		45			42	41		38	37	36		34	33					
SALEABLE	NOT APPLICABLE	34566-1183	0	B	ST GRAY	73			32	31	30	29	28	27	26		24	23		20	19	18	17						
SALEABLE	NOT APPLICABLE	34566-1193	0	A	BLACK				49	48	47			44		42				39		37		35					
						73							29	28					23		21								
SALEABLE	NOT APPLICABLE	34566-1213	0	A	BLACK	72	71		69	68	67	66		64	63	62		60	59					54	53				
						52			49	48		46		44	43	42			39							34	33		
						73			32			29		27				23											
SALEABLE	NOT APPLICABLE	34566-1223	0	B	ST GRAY	72	71		69	68	67	66		64	63	62		59						54	53				
						52			49	48		46		44	43	42			39							34	33		
						73			32			29		27				23											
SALEABLE	NOT APPLICABLE	34566-1233	0	B	ST GRAY																								
SALEABLE	NOT APPLICABLE	34566-1243	0	B	ST GRAY																								
SALEABLE	NOT APPLICABLE	34566-1253	9	B	ST GRAY																								
SALEABLE	NOT APPLICABLE	34566-1263	9	A	BLACK	NUMBERS IN BOLD MUST USE SAE WIRE MEETING SAE J1128, WIRE SIZE (NO.20) OR (NO.18 MAX. O.D. OF 2.06 MM) PER G.M. DRAWING NUMBER 12582682.																							
						72	71		69	68	67	66		64	63	62		59				56				53			
								50		48		46		44	43	42			39				36	35			33		
SALEABLE	NOT APPLICABLE	34566-1273	0	A	BLACK	73			32		30	29		27		24	23		20										
SALEABLE	NOT APPLICABLE	34566-1283	0	A	BLACK			70	69	68			65	64	63		61		59	58	57	56			54				
						52		50	49	48	47						41		38	37	36		34	33					
						73			32	31	30	29	28	27		24	23					20	19	18			1		

MX123 52/66/73/80-WAY RECEPTACLE ASSY SEALED PIN OUT SHEET

STATUS	GM PART #	HRNS CONN ASSY			TPA	GROMMET CAP																					
		MATERIAL/PART	WIRE DRESS OPTION	KEY OPTION Fp	COLOR OPTION Fp	NUMBERS INDICATE CAVITIES OPEN FOR CIRCUITS																					
		NUMBER				Fp																					
SALEABLE	NOT APPLICABLE	34566-1293	0	A	BLACK	52		50		68			65		63		61		59	58		56			34	33	
						73				32	31	30	29	28	27			24	23				20	19	18	17	
						73				16			13	12	11	10	9										
SALEABLE	NOT APPLICABLE	34566-1313	0	H	ST GRY	80		78						72	71	70	69	68		66	65	64	63		61		
								58	57	56	55	54	53								46		44	43	42		
						40			37		35				32		30	29		27	26						
SALEABLE	NOT APPLICABLE	34566-1323	0	A	BLACK	72	71	70	69	68	67	66	65	64	63	62		60	59	58	57	56	55	54	53		
						52	51	50	49	48	47	46	45	44	43	42	41	40	39	38	37	36	35	34	33		
						73				32	31	30	29	28	27			25	24	23	22	21	20	19	18	17	
SALEABLE	NOT APPLICABLE	34566-1333	0	A	BLACK			70	69	68			65	64				59	58		56						
						52		50	49		47					41				38	37	36			34		
						73				32	31	30	29	28	27					23			20	19	18	17	
SALEABLE	NOT APPLICABLE	34566-1343	0	A	BLACK																						
								70	69	68			65	64					59	58	57	56					
						52		50	49	48	47					41				38	37	36			34		
SALEABLE	NOT APPLICABLE	34566-1343	0	A	BLACK																						
								70	69	68			65	64					59	58	57	56					
						52		50	49	48	47					41				38	37	36			34		
SALEABLE	NOT APPLICABLE	34566-1353	0	H	ST GRY		79	78	77	76	75	74	73	72	71	70	69	68		66	65	64	63		61		
						60	59	58	57	56			53			50							44	43		41	
						40	39	38	37		35	34			32		30	29		27	26						22
SALEABLE	NOT APPLICABLE	34566-1363	0	A	BLACK	72	71		69	68	67	66		64	63	62			59							53	
										48	47								41								33
						73				32			29		27			24	23								17
SALEABLE	NOT APPLICABLE	34566-1373	0	B	ST GRY																						
						73							29			26			23		21						17
SALEABLE	NOT APPLICABLE	34566-1383	0	B	ST GRY																						
									49	48	47	46							59	58	57		55		53		
						73							29						23	22	21						17
SALEABLE	NOT APPLICABLE	34566-1393	0	A	BLACK			70			67	66				61			58	57		55	54				
											47		45	44	43	42	41		39		37			34			
						73				32		30			27		25	24			21	20	19	18			
SALEABLE	NOT APPLICABLE	34566-1423	0	B	ST GRY					68	67	66	65			61	60	59	58	57			54	53			
							51	50	49	48	47	46	45		43	42	41	40	39	38	37		35	34	33		
						73				32	31	30				26		24	23	22	21	20					
SALEABLE	NOT APPLICABLE	34566-1433	0	B	ST GRY																						
									49	48		46							59		57		55		53		
						73				32			29						23		21				18	17	
SALEABLE	NOT APPLICABLE	34566-1443	0	B	ST GRY				69	68		66						59		57		55	54				
									49	48		46							39		37		35	34	33		
						73							29						23		21					17	
SALEABLE	NOT APPLICABLE	34566-1453	0	B	ST GRY																						
									49	48	47								59		57		55		53		
						73							29	28		26			23		21						17
SALEABLE	NOT APPLICABLE	34566-1463	0	A	BLACK				69	68			65	64	63	62	61	60	59	58		56			34	33	
						52		50	49	48	47		45					41			38	37	36			34	33
						73				32	31	30	29	28	27			24	23				20	19	18	17	

MX123 52/66/73/80-WAY RECEPTACLE ASSY SEALED PIN OUT SHEET

STATUS	GM PART #	HRNS CONN ASSY			TPA	GROMMET CAP																					
		MATERIAL/PART	WIRE DRESS OPTION	KEY OPTION Fp	COLOR OPTION Fp	NUMBERS INDICATE CAVITIES OPEN FOR CIRCUITS																					
		NUMBER				Fp																					
SALEABLE	NOT APPLICABLE	34566-1473	0	A	BLACK	72	71		69	68	67	66		64	63	62			59					54	53		
						52			49	48		46		44	43	42			39							34	33
						73						32			29		27			24	23						
SALEABLE	NOT APPLICABLE	34566-1483	0	A	BLACK	72	71		69	68				65	64	63		61		59	58		56				
						52		50	49		47						41			38	37	36			34	33	
						73				32	31	30	29	28	27			24	23			20	19	18	17		
SALEABLE	NOT APPLICABLE	34566-1493	0	B	ST GRAY					68								59	58	57		55		53			
									49	48		46							39	38	37		35			33	
						73							29					23	22	21			18	17			
SALEABLE	NOT APPLICABLE	34566-1513	0	B	ST GRAY								65					59		57		55		53			
									49	48		46						39	37	36		35				33	
						73							29					23	21								17
SALEABLE	NOT APPLICABLE	34566-1523	0	A	BLACK			70	69	68			65	64				59	58		56		54				
						52		50	49		47					42	41			38	37	36		34			
						73				32	31	30	29	28	27	26			23			20	19	18	17		
SALEABLE	NOT APPLICABLE	34566-1533	0	A	BLACK		72	71	70	69	68																
						52	51	50	49		47								41			38	37	36		34	33
						73				32	31	30	29	28	27			24	23					20	19	18	17
SALEABLE	NOT APPLICABLE	34566-1543	0	B	ST GRAY					69	68							59		57		55		53			
									49	48		46						39		37		35				33	
						73							29					23	21								
SALEABLE	12582677	34566-1553	0	A	BLACK																						
						73																					
TOOL DESIGN SALEABLE	NOT APPLICABLE	34566-1563	9	A	BLACK																						
73																											
TOOL DESIGN SALEABLE	NOT APPLICABLE	34566-1573	9	H	ST GRAY																						
73																											
SALEABLE	NOT APPLICABLE	34566-1583	0	A	BLACK			70				67	66	65				61		58	57		55	54			
									49		47		45	44	43	42	41		39		37				34		
						73				32		30			27		25	24			21	20	19	18	17		
SALEABLE	NOT APPLICABLE	34566-1593	0	B	ST GRAY					67		65				61	60	59	58	57		54	53				
							51	50	49	48	47	46	45		43	42		40	39		37			34	33		
						73				32	31	30			26		24	23	22	21	20						
SALEABLE	NOT APPLICABLE	34566-1613	0	H	ST GRAY			79	78	77	76	75	74	73	72	71	70	69	68		66	65	64	63	61		
						60	59	58	57	56			53			50							44	43		41	
						40	39	38	37		35	34	33	32		30	29		27	26			24	23	22	21	
						20	19	18	17			14	13	12	11	10	9	8		6	5			3	2		
SALEABLE	NOT APPLICABLE	34566-1623	0	B	ST GRAY						66	65				62		59		57		55	53				
									48	47					42			39		37		35				33	
						73							29			26			23		21						17
SALEABLE	NOT APPLICABLE	34566-1633	0	B	ST GRAY					69	68		66					59		57		55	53				
								50		48	47							39		37		35				33	
						73							29			12	11	10			7	6	5	4	3		

MX123 52/66/73/80-WAY RECEPTACLE ASSY SEALED PIN OUT SHEET

STATUS	GM PART #	HRNS CONN ASSY			TPA	GROMMET CAP																						
		MATERIAL/PART	WIRE DRESS OPTION	KEY OPTION Fp	COLOR OPTION Fp	NUMBERS INDICATE CAVITIES OPEN FOR CIRCUITS																						
		NUMBER				Fp																						
SALEABLE	NOT APPLICABLE	34566-1643	0	B	ST GRY				69	68		66							59		57		55		53			
								50		48		46							39		37		35		33			
						73						29						23		21								17
SALEABLE	NOT APPLICABLE	34566-1653	0	B	ST GRY							66						59		57		55		53				
								50		48		46						39		37		35		33				
						73						29						23		21								17
SALEABLE	NOT APPLICABLE	34566-1663	0	B	ST GRY							66						59		57		55		53				
								50		48		46						39		37		35		33				
						73						29						23		21								17
SALEABLE	NOT APPLICABLE	34566-1673	0	A	BLACK	72	71	70	69	68	67	66	65	64	63	62		60	59					55	54	53		
						52			49	48			45	44	43	42	41	40	39							35	34	33
						73						29				27		25	24	23							19	18
SALEABLE	NOT APPLICABLE	34566-1683	0	B	ST GRY							67	66			63			59	58	57	56	55		53			
								50	49	48					43				39	38	37	36	35		33			
						73						29				27			23	22	21							
SALEABLE	NOT APPLICABLE	34566-1693	0	B	ST GRY							66		64				59		57		55		53				
								49	48		46							39		37		35		33				
						73						29						23		21								17
SALEABLE	NOT APPLICABLE	34566-1713	0	B	ST GRY		71	70		68		66	65	64	63		60	59	58	57	56	55	54	53				
							51	50	49	48		46	45		43		41	40	39	38	37	36	35		33			
						73						32	31	30				24	23	22		20	19					
SALEABLE	NOT APPLICABLE	34566-1723	0	B	ST GRY		71	70		68		66	65				60	59	58	57			54	53				
							51	50	49	48		46	45		43		41	40	39	38	37	36	35		33			
						73						32	31	30				24	23	22		20						
SALEABLE	NOT APPLICABLE	34566-1733	0	A	BLACK			70		68	67	66	65					58	57		55							
								49		47			44	43	42	41		39		37		35						
						73						32		30			27		25	24		21	20	19	18	17		
SALEABLE	NOT APPLICABLE	34566-1743	0	A	BLACK			70		67	66	65					58	57		55								
								49		47			44	43	42	41		39		37		35						
						73						32		30			27		25	24		21	20	19	18	17		
SALEABLE	NOT APPLICABLE	34566-1753	0	A	BLACK			70		67	66	65					58	57		55								
								49		47			44	43	42	41		39		37		35						
						73						32				27		25	24		21	20	19	18	17			
SALEABLE	NOT APPLICABLE	34566-1763	0	B	ST GRY					67		65				61	60	59	58	57			54	53				
							51	50	49	48	47	46	45		43		40	39		37		35			34	33		
						73						32	31	30				26	25	24	23	22	21	20				
SALEABLE	NOT APPLICABLE	34566-1773	0	C	BLUE	72		70				67	66			63	62			59		57			53			
						52	51					46		44		42		40	39							34	33	
						73								30			27	26	25			22	21	20				
SALEABLE	NOT APPLICABLE	34566-1783	0	C	BLUE					67	66				63	62			59		57			53				
						52	51	70				46		44		42		40	39							34	33	
						73								30			26	25			22	21	20					
SALEABLE	NOT APPLICABLE	34566-1793	0	A	BLACK				69							63	62	61		58	57	56	55	54	53			
						52	51		49				44	43	42	41				37	36	35	34	33				
						73						32			29	28	27	26								19	18	

MX123 52/66/73/80-WAY RECEPTACLE ASSY SEALED PIN OUT SHEET

STATUS	GM PART #	HRNS CONN ASSY			TPA	GROMMET CAP																					
		MATERIAL/PART	WIRE DRESS OPTION	KEY OPTION Fp	COLOR OPTION Fp	NUMBERS INDICATE CAVITIES OPEN FOR CIRCUITS																					
		NUMBER				Fp																					
SALEABLE	NOT APPLICABLE	34566-1813	0	B	ST GRAY	72	71	70		68	67	66				62	61	60	59	58	57	56	55	54	53		
						52	51	50		48	47	46				42	41	40	39	38	37	36	35	34	33		
						73				32	31	30	29	28	27	26	25	24	23								
SALEABLE	NOT APPLICABLE	34566-1823	0	A	BLACK	72	71	70	69	68		66	65	64			61		59	58		56		54	53		
						52		50	49		47					42	41			38	37	36		34	33		
						73				32	31	30	29	28	27	26		24	23	22	21	20	19	18	17		
SALEABLE	NOT APPLICABLE	34566-1833	0	A	BLACK					68		65		63		61		59	58		56						
						52		50			47					41			38	37	36		34	33			
						73				32	31	30	29	28	27		25	24	23			20	19	18	17		
SALEABLE	NOT APPLICABLE	34566-1843	0	A	BLACK					68		65		63		61		59	58		56						
						52		50			47					41			38	37	36		34	33			
						73				32	31	30	29	28	27		25	24	23			20	19	18	17		
SALEABLE	NOT APPLICABLE	34566-1853	0	A	BLACK			70	69	68	67		65		63		61	60			57	56	55	54	53		
						52		50	49	48	47			44	43		41	40			37	36	35	34	33		
						73						30	29	28			25	24			21	20	19	18	17		
SALEABLE	NOT APPLICABLE	34566-1863	0	B	ST GRAY					68	67		66	65	64	63											
												46	45		43												
						73				32		30	29	28	27												
SALEABLE	NOT APPLICABLE	34566-1873	0	C	BLUE	72		70			67	66			63	62			59		57				53		
						52	51					46		44		42		40	39							34	33
						73				32		30			27	26	25			22	21	20					
SALEABLE	NOT APPLICABLE	34566-1883	0	A	BLACK			70		68	67	66	65						58	57		55					
									49		47			44	43	42	41	40	39		37		35				
						73				32		30			27		25	24			21	20	19	18	17		
SALEABLE	NOT APPLICABLE	34566-1893	0	C	BLUE			70				66			63			59		57					53		
						52	51					46		44		42		40	39							34	33
						73				32		30			27	26	25			22	21	20					
SALEABLE	NOT APPLICABLE	34566-1913	0	B	ST GRAY	72		70		68		66					60	59					55	54	53		
						52		50		48		46					40	39						35	34	33	
						73				32	31	30	29	28	27	26	25	24									
SALEABLE	NOT APPLICABLE	34566-1923	0	A	BLACK				69						63				58		56	55	54	53			
						52	51		49					44	43	42	41					36	35	34	33		
						73				32				28		26							19	18			
SALEABLE	NOT APPLICABLE	34566-1933	0	A	BLACK			70			67	66	65					58	57		55						
									49		47			44	43	42	41	40	39		37		35				
						73				32		30			27		25	24			21	20	19	18	17		
SALEABLE	NOT APPLICABLE	34566-1943	0	A	BLACK			70			67	66	65					58	57		55						
							51		49		47			44	43	42	41	40	39		37		35				
						73				32		30			27		25	24			21	20	19	18	17		
SALEABLE	NOT APPLICABLE	34566-1953	0	C	BLUE			70				66			63			59		57					53		
						52	51			48	47	46		44		42		40	39							34	33
						73						30				26	25			22	21	20					
SALEABLE	NOT APPLICABLE	34566-1963	0	C	BLUE	72		70				66			63			59		57					53		
						52	51					46		44		42		40	39							34	33
						73						30				26	25			22	21	20					

MX123 52/66/73/80-WAY RECEPTACLE ASSY SEALED PIN OUT SHEET

STATUS	GM PART #	HRNS CONN ASSY			TPA	GROMMET CAP																							
		MATERIAL/PART	WIRE DRESS OPTION	KEY OPTION Fp	COLOR OPTION Fp	NUMBERS INDICATE CAVITIES OPEN FOR CIRCUITS																							
		NUMBER				Fp																							
SALEABLE	NOT APPLICABLE	34566-1973	0	A	BLACK	52	51		69														56	55	54	53			
									49						44	63	42	41								36	35	34	33
						73				32					28		26			23					21			19	18
SALEABLE	NOT APPLICABLE	34566-1983	0	B	ST GRAY																								
						73																							
SALEABLE	NOT APPLICABLE	34566-1993	0	C	BLUE																								
						73																							
SALEABLE	NOT APPLICABLE	34566-2013	0	A	BLACK		71	70					65					60	59	58	57				54	53			
							51	50	49	48		46	45		43		41	40	39		37	36	35					33	
						73				32	31	30						24	23	22		20							
SALEABLE	NOT APPLICABLE	34566-2023	0	A	BLACK			70		68	67	66	65							58	57				55				
									49		47			44	43	42	41		39		37		35						
						73				32		30				27		25	24			21	20	19	18	17			
SALEABLE	NOT APPLICABLE	34566-2033	0	A	BLACK		71	70					65	64				60	59	58	57				54	53			
							51	50	49	48		46	45		43		41	40	39		37	36	35					33	
						73				32	31	30						24	23	22		20							
SALEABLE	NOT APPLICABLE	34566-2043	0	A	BLACK			70			67	66	65						58	57				55					
									49		47			44	43	42	41		39		37		35						
						73				32		30				27		25	24			21	20	19	18	17			
SALEABLE	NOT APPLICABLE	34566-2053	0	B	ST GRAY			70		68	67	66	65						58	57				55					
									49		47			44	43	42	41		39		37		35						
						73				32		30				27		25	24	23		21	20	19	18				
SALEABLE	NOT APPLICABLE	34566-2063	0	H	ST GRAY			78						72	71	70	69	68		66	65	64	63		61				
								58	57	56			53	52		50							44	43			41		
						40			37		35	34			32		30	29		27	26						22	21	
SALEABLE	NOT APPLICABLE	34566-2073	0	H	ST GRAY			78						72	71	70	69	68		66	65	64	63		61				
								58	57	56			53	52		50							44	43			41		
						40			37		35	34			32		30	29		27	26						22	21	
SALEABLE	NOT APPLICABLE	34566-2083	0	H	ST GRAY			78						72	71	70	69	68	67	66	65	64	63		61				
								58	57	56			53	52	51	50							44	43			41		
						40			37		35	34			32		30	29		27	26						22	21	
SALEABLE	NOT APPLICABLE	34566-2093	0	A	BLACK					68			65		63		61		59	58			56						
								50			47					41			38	37	36					34	33		
						73				32	31	30	29	28	27		25	24	23			20	19	18	17				
SALEABLE	NOT APPLICABLE	34566-2113	0	H	ST GRAY		79	78	77	76	75	74	73	72	71	70	69	68		66	65	64	63		61				
							60	59	58	57	56	55		53	52		50						44	43	42	41			
						40	39	38	37		35	34	33	32		30	29		27	26							22	21	
SALEABLE	NOT APPLICABLE	34566-2123	0	H	ST GRAY			79	78	77	76	75	74	73	72	71	70	69	68		66	65	64	63		61			
								59	58	57	56	55		53	52		50						44	43	42	41			
						40	39	38	37		35	34	33	32		30	29		27	26							22	21	
SALEABLE	NOT APPLICABLE	34566-2133	0	B	ST GRAY		71	70					65	64				60	59	58	57			55	54	53			
							51	50	49	48		46	45		43		41	40	39		37	36	35					33	
						73				32	31	30						24	23	22		20							

MX123 52/66/73/80-WAY RECEPTACLE ASSY SEALED PIN OUT SHEET

STATUS	GM PART #	HRNS CONN ASSY			TPA	GROMMET CAP																				
		MATERIAL/PART	WIRE DRESS OPTION	KEY OPTION Fp	COLOR OPTION Fp	NUMBERS INDICATE CAVITIES OPEN FOR CIRCUITS																				
		NUMBER				Fp																				
SALEABLE	NOT APPLICABLE	34566-2143	0	B	ST GRAY	71	70					65				60	59	58	57			54	53			
						51	50	49	48		46	45		43		41	40	39		37	36	35			33	
						73			32	31	30					24	23	22		20						
SALEABLE	NOT APPLICABLE	34566-2153	0	A	BLACK			70		68	67	66	65					58	57		55					
								49		47			44	43	42	41		39		37						
						73			32		30			27		25	24	23		21	20	19	18			
SALEABLE	NOT APPLICABLE	34566-2163	0	A	BLACK			70			67	66				61		58		55	54					
								49		47		45	44	43	42	41		39		37			34			
						73			32					27		24			21	20	19	18	17			
SALEABLE	NOT APPLICABLE	34566-2173	0	A	BLACK			70			67	66	65			61		58		55	54					
								49		47		45	44	43	42	41		39		37			34			
						73			32		30			27		25	24		21	20	19	18	17			
SALEABLE	NOT APPLICABLE	34566-2183	0	A	BLACK			70			67	66					58	57		55						
								49		47			44	43	42	41		39		37						
						73			32					27		24			21	20	19	18	17			
SALEABLE	NOT APPLICABLE	34566-2193	0	A	BLACK			70			67	66	65				58	57		55						
								49		47			44	43	42	41		39		37			34			
						73			32		30			27		25	24		21	20	19	18	17			
SALEABLE	NOT APPLICABLE	34566-2213	9	H	ST GRAY		79	78	77	76	75	74	73	72	71	70	69	68		66	65	64	63		61	
						60	59	58	57	56			53			50							44	43		41
						40	39	38	37		35	34	33	32		30	29		27	26			24	23	22	21
SALEABLE	NOT APPLICABLE	34566-2223	0	A	BLACK	72	71	70	69	68	67	66		64	63	62		60	59			55	54	53		
						52			49	48		46		44	43	42		40	39				35	34	33	
						73			32			29		27		24	23					19	18	17		
SALEABLE	NOT APPLICABLE	34566-2233	0	A	BLACK				69						63				58		56	55	54	53		
						52	51	50	49				44	43	42	41						36	35	34	33	
						73			32				28		26								19	18		
SALEABLE	NOT APPLICABLE	34566-2243	0	H	ST GRAY		79	78	77	76	75	74	73	72	71	70	69	68		66	65	64	63		61	
						60	59	58	57	56			53	52		50							44	43		41
						40	39	38	37		35	34	33	32		30	29		27	26			24	23	22	21
SALEABLE	NOT APPLICABLE	34566-2253	0	A	BLACK	72	71	70	69	68		66	65	64	63		61		59	58		56	55	54	53	
						52		50	49		47				42	41			38	37	36		34	33		
						73			32	31	30	29	28	27	26		24	23	22	21	20	19	18	17		
SALEABLE	NOT APPLICABLE	34566-2263	0	A	BLACK				69						63				58		56	55	54	53		
						52	51	50	49				44	43	42	41						36	35	34	33	
						73			32				28		26								19	18		
SALEABLE	NOT APPLICABLE	34566-2273	0	A	BLACK				69						63	62	61		58	57	56	55	54	53		
						52	51	50	49				44	43	42	41					37	36	35	34	33	
						73			32			29	28	27	26								19	18		
SALEABLE	NOT APPLICABLE	34566-2283	0	B	ST GRAY				49	68	67	66	65	64	63						55					
									48		46	45	44	43												
						73			32		30	29	28	27												
SALEABLE	NOT APPLICABLE	34566-2293	0	C	BLUE	72		70		68		66			63				59		57			53		
						52	51			48	47	46		44		42		40	39					34	33	
						73					30				26	25			22	21						

MX123 52/66/73/80-WAY RECEPTACLE ASSY SEALED PIN OUT SHEET

STATUS	GM PART #	HRNS CONN ASSY			TPA	GROMMET CAP																									
		MATERIAL/PART	WIRE DRESS OPTION	KEY OPTION Fp	COLOR OPTION Fp	NUMBERS INDICATE CAVITIES OPEN FOR CIRCUITS																									
		NUMBER				Fp																									
SALEABLE	NOT APPLICABLE	34566-2313	0	C	BLUE	72		70				66			63			59		57								53			
						52	51					46		44		42		40	39			22	21							34	33
						73					30				26	25				6											
SALEABLE	NOT APPLICABLE	34566-2323	0	C	BLUE	72		70		68		66			63			59		57								53			
						52	51			48	47	46		44		42		40	39			22	21							34	33
						73					30				26	25				6			22	21	20						
SALEABLE	NOT APPLICABLE	34566-2333	0	A	BLACK		71		69	68			65	64	63			61		59		57	56								
						52		50	49			47					41		39	38	37	36								34	33
						73					32	31	30	29	28	27			24	23	22			20	19	18					
SALEABLE	NOT APPLICABLE	34566-2343	0	A	BLACK	72		70		68	67	66	65						58	57		55									
									49			47			44	43	42	41		39		37		35						34	33
						73					32		30			27		25	24			21	20	19	18	17					
SALEABLE	NOT APPLICABLE	34566-2353	0	A	BLACK				49																						
						72		70			67	66	65							58	57		55								
						73					32		30			27		25	24			21	20	19	18	17					
SALEABLE	NOT APPLICABLE	34566-2363	0	C	BLUE	72		70				66			63	62		59		57								53			
						52	51					46		44		42		40	39	38										34	33
						73					32		30			27	26	25			22	21	20								
SALEABLE	NOT APPLICABLE	34566-2373	0	B	ST GRAY					68	67	66	65	64			61	60	59	58	57		55	54	53						
							51	50	49	48	47	46	45		43	42	41	40	39	38	37		35	34	33						
						73					32	31	30			26		24	23	22	21	20									
SALEABLE	NOT APPLICABLE	34566-2383	0	B	ST GRAY								65																		
								50	49	48		46																			
						73							29					24	23		21										
SALEABLE	NOT APPLICABLE	34566-2393	0	B	ST GRAY																										
								50	49	48		46																			
						73							29																		
SALEABLE	NOT APPLICABLE	34566-2413	0	A	BLACK			70			67	66	65																		
									49			47			44	43	42	41		39		37		35							
						73					32		30			27		25	24			21	20	19	18	17					
SALEABLE	NOT APPLICABLE	34566-2423	0	A	BLACK										63																
						52	51		49					44	43	42	41														
						73					32				28		26														
SALEABLE	NOT APPLICABLE	34566-2433	0	A	BLACK				69						63																
						52	51		49					44	43	42	41														
						73					32				28		26														
SALEABLE	NOT APPLICABLE	34566-2443	0	C	BLUE	72		70		68		66			63			59		57								53			
						52	51			48	47	46		44			40	39												34	33
						73					32		30			26	25				22	21	20								
SALEABLE	NOT APPLICABLE	34566-2453	0	A	BLACK		71		69				65	64	63																
						52	51		49				45	44	43	42	41														
						73					32		30		28		26														
SALEABLE	NOT APPLICABLE	34566-2463	0	A	BLACK		71		69				65	64	63																
						52	51		49				45	44	43	42	41														
						73					32		30	29	28		26														

MX123 52/66/73/80-WAY RECEPTACLE ASSY SEALED PIN OUT SHEET

STATUS	GM PART #	HRNS CONN ASSY			TPA	GROMMET CAP																						
		MATERIAL/PART	WIRE DRESS OPTION	KEY OPTION Fp	COLOR OPTION Fp	NUMBERS INDICATE CAVITIES OPEN FOR CIRCUITS																						
		NUMBER				Fp																						
SALEABLE	NOT APPLICABLE	34566-2473	0	A	BLACK			70		68	67	66	65						58	57		55						
								49			47		30			44	43	42	41		39			35				
						73					32			15	14	13				27		25	24			21	20	19
SALEABLE	NOT APPLICABLE	34566-2483	0	A	BLACK				69							63	62	61			58	57	56	55	54	53		
						52	51		49						44	43	42	41					37	36	35	34	33	
						73					32					29	28	27	26					23				19
SALEABLE	NOT APPLICABLE	34566-2493 SAME AS P/N 34566-3863	0	B	ST GRAY	72	71	70		68	67	66					62	61	60	59	58	57	56	55	54	53		
						52	51	50		48	47	46					42	41	40	39	38	37	36	35	34	33		
						73					32	31	30	29	28	27	26	25	24									
SALEABLE	NOT APPLICABLE	34566-2513	0	C	BLUE	72		70		68	67	66				63	62			59		57				53		
						52	51			48	47	46			44		42		40	39							34	33
						73					32		30				27	26	25					22	21	20		
SALEABLE	NOT APPLICABLE	34566-2523	0	A	BLACK	72	71	70	69	68	67	66	65	64	63	62		60	59					55	54	53		
						52			49	48			45	44	43	42	41	40	39							35	34	33
						73					32				29	28	27		25	24	23						19	18
SALEABLE	NOT APPLICABLE	34566-2533	0	B	ST GRAY						67	66	65			63			59	58	57	56	55	54	53			
								50	49	48		46	45			43				39	38	37	36	35	34	33		
						73									29		27				23	22	21					18
SALEABLE	NOT APPLICABLE	34566-2543	0	C	BLUE	72		70				66			63			59		57						53		
						52	51					46		44		42		40	39								34	33
						73					32		30				27	26	25				22	21				
SALEABLE	NOT APPLICABLE	34566-2553	9	B	ST GRAY	72	71	70		68	67	66				62	61	60	59	58	57	56	55	54	53			
						52	51	50		48	47	46				42	41	40	39	38	37	36	35	34	33			
						73					32	31	30	29	28	27	26	25	24	23								
SALEABLE	NOT APPLICABLE	34566-2563	9	A	BLACK				69						63	62	61			58	57	56	55	54	53			
						52	51	50	49					44	43	42	41		39			37	36	35	34	33		
						73					32				29	28	27	26									19	18
SALEABLE	NOT APPLICABLE	34566-2573	9	C	BLUE	72		70			67	66			63	62			59		57					53		
						52	51					46		44		42		40	39								34	33
						73							30				27	26	25				22	21	20			
SALEABLE	NOT APPLICABLE	34566-2583	0	A	BLACK				69						63				58	57	56	55	54	53				
						52	51	50	49					44	43	42	41		39						36	35	34	33
						73					32				28		26										19	18
SALEABLE	NOT APPLICABLE	34566-2593	0	C	BLUE	72		70				66			63	62			59		57					53		
						52	51					46		44		42		40	39								34	33
						73					32		30				27	26	25				22	21				
SALEABLE	NOT APPLICABLE	34566-2613	9	C	BLUE	72		70			67	66			63	62			59		57					53		
						52	51					46		44		42		40	39								34	33
						73							30				27	26	25				22	21	20			
SALEABLE	NOT APPLICABLE	34566-2623	0	A	BLACK		71		69	68	67		65	64	63		61		59		57	56						
								50	49		47					41				38	37	36				34	33	
						73					32	31	30	29	28	27		24	23							20	19	18
SALEABLE	NOT APPLICABLE	34566-2633	0	A	BLACK		71		69	68	67		65	64			61		59		57	56						
								50	49		47					41				38	37	36					33	
						73					32	31	30	29	28	27		24	23							20	19	18

MX123 52/66/73/80-WAY RECEPTACLE ASSY SEALED PIN OUT SHEET

STATUS	GM PART #	HRNS CONN ASSY			TPA	GROMMET CAP																					
		MATERIAL/PART	WIRE DRESS OPTION	KEY OPTION Fp	COLOR OPTION Fp	NUMBERS INDICATE CAVITIES OPEN FOR CIRCUITS																					
		NUMBER				Fp																					
SALEABLE	NOT APPLICABLE	34566-2813	9	B	ST GRAY	72	71	70	69	68	67	66	65	64		62	61	60	59	58	57	56	55	54			
						52	51	50	49	48		46		44				40				37	36				
						73				32	31	30	29	28	27		25	24				21	20			18	
SALEABLE	NOT APPLICABLE	34566-2823	0	A	BLACK						67	66															
																41											
						73				32	31	30	29		27		25			22	21			19	18	17	
SALEABLE	NOT APPLICABLE	34566-2833	0	B	ST GRAY	72	71	70	69	68	67	66	65			61	60				57	56	55	54			
						52	51	50	49	48		46		44				40				37	36				
						73				32	31	30	29	28	27			24			21	20	19	18	17		
SALEABLE	NOT APPLICABLE	34566-2843	0	A	BLACK						67	66															
																41											
						73				32	31	30	29		27		25			22	21			19	18	17	
SALEABLE	NOT APPLICABLE	34566-2853	0	B	ST GRAY	72	71	70	69	68	67	66	65	64	63		61	60				57	56	55	54		
						52	51	50	49	48		46		44				40				37	36				
						73				32	31	30	29	28	27			24			21	20	19	18	17		
SALEABLE	NOT APPLICABLE	34566-2863	0	A	BLACK						67	66															
																41											
						73				32	31	30	29		27		25			22	21			19	18	17	
SALEABLE	NOT APPLICABLE	34566-2873	0	B	ST GRAY	72	71	70	69	68	67	66							59	58	57	56	55	54			
						52	51	50	49	48	47							40			39	38	37	36	35		33
						73					15					11	10		8		6	5	4	3			
SALEABLE	NOT APPLICABLE	34566-2883	0	A	BLACK			70	69						63	62	61			58	57	56	55	54	53		
						52	51		49				44	43	42	41						37	36			34	
						73				32			29	28	27	26									19	18	
SALEABLE	NOT APPLICABLE	34566-2893	0	A	BLACK				69		67	66	65		63			60			57	56		53			
									49		47	46		44	43			40				37	36	35		33	
						73					31	30	29	28				24			21	20					
SALEABLE	NOT APPLICABLE	34566-2913	0	B	ST GRAY					68	67			64					58								
												46	45									38					
						73				32		30	29	28	27					22							17
SALEABLE	NOT APPLICABLE	34566-2923	0	B	ST GRAY						15																
												46	45														
						73				32		30	29	28	27												17
SALEABLE	NOT APPLICABLE	34566-2933	0	A	BLACK	72			69		67	66	65		63			60			57	56		53			
									49		47		44	43			40					37	36	35		33	
						73					31	30	29	28				24			21	20					17
SALEABLE	NOT APPLICABLE	34566-2943	0	B	ST GRAY					68	67			64	63				59		57						
												46	45		43						39		37				
						73				32		30	29	28	27						21						
SALEABLE	NOT APPLICABLE	34566-2953	0	B	ST GRAY					68	67			64	63				59								
												46	45		43						39					34	
						73				32		30	29	28	27												
SALEABLE	NOT APPLICABLE	34566-2963	0	H	ST GRAY		79						74	73	72	71		69	68	67			64		62	61	
							59						54	53	52			49	48	47						42	41
								38					33						29	28	27			25			

MX123 52/66/73/80-WAY RECEPTACLE ASSY SEALED PIN OUT SHEET

STATUS	GM PART #	HRNS CONN ASSY			TPA	GROMMET CAP																					
		MATERIAL/PART	WIRE DRESS OPTION	KEY OPTION Fp	COLOR OPTION Fp	NUMBERS INDICATE CAVITIES OPEN FOR CIRCUITS																					
		NUMBER				Fp																					
SALEABLE	NOT APPLICABLE	34566-2973	0	G	BLUE	80		78	77		75	74	73	72		70	69		67		65	64	63	62			
						60		58	57		55	54		52	51	50	49		47		45						
						40		38	37				33	32	31				27	26	25	24					
						20		18	17								10	9	8		6	5			3	2	1
SALEABLE	NOT APPLICABLE	34566-9913	0	A	BLACK	72	71			68	67	66	65	64					59								
								50		48	47	46	45					40	39	38							
						73					31	30						25	24		22	21	20				17
												14						9	7	6	5	4			2	1	
SALEABLE	NOT APPLICABLE	34566-9923	0	A	BLACK	72	71				67	66				62	61	60			57			55	54		
							51			48		46	45	44	43	42			39						35		33
						73												26	25	24							
												15	14							8	7	6	5	4	3	2	
SALEABLE	NOT APPLICABLE	34566-9933	0	B	ST GRAY				69				65	64	63												
									49				45	44	43												
						73										12	11					22	21	20	19	18	17
																						6	5	4	3	2	1
SALEABLE	NOT APPLICABLE	34566-9943	0	C	BLUE		71		69				65	64			61	60			58		56	55	54		
								50	49			45		43		41					37	36	35				
						73					31		29	28				24	23					19	18	17	
												16		13	12	11				8	7				3	2	1
SALEABLE	NOT APPLICABLE	34566-9953	0	A	BLACK					67						62		60			57			55			
							51			48		46	45	44	43				39						35		
						73													25								
												15	14							7	6	5	4	3	2		
SALEABLE	NOT APPLICABLE	34566-9963	0	B	ST GRAY					68	67			64	63					58			55				
												46	45		43						38			35			
						73					32		30	29	28	27					22			19		17	
												15		13			10										1
SALEABLE	NOT APPLICABLE	34566-9973	0	B	ST GRAY					68	67			64	63					58							
												46	45		43						38						
						73					32		30	29	28	27					22					17	
												15		13			10										
SALEABLE	NOT APPLICABLE	34566-2983	9	A	BLACK				70	69					63	62	61			58	57	56	55	54	53		
						52	51		49					44	43	42	41					37	36		34		
						73					32		29	28	27	26									19	18	17
											16	15		13	12	11	10								3	2	1
SALEABLE	NOT APPLICABLE	34566-2993	9	B	ST GRAY	72	71	70		68	67	66				62	61	60	59	58	57	56	55	54	53		
						52	51	50		48	47	46				42	41	40	39	38	37	36	35	34	33		
						73					32	31	30	29	28	27	26	25	24								
											16	15	14	13			10	9	8								
SALEABLE	NOT APPLICABLE	34566-3013	9	C	BLUE	72	71	70	69	68	67	66			63	62			59		57	56	55		53		
						52	51					46		44		42		40	39	38						34	33
						73					32		30				26	25			22	21			19	18	
												15	14				10	9			6	5	4	3			
SALEABLE	NOT APPLICABLE	34566-3023	0	G	BLUE		79			76					71			68		66				61			
							59			56				53					30	29	28			44	43	42	41
							39			36	35	34													23	22	21
							19			16	15	14	13	12	11					7					4		
SALEABLE	NOT APPLICABLE	34566-3033	0	H	ST GRAY	80		78	77	76	75					70				66	65		63				
						60		58	57	56	55				51	50					46	45	44	43			
						40	39		37	36	35	34			32	31	30		28		26		24	23	22		
						20	19	18	17	16				13	12						6	5	4	3	2	1	
SALEABLE	NOT APPLICABLE	34566-3043	0	C	BLUE	72	71	70		68		66			63	62			59		57				53		
						52	51			48	47	46		44		42		40	39							34	33
						73					32		30			27	26	25			22	21	20				
												15	14	13			10	9			6	5	4				
SALEABLE	NOT APPLICABLE	34566-3053	0	C	BLUE	72		70		68		66			63	62			59		57				53		
						52	51			48	47	46		44		42		40	39	38						34	33
						73					32		30			27	26	25			22	21	20				
												15	14	13			10	9			6	5	4				

MX123 52/66/73/80-WAY RECEPTACLE ASSY SEALED PIN OUT SHEET

STATUS	GM PART #	HRNS CONN ASSY			TPA	GROMMET CAP																						
		MATERIAL/PART	WIRE DRESS OPTION	KEY OPTION Fp	COLOR OPTION Fp	NUMBERS INDICATE CAVITIES OPEN FOR CIRCUITS																						
		NUMBER				Fp																						
SALEABLE	NOT APPLICABLE	34566-3063	0	A	BLACK	52	71		69				65	64	63			60		58	57	56	55	54	53			
							51		49				45	44	43	42	41						37	36	35	34	33	
						73			32		30			28		26										19	18	
SALEABLE	NOT APPLICABLE	34566-3073	0	A	BLACK	52	71		69				65	64	63			60			57	56	55	54	53			
							51		49				45	44	43	42	41						37	36	35	34	33	
						73			32		30			28		26			23							19	18	
SALEABLE	NOT APPLICABLE	34566-3083	0	A	BLACK	52	71		69				65	64	63			60		58	57	56	55	54	53			
							51		49				45	44	43	42	41						37	36	35	34	33	
						73			32		30			28		26										19	18	
SALEABLE	NOT APPLICABLE	34566-3093	0	A	BLACK	52	71		69				65	64	63			60			57	56	55	54	53			
							51		49				45	44	43	42	41						37	36	35	34	33	
						73			32		30			28		26			23							19	18	
SALEABLE	NOT APPLICABLE	34566-3113	0	A	BLACK	52	71		69				65	64	63			60			57	56	55	54	53			
							51		49				45	44	43	42	41						37	36	35	34	33	
						73			32		30			28		26			23			21				19	18	
SALEABLE	NOT APPLICABLE	34566-3123	0	B	ST GRV	72		70				66					60	59					55	54	53			
						52		50				48	46					40	39						35	34	33	
						73			32	31	30	29	28	27	26	25	24											
SALEABLE	NOT APPLICABLE	34566-3133	0	C	BLUE	72		70		68	67	66			63	62			59		57				53			
						52	51			48	47	46		44		42		40	39							34	33	
						73			32		30				26	25			22	21	20							
SALEABLE	NOT APPLICABLE	34566-3143	0	C	BLUE	72		70				66			63	62			59		57				53			
						52	51					46		44		42		40	39							34	33	
						73			32		30				26	25			22	21								
SALEABLE	NOT APPLICABLE	34566-3153	0	A	BLACK	52	71		69						63				58			56		54				
							51		49				47			44	43	42	41					36		34		
						73			32					28		26										19	18	
SALEABLE	NOT APPLICABLE	34566-3163	0	C	BLUE	72		70							63	62			59		57	56	55		53			
						52	51					46		44		42		40	39						37	36	34	33
						73			32		30				26	25			22	21						19	18	
SALEABLE	NOT APPLICABLE	34566-3173	0	A	BLACK	52	71		69						63				58			56		54				
							51		49				47			44	43	42	41					36		34		
						73			32					28		26										19	18	17
SALEABLE	NOT APPLICABLE	34566-3183	0	C	BLUE	72		70				66			63	62			59		57	56	55		53			
						52	51					46		44		42		40	39							34	33	
						73			32		30				26	25			22	21								
SALEABLE	NOT APPLICABLE	34566-3193	0	A	BLACK	52	71		69						63				58			56	55	54	53			
							51		49						44	43	42	41						36	35	34	33	
						73			32					28		26										19	18	17
SALEABLE	NOT APPLICABLE	34566-3213	0	C	BLUE	72		70				67	66			63	62			59		56			53			
						52	51					46		44		42		40	39							34	33	
						73			32		30				26	25			22	21								
SALEABLE	NOT APPLICABLE	34566-3223	0	C	BLUE	72		70				67	66			63	62			59		57			53			
						52	51					46		44		42		40	39							34	33	
						73			32		30				27	26	25		22	21								

MX123 52/66/73/80-WAY RECEPTACLE ASSY SEALED PIN OUT SHEET

STATUS	GM PART #	HRNS CONN ASSY			TPA	GROMMET CAP																										
		MATERIAL/PART	WIRE DRESS OPTION	KEY OPTION Fp	COLOR OPTION Fp	NUMBERS INDICATE CAVITIES OPEN FOR CIRCUITS																										
		NUMBER				Fp																										
SALEABLE	NOT APPLICABLE	34566-3233	0	A	BLACK	70	69									63	62	61					58	57	56	55	54	53				
						52	51		49					44	43	42	41											36	35	34	33	
						73			32				29	28	27	26													19	18		
SALEABLE	NOT APPLICABLE	34566-3243	0	C	BLUE	72		70							66													53				
						52	51						46		44			42			40	39							34	33		
						73			32		30					26	25			22	21											
SALEABLE	NOT APPLICABLE	34566-3253	0	A	BLACK	70	69																					53				
						52	51		49					44	43	42	41											36	35	34	33	
						73			32					28		26													19	18		
SALEABLE	NOT APPLICABLE	34566-3263	0	C	BLUE	72		70							66													53				
						52	51						46		44			42			40	39							34	33		
						73			32		30					26	25			22	21							19	18			
SALEABLE	NOT APPLICABLE	34566-3273	0	A	BLACK	70	69																					53				
						52	51		49					44	43	42	41											36	35	34	33	
						73			32					28		26													19	18	17	
SALEABLE	NOT APPLICABLE	34566-3283	0	C	BLUE	72		70							66													53				
						52	51						46		44			42			40	39							34	33		
						73					30					26	25			22	21											
SALEABLE	NOT APPLICABLE	34566-3293	0	B	ST GRAY	72	71	70							68	67	66												53			
						52	51	50						48	47				42	41	40	39	38	37	36	35	34	33				
						73			32	31	30	29	28	27	26	25	24	23														
SALEABLE	NOT APPLICABLE	34566-3313	0	C	BLUE	72		70																				53				
						52	51						46		44			42			40	39							34	33		
						73			32		30					26	25			22	21											
SALEABLE	NOT APPLICABLE	34566-3323	0	B	ST GRAY										68	67	66	65	64	63								53				
									49					48		46	45	44	43											34	33	
						73			32		30	29	28	27																	17	
SALEABLE	NOT APPLICABLE	34566-3333	0	A	BLACK	72	71	70	69						68			65	64	63									53			
						52	51	50	49						47					42	41								36	35	34	33
						73			32	31	30	29	28	27	26			24	23										20	19	18	17
SALEABLE	NOT APPLICABLE	34566-3343	0	A	BLACK	72									67	66	65												53			
									49					47			44	43	42			40						37	36	35	34	33
						73					31	30	29	28		26			24										21	20		17
SALEABLE	NOT APPLICABLE	34566-3353	0	B	ST GRAY										68	67			64										53			
																														34	33	
						73			32		30	29	28	27																	17	
SALEABLE	NOT APPLICABLE	34566-3363	0	A	BLACK		71		69						68			65	64	63									53			
						52		50	49						47					42	41	40	39	38	37	36			34	33		
						73			32	31	30	29	28	27	26			24	23	22									20	19	18	17
SALEABLE	NOT APPLICABLE	34566-3373	9	C	BLUE	72		70							68	67	66												53			
						52	51							48	47	46			44			42		40	39	38				34	33	
						73			32		30					26	25			22	21								19	18		
SALEABLE	NOT APPLICABLE	34566-3383	0	A	BLACK			70	69						68			65	64	63									53			
						52		50	49						48	47				42	41							36	35	34	33	
						73			32	31	30	29	28	27	26			24	23										20	19	18	17

MX123 52/66/73/80-WAY RECEPTACLE ASSY SEALED PIN OUT SHEET

STATUS	GM PART #	HRNS CONN ASSY			TPA	GROMMET CAP																					
		MATERIAL/PART	WIRE DRESS OPTION	KEY OPTION Fp	COLOR OPTION Fp	NUMBERS INDICATE CAVITIES OPEN FOR CIRCUITS																					
		NUMBER				Fp																					
SALEABLE	NOT APPLICABLE	34566-3733	0	B	ST GRAY	72	71	70		68	67	66				62	61	60	59	58	57	56	55	54	53		
						52	51	50		48	47	46				42	41	40	39	38	37	36	35	34	33		
						73				32	31	30	29	28	27	26	25	24	23								
SALEABLE	NOT APPLICABLE	34566-3743	0	C	BLUE	72		70		68		66			63	62			59		57			53			
						52	51			48	47	46		44		42		40	39	38					34	33	
						73				32		30			27	26	25			22	21						
SALEABLE	NOT APPLICABLE	34566-3753	0	C	BLUE	72		70		68		66			63	62			59		57			53			
						52	51			48	47	46		44		42		40	39						34	33	
						73				32		30			27	26	25			22	21						
SALEABLE	NOT APPLICABLE	34566-3763	0	C	BLUE	72		70		68		66			63	62			59		57	56	55	54	53		
						52	51			48	47	46		44		42		40	39						34	33	
						73				32		30			27	26	25			22	21						
SALEABLE	NOT APPLICABLE	34566-3773	0	A	BLACK			70	69						63				58		56	55	54	53			
						52	51	50	49					44	43	42	41		39					36		34	
						73				32					28		26								19	18	
SALEABLE	NOT APPLICABLE	34566-3783	0	A	BLACK			70	69						63				58		56	55	54	53			
						52	51	50	49					44	43	42	41		39					36		34	
						73				32					28		26								19	18	17
SALEABLE	NOT APPLICABLE	34566-3793	0	A	BLACK		71	70						64	63			60		58	57	56	55	54	53		
						52	51		49				45	44	43	42	41				37	36			34		
						73				32		30			28		26		23		21				19	18	
SALEABLE	NOT APPLICABLE	34566-3813	0	C	BLUE	72		70		68		66			63	62			59		57			53			
						52	51			48	47	46		44		42		40	39	38	37	36			34	33	
						73				32		30			26	25	24			22	21	20					
SALEABLE	NOT APPLICABLE	34566-3823	0	A	BLACK			70	69						63		61			58	57	56	55	54	53		
						52	51		49					44	43		41				37	36			34		
						73				32					27	26									19	18	
SALEABLE	NOT APPLICABLE	34566-3833	0	A	BLACK			70	69						63	62	61			57	56	55	54	53			
						52	51		49					44	43	42	41				37	36			34		
						73				32			29	28	27	26			23						19	18	
SALEABLE	NOT APPLICABLE	34566-3843	0	A	BLACK	72	71	70	69	68	67	66			64	63	62		60	59				55	54	53	
						52			49	48				44	43	42	41	40	39						35	34	33
						73				32			29	28	27		25	24	23							19	18
SALEABLE	NOT APPLICABLE	34566-3853	0	A	BLACK	72	71	70	69	68	67	66	65	64	63	62		60	59					55	54	53	
						52			49	48			45	44	43	42	41	40	39						35	34	33
						73				32			29	28	27		25	24	23							19	18
SALEABLE	NOT APPLICABLE	34566-3863	0	B	ST GRAY	72	71	70		68	67	66				62	61	60	59	58	57	56	55	54	53		
						52	51	50		48	47	46				42	41	40	39	38	37	36	35	34	33		
						73				32	31	30	29	28	27	26	25	24									2
SALEABLE	NOT APPLICABLE	34566-3873	0	B	ST GRAY										63				59	58	57	56	55				
								50	49	48		46	45		43					39	38	37	36	35	34		
						73							29	27						23	22	21				18	
SALEABLE	NOT APPLICABLE	34566-3883	0	B	ST GRAY						67	66						59	58	57	56	55		53			
								50	49	48			45						39	38	37	36	35	34	33		
						73							29						23	22	21				18		

MX123 52/66/73/80-WAY RECEPTACLE ASSY SEALED PIN OUT SHEET

STATUS	GM PART #	HRNS CONN ASSY			TPA	GROMMET CAP																									
		MATERIAL/PART	WIRE DRESS OPTION	KEY OPTION Fp	COLOR OPTION Fp	NUMBERS INDICATE CAVITIES OPEN FOR CIRCUITS																									
		NUMBER				Fp																									
SALEABLE	NOT APPLICABLE	34566-4063	0	B	ST GRY					68	67			64					59	58					54						
SALEABLE	NOT APPLICABLE	34566-4073	0	A	BLACK	72			70					66			63	62			59		57	56	55		53				
						52	51						46		44		42		40	39			37	36			34	33			
SALEABLE	NOT APPLICABLE	34566-4083	0	C	BLUE	72			70					68				63	62			59	58	57			53				
						52	51						48	47			44		42		40	39	38	37	36			34	33		
SALEABLE	NOT APPLICABLE	34566-4093	0	A	BLACK		71	70	69					67			64	63			60			57	56	55	54	53			
						52	51		49				47		45	44	43	42	41												
SALEABLE	NOT APPLICABLE	34566-4113	0	B	ST GRY					68	67																				
SALEABLE	NOT APPLICABLE	34566-4123	9	A	BLACK	72				69				67	66	65		63			60			57	56			53			
									49				47	46		44	43	42		40											
SALEABLE	NOT APPLICABLE	34566-4133	9	B	ST GRY					68	67																				
SALEABLE	NOT APPLICABLE	34566-4143	0	B	ST GRY					68	67																				
SALEABLE	NOT APPLICABLE	34566-4153	0	B	ST GRY	72			70					68																	
						52		50					48		46		44														
SALEABLE	NOT APPLICABLE	34566-4163	0	B	ST GRY	72			70					68																	
						52		50					48		46																
SALEABLE	NOT APPLICABLE	34566-4173	0	A	BLACK	72	71	70	69								64	63													
						52	51		49				47		45	44	43	42	41												
SALEABLE	NOT APPLICABLE	34566-4183	0	C	BLUE	72			70					68				63	62			59	58	57				53			
						52	51						48	47	46		44		42		40	39								34	33
SALEABLE	NOT APPLICABLE	34566-4193	0	C	BLUE		71		69																						
								50	49																						
SALEABLE	NOT APPLICABLE	34566-4213	0	A	BLACK	72	71							68	67	66	65	64													
									50				48	47	46	45															
SALEABLE	NOT APPLICABLE	34566-4223	0	A	BLACK	72	71							68	67	66	65	64													
									50				48	47	46	45															

MX123 52/66/73/80-WAY RECEPTACLE ASSY SEALED PIN OUT SHEET

STATUS	GM PART #	HRNS CONN ASSY			TPA	GROMMET CAP																							
		MATERIAL/PART	WIRE DRESS OPTION	KEY OPTION Fp	COLOR OPTION Fp	NUMBERS INDICATE CAVITIES OPEN FOR CIRCUITS																							
		NUMBER				Fp																							
SALEABLE	NOT APPLICABLE	34566-4393	0	G	BLUE			78	77		75	74		72		70	69		67		65	64	63	62					
						60		58	57		55	54		52	51	50	49		47		45								
						40		38	37				33	32	31				27	26	25	24							
						20		18	17									10	9	8		6	5		3	2	1		
SALEABLE	NOT APPLICABLE	34566-4413	0	B	ST GRAY									63			59	58	57	56	55		53						
								50	49	48		46		43			39	38	37	36	35	34	33						
						73							29		27				23	22	21				18				
										16	15	14								7	6	5	4	3					
SALEABLE	NOT APPLICABLE	34566-4423	9	C	BLUE	72		70		68	67	66		63	62		59		57					53					
						52	51			48	47	46		44		42		40	39	38	37	36			34	33			
						73								32		30			27	26	25	24		22	21				
												15	14					10	9	8		6	5	4			2		
SALEABLE	NOT APPLICABLE	34566-4433	9	A	BLACK			70	69					63	62	61	60		58	57	56	55	54	53					
						52	51	50	49					44	43	42	41	40			37	36			34	33			
						73								32			29	28	27	26						19	18		
										16	15	14	13	12	11	10											3		
SALEABLE	NOT APPLICABLE	34566-4443	9	A	BLACK						67	66																	
										48	47						41												
						73								32	31	30	29		27	26	25		22	21		19	18	17	
										16	15	14	13															1	
SALEABLE	NOT APPLICABLE	34566-4453	0	A	BLACK	72	71	70	69					63	62	61	60	59	58	57	56	55	54	53					
						52	51	50	49	48		46	45	44	43	42	41	40	39	38	37	36	35	34	33				
						73										28				24	23					20			
															12	11											2	1	
SALEABLE	NOT APPLICABLE	34566-4463	9	B	ST GRAY									63										53					
										48	47		45		43	42		39						35	34	33			
						73												11									1		
SALEABLE	NOT APPLICABLE	34566-4473	0	B	ST GRAY								64	63	62		59	58						53					
												47		45		43	42		39						35	34	33		
						73													26	25		23	22						
																											3	1	
SALEABLE	NOT APPLICABLE	34566-4483	9	C	BLUE	72		70		68	67	66		63	62		59	58	57	56	55			53					
						52	51		49	48	47	46		44			40	39	38	37	36			34	33				
						73								32		30			27	26	25	24	23	22	21	20	19	18	17
												15	14	13				10	9	8	7	6	5	4	3	2	1		
SALEABLE	NOT APPLICABLE	34566-4493	9	A	BLACK	72	71	70	69				64	63	62	61	60	59	58	57	56	55	54	53					
						52	51	50	49	48	47		45	44	43	42	41	40	39		37	36			34				
						73								32		30	29	28	27	26		24	23		21		19	18	17
										16	15	14	13	12	11	10				8			5			3	2	1	
SALEABLE	NOT APPLICABLE	34566-4513	9	B	ST GRAY	72	71	70		68	67	66				62	61	60	59	58	57	56	55	54	53				
						52	51	50		48	47	46				42	41	40	39	38	37	36	35	34	33				
						73								32	31	30	29	28	27	26	25	24	23				19	18	17
										16	15	14	13					10		8	7					3	2	1	
SALEABLE	NOT APPLICABLE	34566-4523	0	G	BLUE			78	77		75	74		72		70	69		67		65	64	63	62					
						60		58	57		55	54		52	51	50	49		47		45								
						40		38	37									31			27	26	25	24					
						20		18	17									10	9	8		6	5		3	2	1		
SALEABLE	NOT APPLICABLE	34566-4533	0	A	BLACK	72			69		67		65		63		60			57	56				53				
									49		47			44	43			40			37	36	35			33			
						73										31	30	29	28			24			21	20		17	
										16	15	14	13				11	10					5	4	3	2	1		
SALEABLE	NOT APPLICABLE	34566-4543	0	B	ST GRAY					68	67			64	63			58	57		55			53					
												46	45		43					38	37			35					
						73								32		30	29	28	27							19		17	
															12			10										1	
SALEABLE	NOT APPLICABLE	34566-4553	0	B	ST GRAY					68	67			64	63			58	57					53					
												46	45		43					38	37								
						73								32		30	29	28	27							22	21		17
																		12											

MX123 52/66/73/80-WAY RECEPTACLE ASSY SEALED PIN OUT SHEET

STATUS	GM PART #	HRNS CONN ASSY			TPA	GROMMET CAP																							
		MATERIAL/PART	WIRE DRESS OPTION	KEY OPTION		NUMBERS INDICATE CAVITIES OPEN FOR CIRCUITS																							
		NUMBER		Fp	Fp																								
SALEABLE	NOT APPLICABLE	34566-4563	0	B	ST GRY					68	67			64	63					58				55			53		
												46	45			43						38					35		
						73						32		30	29	28	27						22					19	
SALEABLE	NOT APPLICABLE	34566-4573	0	B	ST GRY					68	67			64	63					58						53			
														46	45			43						38					
						73						32		30	29	28	27						22						17
SALEABLE	NOT APPLICABLE	34566-4583	0	B	ST GRY					68	67			64						58						53			
														46	45									38					
						73						32		30	29	28	27						22						17
SALEABLE	NOT APPLICABLE	34566-4593	0	B	ST GRY					68	67			64						58						53			
														46	45									38					
						73						32		30	29	28	27						22						17
SALEABLE	NOT APPLICABLE	34566-4613	0	A	BLACK	72			69			67	66	65		63			60			57	56				53		
									49			47			44	43	42		40				37	36	35				33
						73								31	30	29	28	27	26		24			21	20				
SALEABLE	NOT APPLICABLE	34566-4623	0	B	ST GRY	72		70				68		66				60	59						55	54	53		
						52		50				48		46					40	39						35	34	33	
						73						32	31	30	29	28	27	26	25	24	23								
SALEABLE	NOT APPLICABLE	34566-4633	0	A	BLACK		71	70	69					64	63			60	59	58		56	55	54	53				
						52	51		49			47		45	44	43	42	41				38		36		34			
						73						32		30		28		26					21		19	18			
SALEABLE	NOT APPLICABLE	34566-4643	0	B	ST GRY			70				68		66				60	59					55	54	53			
						52		50				48		46					40	39					35	34	33		
						73						32	31	30	29	28	27	26	25	24	23								17
SALEABLE	NOT APPLICABLE	34566-4653	0	A	BLACK		71	70	69					64	63			60	59	58		56	55	54	53				
						52	51		49			47		45	44	43	42	41				38		36		34			
						73						32		30		28		26					21		19	18			
SALEABLE	NOT APPLICABLE	34566-4663	0	A	BLACK			70				68		66				60	59	58		56	55	54	53				
						52	51		49			47		45	44	43	42	41				38		36		34			
						73						32		30		28		26					21		19	18			
SALEABLE	NOT APPLICABLE	34566-4673	0	A	BLACK							67	66																
												47						41											
						73						32	31	30	29		27	26	25			22	21		19	18	17		
SALEABLE	NOT APPLICABLE	34566-4683	9	B	ST GRY	72	71	70	69	68	67	66	65	64		62	61	60	59	58	57	56	55	54					
						52	51	50	49			46		44			41	40		38	37	36							
						73						32	31	30	29	28	27		25	24		21	20		18	17			
SALEABLE	NOT APPLICABLE	34566-4693	0	B	ST GRY			70				68		66				61	60			57	56	55	54				
						52	51	50	49			48		46		44			41	40		38	37	36					
						73						32	31	30	29	28	27		24			21	20	19	18	17			
SALEABLE	NOT APPLICABLE	34566-4713	0	A	BLACK		71	70	69			67			64	63			60	59			56	55	54	53			
						52	51		49			47		45	44	43	42	41				38		36		34			
						73						32		30		28		26					23		19	18			
SALEABLE	NOT APPLICABLE	34566-4723	0	A	BLACK		71	70	69					64	63			60	59	58		56	55	54	53				
						52	51		49			47		45	44	43	42	41					36		34				
						73						32		30		28		26						19	18				

MX123 52/66/73/80-WAY RECEPTACLE ASSY SEALED PIN OUT SHEET

STATUS	GM PART #	HRNS CONN ASSY			TPA	GROMMET CAP																						
		MATERIAL/PART	WIRE DRESS OPTION	KEY OPTION Fp	COLOR OPTION Fp	NUMBERS INDICATE CAVITIES OPEN FOR CIRCUITS																						
		NUMBER				Fp																						
SALEABLE	NOT APPLICABLE	34566-4733	0	A	BLACK	72	71	70	69					64	63			60	59	58		56	55	54	53			
						52	51		49		47		45	44	43	42	41						21		36		19	18
						73				32		30		28		26							8		5		3	
SALEABLE	NOT APPLICABLE	34566-4743	9	A	BLACK	72	71	70	69		67		65	64	63	62	61	60	59	58	57	56	55	54	53			
						52	51	50	49	48	47		45	44	43	42	41	40	39		37	36				34		
						73				32		30	29	28	27	26		24	23		21				19	18	17	
SALEABLE	NOT APPLICABLE	34566-4753	0	B	ST GRY					68	67			64						58								
											46	45										38						
						73				32		30	29	28	27						22							17
SALEABLE	NOT APPLICABLE	34566-4763	0	B	ST GRY					68	67			64														
											46	45																
						73				32		30	29	28	27													17
SALEABLE	NOT APPLICABLE	34566-4773	0	B	ST GRY					68	67			64				59	58					54				
											46	45							39	38								
						73				32		30	29	28	27				23	22								17
SALEABLE	NOT APPLICABLE	34566-4783	0	B	ST GRY					68	67			64	63					58				55				
											46	45		43							38					35		
						73				32		30	29	28	27						22						19	17
SALEABLE	NOT APPLICABLE	34566-4793	0	B	ST GRY					68	67			64	63					58								
											46	45		43							38							
						73				32		30	29	28	27				10									17
SALEABLE	NOT APPLICABLE	34566-4813	9	B	ST GRY					68	67			64				59	58					54				
											46	45							39	38								
						73				32		30	29	28	27				10	9	8		6					17
SALEABLE	NOT APPLICABLE	34566-4823	0	C	BLUE			51	50	49	48	67	66	65	64			59	58	57		55	54	53				
											46	45		43	42	41	40	39	38	37			20				33	
						73				32	31	30				26		24	23	22								
SALEABLE	NOT APPLICABLE	34566-4833	0	C	BLUE	72			70		68	67	66		63	62			59		57				53			
						52	51			48	47	46		44		42		40	39		37	36				34	33	
						73				32		30			27	26	25	24		22	21							
SALEABLE	NOT APPLICABLE	34566-4843	0	C	BLUE	72			70		68	67	66		63	62			59		57				53			
						52	51			48	47	46		44		42		40	39	38	37	36				34	33	
						73				32		30			27	26	25	24		22	21							
SALEABLE	NOT APPLICABLE	34566-4853	0	C	BLUE	72			70		68		66		63	62			59		57	56	55		53			
						52	51			48	47	46		44		42		40	39		37	36				34	33	
						73				32		30			27	26	25	24		22	21				19	18		
SALEABLE	NOT APPLICABLE	34566-4863	0	C	BLUE	72			70		68		66		63	62			59		57				53			
						52	51			48	47	46		44		42		40	39	38	37	36				34	33	
						73				32		30			27	26	25	24		22	21							
SALEABLE	NOT APPLICABLE	34566-4873	0	C	BLUE	72			70		68		66		63	62			59		57				53			
						52	51			48	47	46		44		42		40	39		37	36				34	33	
						73				32		30			27	26	25	24		22	21							
SALEABLE	NOT APPLICABLE	34566-4883	9	A	BLACK	72				69		67		65		63			60		57	56			53			
									49		47	46		44	43			40			37	36	35				33	
						73				32		30	29	28				24			21	20						17

MX123 52/66/73/80-WAY RECEPTACLE ASSY SEALED PIN OUT SHEET

STATUS	GM PART #	HRNS CONN ASSY			TPA	GROMMET CAP																									
		MATERIAL/PART	WIRE DRESS OPTION	KEY OPTION Fp	COLOR OPTION Fp	NUMBERS INDICATE CAVITIES OPEN FOR CIRCUITS																									
		NUMBER				Fp																									
SALEABLE	NOT APPLICABLE	34566-4893	9	B	ST GRAY					68	67			64	63					58			55								
SALEABLE	NOT APPLICABLE	34566-4913	9	B	ST GRAY					68	67			64	63					58	57		55		53						
SALEABLE	NOT APPLICABLE	34566-4923	9	A	BLACK	72			69		67		65		63		60		57	56					53						
									49		47		44	43		40		37	36	35								33			
SALEABLE	NOT APPLICABLE	34566-4933	0	C	BLUE	72			70		68	67	66		63	62		59	57							53					
						52	51				48	47	46		44		40	39		37	36	35	34	33							
SALEABLE	NOT APPLICABLE	34566-4943	0	A	BLACK			70	69	68	67				63	62	61	60	59	58	57	56	55	54	53						
						52	51	50	49					44	43	42	41		39	38	37	36						34			
SALEABLE	NOT APPLICABLE	34566-4953	0	B	ST GRAY	72	71	70	69	68	67	66	65	64	63				59							53					
						52	51	50	49	48	47	46	45	44	43				39									34			
SALEABLE	NOT APPLICABLE	34566-4963	9	A	BLACK	72			69		67	66	65		63		60		57	56						53					
									49		47	46		44	43	42	41		40		37	36	35					33			
SALEABLE	NOT APPLICABLE	34566-4973	9	B	ST GRAY					68	67			64					59	58					54						
SALEABLE	NOT APPLICABLE	34566-4983	0	B	ST GRAY	72		70		68		66					60	59							55	54	53				
						52		50		48		46		44		40	39											35	34	33	
SALEABLE	NOT APPLICABLE	34566-4993	0	A	BLACK	72	71	70	69		67			64	63		60	59								56	55	54	53		
						52	51		49		47		45	44	43	42	41													36	34
SALEABLE	NOT APPLICABLE	34566-5013	9	B	ST GRAY					68	67			64	63			59	58							55	54				
SALEABLE	NOT APPLICABLE	34566-5023	0	C	BLUE	72		70		68	67			63	62		59	57									53				
						52	51			48	47	46		44		42	40	39		37	36								34	33	
SALEABLE	NOT APPLICABLE	34566-5033	0	A	BLACK			70	69					63	62	61	60		58	57	56	55	54	53							
						52	51		49					44	43	42	41														
SALEABLE	NOT APPLICABLE	34566-5043	0	A	BLACK																										
SALEABLE	NOT APPLICABLE	34566-5053	0	B	ST GRAY																										

MX123 52/66/73/80-WAY RECEPTACLE ASSY SEALED PIN OUT SHEET

STATUS	GM PART #	HRNS CONN ASSY			TPA	GROMMET CAP																						
		MATERIAL/PART	WIRE DRESS OPTION	KEY OPTION Fp	COLOR OPTION Fp	NUMBERS INDICATE CAVITIES OPEN FOR CIRCUITS																						
		NUMBER				Fp																						
SALEABLE	NOT APPLICABLE	34566-5233	0	C	BLUE	72		70		68	67	66			63	62			59		57	56	55		53			
						52	51			48	47	46		44		42		40	39	38		22	21		19	18	34	33
						73						32		30				26	25			6	5	4	3			
SALEABLE	NOT APPLICABLE	34566-5243	0	C	BLUE	72	71	70	69	68	67	66	65		63	62	61		59	58	57	56	55	54	53			
							51	50	49	48		46	45	44	43	42	41	40	39	38		36	35	34	33			
						73						31	30	29	28	27	26	25			22	21	20	19	18	17		
SALEABLE	NOT APPLICABLE	34566-5253	0	B	ST GRAY						67	66			63			59	58	57	56	55		53				
								50	49	48		46	45		43			39	38	37	36	35	34	33				
						73								29	27				23	22	21			18				
SALEABLE	NOT APPLICABLE	34566-5263	0	B	ST GRAY							66			63			59	58	57	56	55		53				
												46	45		43			39	38	37	36	35	34	33				
						73						16	15	14	13				8	7	6	5	4	3				
SALEABLE	NOT APPLICABLE	34566-5273	0	A	BLACK			70	69						63	62	61	60		58	57	56	55	54	53			
						52	51		49					44	43	42	41				37	36		34				
						73						32			29	28	27	26			23				19	18		
SALEABLE	NOT APPLICABLE	34566-5283	0	C	BLUE			70		68	67	66			63	62			59		57	56	55	54	53			
						52	51			48	47	46		44		42		40	39						34	33		
						73						32		30				26	25			22	21		19	18		
SALEABLE	NOT APPLICABLE	34566-5293	0	A	BLACK			70	69						63	62	61	60		58	57	56	55	54	53			
						52	51		49					44	43	42	41	40			37	36		34				
						73						32			29	28	27	26					19	18	17			
SALEABLE	NOT APPLICABLE	34566-5313	0	C	BLUE			70		68	67	66			63	62			59		57	56	55		53			
						52	51			48	47	46		44		42		40	39	38	37	36		34	33			
						73						32		30			27	26	25	24		22	21		19	18		
SALEABLE	NOT APPLICABLE	34566-5323	0	G	BLUE	80		78	77		75	74	73	72		70	69		67		65	64	63	62				
						60		58	57		55	54		52	51	50	49		47		45							
						40		38	37					33	32	31			27	26	25	24						
SALEABLE	NOT APPLICABLE	34566-5333	0	A	BLACK			70	69						63	62	61	60		58	57	56	55	54	53			
						52	51		49					44	43	42	41	40			37	36		34				
						73						32			29	28	27	26					19	18	17			
SALEABLE	NOT APPLICABLE	34566-5343	0	B	ST GRAY					68	67			64			59	58						54				
												46	45					39	38									
						73						32		30	29	28	27			23	22						17	
SALEABLE	NOT APPLICABLE	34566-5353	9	B	ST GRAY					68	67			64	63			59	58			55	54					
												46	45	44	43			39	38			35	34					
						73						32		30	29	28	27			23	22			19			17	
SALEABLE	NOT APPLICABLE	34566-5363	0	C	BLUE			70		68		66			63	62			59		57			53				
						52	51			48	47	46		44		42		40	39	38					34	33		
						73						32		30				26	25			22	21					
SALEABLE	NOT APPLICABLE	34566-5373	0	C	BLUE			70		68		66			63	62			59		57			53				
						52	51			48	47	46		44		42		40	39						34	33		
						73						32		30				26	25			22	21					
SALEABLE	NOT APPLICABLE	34566-5383	0	C	BLUE			70		68		66			63	62			59		57			53				
						52	51			48	47	46		44		42		40	39			37	36		34	33		
						73						32		30				26	25	24		22	21				2	

MX123 52/66/73/80-WAY RECEPTACLE ASSY SEALED PIN OUT SHEET

STATUS	GM PART #	HRNS CONN ASSY			TPA	GROMMET CAP																						
		MATERIAL/PART	WIRE DRESS OPTION	KEY OPTION Fp		COLOR OPTION Fp	NUMBERS INDICATE CAVITIES OPEN FOR CIRCUITS																					
		NUMBER					Fp																					
SALEABLE	NOT APPLICABLE	34566-5393	0	A	BLACK				70	69											56	55	54	53				
						52	51		49					44	43	42	41						36			34		
						73				32				28		26			23			21			19	18		
SALEABLE	NOT APPLICABLE	34566-5413	0	A	BLACK				70	69											56	55	54	53				
						52	51		49					44	43	42	41						36			34		
						73				32				28		26			23			21			19	18		
SALEABLE	NOT APPLICABLE	34566-5423	0	A	BLACK				70	69											56	55	54	53				
						52	51		49					44	43	42	41						36			34		
						73				32				28		26			23			21			19	18		
SALEABLE	NOT APPLICABLE	34566-5433	9	B	ST GRY						68	67			64					59	58			54				
												46	45							39	38							
						73				32			30	29	28	27			23	22							17	
SALEABLE	NOT APPLICABLE	34566-5443	9	B	ST GRY						68	67			64					59	58			54				
												46	45							39	38							
						73				32			30	29	28	27			23	22							17	
SALEABLE	NOT APPLICABLE	34566-5453	0	B	ST GRY						68	67			64					59	58			54				
												46	45							39	38							
						73				32			30	29	28	27			23	22							17	
SALEABLE	NOT APPLICABLE	34566-5463	0	A	BLACK				70																			
						52			49								41											
						73				16	15	14		12		10				6								
SALEABLE	NOT APPLICABLE	34566-5473	0	A	BLACK	72			70		68	67	66	65	64	63	62		60	59			56		53			
						52	51			48	47	46	45	44	43	42	41	40										
						73				16	15	14		12	11	10				6							20	19
SALEABLE	NOT APPLICABLE	34566-5483	0	B	ST GRY	72			70		68		66		64	63		60	59					55	54	53		
						52		50		48		46					40	39								35	34	33
						73				32	31	30	29	28	27	26	25	24					20					
SALEABLE	NOT APPLICABLE	34566-5493	0	A	BLACK				70	69																		
						52	51		49					44	43	42	41	40										
						73				32				28		26											19	18
SALEABLE	NOT APPLICABLE	34566-5513	9	B	ST GRY						68	67			64	63				58			55					
												46	45			43						38			35			
						73				32			30	29	28	27			22								19	
SALEABLE	NOT APPLICABLE	34566-5523	9	A	BLACK	72				69		67	66	65		63			60			57	56			53		
									49					44	43	42		40					37	36	35			33
						73				16	15	14	13		11	10							5	4	3	2	1	
SALEABLE	NOT APPLICABLE	34566-5533	9	B	ST GRY						68	67			64					59	58			54				
												46	45									39	38					
						73				32			30	29	28	27			23	22								17
SALEABLE	NOT APPLICABLE	34566-5543	9	A	BLACK						68	67			64					59	58			54				
												46	45										39	38				
						73				32			30	29	28	27			23	22								17
SALEABLE	NOT APPLICABLE	34566-5553	9	B	ST GRY						68	67			64					59	58			54				
												46	45										39	38				
						73				32			30	29	28	27			23	22								17

MX123 52/66/73/80-WAY RECEPTACLE ASSY SEALED PIN OUT SHEET

STATUS	GM PART #	HRNS CONN ASSY			TPA	GROMMET CAP																						
		MATERIAL/PART	WIRE DRESS OPTION	KEY OPTION Fp	COLOR OPTION Fp	NUMBERS INDICATE CAVITIES OPEN FOR CIRCUITS																						
		NUMBER				Fp																						
SALEABLE	NOT APPLICABLE	34566-5563	0	A	BLACK	72	71	70	69					64	63			60	59	58	57	56	55	54	53			
						52	51		49	48	47		45	44	43	42	41							37	36		34	33
						73				32		30		28		26										19	18	17
SALEABLE	NOT APPLICABLE	34566-5573	0	C	BLUE	72		70		68		66			63	62			59	58	57	56	55		53			
						52	51		49	48	47	46		44		42		40	39	38	37	36			34	33		
						73				32		30				26	25	24	23	22	21	20	19	18	17			
SALEABLE	NOT APPLICABLE	34566-5583	0	B	ST GRAY	72		70		68		66		64	63			60	59					55	54	53		
						52		50		48		46					40	39							35	34	33	
						73				32	31	30	29	28	27	26	25	24	23			20						17
SALEABLE	NOT APPLICABLE	34566-5593	0	C	BLUE	72		70		68		66			63	62			59	58	57			55	54	53		
						52	51			48	47	46		44		42		40	39							34	33	
						73				32		30				26	25		23	22	21							
SALEABLE	NOT APPLICABLE	34566-5613	0	C	BLUE	72		70		68		66			63	62			59	58	57			55	54	53		
						52	51			48	47			44		42		40	39							34	33	
						73				32		30			27	26	25	24	23	22	21	20						17
SALEABLE	NOT APPLICABLE	34566-5623	0	C	BLUE	72		70		68		66			63	62			59	58	57			55	54	53		
						52	51			48	47			44		42		40	39							34	33	
						73				32		30			27	26	25	24	23	22	21	20						17
SALEABLE	NOT APPLICABLE	34566-5633	0	B	ST GRAY	72										62	61											
						52				48		46		44	43		41	40								20	19	18
						73				16	15	14														4		
SALEABLE	NOT APPLICABLE	34566-5643	0	B	ST GRAY	72										62	61											
						52				48		46			43		41	40								20	19	18
						73				16	15	14														4		
SALEABLE	NOT APPLICABLE	34566-5653	0	A	BLACK	72	71	70	69	68		66	65	64	63		61	60			57	56			54	53		
						52	51	50	49	48		46	45	44	43		41	40	39	38	37	36			34	33		
						73				32	31	30	29	28		26	25		23	22	21							17
SALEABLE	NOT APPLICABLE	34566-5663	0	C	BLUE				69		67	66	64		62		60			57			55	54				
						52	51	50		48		46	45	44		42									37	35	34	33
						73				32	31			28	27	26										19	18	
SALEABLE	NOT APPLICABLE	34566-5673	0	C	BLUE				69		67	66	64		62		60			57			55	54				
						52	51	50	49	48		46	45	44		42		41							37	35	34	33
						73				32	31			28	27	25											18	
SALEABLE	NOT APPLICABLE	34566-5683	0	B	ST GRAY	72										62	61											
						52				48		46		44	43		41	40								20	19	18
						73				16		14														4		
SALEABLE	NOT APPLICABLE	34566-5693	0	A	BLACK	72	71	70	69	68		66	65	64	63		61	60			57	56			54	53		
						52	51	50	49	48		46	45	44	43		41	40	39	38	37	36			34	33		
						73				32	31	30	29	28		26	25		23	22	21	20						17
SALEABLE	NOT APPLICABLE	34566-5713	0	C	BLUE				69		67	66	64		62		60			57			55	54				
						52	51	50		48		46	45	44		42									37	35	34	33
						73				32	31			28	27	26											19	18
SALEABLE	NOT APPLICABLE	34566-5723	0	C	BLUE				69		67	66	64		62		60			57			55	54				
						52	51	50	49	48		46	45	44		42		41							37	35	34	33
						73				32	31			28	27	25											18	

MX123 52/66/73/80-WAY RECEPTACLE ASSY SEALED PIN OUT SHEET

STATUS	GM PART #	HRNS CONN ASSY			TPA	GROMMET CAP																							
		MATERIAL/PART	WIRE DRESS OPTION	KEY OPTION Fp	COLOR OPTION Fp	NUMBERS INDICATE CAVITIES OPEN FOR CIRCUITS																							
		NUMBER				Fp																							
SALEABLE	NOT APPLICABLE	34566-5733	0	A	BLACK	52	71	70	69					64	63			60	59	58	57	56	55	54	53				
							51		49				45	44	43	42	41								36				
						73				32		30		28		26											19	18	
SALEABLE	NOT APPLICABLE	34566-5743	0	A	BLACK	52	71	70	69					64	63			60	59		57	56	55	54	53				
							51		49				45	44	43	42	41								36				
						73				32		30		28		26											19	18	
SALEABLE	NOT APPLICABLE	34566-5753	0	A	BLACK	52	71	70	69					64	63			60	59		57	56	55	54	53				
							51		49				45	44	43	42	41								36				
						73				32		30		28		26				23		21				19	18		
SALEABLE	NOT APPLICABLE	34566-5763	0	C	BLUE	72		70		68		66			63	62			59	58	57					53			
						52	51			48	47	46		44		42		40	39				37	36			34	33	
						73				32		30			27	26	25	24			22	21	20						
SALEABLE	NOT APPLICABLE	34566-5773	0	C	BLUE	72		70		68		66			63	62			59	58	57					53			
						52	51			48	47			44		42		40	39				37	36			34	33	
						73				32		30			27	26	25	24			22	21	20						
SALEABLE	NOT APPLICABLE	34566-5783	0	C	BLUE	72		70		68		66			63	62			59	58	57					53			
						52	51			48	47			44		42		40	39				37	36			34	33	
						73				32		30			27	26	25	24			22	21	20						
SALEABLE	NOT APPLICABLE	34566-5793 SAME AS P/N 34566-4013	0	B	ST GRN	72		70		68		66					60	59						55	54	53			
						52		50		48		46					40	39								35	34	33	
						73				32	31	30	29	28	27	26	25	24											17
SALEABLE	NOT APPLICABLE	34566-5813	0	B	ST GRN	72		70		68		66					60	59							55	54	53		
						52		50		48		46					40	39									35	34	33
						73				32	31	30	29	28	27	26	25	24	23									19	18
SALEABLE	NOT APPLICABLE	34566-5823	0	A	BLACK	72		70							63														
						52			49						43		41												
						73					31	30		28	27	26			23							20	19		
SALEABLE	NOT APPLICABLE	34566-5833	0	A	BLACK	72		70							63														
						52			49						43		41												
						73					31	30		28	27	26			23							20	19		
SALEABLE	NOT APPLICABLE	34566-5843	0	H	ST GRN		79																						
							59		57			74	73	72	71			68	67			65	64	63	62	61			
								38				34	33					29	27			25							
SALEABLE	NOT APPLICABLE	34566-5853	0	H	ST GRN		79																						
							59		57			74	73	72	71			68	67			65	64	63	62	61			
								38				34	33					29	27			25							
SALEABLE	NOT APPLICABLE	34566-5863	0	C	BLUE	72		70				66			63	62			59		57	56	55		53				
						52	51					46	44		42		40	39			37	36			34	33			
						73				32		30				26	25			22	21					19	18		
SALEABLE	NOT APPLICABLE	34566-5873	0	B	ST GRN		79																						
							59		57			74	73	72	71			68	67			65	64	63	62	61			
								38				34	33					29	27			25							
SALEABLE	NOT APPLICABLE	34566-5883	0	B	ST GRN	72		70				66			63	62			59		57	56	55		53				
						52	51					46	44		42		40	39			37	36			34	33			
						73				32		30				26	25			22	21					19	18		

MX123 52/66/73/80-WAY RECEPTACLE ASSY SEALED PIN OUT SHEET

STATUS	GM PART #	HRNS CONN ASSY			TPA	GROMMET CAP																						
		MATERIAL/PART	WIRE DRESS OPTION	KEY OPTION Fp		COLOR OPTION Fp	NUMBERS INDICATE CAVITIES OPEN FOR CIRCUITS																					
		NUMBER					Fp																					
SALEABLE	NOT APPLICABLE	34566-5893	0	C	BLUE				69		67	66				62		60			57		55	54				
						52	51	50		48		46	45	44		42								37		35	34	33
						73				32				28	27	26											19	18
SALEABLE	NOT APPLICABLE	34566-5913	0	C	BLUE				69		67	66				61	60			57			54					
						52	51	50	49	48		46	45	44			41						37			34	33	
						73				32				28	27		25											18
SALEABLE	NOT APPLICABLE	34566-5933	0	C	BLUE	72			70		68		66			63	62			59		57	56	55		53		
						52	51			48	47	46		44			42		40	39							34	33
						73				32		30				26	25		23	22	21							
SALEABLE	NOT APPLICABLE	34566-5943	0	C	BLUE				69		67	66				61	60			57			54					
						52	51		49	48	47	46		44			42		40	39							34	33
						73				32		30				27	26	25			22	21	20					
SALEABLE	NOT APPLICABLE	34566-5953	0	A	BLACK		71	70	69				65	64	63	62	61	60			58	57	56	55	54	53		
						52	51		49	48	47		45	44	43	42	41						37	36			34	
						73				32		30	29	28	27	26											19	18
SALEABLE	NOT APPLICABLE	34566-5963	0	B	ST GRAY	72	71	70			68	67	66			63	62	61	60	59	58	57	56	55	54	53		
						52	51	50		48	47	46				42	41	40	39	38	37	36	35	34	33			
						73				32	31	30	29	28	27	26	25	24										18
SALEABLE	NOT APPLICABLE	34566-5973	0	C	BLUE				69		67	66				61	60			57			54					
						52	51			48	47	46		44			42		40	39						34	33	
						73				32		30				27	26	25		22	21					19	18	
SALEABLE	NOT APPLICABLE	34566-5983	0	C	BLUE				69		67	66				61	60			57			54					
						52	51	50		48		46	45	44		42								37		35	34	33
						73				32				28	27	26											19	18
SALEABLE	NOT APPLICABLE	34566-5993	0	A	BLACK		71	70	69				65		63	62	61	60			58	57	56	55	54	53		
						52	51	50	49	48	47		45	44	43	42	41	40	39				37	36	35	34		
						73				32	31	30	29	28	27	26	25	24	23			21	20	19	18	17		
SALEABLE	NOT APPLICABLE	34566-6013	0	B	ST GRAY				69		67		65			61	60	59	58	57			54	53				
							51	50	49	48	47	46	45		43			40	39		37					34	33	
						73				32	31	30	29			26		24	23	22	21	20					18	
SALEABLE	NOT APPLICABLE	34566-6023	0	A	BLACK	72	71	70	69		68	67				63	62	61	60	59	58	57	56		54	53		
						52	51	50	49	48	47		45	44	43			40	39	38	37	36	35	34	33			
						73				32	31	30	29	28				24	23	22	21	20	19				17	
SALEABLE	NOT APPLICABLE	34566-6033	0	A	BLACK				70	69					63	62	61			58	57	56	55	54	53			
						52	51		49	48			44	43	42	41						37	36			34		
						73				32			29	28	27	26							21		19	18		
SALEABLE	NOT APPLICABLE	34566-6043	0	B	ST GRAY						68	67	66	65	64					58			55					
												46	45									38			35			
						73				32		30	29	28	27							22				19		17
SALEABLE	NOT APPLICABLE	34566-6053	0	B	ST GRAY						68	67	66	65	64					58			55					
						72				48	47	46			43		41	40								19	18	
						73				32		30														4		2
SALEABLE	NOT APPLICABLE	34566-6063	0	C	BLUE				69		67	66				62		60			57		55	54				
						52	51	50		48		46	45	44		42							37		35	34	33	
						73				32				28	27	26											19	18

MX123 52/66/73/80-WAY RECEPTACLE ASSY SEALED PIN OUT SHEET

STATUS	GM PART #	HRNS CONN ASSY			TPA	GROMMET CAP																			
		MATERIAL/PART	WIRE DRESS OPTION	KEY OPTION Fp	COLOR OPTION Fp	NUMBERS INDICATE CAVITIES OPEN FOR CIRCUITS Fp																			
		NUMBER																							
SALEABLE	NOT APPLICABLE	34566-6073	0	C	BLUE	52	51	50	69	48	67	66	45	64		61	60		57		54				
									49				44			41					37			34	33
						73				32			28	27		25									18
SALEABLE	NOT APPLICABLE	34566-6083	0	C	BLUE	72		70		68	67	66			63	62		59		57			53		
						52	51			48	47	46		44		42		40	39		37	36		34	33
						73				32		30				26	25			22	21				
SALEABLE	NOT APPLICABLE	34566-6093	0	B	ST GRAY	72		70			67				63	62	61	60	59						
						52						46			43		41	40							
						73									27							20	19	18	
SALEABLE	NOT APPLICABLE	34566-6113	0	A	BLACK	72	71	70	69	68		66	65	64	63	62	61	60		58	57	56	55	54	53
						52	51	50	49	48		46	45	44	43	42	41	40	39	38	37	36		34	33
						73				32	31	30	29	28	27	26	25		23	22	21	20	19	18	
SALEABLE	NOT APPLICABLE	34566-6123	0	C	BLUE				69		67	66		64		62		60		57		54			
						52	51	50		48		46	45	44		42					37			34	33
						73									28	27	26								
SALEABLE	NOT APPLICABLE	34566-6133	9	C	BLUE	72		70		68	67				63	62		59		57			53		
						52	51			48	47			44		42		40	39	38	37	36		34	33
						73				32		30				26	25	24		22	21				
SALEABLE	NOT APPLICABLE	34566-6173	9	B	ST GRAY					67	66														
										48	47					41									
						73				32	31	30	29		27	26	25	24		22	21		19	18	17
SALEABLE	NOT APPLICABLE	34566-6183	9	A	BLACK						66														
										48	47					41									
						73				32	31	30	29		27	26	25	24		22	21		19	18	17
SALEABLE	NOT APPLICABLE	34566-6193	9	B	ST GRAY	72	71	70	69	68	67	66	65	64		62	61	60	59	58	57	56	55	54	
						52	51	50	49			46		44			41	40		38	37	36			
						73				32	31	30	29	28	27	26	25	24		21	20		18	17	
SALEABLE	NOT APPLICABLE	34566-6213	9	A	BLACK						67	66													
										48	47					41									
						73				32	31	30	29		27	26	25	24		22	21		19	18	17
SALEABLE	NOT APPLICABLE	34566-6223	9	C	BLUE	72		70		68		66			63	62		59		57			53		
						52	51			48	47	46		44			40	39						34	33
						73				32		30			27	26	25			22	21	20			
SALEABLE	NOT APPLICABLE	34566-6233	9	B	ST GRAY	72		70		68		66					60	59				55	54	53	
						52		50		48		46				40	39					35	34	33	
						73				32	31	30	29	28	27	26	25	24							2
SALEABLE	NOT APPLICABLE	34566-6243	9	A	BLACK		71	70	69					64	63		60	59	58	57	56	55	54	53	
						52	51	50	49				45	44	43	42	41		39		37	36		34	
						73				32		30		28		26								19	18
SALEABLE	NOT APPLICABLE	34566-6253	9	C	BLUE						67	66													
						72		70		68	67	66				63	62		59		57				53
						52	51		49	48	47	46		44			40	39		37	36				34
SALEABLE	NOT APPLICABLE	34566-6263	9	B	ST GRAY						67	66													
						72	71	70		68	67	66				62	61	60	59	58	57	56	55	54	53
						52	51	50		48	47	46				42	41	40	39	38	37	36	35	34	33
73				32	31	30	29	28	27	26	25	24								3	2	1			

MX123 52/66/73/80-WAY RECEPTACLE ASSY SEALED PIN OUT SHEET




STATUS	GM PART #	HRNS CONN ASSY			TPA	GROMMET CAP																							
		MATERIAL/PART	WIRE DRESS OPTION	KEY OPTION Fp	COLOR OPTION Fp	NUMBERS INDICATE CAVITIES OPEN FOR CIRCUITS																							
		NUMBER				Fp																							
SALEABLE	NOT APPLICABLE	34566-6273	9	B	ST GRAY	52	71	70	69				65	64	63	62	61	60		58	57	56	55	54	53				
							51	50	49	48	47		45	44	43	42	41		39						36	35	34		
						73				32		30	29	28	27	26			24							19	18		
SALEABLE	NOT APPLICABLE	34566-6283	9	C	BLUE	72		70		68	67	66			63	62			59		57				53				
						52	51			48	47	46		44				40	39							34	33		
						73				32		30			27	26	25			22	21								
SALEABLE	NOT APPLICABLE	34566-6293	9	B	ST GRAY	72	71	70		68	67	66			62	61	60	59	58	57	56	55	54	53					
						52	51	50		48	47	46			42	41	40	39	38	37	36	35	34	33					
						73				32	31	30	29	28	27	26	25	24										17	
SALEABLE	NOT APPLICABLE	34566-6313	9	B	ST GRAY			70	69						63	62	61	60		58	57	56	55	54	53				
						52	51	50	49					44	43	42	41		39							34	33		
						73				32			29	28	27	26										19	18		
SALEABLE	NOT APPLICABLE	34566-6323	9	B	ST GRAY		71	70	69						64	63			60	59	58	57	56	55	54	53			
						52	51	50	49					45	44	43	42	41		39							34	33	
						73				32		30			28		26										19	18	
SALEABLE	NOT APPLICABLE	34566-6333	9	C	BLUE	72		70		68	67	66			63	62			59		57	56	55	54	53				
						52	51			48	47	46		44				40	39								34	33	
						73				32		30			27	26	25			22	21					19	18		
SALEABLE	NOT APPLICABLE	34566-6343	9	A	BLACK			70	69						63	62	61	60		58	57	56	55	54	53				
						52	51	50	49					44	43	42	41	40	39							34	33		
						73				32			29	28	27	26										19	18	17	
SALEABLE	NOT APPLICABLE	34566-6353	9	C	BLUE	72		70		68		66			63	62			59	58	57	56	55	54	53				
						52	51			48	47	46		44				40	39								34	33	
						73				32		30			27	26	25		23	22	21	20						17	
SALEABLE	NOT APPLICABLE	34566-6363	9	B	ST GRAY	72		70		68		66					60	59					55	54	53				
						52		50		48		46						40	39							35	34	33	
						73				32	31	30	29	28	27	26	25	24	23							19	18	17	
SALEABLE	NOT APPLICABLE	34566-6373	9	A	BLACK		71	70	69		67			64	63			60	59	58	57	56	55	54	53				
						52	51	50	49		47			45	44	43	42	41	40	39							34	33	
						73				32		30		28		26			23		21					19	18	17	
SALEABLE	NOT APPLICABLE	34566-6383	9	A	BLACK	72	71	70	69	68		66	65	64	63		61	60			57	56			54	53			
						52	51	50	49	48		46	45	44	43	42	41	40	39	38	37	36					34	33	
						73				32	31	30	29	28					23	22	21								2
SALEABLE	NOT APPLICABLE	34566-6393	9	C	BLUE		71	70	69		67	66	65	64		62	61	60		58	57			55	54				
						52	51	50	49	48	47	46	45	44		42	41			38	37					35	34	33	
						73				32			28	27	26	25											19	18	17
SALEABLE	NOT APPLICABLE	34566-6413	9	B	ST GRAY	72				68	67				63	62	61	60	59					55					
						52				48	47	46		44	43		41	40								20	19	18	17
						73				16	15	14			11			8									4		
SALEABLE	NOT APPLICABLE	34566-6423	9	C	BLUE	72	71	70	69		67	66	65	64										56		54			
						52	51	50	49		47	46	45	44					39	38								34	
						73					31	30	29	28		26	25		23	22	21								
SALEABLE	NOT APPLICABLE	34566-6433	9	A	BLACK	72		70			67				63			60	59	58	57	56	55						
						52	51			48	47	46			43	42		40	39	38	37	36	35						
						73								28	27			9		7								18	17

MX123 52/66/73/80-WAY RECEPTACLE ASSY SEALED PIN OUT SHEET

STATUS	GM PART #	HRNS CONN ASSY			TPA	GROMMET CAP																					
		MATERIAL/PART	WIRE DRESS OPTION	KEY OPTION Fp	COLOR OPTION Fp	NUMBERS INDICATE CAVITIES OPEN FOR CIRCUITS																					
		NUMBER				Fp																					
SALEABLE	NOT APPLICABLE	34566-6443	9	B	ST GRAY	72	71	70	69	68	67	66	65	64	63		61	60			57	56	55				
						52	51	50	49	48	47	46	45	44	43		26	25	24	23	22	21	20	19	18	17	
						73				32	31	30	29	28		11		9	8	7	6	5	4	3	2	1	
SALEABLE	NOT APPLICABLE	34566-6453	0	C	BLUE		71	70	69		67		65	64		62	61	60			57			54			
						52	51	50	49	48	47	46	45	44		42	41				37			34	33		
						73				32				28	27	26	25								18	17	
SALEABLE	NOT APPLICABLE	34566-6463	0	B	ST GRAY	72				68	67					62	61							55			
						52				48	47	46			43												
						73						30											20	19	18		
SALEABLE	NOT APPLICABLE	34566-6473	9	C	BLUE			70	69		67	66		64		62		60			57		55	54			
						52	51	50		48		46	45	44		42					37			35	34	33	
						73				32				28	27	26									19	18	17
SALEABLE	NOT APPLICABLE	34566-6483	9	A	BLACK	72	71	70	69	68		66	65	64	63		61	60			57	56		54	53		
						52	51	50	49	48		46	45	44	43			40	39	38	37	36		34	33		
						73				32	31	30	29	28		26	25		23	22	21	20					2
SALEABLE	NOT APPLICABLE	34566-6493	9	B	ST GRAY	72			70							62	61							55			
						52				48	47	46			43			41	40								
						73						30											20	19	18		
SALEABLE	NOT APPLICABLE	34566-6513	0	B	ST GRAY					68	67					62	61						55	54			
						52						46			43			40									
						73				16	15	14							8					4	3	2	1
SALEABLE	NOT APPLICABLE	34566-6523	0	B	ST GRAY					68	67			64					59	58				54			
												46	45						39	38							
						73				32		30	29	28	27				23	22							17
SALEABLE	NOT APPLICABLE	34566-6533	9	B	ST GRAY					68	67			64													
												46	45														
						73				32		30	29	28	27												17
SALEABLE	NOT APPLICABLE	34566-6543	9	A	BLACK					68	67			64													
												46	45														
						73				32	31	30	29	28		26	25		23	22	21	20					
SALEABLE	NOT APPLICABLE	34566-6553	9	A	BLACK	72	71	70	69		67			64	63			60	59	58	57	56	55	54	53		
						52	51	50	49		47			45	44	43	42	41	40	39		37	36		34		
						73				32		30		28		26								19	18	17	
SALEABLE	NOT APPLICABLE	34566-6563	9	C	BLUE				70		68		66		63	62			59	58	57			53			
						52	51			48	47	46		44				40	39							34	33
						73				32		30			27	26	25		23	22	21	20					17
SALEABLE	NOT APPLICABLE	34566-6573	9	A	BLACK					68	67			64	63			60	59	58	57	56	55	54	53		
						52	51	50	49		47			45	44	43	42	41	40	39		37	36		34		
						73				32		30		28		26			23		21		19	18			
SALEABLE	NOT APPLICABLE	34566-6583	9	A	BLACK				70	69					63	62	61	60		58	57	56	55	54	53		
						52	51	50	49					44	43	42	41	40	39		37	36		34			
						73				32			29	28	27	26									19	18	
SALEABLE	NOT APPLICABLE	34566-6593	0	C	BLUE				69		67			64		62		60			57		55	54			
						52	51	50		48		46	45	44		42					37		35	34	33		
						73				32				28	27	26							20	19	18	17	

MX123 52/66/73/80-WAY RECEPTACLE ASSY SEALED PIN OUT SHEET

STATUS	GM PART #	HRNS CONN ASSY			TPA	GROMMET CAP																						
		MATERIAL/PART	WIRE DRESS OPTION	KEY OPTION Fp	COLOR OPTION Fp	NUMBERS INDICATE CAVITIES OPEN FOR CIRCUITS																						
		NUMBER				Fp																						
SALEABLE	NOT APPLICABLE	34566-6613	0	A	BLACK	72	71	70	69			66		64	63		61	60			57	56		54	53			
						52	51	50	49			46	45	44	43		26	25		23	22	21				34	33	
						73				32	31	30	29	28					9		7	6	5				2	1
SALEABLE	NOT APPLICABLE	34566-6623	9	B	ST GRY					68	67			64					59	58			54					
												46	45						39	38								
						73				32		30	29	28	27					23	22							17
SALEABLE	NOT APPLICABLE	34566-6633	9	C	BLUE				69		67	66		64		62		60			57			54				
						52	51	50		48		46	45	44		42						37				34	33	
						73								28	27	26												
SALEABLE	NOT APPLICABLE	34566-6643	9	C	BLUE		71			68	67		65	64	63		61	60		58	57			54				
						52	51	50		48			45		43		41				38	37				34	33	
						73								28	27		25											18
SALEABLE	NOT APPLICABLE	34566-6653	9	B	ST GRY	72				68						62	61	60	59					55				
						52				48	47	46		44	43		41	40		38	37	36	35					
						73						30										20	19	18				
SALEABLE	NOT APPLICABLE	34566-6663	9	A	BLACK					68		66	65	64	63		60			57	56			54				
						52	51	50	49	48		46	45	44	43	42		40	39	38	37	36				34		
						73				32	31	30	29	28		26	25		23	22	21	20						2
SALEABLE	NOT APPLICABLE	34566-6673	9	B	ST GRY	72	71	70	69	68	67	66	65	64	63		61	60	59		57	56	55					
						52	51	50	49	48	47	46	45	44	43		41	40	39	38	37	36	35	34	33			
						73				32	31	30	29	28		26		24	23	22	21	20	19	18	17			
SALEABLE	NOT APPLICABLE	34566-6683	9	A	BLACK			70			67				63		60	59	58	57								
						52				48	47	46			43	42		40	39	38	37							
						73				32	31	30	29	28	27					22	21							2
SALEABLE	NOT APPLICABLE	34566-6693	9	C	BLUE	72	71	70	69		67	66	65	64						56				54				
						52	51	50	49		47	46	45	44					39	38						34		
						73						31	30	29	28		26	25	24	23	22	21						17
SALEABLE	TBD	34822-0063	9	A	BLACK		63	62	61	60	59					54	53		51		49				66			
							47								38	37		35		33								
						65								28			25			22	21	20	19	18	17			
SALEABLE	NOT APPLICABLE	34566-6713	9	A	BLACK	72	71	70	69	68		66	65	64	63		61	60		57	56			54	53			
						52	51	50	49	48		46	45	44	43	42	41	40	39	38	37	36				34	33	
						73				32	31	30	29	28		26	25		23	22	21							2
SALEABLE	NOT APPLICABLE	34566-6723	0	H	ST GRY		79					74	73					67		65	64	63	62	61				
							59						53	52							25		44	43	42	41		
								38					33							27								
SALEABLE	NOT APPLICABLE	34566-6733	0	G	BLUE			78	77		75	74		72		70				64	63							
						60		58	57		55	54		52	51	50	49		47		45							
						40	39	38	37				33	32	31				27	26								
SALEABLE	NOT APPLICABLE	34566-6743	9	C	BLUE					68	67		65	64	63		61	60		57				54	53			
						52	51	50		48		46	45		43		41				37					34	33	
						73								28	27		25											
SALEABLE	NOT APPLICABLE	34566-6753	9	A	BLACK	72	71	70	69	68		66	65	64		61	60		57	56			54	53				
						52	51	50	49	48		46	45	44	43	42		40	39	38	37	36				34	33	
						73						31	30	29	28					23	22	21	20					2

STATUS	GM PART #	HRNS CONN ASSY			TPA	GROMMET CAP																																																																																																																																																																																																																																																																																																																																																																																																																																																																																																																																																																																																																																																																																																																																																																																																																																																																																																																																																																																																																																																																																																																																																																																																																																																																																																																																																																																																																																																																																																																																																																																																																																																	
		MATERIAL/PART	WIRE DRESS OPTION	KEY OPTION 	COLOR OPTION 	NUMBERS INDICATE CAVITIES OPEN FOR CIRCUITS 																																																																																																																																																																																																																																																																																																																																																																																																																																																																																																																																																																																																																																																																																																																																																																																																																																																																																																																																																																																																																																																																																																																																																																																																																																																																																																																																																																																																																																																																																																																																																																																																																																																	
		NUMBER																																																																																																																																																																																																																																																																																																																																																																																																																																																																																																																																																																																																																																																																																																																																																																																																																																																																																																																																																																																																																																																																																																																																																																																																																																																																																																																																																																																																																																																																																																																																																																																																																																																					
SALEABLE	NOT APPLICABLE	34566-6763	9	B	ST GRN	72				68															55						52			50	49					46	45						43													34	73											29												22	21	20	19	18			SALEABLE	NOT APPLICABLE	34566-6773	0	C	BLUE	72				68																						52	51			49	48	47	46									44								59	58	57			34	33	73														32	31	30						26	25					22	21		19	18	17	SALEABLE	NOT APPLICABLE	34566-6783	0	B	ST GRN	72				68																						52			50		48		46																	60	59					55	54	53	73																	32	31	30	29	28	27	26	25	24	23							17	SALEABLE	NOT APPLICABLE	34566-6793	0	B	ST GRN	72				68																						52			50		48		46																		60	59					55	54	53	73																																			17	SALEABLE	NOT APPLICABLE	34566-6813	9	A	BLACK		71	70	69	68	67																					52	51	50	49	48	47					45	44	43	42	41	40	39																			73																																				18	SALEABLE	NOT APPLICABLE	34566-6823	9	C	BLUE	72				68	67																						52	51			49	48	47	46																												73																																					SALEABLE	NOT APPLICABLE	34566-6833	0	A	BLACK			70	69																							52	51			49	48	47					44	43	42	41	40																				73																																					SALEABLE	NOT APPLICABLE	34566-6843	0	A	BLACK	72	71	70	69	68																						52	51	50	49	48						46	45	44	43																						73																																				17	SALEABLE	NOT APPLICABLE	34566-6853	0	C	BLUE					69																						52	51	50	49	48					46	45	44	43																						73																																				SALEABLE	NOT APPLICABLE	34566-6863	0	A	BLACK	72	71	70	69	68																						52	51	50	49	48					46	45	44	43	42																						73																																					SALEABLE	NOT APPLICABLE	34566-6873	9	B	ST GRN	72				68	67																					52				48	47	46																													73																																					SALEABLE	NOT APPLICABLE	34566-6883	9	A	BLACK					67																						52	51			48	47	46																													73																																				SALEABLE	NOT APPLICABLE	34566-6893	0	B	ST GRN	72	71	70	69	68	67	66	65	64	63	62	61	60	59														52	51	50	49	48	47	46	45	44	43																											73																																					SALEABLE	NOT APPLICABLE	34566-6913	9	A	BLACK					68	67	66	65	64	63																	52	51	50	49	48	47	46	45	44	43	42																									73																																					SALEABLE	NOT APPLICABLE	34566-6923	9	C	BLUE	72	71	70	69																							52	51	50	49	48	47	46	45	44																											73																																																																																															
						52			50	49					46	45						43													34	73											29												22	21	20	19	18			SALEABLE	NOT APPLICABLE	34566-6773	0	C	BLUE	72				68																												52	51			49	48	47	46									44								59	58	57			34	33	73														32	31	30						26	25					22	21		19	18	17	SALEABLE	NOT APPLICABLE	34566-6783	0	B	ST GRN	72				68																												52			50		48		46																	60	59					55	54	53	73																	32	31	30	29	28	27	26	25	24	23							17	SALEABLE	NOT APPLICABLE	34566-6793	0	B	ST GRN	72				68																												52			50		48		46																		60	59					55	54	53	73																																			17	SALEABLE	NOT APPLICABLE	34566-6813	9	A	BLACK								71	70	69	68	67																					52	51	50	49	48	47					45	44	43	42	41	40	39																			73																																				18	SALEABLE							NOT APPLICABLE	34566-6823	9	C	BLUE	72				68	67																						52	51			49	48	47	46																												73																																											SALEABLE	NOT APPLICABLE	34566-6833	0	A	BLACK			70	69																							52	51			49	48	47					44	43	42	41	40																				73																																											SALEABLE	NOT APPLICABLE	34566-6843	0	A	BLACK	72	71	70	69	68																						52	51	50	49	48						46	45	44	43																						73																																										17	SALEABLE	NOT APPLICABLE	34566-6853	0	C	BLUE					69																						52	51	50	49	48					46	45	44	43																						73																																										SALEABLE	NOT APPLICABLE	34566-6863	0	A	BLACK	72	71	70	69	68																						52	51	50	49	48					46	45	44	43	42																						73																																											SALEABLE	NOT APPLICABLE	34566-6873	9	B	ST GRN	72				68	67																					52				48	47	46																													73																																								SALEABLE	NOT APPLICABLE	34566-6883	9	A	BLACK					67																						52	51			48	47	46																																			73																																				SALEABLE	NOT APPLICABLE	34566-6893	0	B	ST GRN	72	71	70	69	68	67	66	65	64	63	62	61	60	59														52	51	50	49	48	47	46	45	44	43																																	73																																					SALEABLE	NOT APPLICABLE	34566-6913	9	A	BLACK					68	67	66	65	64	63																	52	51	50	49	48	47	46	45	44	43	42																															73																																					SALEABLE	NOT APPLICABLE	34566-6923	9	C	BLUE	72	71	70	69																							52	51	50	49	48	47	46	45	44																											73																																							
						73											29												22	21	20	19	18																																																																																																																																																																																																																																																																																																																																																																																																																																																																																																																																																																																																																																																																																																																																																																																																																																																																																																																																																																																																																																																																																																																																																																																																																																																																																																																																																																																																																																																																																																																																																																																																																						
SALEABLE	NOT APPLICABLE	34566-6773	0	C	BLUE	72				68																						52	51			49	48	47	46									44								59	58	57			34	33	73																		32	31	30						26	25					22	21		19	18	17	SALEABLE	NOT APPLICABLE	34566-6783	0	B	ST GRN	72				68																						52			50		48		46																	60	59					55	54	53	73																					32	31	30	29	28	27	26	25	24	23							17	SALEABLE	NOT APPLICABLE	34566-6793	0	B	ST GRN	72				68																						52			50		48		46																		60	59					55	54	53	73																																								17	SALEABLE	NOT APPLICABLE	34566-6813	9	A	BLACK		71	70	69	68	67																					52	51	50	49	48	47					45	44	43	42	41	40	39																			73																																									18	SALEABLE	NOT APPLICABLE	34566-6823	9	C	BLUE	72				68	67																						52	51			49	48	47	46																												73																																										SALEABLE	NOT APPLICABLE	34566-6833	0	A	BLACK			70	69																							52	51			49	48	47					44	43	42	41	40																				73																																											SALEABLE	NOT APPLICABLE	34566-6843	0	A	BLACK	72	71	70	69	68																						52	51	50	49	48						46	45	44	43																						73																																										17	SALEABLE	NOT APPLICABLE	34566-6853	0	C	BLUE					69																						52	51	50	49	48					46	45	44	43																						73																																										SALEABLE	NOT APPLICABLE	34566-6863	0	A	BLACK	72	71	70	69	68																						52	51	50	49	48					46	45	44	43	42																						73																																											SALEABLE	NOT APPLICABLE	34566-6873	9	B	ST GRN	72				68	67																					52				48	47	46																													73																																											SALEABLE	NOT APPLICABLE	34566-6883	9	A	BLACK					67																						52	51			48	47	46																													73																																										SALEABLE	NOT APPLICABLE	34566-6893	0	B	ST GRN	72	71	70	69	68	67	66	65	64	63	62	61	60	59														52	51	50	49	48	47	46	45	44	43																											73																																											SALEABLE	NOT APPLICABLE	34566-6913	9	A	BLACK					68	67	66	65	64	63																	52	51	50	49	48	47	46	45	44	43	42																									73																																											SALEABLE	NOT APPLICABLE	34566-6923	9	C	BLUE	72	71	70	69																							52	51	50	49	48	47	46	45	44																											73																																																																																																																			
						52	51			49	48	47	46									44								59	58	57			34	33	73														32	31	30						26	25					22	21		19	18	17	SALEABLE	NOT APPLICABLE	34566-6783	0	B	ST GRN	72				68																												52			50		48		46																	60	59					55	54	53	73																	32	31	30	29	28	27	26	25	24	23							17	SALEABLE	NOT APPLICABLE	34566-6793	0	B	ST GRN	72				68																												52			50		48		46																		60	59					55	54	53	73																																			17	SALEABLE	NOT APPLICABLE	34566-6813	9	A	BLACK		71	70	69	68	67																											52	51	50	49	48	47					45	44	43	42	41	40	39																			73																																				18	SALEABLE	NOT APPLICABLE	34566-6823	9	C	BLUE	72				68	67																												52	51			49	48	47	46																												73																																					SALEABLE	NOT APPLICABLE	34566-6833	0	A	BLACK			70	69																													52	51			49	48	47					44	43	42	41	40																				73																																					SALEABLE	NOT APPLICABLE	34566-6843	0	A	BLACK	72	71	70	69	68																												52	51	50	49	48						46	45	44	43																						73																																				17	SALEABLE	NOT APPLICABLE	34566-6853	0	C	BLUE					69																												52	51	50	49	48					46	45	44	43																						73																																				SALEABLE	NOT APPLICABLE	34566-6863	0	A	BLACK	72	71	70	69	68																												52	51	50	49	48					46	45	44	43	42																						73																																					SALEABLE	NOT APPLICABLE	34566-6873	9	B	ST GRN	72				68	67																											52				48	47	46																													73																																					SALEABLE	NOT APPLICABLE	34566-6883	9	A	BLACK					67																												52	51			48	47	46																													73																																				SALEABLE	NOT APPLICABLE	34566-6893	0	B	ST GRN	72	71	70	69	68	67	66	65	64	63	62	61	60	59																				52	51	50	49	48	47	46	45	44	43																											73																																					SALEABLE	NOT APPLICABLE	34566-6913	9	A	BLACK					68	67	66	65	64	63																							52	51	50	49	48	47	46	45	44	43	42																									73																																					SALEABLE	NOT APPLICABLE	34566-6923	9	C	BLUE	72	71	70	69																													52	51	50	49	48	47	46	45	44																											73																																																																																																																																						
						73														32	31	30						26	25					22	21		19	18	17																																																																																																																																																																																																																																																																																																																																																																																																																																																																																																																																																																																																																																																																																																																																																																																																																																																																																																																																																																																																																																																																																																																																																																																																																																																																																																																																																																																																																																																																																																																																																																																																																
SALEABLE	NOT APPLICABLE	34566-6783	0	B	ST GRN	72				68																						52			50		48		46																	60	59					55	54	53	73																							32	31	30	29	28	27	26	25	24	23							17	SALEABLE	NOT APPLICABLE	34566-6793	0	B	ST GRN	72				68																						52			50		48		46																		60	59					55	54	53	73																																									17	SALEABLE	NOT APPLICABLE	34566-6813	9	A	BLACK		71	70	69	68	67																					52	51	50	49	48	47					45	44	43	42	41	40	39																			73																																									18	SALEABLE	NOT APPLICABLE	34566-6823	9	C	BLUE	72				68	67																						52	51			49	48	47	46																												73																																										SALEABLE	NOT APPLICABLE	34566-6833	0	A	BLACK			70	69																							52	51			49	48	47					44	43	42	41	40																				73																																											SALEABLE	NOT APPLICABLE	34566-6843	0	A	BLACK	72	71	70	69	68																						52	51	50	49	48						46	45	44	43																						73																																										17	SALEABLE	NOT APPLICABLE	34566-6853	0	C	BLUE					69																						52	51	50	49	48					46	45	44	43																						73																																										SALEABLE	NOT APPLICABLE	34566-6863	0	A	BLACK	72	71	70	69	68																						52	51	50	49	48					46	45	44	43	42																						73																																											SALEABLE	NOT APPLICABLE	34566-6873	9	B	ST GRN	72				68	67																					52				48	47	46																													73																																											SALEABLE	NOT APPLICABLE	34566-6883	9	A	BLACK					67																						52	51			48	47	46																													73																																										SALEABLE	NOT APPLICABLE	34566-6893	0	B	ST GRN	72	71	70	69	68	67	66	65	64	63	62	61	60	59														52	51	50	49	48	47	46	45	44	43																											73																																										SALEABLE	NOT APPLICABLE	34566-6913	9	A	BLACK					68	67	66	65	64	63																	52	51	50	49	48	47	46	45	44	43	42																									73																																											SALEABLE	NOT APPLICABLE	34566-6923	9	C	BLUE	72	71	70	69																							52	51	50	49	48	47	46	45	44																											73																																																																																																																																																																																																																						
						52			50		48		46																	60	59					55	54	53	73																	32	31	30	29	28	27	26	25	24	23							17	SALEABLE	NOT APPLICABLE	34566-6793	0	B	ST GRN	72				68																												52			50		48		46																		60	59					55	54	53	73																																			17	SALEABLE	NOT APPLICABLE	34566-6813	9	A	BLACK		71	70	69	68	67																											52	51	50	49	48	47					45	44	43	42	41	40	39																			73																																				18	SALEABLE	NOT APPLICABLE	34566-6823	9	C	BLUE	72				68	67																												52	51			49	48	47	46																												73																																					SALEABLE	NOT APPLICABLE	34566-6833	0	A	BLACK			70	69																													52	51			49	48	47					44	43	42	41	40																				73																																					SALEABLE	NOT APPLICABLE	34566-6843	0	A	BLACK	72	71	70	69	68																												52	51	50	49	48						46	45	44	43																						73																																				17	SALEABLE	NOT APPLICABLE	34566-6853	0	C	BLUE					69																												52	51	50	49	48					46	45	44	43																						73																																				SALEABLE	NOT APPLICABLE	34566-6863	0	A	BLACK	72	71	70	69	68																												52	51	50	49	48					46	45	44	43	42																						73																																					SALEABLE	NOT APPLICABLE	34566-6873	9	B	ST GRN	72				68	67																											52				48	47	46																													73																																					SALEABLE	NOT APPLICABLE	34566-6883	9	A	BLACK					67																												52	51			48	47	46																													73																																				SALEABLE	NOT APPLICABLE	34566-6893	0	B	ST GRN	72	71	70	69	68	67	66	65	64	63	62	61	60	59																				52	51	50	49	48	47	46	45	44	43																											73																																					SALEABLE	NOT APPLICABLE	34566-6913	9	A	BLACK					68	67	66	65	64	63																							52	51	50	49	48	47	46	45	44	43	42																									73																																					SALEABLE	NOT APPLICABLE	34566-6923	9	C	BLUE	72	71	70	69																													52	51	50	49	48	47	46	45	44																											73																																																																																																																																																																																																																																													
						73																	32	31	30	29	28	27	26	25	24	23							17																																																																																																																																																																																																																																																																																																																																																																																																																																																																																																																																																																																																																																																																																																																																																																																																																																																																																																																																																																																																																																																																																																																																																																																																																																																																																																																																																																																																																																																																																																																																																																																																																
SALEABLE	NOT APPLICABLE	34566-6793	0	B	ST GRN	72				68																						52			50		48		46																		60	59					55	54	53	73																																									17	SALEABLE	NOT APPLICABLE	34566-6813	9	A	BLACK		71	70	69	68	67																					52	51	50	49	48	47					45	44	43	42	41	40	39																			73																																										18	SALEABLE	NOT APPLICABLE	34566-6823	9	C	BLUE	72				68	67																						52	51			49	48	47	46																												73																																											SALEABLE	NOT APPLICABLE	34566-6833	0	A	BLACK			70	69																							52	51			49	48	47					44	43	42	41	40																				73																																											SALEABLE	NOT APPLICABLE	34566-6843	0	A	BLACK	72	71	70	69	68																						52	51	50	49	48						46	45	44	43																						73																																										17	SALEABLE	NOT APPLICABLE	34566-6853	0	C	BLUE					69																						52	51	50	49	48					46	45	44	43																						73																																										SALEABLE	NOT APPLICABLE	34566-6863	0	A	BLACK	72	71	70	69	68																						52	51	50	49	48					46	45	44	43	42																						73																																											SALEABLE	NOT APPLICABLE	34566-6873	9	B	ST GRN	72				68	67																					52				48	47	46																													73																																											SALEABLE	NOT APPLICABLE	34566-6883	9	A	BLACK					67																						52	51			48	47	46																													73																																										SALEABLE	NOT APPLICABLE	34566-6893	0	B	ST GRN	72	71	70	69	68	67	66	65	64	63	62	61	60	59														52	51	50	49	48	47	46	45	44	43																											73																																										SALEABLE	NOT APPLICABLE	34566-6913	9	A	BLACK					68	67	66	65	64	63																	52	51	50	49	48	47	46	45	44	43	42																									73																																											SALEABLE	NOT APPLICABLE	34566-6923	9	C	BLUE	72	71	70	69																							52	51	50	49	48	47	46	45	44																											73																																																																																																																																																																																																																																																																																																																													
						52			50		48		46																		60	59					55	54	53	73																																			17	SALEABLE	NOT APPLICABLE	34566-6813	9	A	BLACK		71	70	69	68	67																											52	51	50	49	48	47					45	44	43	42	41	40	39																			73																																				18	SALEABLE	NOT APPLICABLE	34566-6823	9	C	BLUE	72				68	67																												52	51			49	48	47	46																												73																																					SALEABLE	NOT APPLICABLE	34566-6833	0	A	BLACK			70	69																													52	51			49	48	47					44	43	42	41	40																				73																																					SALEABLE	NOT APPLICABLE	34566-6843	0	A	BLACK	72	71	70	69	68																												52	51	50	49	48						46	45	44	43																						73																																				17	SALEABLE	NOT APPLICABLE	34566-6853	0	C	BLUE					69																												52	51	50	49	48					46	45	44	43																						73																																				SALEABLE	NOT APPLICABLE	34566-6863	0	A	BLACK	72	71	70	69	68																												52	51	50	49	48					46	45	44	43	42																						73																																					SALEABLE	NOT APPLICABLE	34566-6873	9	B	ST GRN	72				68	67																											52				48	47	46																													73																																					SALEABLE	NOT APPLICABLE	34566-6883	9	A	BLACK					67																												52	51			48	47	46																													73																																				SALEABLE	NOT APPLICABLE	34566-6893	0	B	ST GRN	72	71	70	69	68	67	66	65	64	63	62	61	60	59																				52	51	50	49	48	47	46	45	44	43																											73																																					SALEABLE	NOT APPLICABLE	34566-6913	9	A	BLACK					68	67	66	65	64	63																							52	51	50	49	48	47	46	45	44	43	42																									73																																					SALEABLE	NOT APPLICABLE	34566-6923	9	C	BLUE	72	71	70	69																													52	51	50	49	48	47	46	45	44																											73																																																																																																																																																																																																																																																																																																																																																						
						73																																			17																																																																																																																																																																																																																																																																																																																																																																																																																																																																																																																																																																																																																																																																																																																																																																																																																																																																																																																																																																																																																																																																																																																																																																																																																																																																																																																																																																																																																																																																																																																																																																																																														
SALEABLE	NOT APPLICABLE	34566-6813	9	A	BLACK		71	70	69	68	67																					52	51	50	49	48	47					45	44	43	42	41	40	39																			73																																										18	SALEABLE	NOT APPLICABLE	34566-6823	9	C	BLUE	72				68	67																						52	51			49	48	47	46																												73																																											SALEABLE	NOT APPLICABLE	34566-6833	0	A	BLACK			70	69																							52	51			49	48	47					44	43	42	41	40																				73																																											SALEABLE	NOT APPLICABLE	34566-6843	0	A	BLACK	72	71	70	69	68																						52	51	50	49	48						46	45	44	43																						73																																										17	SALEABLE	NOT APPLICABLE	34566-6853	0	C	BLUE					69																						52	51	50	49	48					46	45	44	43																						73																																										SALEABLE	NOT APPLICABLE	34566-6863	0	A	BLACK	72	71	70	69	68																						52	51	50	49	48					46	45	44	43	42																						73																																											SALEABLE	NOT APPLICABLE	34566-6873	9	B	ST GRN	72				68	67																					52				48	47	46																													73																																											SALEABLE	NOT APPLICABLE	34566-6883	9	A	BLACK					67																						52	51			48	47	46																													73																																										SALEABLE	NOT APPLICABLE	34566-6893	0	B	ST GRN	72	71	70	69	68	67	66	65	64	63	62	61	60	59														52	51	50	49	48	47	46	45	44	43																											73																																											SALEABLE	NOT APPLICABLE	34566-6913	9	A	BLACK					68	67	66	65	64	63																	52	51	50	49	48	47	46	45	44	43	42																									73																																											SALEABLE	NOT APPLICABLE	34566-6923	9	C	BLUE	72	71	70	69																							52	51	50	49	48	47	46	45	44																											73																																																																																																																																																																																																																																																																																																																																																																																																																																								
						52	51	50	49	48	47					45	44	43	42	41	40	39																			73																																				18	SALEABLE	NOT APPLICABLE	34566-6823	9	C	BLUE	72				68	67																												52	51			49	48	47	46																												73																																					SALEABLE	NOT APPLICABLE	34566-6833	0	A	BLACK			70	69																													52	51			49	48	47					44	43	42	41	40																				73																																					SALEABLE	NOT APPLICABLE	34566-6843	0	A	BLACK	72	71	70	69	68																												52	51	50	49	48						46	45	44	43																						73																																				17	SALEABLE	NOT APPLICABLE	34566-6853	0	C	BLUE					69																												52	51	50	49	48					46	45	44	43																						73																																				SALEABLE	NOT APPLICABLE	34566-6863	0	A	BLACK	72	71	70	69	68																												52	51	50	49	48					46	45	44	43	42																						73																																					SALEABLE	NOT APPLICABLE	34566-6873	9	B	ST GRN	72				68	67																											52				48	47	46																													73																																					SALEABLE	NOT APPLICABLE	34566-6883	9	A	BLACK					67																												52	51			48	47	46																													73																																				SALEABLE	NOT APPLICABLE	34566-6893	0	B	ST GRN	72	71	70	69	68	67	66	65	64	63	62	61	60	59																				52	51	50	49	48	47	46	45	44	43																											73																																					SALEABLE	NOT APPLICABLE	34566-6913	9	A	BLACK					68	67	66	65	64	63																							52	51	50	49	48	47	46	45	44	43	42																									73																																					SALEABLE	NOT APPLICABLE	34566-6923	9	C	BLUE	72	71	70	69																													52	51	50	49	48	47	46	45	44																											73																																																																																																																																																																																																																																																																																																																																																																																																																																																																		
						73																																				18																																																																																																																																																																																																																																																																																																																																																																																																																																																																																																																																																																																																																																																																																																																																																																																																																																																																																																																																																																																																																																																																																																																																																																																																																																																																																																																																																																																																																																																																																																																																																																																																													
SALEABLE	NOT APPLICABLE	34566-6823	9	C	BLUE	72				68	67																						52	51			49	48	47	46																												73																																											SALEABLE	NOT APPLICABLE	34566-6833	0	A	BLACK			70	69																							52	51			49	48	47					44	43	42	41	40																				73																																											SALEABLE	NOT APPLICABLE	34566-6843	0	A	BLACK	72	71	70	69	68																						52	51	50	49	48						46	45	44	43																						73																																										17	SALEABLE	NOT APPLICABLE	34566-6853	0	C	BLUE					69																						52	51	50	49	48					46	45	44	43																						73																																										SALEABLE	NOT APPLICABLE	34566-6863	0	A	BLACK	72	71	70	69	68																						52	51	50	49	48					46	45	44	43	42																						73																																											SALEABLE	NOT APPLICABLE	34566-6873	9	B	ST GRN	72				68	67																					52				48	47	46																													73																																											SALEABLE	NOT APPLICABLE	34566-6883	9	A	BLACK					67																						52	51			48	47	46																													73																																										SALEABLE	NOT APPLICABLE	34566-6893	0	B	ST GRN	72	71	70	69	68	67	66	65	64	63	62	61	60	59														52	51	50	49	48	47	46	45	44	43																											73																																											SALEABLE	NOT APPLICABLE	34566-6913	9	A	BLACK					68	67	66	65	64	63																	52	51	50	49	48	47	46	45	44	43	42																									73																																											SALEABLE	NOT APPLICABLE	34566-6923	9	C	BLUE	72	71	70	69																							52	51	50	49	48	47	46	45	44																											73																																																																																																																																																																																																																																																																																																																																																																																																																																																																																																																																																						
						52	51			49	48	47	46																												73																																					SALEABLE	NOT APPLICABLE	34566-6833	0	A	BLACK			70	69																							52							51			49	48	47					44	43	42	41	40																				73																																					SALEABLE	NOT APPLICABLE	34566-6843	0	A	BLACK	72	71	70	69	68																						52							51	50	49	48						46	45	44	43																						73																																				17	SALEABLE	NOT APPLICABLE	34566-6853	0	C	BLUE					69																						52							51	50	49	48					46	45	44	43																						73																																				SALEABLE	NOT APPLICABLE	34566-6863	0	A	BLACK	72	71	70	69	68																						52							51	50	49	48					46	45	44	43	42																						73																																					SALEABLE	NOT APPLICABLE	34566-6873	9	B	ST GRN	72				68	67																					52										48	47	46																													73																																					SALEABLE	NOT APPLICABLE	34566-6883	9	A	BLACK					67																						52							51			48	47	46																													73																																				SALEABLE	NOT APPLICABLE	34566-6893	0	B	ST GRN	72	71	70	69	68	67	66	65	64	63	62	61	60	59																				52	51	50	49	48	47	46	45	44	43																											73																																					SALEABLE	NOT APPLICABLE	34566-6913	9	A	BLACK					68	67	66	65	64	63																	52							51	50	49	48	47	46	45	44	43	42																									73																																					SALEABLE	NOT APPLICABLE	34566-6923	9	C	BLUE	72	71	70	69																							52							51	50	49	48	47	46	45	44																											73																																																																																																																																																																																																																																																																																																																																																																																																																																																																																																																																																																																	
						73																																																																																																																																																																																																																																																																																																																																																																																																																																																																																																																																																																																																																																																																																																																																																																																																																																																																																																																																																																																																																																																																																																																																																																																																																																																																																																																																																																																																																																																																																																																																																																																																																																																	
SALEABLE	NOT APPLICABLE	34566-6833	0	A	BLACK			70	69																							52	51			49	48	47					44	43	42	41	40																				73																																											SALEABLE	NOT APPLICABLE	34566-6843	0	A	BLACK	72	71	70	69	68																						52	51	50	49	48						46	45	44	43																						73																																										17	SALEABLE	NOT APPLICABLE	34566-6853	0	C	BLUE					69																						52	51	50	49	48					46	45	44	43																						73																																										SALEABLE	NOT APPLICABLE	34566-6863	0	A	BLACK	72	71	70	69	68																						52	51	50	49	48					46	45	44	43	42																						73																																											SALEABLE	NOT APPLICABLE	34566-6873	9	B	ST GRN	72				68	67																					52				48	47	46																													73																																											SALEABLE	NOT APPLICABLE	34566-6883	9	A	BLACK					67																						52	51			48	47	46																													73																																										SALEABLE	NOT APPLICABLE	34566-6893	0	B	ST GRN	72	71	70	69	68	67	66	65	64	63	62	61	60	59														52	51	50	49	48	47	46	45	44	43																											73																																											SALEABLE	NOT APPLICABLE	34566-6913	9	A	BLACK					68	67	66	65	64	63																	52	51	50	49	48	47	46	45	44	43	42																									73																																											SALEABLE	NOT APPLICABLE	34566-6923	9	C	BLUE	72	71	70	69																							52	51	50	49	48	47	46	45	44																											73																																																																																																																																																																																																																																																																																																																																																																																																																																																																																																																																																																																																																																																																					
						52	51			49	48	47					44	43	42	41	40																				73																																					SALEABLE	NOT APPLICABLE	34566-6843	0	A	BLACK	72	71	70	69	68																												52	51	50	49	48						46	45	44	43																						73																																				17	SALEABLE	NOT APPLICABLE	34566-6853	0	C	BLUE					69																												52	51	50	49	48					46	45	44	43																						73																																				SALEABLE	NOT APPLICABLE	34566-6863	0	A	BLACK	72	71	70	69	68																												52	51	50	49	48					46	45	44	43	42																						73																																					SALEABLE	NOT APPLICABLE	34566-6873	9	B	ST GRN	72				68	67																											52				48	47	46																													73																																					SALEABLE	NOT APPLICABLE	34566-6883	9	A	BLACK					67																												52	51			48	47	46																													73																																				SALEABLE	NOT APPLICABLE	34566-6893	0	B	ST GRN	72	71	70	69	68	67	66	65	64	63	62	61	60	59																				52	51	50	49	48	47	46	45	44	43																											73																																					SALEABLE	NOT APPLICABLE	34566-6913	9	A	BLACK					68	67	66	65	64	63																							52	51	50	49	48	47	46	45	44	43	42																									73																																					SALEABLE	NOT APPLICABLE	34566-6923	9	C	BLUE	72	71	70	69																													52	51	50	49	48	47	46	45	44																											73																																																																																																																																																																																																																																																																																																																																																																																																																																																																																																																																																																																																																																																																																															
						73																																																																																																																																																																																																																																																																																																																																																																																																																																																																																																																																																																																																																																																																																																																																																																																																																																																																																																																																																																																																																																																																																																																																																																																																																																																																																																																																																																																																																																																																																																																																																																																																																																																	
SALEABLE	NOT APPLICABLE	34566-6843	0	A	BLACK	72	71	70	69	68																						52	51	50	49	48						46	45	44	43																						73																																										17	SALEABLE	NOT APPLICABLE	34566-6853	0	C	BLUE					69																						52	51	50	49	48					46	45	44	43																						73																																										SALEABLE	NOT APPLICABLE	34566-6863	0	A	BLACK	72	71	70	69	68																						52	51	50	49	48					46	45	44	43	42																						73																																											SALEABLE	NOT APPLICABLE	34566-6873	9	B	ST GRN	72				68	67																					52				48	47	46																													73																																											SALEABLE	NOT APPLICABLE	34566-6883	9	A	BLACK					67																						52	51			48	47	46																													73																																										SALEABLE	NOT APPLICABLE	34566-6893	0	B	ST GRN	72	71	70	69	68	67	66	65	64	63	62	61	60	59														52	51	50	49	48	47	46	45	44	43																											73																																											SALEABLE	NOT APPLICABLE	34566-6913	9	A	BLACK					68	67	66	65	64	63																	52	51	50	49	48	47	46	45	44	43	42																									73																																											SALEABLE	NOT APPLICABLE	34566-6923	9	C	BLUE	72	71	70	69																							52	51	50	49	48	47	46	45	44																											73																																																																																																																																																																																																																																																																																																																																																																																																																																																																																																																																																																																																																																																																																																																																																																																			
						52	51	50	49	48						46	45	44	43																						73																																				17	SALEABLE	NOT APPLICABLE	34566-6853	0	C	BLUE					69																												52	51	50	49	48					46	45	44	43																						73																																				SALEABLE	NOT APPLICABLE	34566-6863	0	A	BLACK	72	71	70	69	68																												52	51	50	49	48					46	45	44	43	42																						73																																					SALEABLE	NOT APPLICABLE	34566-6873	9	B	ST GRN	72				68	67																											52				48	47	46																													73																																					SALEABLE	NOT APPLICABLE	34566-6883	9	A	BLACK					67																												52	51			48	47	46																													73																																				SALEABLE	NOT APPLICABLE	34566-6893	0	B	ST GRN	72	71	70	69	68	67	66	65	64	63	62	61	60	59																				52	51	50	49	48	47	46	45	44	43																											73																																					SALEABLE	NOT APPLICABLE	34566-6913	9	A	BLACK					68	67	66	65	64	63																							52	51	50	49	48	47	46	45	44	43	42																									73																																					SALEABLE	NOT APPLICABLE	34566-6923	9	C	BLUE	72	71	70	69																													52	51	50	49	48	47	46	45	44																											73																																																																																																																																																																																																																																																																																																																																																																																																																																																																																																																																																																																																																																																																																																																																																																																																													
						73																																				17																																																																																																																																																																																																																																																																																																																																																																																																																																																																																																																																																																																																																																																																																																																																																																																																																																																																																																																																																																																																																																																																																																																																																																																																																																																																																																																																																																																																																																																																																																																																																																																																													
SALEABLE	NOT APPLICABLE	34566-6853	0	C	BLUE					69																						52	51	50	49	48					46	45	44	43																						73																																										SALEABLE	NOT APPLICABLE	34566-6863	0	A	BLACK	72	71	70	69	68																						52	51	50	49	48					46	45	44	43	42																						73																																											SALEABLE	NOT APPLICABLE	34566-6873	9	B	ST GRN	72				68	67																					52				48	47	46																													73																																											SALEABLE	NOT APPLICABLE	34566-6883	9	A	BLACK					67																						52	51			48	47	46																													73																																										SALEABLE	NOT APPLICABLE	34566-6893	0	B	ST GRN	72	71	70	69	68	67	66	65	64	63	62	61	60	59														52	51	50	49	48	47	46	45	44	43																											73																																											SALEABLE	NOT APPLICABLE	34566-6913	9	A	BLACK					68	67	66	65	64	63																	52	51	50	49	48	47	46	45	44	43	42																									73																																											SALEABLE	NOT APPLICABLE	34566-6923	9	C	BLUE	72	71	70	69																							52	51	50	49	48	47	46	45	44																											73																																																																																																																																																																																																																																																																																																																																																																																																																																																																																																																																																																																																																																																																																																																																																																																																																																																																																																	
						52	51	50	49	48					46	45	44	43																						73																																				SALEABLE	NOT APPLICABLE	34566-6863	0	A	BLACK	72	71	70	69	68																												52	51	50	49	48					46	45	44	43	42																						73																																					SALEABLE	NOT APPLICABLE	34566-6873	9	B	ST GRN	72				68	67																											52				48	47	46																													73																																					SALEABLE	NOT APPLICABLE	34566-6883	9	A	BLACK					67																												52	51			48	47	46																													73																																				SALEABLE	NOT APPLICABLE	34566-6893	0	B	ST GRN	72	71	70	69	68	67	66	65	64	63	62	61	60	59																				52	51	50	49	48	47	46	45	44	43																											73																																					SALEABLE	NOT APPLICABLE	34566-6913	9	A	BLACK					68	67	66	65	64	63																							52	51	50	49	48	47	46	45	44	43	42																									73																																					SALEABLE	NOT APPLICABLE	34566-6923	9	C	BLUE	72	71	70	69																													52	51	50	49	48	47	46	45	44																											73																																																																																																																																																																																																																																																																																																																																																																																																																																																																																																																																																																																																																																																																																																																																																																																																																																																																																																																											
						73																																																																																																																																																																																																																																																																																																																																																																																																																																																																																																																																																																																																																																																																																																																																																																																																																																																																																																																																																																																																																																																																																																																																																																																																																																																																																																																																																																																																																																																																																																																																																																																																																																																	
SALEABLE	NOT APPLICABLE	34566-6863	0	A	BLACK	72	71	70	69	68																						52	51	50	49	48					46	45	44	43	42																						73																																											SALEABLE	NOT APPLICABLE	34566-6873	9	B	ST GRN	72				68	67																					52				48	47	46																													73																																											SALEABLE	NOT APPLICABLE	34566-6883	9	A	BLACK					67																						52	51			48	47	46																													73																																										SALEABLE	NOT APPLICABLE	34566-6893	0	B	ST GRN	72	71	70	69	68	67	66	65	64	63	62	61	60	59														52	51	50	49	48	47	46	45	44	43																											73																																											SALEABLE	NOT APPLICABLE	34566-6913	9	A	BLACK					68	67	66	65	64	63																	52	51	50	49	48	47	46	45	44	43	42																									73																																											SALEABLE	NOT APPLICABLE	34566-6923	9	C	BLUE	72	71	70	69																							52	51	50	49	48	47	46	45	44																											73																																																																																																																																																																																																																																																																																																																																																																																																																																																																																																																																																																																																																																																																																																																																																																																																																																																																																																																																																																																																													
						52	51	50	49	48					46	45	44	43	42																						73																																					SALEABLE	NOT APPLICABLE	34566-6873	9	B	ST GRN	72				68	67																											52				48	47	46																													73																																					SALEABLE	NOT APPLICABLE	34566-6883	9	A	BLACK					67																												52	51			48	47	46																													73																																				SALEABLE	NOT APPLICABLE	34566-6893	0	B	ST GRN	72	71	70	69	68	67	66	65	64	63	62	61	60	59																				52	51	50	49	48	47	46	45	44	43																											73																																					SALEABLE	NOT APPLICABLE	34566-6913	9	A	BLACK					68	67	66	65	64	63																							52	51	50	49	48	47	46	45	44	43	42																									73																																					SALEABLE	NOT APPLICABLE	34566-6923	9	C	BLUE	72	71	70	69																													52	51	50	49	48	47	46	45	44																											73																																																																																																																																																																																																																																																																																																																																																																																																																																																																																																																																																																																																																																																																																																																																																																																																																																																																																																																																																																																																																																							
						73																																																																																																																																																																																																																																																																																																																																																																																																																																																																																																																																																																																																																																																																																																																																																																																																																																																																																																																																																																																																																																																																																																																																																																																																																																																																																																																																																																																																																																																																																																																																																																																																																																																	
SALEABLE	NOT APPLICABLE	34566-6873	9	B	ST GRN	72				68	67																					52				48	47	46																													73																																											SALEABLE	NOT APPLICABLE	34566-6883	9	A	BLACK					67																						52	51			48	47	46																													73																																										SALEABLE	NOT APPLICABLE	34566-6893	0	B	ST GRN	72	71	70	69	68	67	66	65	64	63	62	61	60	59														52	51	50	49	48	47	46	45	44	43																											73																																											SALEABLE	NOT APPLICABLE	34566-6913	9	A	BLACK					68	67	66	65	64	63																	52	51	50	49	48	47	46	45	44	43	42																									73																																											SALEABLE	NOT APPLICABLE	34566-6923	9	C	BLUE	72	71	70	69																							52	51	50	49	48	47	46	45	44																											73																																																																																																																																																																																																																																																																																																																																																																																																																																																																																																																																																																																																																																																																																																																																																																																																																																																																																																																																																																																																																																																																																																																											
						52				48	47	46																													73																																					SALEABLE	NOT APPLICABLE	34566-6883	9	A	BLACK					67																												52	51			48	47	46																													73																																				SALEABLE	NOT APPLICABLE	34566-6893	0	B	ST GRN	72	71	70	69	68	67	66	65	64	63	62	61	60	59																				52	51	50	49	48	47	46	45	44	43																											73																																					SALEABLE	NOT APPLICABLE	34566-6913	9	A	BLACK					68	67	66	65	64	63																							52	51	50	49	48	47	46	45	44	43	42																									73																																					SALEABLE	NOT APPLICABLE	34566-6923	9	C	BLUE	72	71	70	69																													52	51	50	49	48	47	46	45	44																											73																																																																																																																																																																																																																																																																																																																																																																																																																																																																																																																																																																																																																																																																																																																																																																																																																																																																																																																																																																																																																																																																																																																																																					
						73																																																																																																																																																																																																																																																																																																																																																																																																																																																																																																																																																																																																																																																																																																																																																																																																																																																																																																																																																																																																																																																																																																																																																																																																																																																																																																																																																																																																																																																																																																																																																																																																																																																	
SALEABLE	NOT APPLICABLE	34566-6883	9	A	BLACK					67																						52	51			48	47	46																													73																																										SALEABLE	NOT APPLICABLE	34566-6893	0	B	ST GRN	72	71	70	69	68	67	66	65	64	63	62	61	60	59														52	51	50	49	48	47	46	45	44	43																											73																																											SALEABLE	NOT APPLICABLE	34566-6913	9	A	BLACK					68	67	66	65	64	63																	52	51	50	49	48	47	46	45	44	43	42																									73																																											SALEABLE	NOT APPLICABLE	34566-6923	9	C	BLUE	72	71	70	69																							52	51	50	49	48	47	46	45	44																											73																																																																																																																																																																																																																																																																																																																																																																																																																																																																																																																																																																																																																																																																																																																																																																																																																																																																																																																																																																																																																																																																																																																																																																																																																																									
						52	51			48	47	46																													73																																				SALEABLE	NOT APPLICABLE	34566-6893	0	B	ST GRN	72	71	70	69	68	67	66	65	64	63	62	61	60	59																				52	51	50	49	48	47	46	45	44	43																											73																																					SALEABLE	NOT APPLICABLE	34566-6913	9	A	BLACK					68	67	66	65	64	63																							52	51	50	49	48	47	46	45	44	43	42																									73																																					SALEABLE	NOT APPLICABLE	34566-6923	9	C	BLUE	72	71	70	69																													52	51	50	49	48	47	46	45	44																											73																																																																																																																																																																																																																																																																																																																																																																																																																																																																																																																																																																																																																																																																																																																																																																																																																																																																																																																																																																																																																																																																																																																																																																																																																																																																			
						73																																																																																																																																																																																																																																																																																																																																																																																																																																																																																																																																																																																																																																																																																																																																																																																																																																																																																																																																																																																																																																																																																																																																																																																																																																																																																																																																																																																																																																																																																																																																																																																																																																																	
SALEABLE	NOT APPLICABLE	34566-6893	0	B	ST GRN	72	71	70	69	68	67	66	65	64	63	62	61	60	59														52	51	50	49	48	47	46	45	44	43																											73																																											SALEABLE	NOT APPLICABLE	34566-6913	9	A	BLACK					68	67	66	65	64	63																	52	51	50	49	48	47	46	45	44	43	42																									73																																											SALEABLE	NOT APPLICABLE	34566-6923	9	C	BLUE	72	71	70	69																							52	51	50	49	48	47	46	45	44																											73																																																																																																																																																																																																																																																																																																																																																																																																																																																																																																																																																																																																																																																																																																																																																																																																																																																																																																																																																																																																																																																																																																																																																																																																																																																																																																																																																						
						52	51	50	49	48	47	46	45	44	43																											73																																					SALEABLE	NOT APPLICABLE	34566-6913	9	A	BLACK					68	67	66	65	64	63																	52							51	50	49	48	47	46	45	44	43	42																									73																																					SALEABLE	NOT APPLICABLE	34566-6923	9	C	BLUE	72	71	70	69																							52							51	50	49	48	47	46	45	44																											73																																																																																																																																																																																																																																																																																																																																																																																																																																																																																																																																																																																																																																																																																																																																																																																																																																																																																																																																																																																																																																																																																																																																																																																																																																																																																																																																																																																	
						73																																																																																																																																																																																																																																																																																																																																																																																																																																																																																																																																																																																																																																																																																																																																																																																																																																																																																																																																																																																																																																																																																																																																																																																																																																																																																																																																																																																																																																																																																																																																																																																																																																																	
SALEABLE	NOT APPLICABLE	34566-6913	9	A	BLACK					68	67	66	65	64	63																	52	51	50	49	48	47	46	45	44	43	42																									73																																											SALEABLE	NOT APPLICABLE	34566-6923	9	C	BLUE	72	71	70	69																							52	51	50	49	48	47	46	45	44																											73																																																																																																																																																																																																																																																																																																																																																																																																																																																																																																																																																																																																																																																																																																																																																																																																																																																																																																																																																																																																																																																																																																																																																																																																																																																																																																																																																																																																																																																																						
						52	51	50	49	48	47	46	45	44	43	42																									73																																					SALEABLE	NOT APPLICABLE	34566-6923	9	C	BLUE	72	71	70	69																													52	51	50	49	48	47	46	45	44																											73																																																																																																																																																																																																																																																																																																																																																																																																																																																																																																																																																																																																																																																																																																																																																																																																																																																																																																																																																																																																																																																																																																																																																																																																																																																																																																																																																																																																																																																																																																
						73																																																																																																																																																																																																																																																																																																																																																																																																																																																																																																																																																																																																																																																																																																																																																																																																																																																																																																																																																																																																																																																																																																																																																																																																																																																																																																																																																																																																																																																																																																																																																																																																																																																	
SALEABLE	NOT APPLICABLE	34566-6923	9	C	BLUE	72	71	70	69																							52	51	50	49	48	47	46	45	44																											73																																																																																																																																																																																																																																																																																																																																																																																																																																																																																																																																																																																																																																																																																																																																																																																																																																																																																																																																																																																																																																																																																																																																																																																																																																																																																																																																																																																																																																																																																																																																																																																				
						52	51	50	49	48	47	46	45	44																											73																																																																																																																																																																																																																																																																																																																																																																																																																																																																																																																																																																																																																																																																																																																																																																																																																																																																																																																																																																																																																																																																																																																																																																																																																																																																																																																																																																																																																																																																																																																																																																																																														
						73																																																																																																																																																																																																																																																																																																																																																																																																																																																																																																																																																																																																																																																																																																																																																																																																																																																																																																																																																																																																																																																																																																																																																																																																																																																																																																																																																																																																																																																																																																																																																																																																																																																	

MX123 52/66/73/80-WAY RECEPTACLE ASSY SEALED PIN OUT SHEET

STATUS	GM PART #	HRNS CONN ASSY			TPA	GROMMET CAP																							
		MATERIAL/PART	WIRE DRESS OPTION	KEY OPTION Fp	COLOR OPTION Fp	NUMBERS INDICATE CAVITIES OPEN FOR CIRCUITS																							
		NUMBER				Fp																							
SALEABLE	NOT APPLICABLE	34566-6933	9	B	ST GRAY	72				68	67				63	62	61	60	59				55		53				
						52				48	47	46		44	43		41	40				38	37	36	35				
						73						30			27							22	21	20	19	18	17		
SALEABLE	NOT APPLICABLE	34566-6943	9	A	BLACK	72	71	70	69	68		66	65	64	63		61	60				57	56		54	53			
						52	51	50	49	48		46	45	44	43	42	41	40	39	38	37	36				34	33		
						73				32	31	30	29	28							23	22	21						
SALEABLE	NOT APPLICABLE	34566-6953	0	A	BLACK	72	71	70	69			66	65	64	63		61	60				57	56		54	53			
						52	51	50	49			46	45	44	43			40	39	38	37	36				34	33		
						73				32	31	30	29	28			26	25		23	22	21	20					2	1
SALEABLE	NOT APPLICABLE	34566-6963	0	B	ST GRAY	72		70		68	67					62	61							55					
						52				48	47	46			43			40								20	19	18	
						73						30														8		4	2
SALEABLE	NOT APPLICABLE	34566-6973	0	C	BLUE		71	70	69			67		65	64		62	61	60				57		55	54			
						52	51	50	49	48	47	46	45	44		42	41							37		35	34	33	
						73				32				28	27	26	25										19	18	17
SALEABLE	NOT APPLICABLE	34566-6983	0	C	BLUE		71		69			67		65	64		62	61	60				57		55	54			
						52	51	50		48	47	46	45	44		42								37		35	34	33	
						73								28	27	26												18	
SALEABLE	NOT APPLICABLE	34566-6993	0	G	BLUE			78	77	76									67	66	65								
						40	39	38	37	36	35	34	33	32				29	28					25				21	
						20	19	18	17	16	15	14	13	12														3	1
SALEABLE	NOT APPLICABLE	34566-7013	9	A	BLACK		71	70	69					64	63	62	61	60	59	58	57	56	55	54	53				
						52	51	50	49				45	44	43	42	41		39							37	36	34	
						73				32			29	28	27	26												19	18
SALEABLE	NOT APPLICABLE	34566-7023	0	A	BLACK	72	71	70	69	68		66	65	64			61	60				57	56		54	53			
						52	51	50	49	48		46	45	44	43			40	39	38	37	36				34	33		
						73						31	30	29	28			26	25		23	22	21	20					
SALEABLE	NOT APPLICABLE	34566-7033	0	A	BLACK			70	69					65		63	62	61	60			58	57	56	55	54	53		
						52	51		49					44	43	42	41							37	36		34		
						73				32			29	28	27	26								21			19	18	
SALEABLE	NOT APPLICABLE	34566-7043	0	B	ST GRAY					68	67				63	62	61	60	59					55					
						52						46			43		41	40											
						73									27												20	19	18
SALEABLE	NOT APPLICABLE	34566-7053	0	C	BLUE		71		69			67		65	64		62	61	60				57		54				
						52	51	50	49	48	47	46	45	44		42	41							37		34	33		
						73				16	15	14	13	12	11	10	9	8	7										
SALEABLE	NOT APPLICABLE	34566-7063	0	C	BLUE	72		70		68	67	66			63	62			59			57				53			
						52	51			48	47	46		44				40	39								34	33	
						73				32		30				26	25					22	21						
SALEABLE	NOT APPLICABLE	34566-7073	9	F	NATURAL				69	68											58	57				33			
						73							30														19	18	17
																											3	2	1
SALEABLE	NOT APPLICABLE	34566-7083	9	B	ST GRAY																								
						73				16	15	14	13	12	11	10			8	7							3	2	1





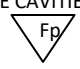
MX123 52/66/73/80-WAY RECEPTACLE ASSY SEALED PIN OUT SHEET

STATUS	GM PART #	HRNS CONN ASSY			TPA	GROMMET CAP																																		
		MATERIAL/PART	WIRE DRESS OPTION	KEY OPTION Fp		COLOR OPTION Fp	NUMBERS INDICATE CAVITIES OPEN FOR CIRCUITS																																	
		NUMBER					Fp																																	
SALEABLE	NOT APPLICABLE	34566-7093	9	B	ST GRY	72	71	70	69	68	67	66	65	64	63					59						53														
						52	51	50	49	48	47	46	45	44	43							39						34	33											
						73				32	31	30	29	28	27	26	25	24	23									3	2	1										
SALEABLE	NOT APPLICABLE	34566-7113	9	G	BLUE	80	79	78		76						71				67																				
						60	59	58	57			54				51	50	49	48	47						44		41												
						40	39		37				33	32		30	29	28	27			25	24																	
SALEABLE	NOT APPLICABLE	34566-7123	9	G	BLUE	20	19	18					12	11						5				3	2															
						80	79	78							71							67																		
						60	59	58	57			54				51	50	49	48	47						44		41												
SALEABLE	NOT APPLICABLE	34566-7123	9	G	BLUE	40	39						33	32		30	29	28	27			25	24																	
						20	19	18					12	11			9	8				5				3	2													
																						58						54	53											
SALEABLE	NOT APPLICABLE	34566-7133	9	B	ST GRY												42																							
						73									27		25																							
																	10																							
SALEABLE	NOT APPLICABLE	34566-7143	0	A	BLACK			70	69						63			60	59	58	57	56	55	54	53															
						52	51		49	48	47			44	43	42	41						37	36			34	33												
						73				32					28												19	18												
SALEABLE	NOT APPLICABLE	34566-7153	0	C	BLUE																																			
						72		70		68	67					63	62				59	58	57					53												
						52	51		49	48	47	46		44			42		40	39			37	36				34	33											
SALEABLE	NOT APPLICABLE	34566-7153	0	C	BLUE	73				32		30				26	25	24		22	21		19	18	17															
												15	14				10	9	8		6	5	4					2	1											
SALEABLE	NOT APPLICABLE	34566-7163	0	A	BLACK	72		70	69	68	67						61	60						56	55	54	53													
						52		50	49	48	47			45	44	43		41	40								35	34	33											
						73				16	15					11				9	8	7	6	5	4	3	2	1												
SALEABLE	NOT APPLICABLE	34566-7173	0	B	ST GRY					68	67	66	65	64	63																									
												46	45		43								38					34												
						73				32		30	29	28	27								22						17											
SALEABLE	NOT APPLICABLE	34566-7183	0	B	ST GRY																																			
						72	71	70	69	68	67	66	65	64	63	62	61	60	59	58	57	56	55	54	53															
						52	51	50	49	48	47	46	45	44	43	42	41	40	39	38	37	36	35	34	33															
SALEABLE	NOT APPLICABLE	34566-7183	0	B	ST GRY	73				32	31	30	29	28	27	26	25	24		22	21	20	19	18	17															
												16	15	14	13	12	11	10	9	8	7	6	5	4	3	2	1													
SALEABLE	NOT APPLICABLE	34566-7193	0	A	BLACK			70	69																															
						52	51		49					44	43	42	41						37	36				34												
						73				32				29	28	27	26											19	18	17										
SALEABLE	NOT APPLICABLE	34566-7213	0	A	BLACK																																			
						52	51		49					44	43	42	41									3	2	1												
						73				32				28		26												19	18	17										
SALEABLE	NOT APPLICABLE	34566-7223	0	C	BLUE			70		68		66																												
						52	51			48	47	46		44			42		40	39								34	33											
						73				32		30				26	25	24		22	21	20																		
SALEABLE	NOT APPLICABLE	34566-7233	9	A	BLACK																																			
						52	51					46	45		43																									
						73				32		30	29				25										20													
SALEABLE	NOT APPLICABLE	34566-7243	9	A	BLACK																																			
						52	51			48		46	45		43																									
						73				32		30	29				25											20												
SALEABLE	TBD	34822-0073	0	A	BLACK		63	62	61	60	59																													
							47																																	
						65									28						25					22	21	20	19	18	17									
																54	53		51		49	66																		
																38	37		35		33																			

MX123 52/66/73/80-WAY RECEPTACLE ASSY SEALED PIN OUT SHEET

STATUS	GM PART #	HRNS CONN ASSY			TPA	GROMMET CAP																						
		MATERIAL/PART	WIRE DRESS OPTION	KEY OPTION Fp	COLOR OPTION Fp	NUMBERS INDICATE CAVITIES OPEN FOR CIRCUITS																						
		NUMBER				Fp																						
SALEABLE	TBD	34822-0083	9	A	BLACK	63	62	61	60	59						54	53		51		49	66						
						47									39	38	37		35									
						65									28			25				22	21	20	19	18	17	
SALEABLE	NOT APPLICABLE	34566-7253	0	B	ST GRAY	72										62	61											
						52				48	47	46		44	43		41	40										
						73																	20	19	18			
SALEABLE	NOT APPLICABLE	34566-7263	0	C	BLUE				69		67	66		64		62		60				57		54				
						52	51	50		48		46	45	44		42								37		34	33	
						73									28	27	26										18	
SALEABLE	NOT APPLICABLE	34566-7273	0	C	BLUE				69		67	66		64		62		60				57		55	54			
						52	51	50		48		46	45	44		42								37		35	34	33
						73									28	27	26										19	18
SALEABLE	NOT APPLICABLE	34566-7283	0	C	BLUE				69		67	66		64		62		60				57		55	54			
						52	51	50		48		46	45	44		42								37		35	34	33
						73									28	27	26										19	18
SALEABLE	NOT APPLICABLE	34566-7293	9	A	BLACK				69		67	66		64		62		60				57		55	54			
						52	51	50	49	48		46	45	44	43									39		34	33	
						73									32	31	30	29	28	27	26	25	24	23				17
SALEABLE	NOT APPLICABLE	34566-7313	0	B	ST GRAY				69		67	66		64		62		60				57		55	54			
						52				48	47	46			43													
						73																			22	21	20	19
SALEABLE	NOT APPLICABLE	34566-7333	9	B	ST GRAY	72	71	70	69	68	67	66	65	64	63	62	61	60	59				57	56	55			
						52	51	50	49	48	47	46	45	44	43			41	40	39	38	37	36	35	34	33		
						73													26		24	23	22	21	20	19	18	17
SALEABLE	NOT APPLICABLE	34566-7343	9	B	ST GRAY				69		67	66		64		62		60				57		55	54			
						52				48		46	45	44	43									39	38		35	
						73									32	31	30	29	28	27			23	22			19	
SALEABLE	NOT APPLICABLE	34566-7353	9	C	BLUE				69		67	66		64		62		60				57		55	54			
						52	51	50		48	47	46	45	44		42										35	34	33
						73																					19	18
SALEABLE	NOT APPLICABLE	34566-7363	0	B	ST GRAY				69		67	66		64		62		60				57		55	54			
						52				48		46		44	43			62	61	60	59							
						73																					20	19
SALEABLE	NOT APPLICABLE	34566-7373	0	A	BLACK	72	71	70	69	68		66	65	64			61	60				57	56		54	53		
						52	51	50	49	48		46	45	44	43	42		40	39	38	37	36				34	33	
						73																						2
SALEABLE	NOT APPLICABLE	34566-7383	0	C	BLUE		71	70			67	66	65	64			61	60				57		54				
						52	51	50	49	48	47		45	44			41								37		34	33
						73																						17
SALEABLE	NOT APPLICABLE	34566-7393	0	B	ST GRAY	72										62	61							55				
						52				48	47	46		44	43													
						73																						20
SALEABLE	NOT APPLICABLE	34566-7413	0	A	BLACK	72	71	70	69	68		66	65	64	63		61	60				57	56		54	53		
							51	50	49	48		46	45	44	43	42		40	39	38	37	36				34	33	
						73																						2

MX123 52/66/73/80-WAY RECEPTACLE ASSY SEALED PIN OUT SHEET

STATUS	GM PART #	HRNS CONN ASSY			TPA	GROMMET CAP																				
		MATERIAL/PART	WIRE DRESS OPTION	KEY OPTION	COLOR	NUMBERS INDICATE CAVITIES OPEN FOR CIRCUITS																				
		NUMBER		OPTION 	OPTION 																					
SALEABLE	NOT APPLICABLE	34566-7423	0	C	BLUE			70	69		67			64			61	60			57			54	33	
						52	51	50	49	48	47	46	45	44			41	40			37			34	33	
						73					32			28	27		25							18	17	
						72				68						62	61	60	59				55			
SALEABLE	NOT APPLICABLE	34566-7433	0	B	ST GRAY	52				48	47	46		44	43		41	40		38	37	36	35			
						73					16	15	14					8					20	19	18	17
						72	71	70	69	68			66	65	64	63			60			57	56		54	
SALEABLE	NOT APPLICABLE	34566-7443	0	A	BLACK	52	51	50	49	48			46	45	44	43	42		40	39	38	37	36		34	
						73							31	30	29	28		26	25		23	22	21	20		
												15	14	13	12			9		7	6	5	4		2	
SALEABLE	NOT APPLICABLE	34566-7453	0	C	BLUE		71	70			67	66	65	64			61	60		58	57			54		
						52	51	50	49	48	47		45	44			41			38	37			34	33	
						73					32			28	27		25							18	17	
												16	15	14	13	12	11	10	9	8	7					
SALEABLE	NOT APPLICABLE	34566-7463	0	B	ST GRAY	72				68						62	61						55			
						52				48	47	46			43			40								
						73							30						8			22	21	20	19	18
												16	15	14								4			2	
SALEABLE	NOT APPLICABLE	34566-7473	0	B	ST GRAY	72				68	67				63	62	61						55			
						52				48	47	46			43			40								
						73							30		27							22	21	20	19	18
												16		14			11			8		6		4		
SALEABLE	NOT APPLICABLE	34566-7483	0	B	ST GRAY	72				68						62	61						55			
						52				48	47	46			43			40								
						73							30									22	21	20	19	18
												16	15	14					8			6		4		2
SALEABLE	NOT APPLICABLE	34566-7493	0	C	BLUE				69		67			64			62		60			57		54		
						52	51	50		48	47	46	45	44		42						37		35	34	33
						73					32			28	27	26							19	18	17	
												16	15	14	13	12	11	10	9	8	7					
SALEABLE	NOT APPLICABLE	34566-7513	9	A	BLACK	72	71	70	69	68			66	65	64	63		61	60			57	56		54	53
						52	51	50	49	48			46	45	44	43		40	39	38	37	36		34	33	
						73					32	31	30	29	28					23	22	21	20			
												15	14	13	12				7	6	5	4		2		
SALEABLE	NOT APPLICABLE	34566-7523	0	A	BLACK	72								64		62	61			59	58	57	56	55	54	
						52	51			48	47	46	45		43		41	40				37			33	
						73					32		30	29		27	26	25	24				20			
												16	15		13			11	10	9			4			
SALEABLE	NOT APPLICABLE	34566-7533	0	G	BLUE	80	79	78								71	70					67				
						60	59	58	57			54			51	50	49	48	47			45	44		42	41
						40	39		37	36		34	33	32		30	29	28	27			25	24	23	22	21
						20	19	18					13	12	11		9	8			5		3	2	1	
SALEABLE	NOT APPLICABLE	34566-7543 SAME AS P/N 34566-1553	0	A	BLACK																					
						73																				
SALEABLE	NOT APPLICABLE	34566-7553 SAME AS P/N 34566-1983	0	B	ST GRAY																					
						73																				
SALEABLE	NOT APPLICABLE	34566-7563 SAME AS P/N 34566-1993	0	C	BLUE																					
						73																				
SALEABLE	NOT APPLICABLE	34566-7573	0	B	ST GRAY	72		70		68						62	61							55		
						52				48	47	46			43			40								
						73							30								22	21	20	19	18	17
												16	15	14					8			6		4		2

MX123 52/66/73/80-WAY RECEPTACLE ASSY SEALED PIN OUT SHEET

STATUS	GM PART #	HRNS CONN ASSY			TPA	GROMMET CAP																																																																																																																																																																																																																																																																																																																																																																																																																																																																																																																																																																																																																																																																																																																																																																																																																																																																																																																																																																																																																																																																																																																																																																																																																																																																																																																																																																																																																																				
		MATERIAL/PART	WIRE DRESS OPTION	KEY OPTION Fp		COLOR OPTION Fp	NUMBERS INDICATE CAVITIES OPEN FOR CIRCUITS																																																																																																																																																																																																																																																																																																																																																																																																																																																																																																																																																																																																																																																																																																																																																																																																																																																																																																																																																																																																																																																																																																																																																																																																																																																																																																																																																																																																																																			
		NUMBER			Fp																																																																																																																																																																																																																																																																																																																																																																																																																																																																																																																																																																																																																																																																																																																																																																																																																																																																																																																																																																																																																																																																																																																																																																																																																																																																																																																																																																																																																																					
SALEABLE	NOT APPLICABLE	34566-7583	9	A	BLACK	72		70			67				63			60	59	58	57										52				48	47	46			43	42			40	39	38	37												73						32	31	30	29	28	27							22	21							2	1	SALEABLE	NOT APPLICABLE	34566-7593	9	A	BLACK	72		70	69	68				64		62	61		59	58	57	56	55	54	53						52	51	50		48	47	46	45		43		41	40					37		35						33	73						32		30	29		27	26	25	24					20	19	18							SALEABLE	TBD	34822-0093	9	A	BLACK		63	62	61	60	59					54	53		51		49	66							47								38	37		35		33													65										28				25			22	21	20	19	18	17					SALEABLE	TBD	34822-0103	0	A	BLACK		63					58	57	56	55	54	53		51		49	66							47						41	40		38	37		35		33												65										28	27	26	25			22					18	17					SALEABLE	TBD	34822-0113	9	A	BLACK				61	60	59	58		56	55				51		49	66														42																			65																										17	SALEABLE	NOT APPLICABLE	34822-0123	9	C	BLUE	64	63	62	61	60					55	54															48	47	46	45				42			39			36	35													65							31				27										19						SALEABLE	NOT APPLICABLE	34566-7613	9	H	ST GRAY	80	79	78			75				71	70			67												60	59		57			54			51	50	49	48	47		45	44			42	41						40	39		37	36		34	33	32		30	29	28	27		25	24	23	22	21								SALEABLE	NOT APPLICABLE	34566-7623	9	G	BLUE	80	79	78			75				71	70			67											60	59	58	57			54			51	50	49	48	47		45	44			42	41					40	39		37	36		34	33	32		30	29	28	27		25	24	23	22	21							SALEABLE	NOT APPLICABLE	34566-7623	9	G	BLUE	20	19	18						13	12	11		9	8			5				3	2	1																												65																										SALEABLE	TBD	34822-0133	0	C	BLUE	64	63	62	61	60					55	54														48	47	46	45				42			39			36	35												65							31				27										19					SALEABLE	NOT APPLICABLE	34566-7633	9	A	BLACK	72	71	70	69	68	67	66	65	64	63			60	59	58	57	56	55	54							52	51	50	49	48	47	46	45	44	43	42	41	40	39	38	37	36	35	34								73						32	31	30	29	28	27	26	25		23	22	21	20		18	17						SALEABLE	NOT APPLICABLE	34566-7643	9	B	ST GRAY							46	45					59	58																																				73						32		30	29	28	27				23	22								17		SALEABLE	TBD	34822-0143	0	A	BLACK				61	60	59	58		56	55				51		49	66													42																			65														10				6				4			1	SALEABLE	NOT APPLICABLE	34566-7653	0	B	ST GRAY	72		70								62	61									55				52				48	47	46			43			40														73								30									22	21	20	19	18					SALEABLE	NOT APPLICABLE	34566-7663	0	B	ST GRAY							46	45																																										73						32		30																		SALEABLE	NOT APPLICABLE	34566-7673	0	C	BLUE		71	70	69		67	66	65	64			61	60	59	58	57			54						52	51	50	49	48	47	46	45	44		41		39	38	37										34	33	73						32					28	27		25		23								18	17																																																																	
						52				48	47	46			43	42			40	39	38	37												73						32	31	30	29	28	27							22	21							2	1	SALEABLE	NOT APPLICABLE	34566-7593	9	A	BLACK	72		70	69	68				64		62	61		59	58	57	56	55	54							53						52	51	50		48	47	46	45		43		41	40					37		35						33	73						32		30	29		27	26	25	24					20	19	18							SALEABLE	TBD	34822-0093	9	A	BLACK		63	62	61	60	59					54	53								51		49	66							47								38	37		35		33													65										28				25			22	21	20	19	18	17					SALEABLE	TBD	34822-0103	0	A	BLACK		63					58							57	56	55	54	53		51		49	66							47						41	40		38	37		35		33												65										28	27	26	25			22					18	17					SALEABLE	TBD	34822-0113	9	A	BLACK										61	60	59	58		56	55				51		49	66														42																			65																										17	SALEABLE							NOT APPLICABLE	34822-0123	9	C	BLUE	64	63	62	61	60					55	54															48	47	46	45				42			39			36	35													65							31				27										19												SALEABLE	NOT APPLICABLE	34566-7613	9	H	ST GRAY	80	79	78			75				71	70			67												60	59		57			54			51	50	49	48	47		45	44			42	41						40	39		37	36		34	33	32		30	29	28	27		25							24	23	22	21								SALEABLE	NOT APPLICABLE	34566-7623	9	G	BLUE	80	79	78			75				71	70			67											60	59	58	57			54			51	50	49	48	47		45	44			42	41					40	39		37	36		34	33	32								30	29	28	27		25	24	23	22	21							SALEABLE	NOT APPLICABLE	34566-7623	9	G	BLUE	20	19	18						13	12	11		9	8			5				3	2	1																												65																													SALEABLE	TBD	34822-0133	0	C	BLUE	64	63	62	61	60					55	54														48	47	46	45				42			39			36	35																		65							31				27										19					SALEABLE	NOT APPLICABLE	34566-7633	9	A	BLACK	72	71	70	69	68	67	66	65	64	63			60	59	58	57	56	55	54							52	51	50	49	48	47	46	45	44	43	42	41	40	39	38	37	36	35	34														73						32	31	30	29	28	27	26	25		23	22	21	20		18	17						SALEABLE	NOT APPLICABLE	34566-7643	9	B	ST GRAY							46	45					59	58																																										73						32		30	29	28	27				23	22								17		SALEABLE	TBD	34822-0143	0	A	BLACK				61	60	59	58		56	55				51		49	66													42																									65														10				6				4			1	SALEABLE	NOT APPLICABLE	34566-7653	0	B	ST GRAY	72		70								62	61									55				52										48	47	46			43			40														73								30									22	21	20	19	18					SALEABLE	NOT APPLICABLE	34566-7663	0	B	ST GRAY							46	45																																																73						32		30																		SALEABLE	NOT APPLICABLE	34566-7673	0	C	BLUE		71	70	69		67	66	65	64			61	60	59	58	57			54						52	51	50	49	48	47	46	45	44		41		39	38	37										34	33	73						32					28	27		25		23								18	17			
						73						32	31	30	29	28	27							22	21							2	1																																																																																																																																																																																																																																																																																																																																																																																																																																																																																																																																																																																																																																																																																																																																																																																																																																																																																																																																																																																																																																																																																																																																																																																																																																																																																																																																																																																																									
SALEABLE	NOT APPLICABLE	34566-7593	9	A	BLACK	72		70	69	68				64		62	61		59	58	57	56	55	54	53						52	51	50		48	47	46	45		43		41	40					37		35						33	73											32		30	29		27	26	25	24					20	19	18							SALEABLE	TBD	34822-0093	9	A	BLACK		63	62	61	60	59					54	53		51		49	66							47								38	37		35		33													65																28				25			22	21	20	19	18	17					SALEABLE	TBD	34822-0103	0	A	BLACK		63					58	57	56	55	54	53		51		49	66							47						41	40		38	37		35		33												65																28	27	26	25			22					18	17					SALEABLE	TBD	34822-0113	9	A	BLACK				61	60	59	58		56	55				51		49	66														42																			65																																17	SALEABLE	NOT APPLICABLE	34822-0123	9	C	BLUE	64	63	62	61	60					55	54															48	47	46	45				42			39			36	35													65							31				27															19						SALEABLE	NOT APPLICABLE	34566-7613	9	H	ST GRAY	80	79	78			75				71	70			67												60	59		57			54			51	50	49	48	47		45	44			42	41						40	39		37	36		34	33	32		30	29	28							27		25	24	23	22	21								SALEABLE	NOT APPLICABLE	34566-7623	9	G	BLUE	80	79	78			75				71	70			67											60	59	58	57			54			51	50	49	48	47		45	44			42	41					40	39		37	36		34	33	32		30	29	28	27								25	24	23	22	21							SALEABLE	NOT APPLICABLE	34566-7623	9	G	BLUE	20	19	18						13	12	11		9	8			5				3	2	1																												65																																SALEABLE	TBD	34822-0133	0	C	BLUE	64	63	62	61	60					55	54														48	47	46	45				42			39			36	35												65							31										27										19					SALEABLE	NOT APPLICABLE	34566-7633	9	A	BLACK	72	71	70	69	68	67	66	65	64	63			60	59	58	57	56	55	54							52	51	50	49	48	47	46	45	44	43	42	41	40	39	38	37	36	35	34								73						32	31	30	29							28	27	26	25		23	22	21	20		18	17						SALEABLE	NOT APPLICABLE	34566-7643	9	B	ST GRAY							46	45					59	58																																				73						32		30	29	28	27										23	22								17		SALEABLE	TBD	34822-0143	0	A	BLACK				61	60	59	58		56	55				51		49	66													42																			65																				10				6				4			1	SALEABLE	NOT APPLICABLE	34566-7653	0	B	ST GRAY	72		70								62	61									55				52				48	47	46			43			40														73								30															22	21	20	19	18					SALEABLE	NOT APPLICABLE	34566-7663	0	B	ST GRAY							46	45																																										73						32		30																								SALEABLE	NOT APPLICABLE	34566-7673	0	C	BLUE		71	70	69		67	66	65	64			61	60	59	58	57			54						52	51	50	49	48	47	46	45	44		41		39	38	37										34	33	73						32											28	27		25		23								18	17																																																																
						52	51	50		48	47	46	45		43		41	40					37		35						33	73						32		30	29		27	26	25	24					20	19	18							SALEABLE	TBD	34822-0093	9	A	BLACK		63	62	61	60	59					54	53		51		49	66							47														38	37		35		33													65										28				25			22	21	20	19	18	17					SALEABLE	TBD	34822-0103	0	A	BLACK		63					58	57	56	55	54	53		51		49	66							47												41	40		38	37		35		33												65										28	27	26	25			22					18	17					SALEABLE	TBD	34822-0113	9	A	BLACK				61	60	59	58		56	55				51		49	66																				42																			65																										17	SALEABLE	NOT APPLICABLE	34822-0123	9	C	BLUE	64	63	62	61	60					55	54																					48	47	46	45				42			39			36	35													65							31				27										19						SALEABLE	NOT APPLICABLE	34566-7613	9	H	ST GRAY	80	79	78			75				71	70			67																		60	59		57			54			51	50	49	48	47		45	44			42	41						40	39		37	36		34	33	32		30	29	28	27		25	24	23	22	21								SALEABLE	NOT APPLICABLE	34566-7623	9	G	BLUE	80	79	78			75				71	70			67																	60	59	58	57			54			51	50	49	48	47		45	44			42	41					40	39		37	36		34	33	32		30	29	28	27		25	24	23	22	21							SALEABLE	NOT APPLICABLE	34566-7623	9	G	BLUE	20	19	18						13	12	11		9	8			5				3	2	1																																		65																										SALEABLE	TBD	34822-0133	0	C	BLUE	64	63	62	61	60					55	54																				48	47	46	45				42			39			36	35												65							31				27										19					SALEABLE	NOT APPLICABLE	34566-7633	9	A	BLACK	72	71	70	69	68	67	66	65	64	63			60	59	58	57	56	55	54													52	51	50	49	48	47	46	45	44	43	42	41	40	39	38	37	36	35	34								73						32	31	30	29	28	27	26	25		23	22	21	20		18	17						SALEABLE	NOT APPLICABLE	34566-7643	9	B	ST GRAY							46	45					59	58																																										73						32		30	29	28	27				23	22								17		SALEABLE	TBD	34822-0143	0	A	BLACK				61	60	59	58		56	55				51		49	66																			42																			65														10				6				4			1	SALEABLE	NOT APPLICABLE	34566-7653	0	B	ST GRAY	72		70								62	61									55										52				48	47	46			43			40														73								30									22	21	20	19	18					SALEABLE	NOT APPLICABLE	34566-7663	0	B	ST GRAY							46	45																																																73						32		30																		SALEABLE	NOT APPLICABLE	34566-7673	0	C	BLUE		71	70	69		67	66	65	64			61	60	59	58	57			54												52	51	50	49	48	47	46	45	44		41		39	38	37										34	33	73						32					28	27		25		23								18	17																																																																																													
						73						32		30	29		27	26	25	24					20	19	18																																																																																																																																																																																																																																																																																																																																																																																																																																																																																																																																																																																																																																																																																																																																																																																																																																																																																																																																																																																																																																																																																																																																																																																																																																																																																																																																																																																																															
SALEABLE	TBD	34822-0093	9	A	BLACK		63	62	61	60	59					54	53		51		49	66																																																																																																																																																																																																																																																																																																																																																																																																																																																																																																																																																																																																																																																																																																																																																																																																																																																																																																																																																																																																																																																																																																																																																																																																																																																																																																																																																																																																																				
							47								38	37		35		33													65										28				25			22	21	20	19	18	17					SALEABLE	TBD	34822-0103	0	A	BLACK		63					58	57	56	55	54	53		51		49	66							47						41	40		38	37		35		33												65										28	27	26	25			22					18	17					SALEABLE	TBD	34822-0113	9	A	BLACK				61	60	59	58		56	55				51		49	66														42																			65																										17	SALEABLE	NOT APPLICABLE	34822-0123	9	C	BLUE	64	63	62	61	60					55	54															48	47	46	45				42			39			36	35													65							31				27										19						SALEABLE	NOT APPLICABLE	34566-7613	9	H	ST GRAY	80	79	78			75				71	70			67												60	59		57			54			51	50	49	48	47		45	44			42	41						40	39		37	36		34	33	32		30	29	28	27		25	24	23	22	21								SALEABLE	NOT APPLICABLE	34566-7623	9	G	BLUE	80	79	78			75				71	70			67											60	59	58	57			54			51	50	49	48	47		45	44			42	41					40	39		37	36		34	33	32		30	29	28	27		25	24	23	22	21							SALEABLE	NOT APPLICABLE	34566-7623	9	G	BLUE	20	19	18						13	12	11		9	8			5				3	2	1																												65																										SALEABLE	TBD	34822-0133	0	C	BLUE	64	63	62	61	60					55	54														48	47	46	45				42			39			36	35												65							31				27										19					SALEABLE	NOT APPLICABLE	34566-7633	9	A	BLACK	72	71	70	69	68	67	66	65	64	63			60	59	58	57	56	55	54							52	51	50	49	48	47	46	45	44	43	42	41	40	39	38	37	36	35	34								73						32	31	30	29	28	27	26	25		23	22	21	20		18	17						SALEABLE	NOT APPLICABLE	34566-7643	9	B	ST GRAY							46	45					59	58																																				73						32		30	29	28	27				23	22								17		SALEABLE	TBD	34822-0143	0	A	BLACK				61	60	59	58		56	55				51		49	66													42																			65														10				6				4			1	SALEABLE	NOT APPLICABLE	34566-7653	0	B	ST GRAY	72		70								62	61									55				52				48	47	46			43			40														73								30									22	21	20	19	18					SALEABLE	NOT APPLICABLE	34566-7663	0	B	ST GRAY							46	45																																										73						32		30																		SALEABLE	NOT APPLICABLE	34566-7673	0	C	BLUE		71	70	69		67	66	65	64			61	60	59	58	57			54						52	51	50	49	48	47	46	45	44		41		39	38	37										34	33	73						32					28	27		25		23								18	17																																																																																																																																																																																																																																																																			
						65										28				25			22	21	20	19	18	17																																																																																																																																																																																																																																																																																																																																																																																																																																																																																																																																																																																																																																																																																																																																																																																																																																																																																																																																																																																																																																																																																																																																																																																																																																																																																																																																																																																																														
SALEABLE	TBD	34822-0103	0	A	BLACK		63					58	57	56	55	54	53		51		49	66																																																																																																																																																																																																																																																																																																																																																																																																																																																																																																																																																																																																																																																																																																																																																																																																																																																																																																																																																																																																																																																																																																																																																																																																																																																																																																																																																																																																																				
							47						41	40		38	37		35		33												65										28	27	26	25			22					18	17					SALEABLE	TBD	34822-0113	9	A	BLACK				61	60	59	58		56	55				51		49	66														42																			65																										17	SALEABLE	NOT APPLICABLE	34822-0123	9	C	BLUE	64	63	62	61	60					55	54															48	47	46	45				42			39			36	35													65							31				27										19						SALEABLE	NOT APPLICABLE	34566-7613	9	H	ST GRAY	80	79	78			75				71	70			67												60	59		57			54			51	50	49	48	47		45	44			42	41						40	39		37	36		34	33	32		30	29	28	27		25	24	23	22	21								SALEABLE	NOT APPLICABLE	34566-7623	9	G	BLUE	80	79	78			75				71	70			67											60	59	58	57			54			51	50	49	48	47		45	44			42	41					40	39		37	36		34	33	32		30	29	28	27		25	24	23	22	21							SALEABLE	NOT APPLICABLE	34566-7623	9	G	BLUE	20	19	18						13	12	11		9	8			5				3	2	1																												65																										SALEABLE	TBD	34822-0133	0	C	BLUE	64	63	62	61	60					55	54														48	47	46	45				42			39			36	35												65							31				27										19					SALEABLE	NOT APPLICABLE	34566-7633	9	A	BLACK	72	71	70	69	68	67	66	65	64	63			60	59	58	57	56	55	54							52	51	50	49	48	47	46	45	44	43	42	41	40	39	38	37	36	35	34								73						32	31	30	29	28	27	26	25		23	22	21	20		18	17						SALEABLE	NOT APPLICABLE	34566-7643	9	B	ST GRAY							46	45					59	58																																				73						32		30	29	28	27				23	22								17		SALEABLE	TBD	34822-0143	0	A	BLACK				61	60	59	58		56	55				51		49	66													42																			65														10				6				4			1	SALEABLE	NOT APPLICABLE	34566-7653	0	B	ST GRAY	72		70								62	61									55				52				48	47	46			43			40														73								30									22	21	20	19	18					SALEABLE	NOT APPLICABLE	34566-7663	0	B	ST GRAY							46	45																																										73						32		30																		SALEABLE	NOT APPLICABLE	34566-7673	0	C	BLUE		71	70	69		67	66	65	64			61	60	59	58	57			54						52	51	50	49	48	47	46	45	44		41		39	38	37										34	33	73						32					28	27		25		23								18	17																																																																																																																																																																																																																																																																																																																																																					
						65										28	27	26	25			22					18	17																																																																																																																																																																																																																																																																																																																																																																																																																																																																																																																																																																																																																																																																																																																																																																																																																																																																																																																																																																																																																																																																																																																																																																																																																																																																																																																																																																																																														
SALEABLE	TBD	34822-0113	9	A	BLACK				61	60	59	58		56	55				51		49	66																																																																																																																																																																																																																																																																																																																																																																																																																																																																																																																																																																																																																																																																																																																																																																																																																																																																																																																																																																																																																																																																																																																																																																																																																																																																																																																																																																																																																				
														42																			65																										17	SALEABLE	NOT APPLICABLE	34822-0123	9	C	BLUE	64	63	62	61	60					55	54															48	47	46	45				42			39			36	35													65							31				27										19						SALEABLE	NOT APPLICABLE	34566-7613	9	H	ST GRAY	80	79	78			75				71	70			67												60	59		57			54			51	50	49	48	47		45	44			42	41						40	39		37	36		34	33	32		30	29	28	27		25	24	23	22	21								SALEABLE	NOT APPLICABLE	34566-7623	9	G	BLUE	80	79	78			75				71	70			67											60	59	58	57			54			51	50	49	48	47		45	44			42	41					40	39		37	36		34	33	32		30	29	28	27		25	24	23	22	21							SALEABLE	NOT APPLICABLE	34566-7623	9	G	BLUE	20	19	18						13	12	11		9	8			5				3	2	1																												65																										SALEABLE	TBD	34822-0133	0	C	BLUE	64	63	62	61	60					55	54														48	47	46	45				42			39			36	35												65							31				27										19					SALEABLE	NOT APPLICABLE	34566-7633	9	A	BLACK	72	71	70	69	68	67	66	65	64	63			60	59	58	57	56	55	54							52	51	50	49	48	47	46	45	44	43	42	41	40	39	38	37	36	35	34								73						32	31	30	29	28	27	26	25		23	22	21	20		18	17						SALEABLE	NOT APPLICABLE	34566-7643	9	B	ST GRAY							46	45					59	58																																				73						32		30	29	28	27				23	22								17		SALEABLE	TBD	34822-0143	0	A	BLACK				61	60	59	58		56	55				51		49	66													42																			65														10				6				4			1	SALEABLE	NOT APPLICABLE	34566-7653	0	B	ST GRAY	72		70								62	61									55				52				48	47	46			43			40														73								30									22	21	20	19	18					SALEABLE	NOT APPLICABLE	34566-7663	0	B	ST GRAY							46	45																																										73						32		30																		SALEABLE	NOT APPLICABLE	34566-7673	0	C	BLUE		71	70	69		67	66	65	64			61	60	59	58	57			54						52	51	50	49	48	47	46	45	44		41		39	38	37										34	33	73						32					28	27		25		23								18	17																																																																																																																																																																																																																																																																																																																																																																																																																																							
						65																										17																																																																																																																																																																																																																																																																																																																																																																																																																																																																																																																																																																																																																																																																																																																																																																																																																																																																																																																																																																																																																																																																																																																																																																																																																																																																																																																																																																																																										
SALEABLE	NOT APPLICABLE	34822-0123	9	C	BLUE	64	63	62	61	60					55	54															48	47	46	45				42			39			36	35													65									31				27										19						SALEABLE	NOT APPLICABLE	34566-7613	9	H	ST GRAY	80	79	78			75				71	70			67												60	59		57			54			51	50	49	48	47		45	44			42	41						40							39		37	36		34	33	32		30	29	28	27		25	24	23	22	21								SALEABLE	NOT APPLICABLE	34566-7623	9	G	BLUE	80	79	78			75				71	70			67											60	59	58	57			54			51	50	49	48	47		45	44			42	41											40	39		37	36		34	33	32		30	29	28	27		25	24	23	22	21							SALEABLE	NOT APPLICABLE	34566-7623	9	G	BLUE	20	19	18						13	12	11		9	8			5				3	2	1																																		65																										SALEABLE	TBD	34822-0133	0	C	BLUE	64	63	62	61	60					55	54														48	47	46	45				42									39			36	35												65							31				27										19					SALEABLE	NOT APPLICABLE	34566-7633	9	A	BLACK	72	71	70	69	68	67	66	65	64	63			60	59	58	57	56	55	54							52	51	50							49	48	47	46	45	44	43	42	41	40	39	38	37	36	35	34								73						32	31	30	29	28	27	26	25		23	22	21	20		18	17						SALEABLE	NOT APPLICABLE	34566-7643	9	B	ST GRAY							46	45					59	58																																										73						32		30	29	28	27				23	22								17		SALEABLE	TBD	34822-0143	0	A	BLACK				61	60	59	58		56	55				51		49							66													42																			65														10				6				4			1	SALEABLE	NOT APPLICABLE	34566-7653	0	B	ST GRAY	72		70														62	61									55				52				48	47	46			43			40														73								30									22	21	20	19	18					SALEABLE	NOT APPLICABLE	34566-7663	0	B	ST GRAY													46	45																																										73						32		30																		SALEABLE	NOT APPLICABLE	34566-7673	0							C	BLUE		71	70	69		67	66	65	64			61	60	59	58	57			54						52	51	50	49	48	47	46	45	44		41		39	38	37										34	33	73						32					28	27		25		23								18	17																																																																																																																																																																																																																																																																																																																																																																																																																																					
						48	47	46	45				42			39			36	35													65							31				27										19						SALEABLE	NOT APPLICABLE	34566-7613	9	H	ST GRAY	80	79	78			75				71	70			67																		60	59		57			54			51	50	49	48	47		45	44			42	41						40	39		37	36		34	33	32		30	29	28	27		25	24	23	22	21								SALEABLE	NOT APPLICABLE	34566-7623	9	G	BLUE	80	79	78			75				71	70			67																	60	59	58	57			54			51	50	49	48	47		45	44			42	41					40	39		37	36		34	33	32		30	29	28	27		25	24	23	22	21							SALEABLE	NOT APPLICABLE	34566-7623	9	G	BLUE	20	19	18						13	12	11		9	8			5				3							2	1																												65																										SALEABLE	TBD	34822-0133	0	C	BLUE	64	63	62	61	60					55	54																				48	47	46	45				42			39			36	35												65							31				27										19					SALEABLE	NOT APPLICABLE	34566-7633	9	A	BLACK	72	71	70	69	68	67	66	65	64	63			60	59	58	57	56	55	54													52	51	50	49	48	47	46	45	44	43	42	41	40	39	38	37	36	35	34								73						32	31	30	29	28	27	26	25		23	22	21	20		18	17						SALEABLE	NOT APPLICABLE	34566-7643	9	B	ST GRAY							46	45					59	58																																										73						32		30	29	28	27				23	22								17		SALEABLE	TBD	34822-0143	0	A	BLACK				61	60	59	58		56	55				51		49	66																		42																			65														10				6				4			1	SALEABLE	NOT APPLICABLE	34566-7653	0	B	ST GRAY	72		70								62	61									55										52				48	47	46			43			40														73								30									22	21	20	19	18					SALEABLE	NOT APPLICABLE	34566-7663	0	B	ST GRAY							46	45																																																73						32		30																		SALEABLE	NOT APPLICABLE	34566-7673	0	C	BLUE		71	70	69		67	66	65	64			61	60	59	58	57			54										52	51	50	49			48	47	46	45	44		41		39	38	37										34	33	73						32					28	27		25		23								18	17																																																																																																																																																																																																																																																																																																																																																																																																																																																																	
						65							31				27										19																																																																																																																																																																																																																																																																																																																																																																																																																																																																																																																																																																																																																																																																																																																																																																																																																																																																																																																																																																																																																																																																																																																																																																																																																																																																																																																																																																																																															
SALEABLE	NOT APPLICABLE	34566-7613	9	H	ST GRAY	80	79	78			75				71	70			67												60	59		57			54			51	50	49	48	47		45	44			42	41						40	39								37	36		34	33	32		30	29	28	27		25	24	23	22	21								SALEABLE	NOT APPLICABLE	34566-7623	9	G	BLUE	80	79	78			75				71	70			67											60	59	58	57			54			51	50	49	48	47		45	44			42	41					40	39		37	36								34	33	32		30	29	28	27		25	24	23	22	21							SALEABLE	NOT APPLICABLE	34566-7623	9	G	BLUE	20	19	18						13	12	11		9	8			5				3	2	1																												65																														SALEABLE	TBD	34822-0133	0	C	BLUE	64	63	62	61	60					55	54														48	47	46	45				42			39			36	35												65													31				27										19					SALEABLE	NOT APPLICABLE	34566-7633	9	A	BLACK	72	71	70	69	68	67	66	65	64	63			60	59	58	57	56	55	54							52	51	50	49	48	47	46	45	44	43	42	41	40	39	38	37	36	35	34								73											32	31	30	29	28	27	26	25		23	22	21	20		18	17						SALEABLE	NOT APPLICABLE	34566-7643	9	B	ST GRAY							46	45					59	58																																				73						32								30	29	28	27				23	22								17		SALEABLE	TBD	34822-0143	0	A	BLACK				61	60	59	58		56	55				51		49	66													42																			65																				10				6				4			1	SALEABLE	NOT APPLICABLE	34566-7653	0	B	ST GRAY	72		70								62	61									55				52				48	47	46			43			40														73														30									22	21	20	19	18					SALEABLE	NOT APPLICABLE	34566-7663	0	B	ST GRAY							46	45																																										73						32								30																		SALEABLE	NOT APPLICABLE	34566-7673	0	C	BLUE		71	70	69		67	66	65	64			61	60	59	58	57			54						52	51	50	49	48	47	46	45	44		41		39	38	37										34	33	73												32					28	27		25		23								18	17																																																																																																																																																																																																																																																																																																																																																																																																																																																																																																																															
						60	59		57			54			51	50	49	48	47		45	44			42	41						40	39		37	36		34	33	32		30	29	28	27		25	24	23	22	21								SALEABLE	NOT APPLICABLE	34566-7623	9	G	BLUE	80	79	78			75				71	70			67											60							59	58	57			54			51	50	49	48	47		45	44			42	41					40	39		37	36		34	33	32		30	29	28	27		25	24	23	22	21							SALEABLE	NOT APPLICABLE	34566-7623	9	G	BLUE	20	19	18						13	12	11		9	8			5				3	2	1																																		65																										SALEABLE	TBD	34822-0133	0	C	BLUE	64	63	62	61	60					55	54																				48	47	46	45				42			39			36	35												65							31				27										19					SALEABLE	NOT APPLICABLE	34566-7633	9	A	BLACK	72	71	70	69	68	67	66	65	64	63			60	59	58	57	56	55	54													52	51	50	49	48	47	46	45	44	43	42	41	40	39	38	37	36	35	34								73						32	31	30	29	28	27	26	25		23	22	21	20		18	17						SALEABLE	NOT APPLICABLE	34566-7643	9	B	ST GRAY							46	45					59	58																																										73						32		30	29	28	27				23	22								17		SALEABLE	TBD	34822-0143	0	A	BLACK				61	60	59	58		56	55				51		49	66																			42																			65														10				6				4			1	SALEABLE	NOT APPLICABLE	34566-7653	0	B	ST GRAY	72		70								62	61									55										52				48	47	46			43			40														73								30									22	21	20	19	18					SALEABLE	NOT APPLICABLE	34566-7663	0	B	ST GRAY							46	45																																																73						32		30																		SALEABLE	NOT APPLICABLE	34566-7673	0	C	BLUE		71	70	69		67	66	65	64			61	60	59	58	57			54												52	51	50	49	48	47	46	45	44		41		39	38	37										34	33	73						32					28	27		25		23								18	17																																																																																																																																																																																																																																																																																																																																																																																																																																																																																																																																																											
						40	39		37	36		34	33	32		30	29	28	27		25	24	23	22	21																																																																																																																																																																																																																																																																																																																																																																																																																																																																																																																																																																																																																																																																																																																																																																																																																																																																																																																																																																																																																																																																																																																																																																																																																																																																																																																																																																																																																	
SALEABLE	NOT APPLICABLE	34566-7623	9	G	BLUE	80	79	78			75				71	70			67											60	59	58	57			54			51	50	49	48	47		45	44			42	41					40	39		37							36		34	33	32		30	29	28	27		25	24	23	22	21							SALEABLE	NOT APPLICABLE	34566-7623	9	G	BLUE	20	19	18						13	12	11		9	8			5				3	2	1																												65																													SALEABLE	TBD	34822-0133	0	C	BLUE	64	63	62	61	60					55	54														48	47	46	45				42			39			36	35												65													31				27										19					SALEABLE	NOT APPLICABLE	34566-7633	9	A	BLACK	72	71	70	69	68	67	66	65	64	63			60	59	58	57	56	55	54							52	51	50	49	48	47	46	45	44	43	42	41	40	39	38	37	36	35	34								73											32	31	30	29	28	27	26	25		23	22	21	20		18	17						SALEABLE	NOT APPLICABLE	34566-7643	9	B	ST GRAY							46	45					59	58																																				73						32								30	29	28	27				23	22								17		SALEABLE	TBD	34822-0143	0	A	BLACK				61	60	59	58		56	55				51		49	66													42																			65																				10				6				4			1	SALEABLE	NOT APPLICABLE	34566-7653	0	B	ST GRAY	72		70								62	61									55				52				48	47	46			43			40														73														30									22	21	20	19	18					SALEABLE	NOT APPLICABLE	34566-7663	0	B	ST GRAY							46	45																																										73						32								30																		SALEABLE	NOT APPLICABLE	34566-7673	0	C	BLUE		71	70	69		67	66	65	64			61	60	59	58	57			54						52	51	50	49	48	47	46	45	44		41		39	38	37										34	33	73						32											28	27		25		23								18	17																																																																																																																																																																																																																																																																																																																																																																																																																																																																																																																																																																																																																										
						60	59	58	57			54			51	50	49	48	47		45	44			42	41					40	39		37	36		34	33	32		30	29	28	27		25	24	23	22	21							SALEABLE	NOT APPLICABLE	34566-7623	9	G	BLUE	20	19	18						13	12	11		9	8			5				3	2	1																																		65																										SALEABLE	TBD	34822-0133	0	C	BLUE	64	63	62	61	60					55	54																				48	47	46	45				42			39			36	35												65							31				27										19					SALEABLE	NOT APPLICABLE	34566-7633	9	A	BLACK	72	71	70	69	68	67	66	65	64	63			60	59	58	57	56	55	54													52	51	50	49	48	47	46	45	44	43	42	41	40	39	38	37	36	35	34								73						32	31	30	29	28	27	26	25		23	22	21	20		18	17						SALEABLE	NOT APPLICABLE	34566-7643	9	B	ST GRAY							46	45					59	58																																										73						32		30	29	28	27				23	22								17		SALEABLE	TBD	34822-0143	0	A	BLACK				61	60	59	58		56	55				51		49	66																	42																			65														10				6				4			1	SALEABLE	NOT APPLICABLE	34566-7653	0	B	ST GRAY	72		70								62	61									55										52				48	47	46			43			40														73								30									22	21	20	19	18					SALEABLE	NOT APPLICABLE	34566-7663	0	B	ST GRAY							46	45																																																73						32		30																		SALEABLE	NOT APPLICABLE	34566-7673	0	C	BLUE		71	70	69		67	66	65	64			61	60	59	58	57			54												52	51	50	49	48	47	46	45	44		41		39	38	37										34	33	73						32					28	27		25		23								18	17																																																																																																																																																																																																																																																																																																																																																																																																																																																																																																																																																																																																																																																						
						40	39		37	36		34	33	32		30	29	28	27		25	24	23	22	21																																																																																																																																																																																																																																																																																																																																																																																																																																																																																																																																																																																																																																																																																																																																																																																																																																																																																																																																																																																																																																																																																																																																																																																																																																																																																																																																																																																																																	
SALEABLE	NOT APPLICABLE	34566-7623	9	G	BLUE	20	19	18						13	12	11		9	8			5				3	2	1																												65																											SALEABLE	TBD	34822-0133	0	C	BLUE	64	63	62	61	60					55	54														48	47	46	45				42			39			36	35												65													31				27										19					SALEABLE	NOT APPLICABLE	34566-7633	9	A	BLACK	72	71	70	69	68	67	66	65	64	63			60	59	58	57	56	55	54							52	51	50	49	48	47	46	45	44	43	42	41	40	39	38	37	36	35	34								73											32	31	30	29	28	27	26	25		23	22	21	20		18	17						SALEABLE	NOT APPLICABLE	34566-7643	9	B	ST GRAY							46	45					59	58																																				73						32								30	29	28	27				23	22								17		SALEABLE	TBD	34822-0143	0	A	BLACK				61	60	59	58		56	55				51		49	66													42																			65																				10				6				4			1	SALEABLE	NOT APPLICABLE	34566-7653	0	B	ST GRAY	72		70								62	61									55				52				48	47	46			43			40														73													30									22	21	20	19	18					SALEABLE	NOT APPLICABLE	34566-7663	0	B	ST GRAY							46	45																																										73						32								30																		SALEABLE	NOT APPLICABLE	34566-7673	0	C	BLUE		71	70	69		67	66	65	64			61	60	59	58	57			54						52	51	50	49	48	47	46	45	44		41		39	38	37										34	33	73												32					28	27		25		23								18	17																																																																																																																																																																																																																																																																																																																																																																																																																																																																																																																																																																																																																																																																																																																				
																																65																										SALEABLE	TBD	34822-0133	0	C	BLUE	64	63	62	61	60					55	54																				48	47	46	45				42			39			36	35												65							31				27										19					SALEABLE	NOT APPLICABLE	34566-7633	9	A	BLACK	72	71	70	69	68	67	66	65	64	63			60	59	58	57	56	55	54													52	51	50	49	48	47	46	45	44	43	42	41	40	39	38	37	36	35	34								73						32	31	30	29	28	27	26	25		23	22	21	20		18	17						SALEABLE	NOT APPLICABLE	34566-7643	9	B	ST GRAY							46	45					59	58																																										73						32		30	29	28	27				23	22								17		SALEABLE	TBD	34822-0143	0	A	BLACK				61	60	59	58		56	55				51		49	66															42																			65														10				6				4			1	SALEABLE	NOT APPLICABLE	34566-7653	0	B	ST GRAY	72		70								62	61									55										52				48	47	46			43			40														73								30									22	21	20	19	18					SALEABLE	NOT APPLICABLE	34566-7663	0	B	ST GRAY							46	45																																																73						32		30																		SALEABLE	NOT APPLICABLE	34566-7673	0	C	BLUE		71	70	69		67	66	65	64			61	60	59	58	57			54												52	51	50	49	48	47	46	45	44		41		39	38	37										34	33	73						32					28	27		25		23								18	17																																																																																																																																																																																																																																																																																																																																																																																																																																																																																																																																																																																																																																																																																																																																															
						65																																																																																																																																																																																																																																																																																																																																																																																																																																																																																																																																																																																																																																																																																																																																																																																																																																																																																																																																																																																																																																																																																																																																																																																																																																																																																																																																																																																																																																				
SALEABLE	TBD	34822-0133	0	C	BLUE	64	63	62	61	60					55	54														48	47	46	45				42			39			36	35												65									31				27										19					SALEABLE	NOT APPLICABLE	34566-7633	9	A	BLACK	72	71	70	69	68	67	66	65	64	63			60	59	58	57	56	55	54							52	51	50	49	48	47	46	45	44	43	42	41	40	39	38	37	36	35	34								73											32	31	30	29	28	27	26	25		23	22	21	20		18	17						SALEABLE	NOT APPLICABLE	34566-7643	9	B	ST GRAY							46	45					59	58																																				73						32								30	29	28	27				23	22								17		SALEABLE	TBD	34822-0143	0	A	BLACK				61	60	59	58		56	55				51		49	66													42																			65																				10				6				4			1	SALEABLE	NOT APPLICABLE	34566-7653	0	B	ST GRAY	72		70								62	61									55				52				48	47	46			43			40														73											30									22	21	20	19	18					SALEABLE	NOT APPLICABLE	34566-7663	0	B	ST GRAY							46	45																																										73						32								30																		SALEABLE	NOT APPLICABLE	34566-7673	0	C	BLUE		71	70	69		67	66	65	64			61	60	59	58	57			54						52	51	50	49	48	47	46	45	44		41		39	38	37										34	33	73												32					28	27		25		23								18	17																																																																																																																																																																																																																																																																																																																																																																																																																																																																																																																																																																																																																																																																																																																																																																																																													
						48	47	46	45				42			39			36	35												65							31				27										19					SALEABLE	NOT APPLICABLE	34566-7633	9	A	BLACK	72	71	70	69	68	67	66	65	64	63			60	59	58	57	56	55	54													52	51	50	49	48	47	46	45	44	43	42	41	40	39	38	37	36	35	34								73						32	31	30	29	28	27	26	25		23	22	21	20		18	17						SALEABLE	NOT APPLICABLE	34566-7643	9	B	ST GRAY							46	45					59	58																																										73						32		30	29	28	27				23	22								17		SALEABLE	TBD	34822-0143	0	A	BLACK				61	60	59	58		56	55				51		49	66																42																			65														10				6				4			1	SALEABLE	NOT APPLICABLE	34566-7653	0	B	ST GRAY	72		70								62	61									55										52				48	47	46			43			40														73								30									22	21	20	19	18					SALEABLE	NOT APPLICABLE	34566-7663	0	B	ST GRAY							46	45																																																73						32		30																		SALEABLE	NOT APPLICABLE	34566-7673	0	C	BLUE		71	70	69		67	66	65	64			61	60	59	58	57			54												52	51	50	49	48	47	46	45	44		41		39	38	37										34	33	73						32					28	27		25		23								18	17																																																																																																																																																																																																																																																																																																																																																																																																																																																																																																																																																																																																																																																																																																																																																																																																																																						
						65							31				27										19																																																																																																																																																																																																																																																																																																																																																																																																																																																																																																																																																																																																																																																																																																																																																																																																																																																																																																																																																																																																																																																																																																																																																																																																																																																																																																																																																																																																															
SALEABLE	NOT APPLICABLE	34566-7633	9	A	BLACK	72	71	70	69	68	67	66	65	64	63			60	59	58	57	56	55	54							52	51	50	49	48	47	46	45	44	43	42	41	40	39	38	37	36	35	34								73							32	31	30	29	28	27	26	25		23	22	21	20		18	17						SALEABLE	NOT APPLICABLE	34566-7643	9	B	ST GRAY							46	45					59	58																																				73						32								30	29	28	27				23	22								17		SALEABLE	TBD	34822-0143	0	A	BLACK				61	60	59	58		56	55				51		49	66													42																			65																				10				6				4			1	SALEABLE	NOT APPLICABLE	34566-7653	0	B	ST GRAY	72		70								62	61									55				52				48	47	46			43			40														73												30									22	21	20	19	18					SALEABLE	NOT APPLICABLE	34566-7663	0	B	ST GRAY							46	45																																										73						32								30																		SALEABLE	NOT APPLICABLE	34566-7673	0	C	BLUE		71	70	69		67	66	65	64			61	60	59	58	57			54						52	51	50	49	48	47	46	45	44		41		39	38	37										34	33	73												32					28	27		25		23								18	17																																																																																																																																																																																																																																																																																																																																																																																																																																																																																																																																																																																																																																																																																																																																																																																																																																																																																																				
						52	51	50	49	48	47	46	45	44	43	42	41	40	39	38	37	36	35	34								73						32	31	30	29	28	27	26	25		23	22	21	20		18	17						SALEABLE	NOT APPLICABLE	34566-7643	9	B	ST GRAY							46	45					59	58																																										73						32		30	29	28	27				23	22								17		SALEABLE	TBD	34822-0143	0	A	BLACK				61	60	59	58		56	55				51		49	66																	42																			65														10				6				4			1	SALEABLE	NOT APPLICABLE	34566-7653	0	B	ST GRAY	72		70								62	61									55										52				48	47	46			43			40														73								30									22	21	20	19	18					SALEABLE	NOT APPLICABLE	34566-7663	0	B	ST GRAY							46	45																																																73						32		30																		SALEABLE	NOT APPLICABLE	34566-7673	0	C	BLUE		71	70	69		67	66	65	64			61	60	59	58	57			54												52	51	50	49	48	47	46	45	44		41		39	38	37										34	33	73						32					28	27		25		23								18	17																																																																																																																																																																																																																																																																																																																																																																																																																																																																																																																																																																																																																																																																																																																																																																																																																																																																																																																														
						73						32	31	30	29	28	27	26	25		23	22	21	20		18	17																																																																																																																																																																																																																																																																																																																																																																																																																																																																																																																																																																																																																																																																																																																																																																																																																																																																																																																																																																																																																																																																																																																																																																																																																																																																																																																																																																																																															
SALEABLE	NOT APPLICABLE	34566-7643	9	B	ST GRAY							46	45					59	58																																				73										32		30	29	28	27				23	22								17		SALEABLE	TBD	34822-0143	0	A	BLACK				61	60	59	58		56	55				51		49	66													42																			65																				10				6				4			1	SALEABLE	NOT APPLICABLE	34566-7653	0	B	ST GRAY	72		70								62	61									55				52				48	47	46			43			40														73											30									22	21	20	19	18					SALEABLE	NOT APPLICABLE	34566-7663	0	B	ST GRAY							46	45																																										73						32								30																		SALEABLE	NOT APPLICABLE	34566-7673	0	C	BLUE		71	70	69		67	66	65	64			61	60	59	58	57			54						52	51	50	49	48	47	46	45	44		41		39	38	37										34	33	73												32					28	27		25		23								18	17																																																																																																																																																																																																																																																																																																																																																																																																																																																																																																																																																																																																																																																																																																																																																																																																																																																																																																																																																																																												
																																73						32		30	29	28	27				23	22								17		SALEABLE	TBD	34822-0143	0	A	BLACK				61	60	59	58		56	55				51		49	66																		42																			65														10				6				4			1	SALEABLE	NOT APPLICABLE	34566-7653	0	B	ST GRAY	72		70								62	61									55										52				48	47	46			43			40														73								30									22	21	20	19	18					SALEABLE	NOT APPLICABLE	34566-7663	0	B	ST GRAY							46	45																																																73						32		30																		SALEABLE	NOT APPLICABLE	34566-7673	0	C	BLUE		71	70	69		67	66	65	64			61	60	59	58	57			54												52	51	50	49	48	47	46	45	44		41		39	38	37										34	33	73						32					28	27		25		23								18	17																																																																																																																																																																																																																																																																																																																																																																																																																																																																																																																																																																																																																																																																																																																																																																																																																																																																																																																																																																																																																					
						73						32		30	29	28	27				23	22								17																																																																																																																																																																																																																																																																																																																																																																																																																																																																																																																																																																																																																																																																																																																																																																																																																																																																																																																																																																																																																																																																																																																																																																																																																																																																																																																																																																																																												
SALEABLE	TBD	34822-0143	0	A	BLACK				61	60	59	58		56	55				51		49	66																																																																																																																																																																																																																																																																																																																																																																																																																																																																																																																																																																																																																																																																																																																																																																																																																																																																																																																																																																																																																																																																																																																																																																																																																																																																																																																																																																																																																				
													42																			65														10				6				4			1	SALEABLE	NOT APPLICABLE	34566-7653	0	B	ST GRAY	72		70								62	61									55				52				48	47	46			43			40														73								30									22	21	20	19	18					SALEABLE	NOT APPLICABLE	34566-7663	0	B	ST GRAY							46	45																																										73						32		30																		SALEABLE	NOT APPLICABLE	34566-7673	0	C	BLUE		71	70	69		67	66	65	64			61	60	59	58	57			54						52	51	50	49	48	47	46	45	44		41		39	38	37										34	33	73						32					28	27		25		23								18	17																																																																																																																																																																																																																																																																																																																																																																																																																																																																																																																																																																																																																																																																																																																																																																																																																																																																																																																																																																																																																																																																																																																												
						65														10				6				4			1																																																																																																																																																																																																																																																																																																																																																																																																																																																																																																																																																																																																																																																																																																																																																																																																																																																																																																																																																																																																																																																																																																																																																																																																																																																																																																																																																																																																											
SALEABLE	NOT APPLICABLE	34566-7653	0	B	ST GRAY	72		70								62	61									55				52				48	47	46			43			40														73										30									22	21	20	19	18					SALEABLE	NOT APPLICABLE	34566-7663	0	B	ST GRAY							46	45																																										73							32		30																		SALEABLE	NOT APPLICABLE	34566-7673	0	C	BLUE		71	70	69		67	66	65	64			61	60	59	58	57			54						52	51	50	49	48	47	46	45	44		41		39	38	37										34							33	73						32					28	27		25		23								18	17																																																																																																																																																																																																																																																																																																																																																																																																																																																																																																																																																																																																																																																																																																																																																																																																																																																																																																																																																																																																																																																																																																																																																																													
						52				48	47	46			43			40														73								30									22	21	20	19	18					SALEABLE	NOT APPLICABLE	34566-7663	0	B	ST GRAY							46	45																																																73						32		30																		SALEABLE	NOT APPLICABLE	34566-7673	0	C	BLUE		71	70	69		67	66	65	64			61	60	59	58							57			54						52	51	50	49	48	47	46	45	44		41		39	38	37										34	33	73						32					28	27		25		23								18	17																																																																																																																																																																																																																																																																																																																																																																																																																																																																																																																																																																																																																																																																																																																																																																																																																																																																																																																																																																																																																																																																																																																																																																																																		
						73								30									22	21	20	19	18																																																																																																																																																																																																																																																																																																																																																																																																																																																																																																																																																																																																																																																																																																																																																																																																																																																																																																																																																																																																																																																																																																																																																																																																																																																																																																																																																																																																															
SALEABLE	NOT APPLICABLE	34566-7663	0	B	ST GRAY							46	45																																										73									32		30																		SALEABLE	NOT APPLICABLE	34566-7673	0	C	BLUE		71	70	69		67	66	65	64			61	60	59	58	57			54						52	51	50	49	48	47	46	45	44		41		39	38	37										34	33	73											32					28	27		25		23								18	17																																																																																																																																																																																																																																																																																																																																																																																																																																																																																																																																																																																																																																																																																																																																																																																																																																																																																																																																																																																																																																																																																																																																																																																																																																																																
																																73						32		30																		SALEABLE	NOT APPLICABLE	34566-7673	0	C	BLUE		71	70	69		67	66	65	64			61	60	59	58	57			54												52	51	50	49	48	47	46	45	44		41		39	38	37										34	33	73						32					28	27		25		23								18	17																																																																																																																																																																																																																																																																																																																																																																																																																																																																																																																																																																																																																																																																																																																																																																																																																																																																																																																																																																																																																																																																																																																																																																																																																																																																																									
						73						32		30																																																																																																																																																																																																																																																																																																																																																																																																																																																																																																																																																																																																																																																																																																																																																																																																																																																																																																																																																																																																																																																																																																																																																																																																																																																																																																																																																																																																																												
SALEABLE	NOT APPLICABLE	34566-7673	0	C	BLUE		71	70	69		67	66	65	64			61	60	59	58	57			54						52	51	50	49	48	47	46	45	44		41		39	38	37										34	33	73								32					28	27		25		23								18	17																																																																																																																																																																																																																																																																																																																																																																																																																																																																																																																																																																																																																																																																																																																																																																																																																																																																																																																																																																																																																																																																																																																																																																																																																																																																																																																																																							
						52	51	50	49	48	47	46	45	44		41		39	38	37										34	33	73						32					28	27		25		23								18	17																																																																																																																																																																																																																																																																																																																																																																																																																																																																																																																																																																																																																																																																																																																																																																																																																																																																																																																																																																																																																																																																																																																																																																																																																																																																																																																																																																																	
						73						32					28	27		25		23								18	17																																																																																																																																																																																																																																																																																																																																																																																																																																																																																																																																																																																																																																																																																																																																																																																																																																																																																																																																																																																																																																																																																																																																																																																																																																																																																																																																																																																																											

MX123 52/66/73/80-WAY RECEPTACLE ASSY SEALED PIN OUT SHEET

STATUS	GM PART #	HRNS CONN ASSY			TPA	GROMMET CAP																					
		MATERIAL/PART	WIRE DRESS OPTION	KEY OPTION Fp	COLOR OPTION Fp	NUMBERS INDICATE CAVITIES OPEN FOR CIRCUITS																					
		NUMBER				Fp																					
SALEABLE	NOT APPLICABLE	34566-7683	9	B	ST GRY	72	71	70	69	68	67	66	65	64	63	62	61	60	59		57	56	55				
						52	51	50	49	48	47	46	45	44	43		26	25	24	23	22	21	20	19	18	17	
						73				32	31	30	29	28		11		9	8	7	6	5	4	3	2	1	
SALEABLE	NOT APPLICABLE	34566-7693	9	A	BLACK	72							64		62	61			57	56	55	54					
						52	51					46	45		43		40			37		35	34				
						73				32	31	30	29		27		25				20						
SALEABLE	NOT APPLICABLE	34566-7713	9	A	BLACK	72							64		62	61			58	57	56	55	54				
						52	51			48		46	45		43		41	40		37		35	34				
						73				32		30	29		27		25			20							
SALEABLE	NOT APPLICABLE	34566-7723	9	A	BLACK	72							64		62	61			57	56	55	54	53				
						52	51			48		46	45		43		41	40		37		35	34				
						73				32		30	29		27		25			20							
SALEABLE	NOT APPLICABLE	34566-7733	9	A	BLACK	72							64		62	61			57	56	55	54	53				
						52	51			48		46	45		43		41	40		37		35	34				
						73				32		30	29		27		25			20							
SALEABLE	NOT APPLICABLE	34566-7743	0	C	BLUE	72		70		68	67	66		64	63	62	61	60	59	57							
						52	51		49	48	47	46		44		41	40	39		37	36	35	34	33			
						73				32		30			27	26	25	24		22	21	20					
SALEABLE	NOT APPLICABLE	34566-7753	0	A	BLACK		71	70	69	68	67			64	63	62	61	60	59	58	57	56	55	54	53		
						52	51	50	49			45	44	43	42	41		39	38	37	36		34				
						73				32	31		29	28	27	26	25				19	18					
SALEABLE	NOT APPLICABLE	34566-7763	0	F	NATURAL																						
						73																					
SALEABLE	NOT APPLICABLE	34566-7773	0	B	ST GRY	72		70							63	62	61	60	59								
						52						46			43		41	40									
						73				16		14			11				6	5	4						
SALEABLE	TBD	34822-0153	9	A	BLACK		63	62	61	60	59					54	53		51		49	66					
							47								38	37		35		33							
						65						15	14	13			25		8	7		22	21	20	19	18	17
SALEABLE	NOT APPLICABLE	34566-7783	0	A	BLACK	72	71	70	69	68		66	65	64	63			60		57	56		54				
						52	51	50	49	48		46	45	44	43	42	41	40	39	38	37	36		34			
						73				32	31	30	29	28		26	25		23	22	21					2	1
SALEABLE	NOT APPLICABLE	34566-7793	0	A	BLACK	72		70			67	66	65		63			60	59	58	57	56	55				
						52	51		49	48	47	46	45		43	42		40	39	38	37	36	35				
						73								28	27			23	22	21					18	17	
SALEABLE	NOT APPLICABLE	34566-7813	0	A	BLACK			70	69	68	67				63	62	61	60	59	58	57	56	55	54	53		
						52	51	50	49					44	43	42	41	40	39	38	37	36		34			
						73				32			29	28	27	26	25			21		19	18				
SALEABLE	NOT APPLICABLE	34566-7823	0	B	ST GRY					68	67				63	62	61	60	59								
						52				48	47	46		44	43		41	40		38	37	36	35				
						73				16		14			11			8			4						1
SALEABLE	NOT APPLICABLE	34566-7833	0	B	ST GRY	72	71	70	69	68	67	66	65	64	63		61	60	59		57	56	55				
						52	51	50	49	48	47	46	45	44	43		41	40	39	38	37	36	35	34	33		
						73				32	31	30	29	28		26	25	24	23	22	21	20	19	18	17		

MX123 52/66/73/80-WAY RECEPTACLE ASSY SEALED PIN OUT SHEET

STATUS	GM PART #	HRNS CONN ASSY			TPA	GROMMET CAP																				
		MATERIAL/PART	WIRE DRESS OPTION	KEY OPTION Fp	COLOR OPTION Fp	NUMBERS INDICATE CAVITIES OPEN FOR CIRCUITS																				
		NUMBER				Fp																				
SALEABLE	NOT APPLICABLE	34566-7843	9	C	BLUE	52	71	50	49	48	67	47	65	64	45	44	62	61	60	58	57	54	33			
						73				16	15	14	13	12	11	10	9	38	37	34	33					
						72	71	70	69	68	67	66	64	63	62	61	60	59	57	54	53					
SALEABLE	NOT APPLICABLE	34566-7853	9	C	BLUE	52	51	50	49	48	47	46	44	39	38	37	36	35	34	33						
						73				16	15	14	13	12	11	10	9	8	7	6	5	17				
						72	71	70	69	68	67	66	64	63	62	61	60	59	57	54	53					
SALEABLE	NOT APPLICABLE	34566-7863	9	C	BLUE	52	51	50	49	48	47	46	44	40	39	37	36	35	34	33						
						73				32	31	30	29	28	27	26	25	24	22	21	20	19	18	17		
						72	71	70	69	68	67	66	64	63	62	61	60	59	57	54	53					
SALEABLE	NOT APPLICABLE	34566-7873	9	A	BLACK	71	70	69	68	67	66	65	64	63	62	61	60	58	57	56	55	54				
						73				31	30	29	28	27	26	25	24	23	22	21	20	19	18	17		
						52	51	50	49	48	47	46	44	40	39	37	36	35	34	33						
SALEABLE	NOT APPLICABLE	34566-7883	9	A	BLACK	72	71	70	69	68	67	66	65	64	63	62	61	60	58	57	56	55	54			
						73				31	30	29	28	27	26	25	24	23	22	21	20	19	18	17		
						52	51	50	49	48	47	46	44	40	39	37	36	35	34	33						
SALEABLE	NOT APPLICABLE	34566-7893	9	A	BLACK	72	71	70	69	68	67	66	65	64	63	62	61	60	58	57	56	55	54			
						73				32	31	30	29	28	27	26	25	24	23	22	21	20	19	18	17	
						52	51	50	49	48	47	46	44	40	39	37	36	35	34	33						
SALEABLE	TBD	34822-0163	0	A	BLACK	64	63	62	61	60	59	58	57	56	55	54	53	52	51	50	49	48	47			
						65				15	14	13	12	11	10	9	8	7	6	5	4	3	2	1		
						80	79	78	77	76	75	74	73	72	71	70	69	68	67	66	65	64	63	62	61	60
SALEABLE	NOT APPLICABLE	34566-7913	9	G	BLUE	60	59	58	57	56	55	54	53	52	51	50	49	48	47	46	45	44	43	42		
						73				36	35	34	33	32	31	30	29	28	27	26	25	24	23	22	21	20
						40	39	38	37	36	35	34	33	32	31	30	29	28	27	26	25	24	23	22	21	20
SALEABLE	NOT APPLICABLE	34566-7923	0	C	BLUE	52	51	50	49	48	47	46	44	40	39	37	36	35	34	33						
						73				32	31	30	29	28	27	26	25	24	23	22	21	20	19	18	17	
						72	71	70	69	68	67	66	64	63	62	61	60	59	57	54	53					
SALEABLE	NOT APPLICABLE	34566-7933	0	A	BLACK	52	51	50	49	48	47	46	44	40	39	37	36	35	34	33						
						73				32	31	30	29	28	27	26	25	24	23	22	21	20	19	18	17	
						72	71	70	69	68	67	66	64	63	62	61	60	59	57	54	53					
SALEABLE	NOT APPLICABLE	34566-7943	0	B	ST GRAY	52	51	50	49	48	47	46	44	40	39	37	36	35	34	33						
						73				31	30	29	28	27	26	25	24	23	22	21	20	19	18	17		
						72	71	70	69	68	67	66	64	63	62	61	60	59	57	54	53					
SALEABLE	NOT APPLICABLE	34566-7953	0	B	ST GRAY	52	51	50	49	48	47	46	44	40	39	37	36	35	34	33						
						73				31	30	29	28	27	26	25	24	23	22	21	20	19	18	17		
						72	71	70	69	68	67	66	64	63	62	61	60	59	57	54	53					
SALEABLE	NOT APPLICABLE	34566-7963	9	A	BLACK	52	51	50	49	48	47	46	44	40	39	37	36	35	34	33						
						73				32	31	30	29	28	27	26	25	24	23	22	21	20	19	18	17	
						72	71	70	69	68	67	66	64	63	62	61	60	59	57	54	53					
SALEABLE	NOT APPLICABLE	34566-7973	9	B	ST GRAY	52	51	50	49	48	47	46	44	40	39	37	36	35	34	33						
						73				30	29	28	27	26	25	24	23	22	21	20	19	18	17			
						72	71	70	69	68	67	66	64	63	62	61	60	59	57	54	53					
SALEABLE	NOT APPLICABLE	34566-7983	9	B	ST GRAY	52	51	50	49	48	47	46	44	40	39	37	36	35	34	33						
						73				30	29	28	27	26	25	24	23	22	21	20	19	18	17			
						72	71	70	69	68	67	66	64	63	62	61	60	59	57	54	53					

MX123 52/66/73/80-WAY RECEPTACLE ASSY SEALED PIN OUT SHEET

STATUS	GM PART #	HRNS CONN ASSY			TPA	GROMMET CAP																										
		MATERIAL/PART	WIRE DRESS OPTION	KEY OPTION Fp	COLOR OPTION Fp	NUMBERS INDICATE CAVITIES OPEN FOR CIRCUITS																										
		NUMBER				Fp																										
SALEABLE	NOT APPLICABLE	34566-7993	9	C	BLUE	70	69	67	66	64	61	60	57	54	52	51	50	49	48	47	46	45	44	41	40	37	34	33				
						73			32	28	27	25	18	17																		
						16	15	14	13	12	11	10	9	8	7																	
SALEABLE	NOT APPLICABLE	34566-8013	9	C	BLUE	71	70	67	65	64	61	60	59	57	54	52	51	50	48	47	45	44	41	40	39	37	34	33				
						73			32	28	27	25	23	18	17																	
						16	15	14	13	12	11	10	9	8	7																	
SALEABLE	TBD	34822-0173	9	A	BLACK	64	63	58	57	56	55	54	52	50	66	48	46	45	44	43	42	41	40	36	34							
						65			32	31	30	29	27	26	24	23																
						16				12	11	10	9	6	5	4																
SALEABLE	NOT APPLICABLE	34566-8023	9	C	BLUE	72	69	68	46	43	42	40	39	36	35	53	71	70	67	66	65	64	63	62	59	58	57	56	55	54		
						73			31	30	29	26	24	23	22	21	20	19														
														8	7	6	5	4	3	2	1											
SALEABLE	NOT APPLICABLE	34566-8033	9	B	ST GRAY	71	70	67	66	65	64	63	58	57	56	54	52	51	50	49	47	45	44	42	40	39	34	33				
						73			32	31	29	28	27	26	25	24	23															
										13	12	11	10	9	7	5	3	2														
SALEABLE	NOT APPLICABLE	34566-8043	9	A	BLACK	67	66	65	64	63	62	61	59	58	55	53	71	70	67	66	65	64	63	62	59	58	57	56	55	54		
						73			27	26	25	24	20	19	18	17																
						16				11	10	9	8	4	3	1																
SALEABLE	NOT APPLICABLE	34566-8053	9	A	BLACK	72	68	67	66	65	64	63	59	58	55	53	71	70	67	66	65	64	63	62	59	58	57	56	55	54		
						73			31	25	23	22	21	20	19	17																
														9	8	7	6	5	4	2	1											
SALEABLE	NOT APPLICABLE	34566-8063	9	C	BLUE	71	70	69	65	64	61	60	58	57	56	54	52	51	50	49	47	45	44	42	40	39	34	33				
						73			31	29	28	23	19	18	17																	
						16				12	11		7		3	1																
SALEABLE	NOT APPLICABLE	34566-8073	9	B	ST GRAY	69	65	64	63	62	61	59	58	55	53	71	70	67	66	65	64	63	62	61	59	58	57	56	55	54		
						73																										
										12	11	9	7	6	5	4																
SALEABLE	NOT APPLICABLE	34566-8083	9	B	ST GRAY	62	61	59	58	54	53	71	70	67	66	65	64	63	62	61	59	58	57	56	55	54	53					
						73			27	10	9																					
SALEABLE	NOT APPLICABLE	34566-8093	9	A	BLACK	71	70	69	68	66	65	64	62	61	54	53	71	70	67	66	65	64	63	62	61	59	58	57	56	55	54	
						73			32	31	30	29	26	25	24	23	20	19														
						16	15	14	13	10	8	6	4	3																		
SALEABLE	NOT APPLICABLE	34566-8113	9	C	BLUE	68	63	62	61	60	59	58	57	55	53	71	70	67	66	65	64	63	62	61	59	58	57	56	55	54		
						73			32	27	24	20	19	18																		
										11	10	8	5	4	3	2	1															
SALEABLE	NOT APPLICABLE	34566-8123	0	G	BLUE	80	79	78	77	76	75	74	73	72	70	69	68	67	66	65	64	63	62	61	59	58	57	56	55	54		
						73			53	52																						
										36	35	34																				
SALEABLE	NOT APPLICABLE	34566-8133	0	G	BLUE	80	79	78	77	76	75	74	73	72	70	69	68	67	66	65	64	63	62	61	59	58	57	56	55	54		
						73			51	50	49	48	47	46	45	44																
						40	39	37	36	35	34	32	31	30	29	28	26	24	23	22	21											
SALEABLE	NOT APPLICABLE	34566-8143	0	G	BLUE	80	79	78	77	76	75	74	73	72	70	69	68	67	66	65	64	63	62	61	59	58	57	56	55	54		
						73			40	39	38	37	36	35	34	33	32	31	30	29	28	27	26	25	24	23	22	21				
						20	19	18	17	16	15	14	13	12	11	10	9	8	7	6	5	4	3	2	1							

MX123 52/66/73/80-WAY RECEPTACLE ASSY SEALED PIN OUT SHEET

STATUS	GM PART #	HRNS CONN ASSY			TPA	GROMMET CAP																					
		MATERIAL/PART	WIRE DRESS OPTION	KEY OPTION Fp	COLOR OPTION Fp	NUMBERS INDICATE CAVITIES OPEN FOR CIRCUITS																					
		NUMBER				Fp																					
SALEABLE	NOT APPLICABLE	34566-8153	0	C	BLUE	72	71	70	69	68	67	66	65	64	63	62	61	60	59	58	57	56	55	34	33		
						52	51	50					28	27												35	18
						73				16		14	13													3	
SALEABLE	NOT APPLICABLE	34566-8163	9	B	ST GRAY					68	67			64	63			59	58			55	54				
											47	46	45	44	43			39	38					35			
						73				32	31	30	29	28	27			23	22					19		17	
SALEABLE	NOT APPLICABLE	34566-8173	0	B	ST GRAY	72		70		68	67				63	62	61	60	59								
						52						46			43		41	40									
						73									27				22	21	20	19	18				
SALEABLE	NOT APPLICABLE	34566-8183	9	H	ST GRAY																						
SALEABLE	NOT APPLICABLE	34566-8193	0	G	BLUE		79	78	77	76	75	74			71				67		65		63				
						60	59	58	57	56	55	54		52					47		45		43				
						40		38	37				33	32	31	30	29		27	26							
SALEABLE	NOT APPLICABLE	34566-8213	0	H	ST GRAY	20																					
SALEABLE	NOT APPLICABLE	34566-8223	9	A	BLACK																						
						73				32			29					25						20			
SALEABLE	NOT APPLICABLE	34566-8233	9	G	BLUE				77	76	75	74	73	72		70	69	68		66	65	64	63	62	61		
										56	55		53	52					46	45		43	42				
								38	37	36	35	34			31				26			23	22	21			
SALEABLE	NOT APPLICABLE	34566-8243	9	G	BLUE	20	19																				
SALEABLE	NOT APPLICABLE	34566-8253	9	G	BLUE				77	76	75	74	73	72		70	69	68		66	65	64	63	62	61		
										56	55		53	52					46	45		43	42				
								38	37	36	35	34			31				26			23	22	21			
SALEABLE	NOT APPLICABLE	34566-8263	9	G	BLUE	20	19																				
SALEABLE	NOT APPLICABLE	34566-8273	9	G	BLUE				77	76	75	74	73	72		70	69	68		66	65	64	63	62	61		
										56	55		53	52					46	45		43	42				
								38	37	36	35	34			31				26			23	22	21			
SALEABLE	NOT APPLICABLE	34566-8283	9	G	BLUE	80	79	78							71				67								
						60	59	58	57			54			51	50	49	48	47			44				41	
						40	39						33	32		30	29	28	27			25	24				
SALEABLE	NOT APPLICABLE	34566-8293	9	A	BLACK																						
						73																					
SALEABLE	NOT APPLICABLE	34566-8313	9	A	BLACK		71	70	69	68	67	66	65		63			60	59	58							
								50	49	48	47			44		42	41		39	38			36	35	34	33	
						73																					



MX123 52/66/73/80-WAY RECEPTACLE ASSY SEALED PIN OUT SHEET

STATUS	GM PART #	HRNS CONN ASSY			TPA	GROMMET CAP																						
		MATERIAL/PART	WIRE DRESS OPTION	KEY OPTION Fp		COLOR OPTION Fp	NUMBERS INDICATE CAVITIES OPEN FOR CIRCUITS Fp																					
		NUMBER																										
SALEABLE	NOT APPLICABLE	34566-8323	9	A	BLACK		71	70	69	68	67	66	65		63			60						53				
								50	49		47			44		42			39	38				36			33	
						73						31			28		26		24	23	22	21			19	18	17	
SALEABLE	NOT APPLICABLE	34566-8333	9	A	BLACK		71	70	69	68	67	66	65		63			60						53				
								50	49	48	47			44		42	41		39	38				36			33	
						73						31			28		26		24	23	22	21			19	18	17	
SALEABLE	NOT APPLICABLE	34566-8343	9	A	BLACK		71	70	69	68	67	66	65		63			60						53				
								50	49		47			44		42			39	38				36	35	34	33	
						73						31			28		26		24	23	22	21			19	18	17	
SALEABLE	NOT APPLICABLE	34566-8353	9	A	BLACK									64		62	61					57	56	55	54	53		
						72							46	45		43		41	40				37					
						52	51					32		30	29		27		25						20			
SALEABLE	NOT APPLICABLE	34566-8363	9	A	BLACK					68				64		62	61					57	56	55	54	53		
						72							46	45		43		41	40				37					
						52	51					32		30	29		27		25						20			
SALEABLE	NOT APPLICABLE	34566-8373	9	A	BLACK									64		62	61					57	56	55	54	53		
						72							46	45		43		41	40				37					
						52	51			48		46	45		43		41	40						37		35	34	
SALEABLE	NOT APPLICABLE	34566-8383	9	A	BLACK									64		62	61					57	56	55	54	53		
						72							46	45		43		41	40				37					
						52	51					32		30	29		27		25						20			
SALEABLE	NOT APPLICABLE	34566-8393	0	A	BLACK			70						64		62	61					57	56	55	54	53		
						72							46	45		43		41	40				37					
						52	51		49	48					43										36	35	34	33
SALEABLE	NOT APPLICABLE	34566-8413	0	A	BLACK			70						63	62							56	55	54	53			
						72							46	45		43		41	40				37					
						52	51		49	48					43										36	35	34	33
SALEABLE	NOT APPLICABLE	34566-8423	0	C	BLUE				69		67			64		62	61	60				57			54			
						52	51	50	49	48		46	45	44		42	41						37			34	33	
						73								28	27	26	25											
SALEABLE	NOT APPLICABLE	34566-8433	0	H	ST GRY		79	78	77																61			
						20														9					5			
SALEABLE	NOT APPLICABLE	34566-8443	0	C	BLUE		71	70			67	66	65	64			61	60	59	58	57				54			
						52	51	50		48	47		45	44			41		39	38	37					34	33	
						73								28	27		25		23								18	17
SALEABLE	NOT APPLICABLE	34566-8453	0	A	BLACK		72	71	70	69	68		66	65	64	63			60				57	56		54		
						52	51	50	49	48		46	45	44	43	42			40	39	38	37	36			34		
						73							32	31	30	29	28					23	22	21	20			
SALEABLE	NOT APPLICABLE	34566-8463	0	B	ST GRY			70			68					62	61	60	59				55					
						52				48	47	46		44	43			41	40				38	37	36	35		
						73								30										22	21	20	19	18
SALEABLE	NOT APPLICABLE	34566-8473	0	C	BLUE		71	70			67	66	65	64			62	61	60				58	57		54		
						52	51	50	49	48	47		45	44			42	41					38	37		35	34	33
						73									28	27	26	25								19	18	17

MX123 52/66/73/80-WAY RECEPTACLE ASSY SEALED PIN OUT SHEET

STATUS	GM PART #	HRNS CONN ASSY			TPA	GROMMET CAP																					
		MATERIAL/PART	WIRE DRESS OPTION	KEY OPTION Fp	COLOR OPTION Fp	NUMBERS INDICATE CAVITIES OPEN FOR CIRCUITS																					
		NUMBER				Fp																					
SALEABLE	NOT APPLICABLE	34566-8483	0	A	BLACK	72	71	70	69	68		66	65	64	63		61	60			57	56		54	53		
						52	51	50	49	48		46	45	44	43	42			40	39	38	37	36		34	33	
						73				32	31	30	29	28						23	22	21	20				2
SALEABLE	NOT APPLICABLE	34566-8493	0	B	ST GRAY	72		70		68	67					62	61	60	59				55				
						52				48	47	46		44	43			40									33
						73						30								22	21	20	19	18	17		
SALEABLE	NOT APPLICABLE	34566-8513	9	A	BLACK	72	71	70	69	68		66	65	64	63		61	60			57	56		54	53		
						52	51	50	49	48		46	45	44	43			40	39	38	37	36		34	33		
						73				32	31	30	29	28					24	23	22						2
SALEABLE	NOT APPLICABLE	34566-8523	9	B	ST GRAY	72		70		68						62	61						55				
						52				48	47	46			43			40									
						73						30								22	21	20	19	18	17		
SALEABLE	NOT APPLICABLE	34566-8533	9	C	BLUE			70		67	66	65	64			61	60			57			54				
						52	51	50	49	48	47		45	44			41				37			34	33		
						73				32				28	27			25							18	17	
SALEABLE	NOT APPLICABLE	34566-8543	9	C	BLUE		71		69		67	66	65	64			61	60			57		54				
						52	51	50	49	48	47	46	45	44							37			34	33		
						73				32				28	27												
SALEABLE	NOT APPLICABLE	34566-8553	0	B	ST GRAY					67	66	65	64			61	60			57			54				
						52	51	50	49	48	47	46	45	44										34	33		
						73				32				28	27												
SALEABLE	NOT APPLICABLE	34566-8563	0	A	BLACK	72		70		67					63		60	59	58	57	56	55					
						52	51			48	47	46			43	42		40	39	38	37	36	35				
						73								28						22	21			18	17		
SALEABLE	NOT APPLICABLE	34566-8573	0	B	ST GRAY	72	71	70	69	68	67	66	65	64	63		61	60	59		57	56	55				
						52	51	50	49	48	47	46	45	44	43		41	40	39	38	37	36	35			33	
						73				32	31	30	29	28				26		24	23	22	21	20	19		
SALEABLE	NOT APPLICABLE	34566-8583	0	C	BLUE	72	71	70	69		67	66	65	64			60				56		54				
						52	51	50	49		47	46	45	44			40	39	38				34				
						73					31	30		28		26	25	24	23	22	21				17		
SALEABLE	NOT APPLICABLE	34566-8593	0	B	ST GRAY	72				68						62	61	60	59				55				
						52				48	47	46			43		41	40			38	37	36	35			
						73						30								22	21	20	19	18			
SALEABLE	TBD	34822-0183	0	A	BLACK	64	63	62	61	60	59					54	53		51		49	66					
																		38	37		35	33					
						65					15	14	13							8	7			4	3	2	1
SALEABLE	TBD	34822-0193	0	A	BLACK	64	63								54	53		51		49	66						
																		38	37		35	33					
						65								28					24	23		21	20	19	18	17	
SALEABLE	TBD	34822-0203	0	A	BLACK					60	59					54	53		51		49	66					
																		38	37		35	33					
						65					31			28					24	23	22	21	20	19	18	17	
SALEABLE	TBD	34822-0213	0	A	BLACK	64	63	62	61	60	59					54	53		51		49	66					
																		38	37		35	33					
						65					31			28					24	23	22	21	20	19	18	17	

MX123 52/66/73/80-WAY RECEPTACLE ASSY SEALED PIN OUT SHEET

STATUS	GM PART #	HRNS CONN ASSY			TPA	GROMMET CAP																						
		MATERIAL/PART	WIRE DRESS OPTION	KEY OPTION Fp	COLOR OPTION Fp	NUMBERS INDICATE CAVITIES OPEN FOR CIRCUITS																						
		NUMBER				Fp																						
SALEABLE	NOT APPLICABLE	34566-8613	0	C	BLUE	52	71	70			67	66	65	64			61	60	59	58	57			54				
										48	47			45	44			41	40	39	38	37				34	33	
						73				32				28	27			25		23							18	17
SALEABLE	NOT APPLICABLE	34566-8623	9	C	BLUE					68			65		63	62	61		59	58	57	56	55		53			
										48			45		43	42	41					37	36	35	34	33		
						73				32	31													20	19	18		
SALEABLE	NOT APPLICABLE	34566-8633	0	B	ST GRAY	72										62	61											
						52				48	47	46			43			40										
						73						30										22	21	20	19	18	17	
SALEABLE	NOT APPLICABLE	34566-8643	0	C	BLUE		71	70			67	66		64			61	60			57			54				
						52	51	50	49	48			45	44			41			37						34	33	
						73				32				28	27			25									18	17
SALEABLE	NOT APPLICABLE	34566-8653	9	C	BLUE		71		69		67	66	65	64	63		61	60			57							
						52	51	50		48	47	46	45		43		41			37						34	33	
						73								28	27			25										
SALEABLE	NOT APPLICABLE	34566-8663	0	B	ST GRAY	72	71	70	69					64	63		61	60			58	57	56	55				
						52	51	50	49					43								38	37	36			33	
						73				32		30	29	28		26	25	24	23	22	21	20						
SALEABLE	NOT APPLICABLE	34822-0223	0	A	BLACK	64	63	62	61	60	59					54	53		51		49	66						
														38	37		35		33									
						65					31			28				24	23	22	21	20	19	18	17			
SALEABLE	NOT APPLICABLE	34566-8673	0	F	NATURAL	72		70		68	67	66			63	62			59		57				53			
						52	51		49	48	47	46		44			41	40	39		37	36	35	34	33			
						73						30			27	26	25	24		22	21	20						
SALEABLE	NOT APPLICABLE	34566-8683	0	B	ST GRAY	72		70		68	67	66			63	62			59		57				53			
						52	51		49	48	47	46		44			41	40	39		37	36	35	34	33			
						73				32		30			27	26	25	24		22	21	20						
SALEABLE	NOT APPLICABLE	34566-8693	0	A	BLACK					68	67	66			63	62			59		57			53				
						52	51		49	48	47	46		44			41	40	39		37	36	35	34	33			
						73				32		30			27	26	25	24		22	21	20						
SALEABLE	NOT APPLICABLE	34566-8713	9	B	ST GRAY	72	71	70	69					64	63			61	60			58	57	56	55			
						52	51	50	49					43								38	37	36			33	
						73				32		30	29	28		26	25	24	23	22	21	20						
SALEABLE	NOT APPLICABLE	34566-8723	0	C	BLUE		71	70				66		64			61	60			57			54				
						52	51	50	49	48			45	44			41			37						34	33	
						73				32				28	27			25									18	17
SALEABLE	NOT APPLICABLE	34566-8733	0	A	BLACK	72	71	70	69	68		66	65	64	63			60			57	56			54			
						52	51	50	49	48		46	45	44	43	42		40	39	38	37	36				34		
						73				32	31	30	29	28						23	22	21	20					
SALEABLE	NOT APPLICABLE	34566-8743	0	C	BLUE					67	66		64											54				
						52	51	50	49		47	46		44					39	38								
						73						30	29	28	27	26	25	24	23	22	21							17
SALEABLE	NOT APPLICABLE	34566-8753	0	B	ST GRAY	72	71	70	69	68	67	66	65	64	63		61	60			58	57	56	55	54	53		
						52	51	50	49	48	47	46	45	44	43			40				37	36	35	34	33		
						73				32		30	29	28		26	25	24				21		19				

MX123 52/66/73/80-WAY RECEPTACLE ASSY SEALED PIN OUT SHEET

STATUS	GM PART #	HRNS CONN ASSY			TPA	GROMMET CAP																								
		MATERIAL/PART	WIRE DRESS OPTION	KEY OPTION Fp	COLOR OPTION Fp	NUMBERS INDICATE CAVITIES OPEN FOR CIRCUITS																								
		NUMBER				Fp																								
SALEABLE	NOT APPLICABLE	34566-8763	0	A	BLACK	72	71	70											59	58	57	56	55	54	53					
						52	51	50														39	37	36	35		18	17		
						73				32	31	30	29	28	27	26							8	7				3	2	1
SALEABLE	12672857	34822-0243	9	A	BLACK	64	63	62	61	60	59							54	53		51		49	66						
							47												38	37		35		33						
						65															25	24		22	21	20	19	18	17	
SALEABLE	NOT APPLICABLE	34822-0253	0	A	BLACK		63	62	61	60	59							54	53		51		49	66						
																			38	37		35		33						
						65																	8	7				4	3	2
SALEABLE	NOT APPLICABLE	34822-0263	9	C	BLUE	64	63	62		60	59						54	53		51		49	66							
						48	47	46	45										38	37		35		33						
						65																								
SALEABLE	NOT APPLICABLE	34822-0273	9	A	BLACK	64	63										54	53		51		49	66							
							47												38	37		35		33						
						65																								
SALEABLE	NOT APPLICABLE	34822-0283	0	A	BLACK				61	60	59									51		49	66							
						65				32																				17
SALEABLE	NOT APPLICABLE	34822-0293	0	A	BLACK	64	63										54	53		51		49	66							
							47												38	37		35		33						
						65																								
SALEABLE	NOT APPLICABLE	34566-8773	9	B	ST GRAY	72		70		68							62	61	60	59										
						52				48	47	46																		
						73																								
SALEABLE	NOT APPLICABLE	34566-8783	9	A	BLACK	72	71	70	69	68								61	60				57	56		54	53			
						52	51	50	49	48																			34	33
						73				32	31	30	29	28																
SALEABLE	NOT APPLICABLE	34566-8793	9	C	BLUE		71	70																						
						52	51	50	49	48	47		45	44																
						73				32																				
SALEABLE	NOT APPLICABLE	34566-8813	9	B	ST GRAY	72	71	70	69	68	67																			
						52	51	50	49	48	47	46	45	44	43	42														
						73				32	31	30	29	28	27	26	25	24	23	22	21									
SALEABLE	NOT APPLICABLE	34566-8823	9	C	BLUE	72	71	70	69																					
						52	51	50	49																					
						73				16	15	14	13	12	11	10	9	8	7	6	5									
SALEABLE	NOT APPLICABLE	34566-8833	9	C	BLUE	72		70		68	67	66																		
						52	51		49	48	47	46		44																
						73				32		30																		
SALEABLE	NOT APPLICABLE	34566-8843	0	C	BLUE	72	71	70	69																					
						52	51	50	49																					
						73				16	15	14	13	12	11	10	9	8	7	6	5									
SALEABLE	NOT APPLICABLE	34566-8853	0	B	ST GRAY	72				68	67																			
						52				48	47	46		44	43															
						73																								



MX123 52/66/73/80-WAY RECEPTACLE ASSY SEALED PIN OUT SHEET

STATUS	GM PART #	HRNS CONN ASSY			TPA	GROMMET CAP																									
		MATERIAL/PART	WIRE DRESS OPTION	KEY OPTION Fp	COLOR OPTION Fp	NUMBERS INDICATE CAVITIES OPEN FOR CIRCUITS																									
		NUMBER																													
SALEABLE	NOT APPLICABLE	34566-8863	0	B	ST GRN	72	71	70	69						64	63		61			58	57	56	55							
						52	51	50	49							43							38	37	36					33	
						73				32		30	29	28			26	25	24	23	22	21	20								
SALEABLE	NOT APPLICABLE	34566-8873	0	B	ST GRN	72	71	70	69						64	63		61			58	57	56	55							
						52	51	50	49							43							38	37	36					33	
						73				32	31	30	29	28			26	25	24	23	22	21	20								
SALEABLE	NOT APPLICABLE	34566-8883	0	B	ST GRN	72	71	70	69	68	67	66	65	64	63		61	60	59	58	57	56	55								
						52	51	50	49	48	47	46	45	44	43		41	40	39	38	37	36	35	34	33						
						73				32	31	30	29	28	27	26	25	24	23	22	21	20	19	18	17						
SALEABLE	NOT APPLICABLE	34566-8893	0	A	BLACK	72		70		67	66	65			63			60	59	58	57	56	55								
						52	51		49	48	47	46	45			43	42		40	39	38	37	36	35							
						73									28	27				23	22	21								18	17
SALEABLE	NOT APPLICABLE	34566-8913	0	A	BLACK	72	71	70	69	68		66	65	64	63			60			57	56							54		
						52	51	50	49	48		46	45	44	43	42	41	40	39	38	37	36								34	
						73				32	31	30	29	28							23	22	21								
SALEABLE	NOT APPLICABLE	34566-8923	0	A	BLACK		71	70	69	68	67			64	63	62	61	60	59	58	57	56	55	54	53						
						52	51	50	49			46	45	44	43	42	41	40	39	38	37	36									34
						73				32			29	28	27	26	25				21										
SALEABLE	NOT APPLICABLE	34566-8933	0	C	BLUE	72	71		69	68		66	65			63			59	58		56							53		
															43				39	38		36									
						73					31	30	29						24	23	22	21	20								3
SALEABLE	NOT APPLICABLE	34566-8943	0	B	ST GRN	72				68						62	61												55		
						52						46			43			40													
						73														22	21	20	19	18	17						
SALEABLE	NOT APPLICABLE	34566-8953	9	C	BLUE	72	71	70	69		67	66		64			60												54		
						52	51	50	49		47	46		44			40	39	38												
						73						30	29	28	27	26	25	24	23	22	21										
SALEABLE	NOT APPLICABLE	34566-8963	0	B	ST GRN	72				48	47	46				62	61	60	59										55		
						52				48	47	46			43		41	40					38	37	36	35					
						73						30									22	21	20	19	18	17					
SALEABLE	NOT APPLICABLE	34566-8973	0	A	BLACK	72	71	70	69	68		66	65	64	63			60			57	56							54		
						52	51	50	49	48		46	45	44	43	42		40	39	38	37	36								34	
						73				32	31	30	29	28						23	22	21									
SALEABLE	NOT APPLICABLE	34566-8983	0	C	BLUE		71	70			67	66		64			61	60			57								54		
						52	51	50	49	48	47		45	44			41			37										34	33
						73				32				28	27		25														
SALEABLE	NOT APPLICABLE	34822-0303	0	A	BLACK																							66			
						65																									
SALEABLE	NOT APPLICABLE	34822-0313	0	A	BLACK			63	62	61	60	59				54	53			49									66		
																	38	37		35		33									
						65					31			28					24	23	22	21	20	19	18	17					
SALEABLE	NOT APPLICABLE	34566-8993	0	B	ST GRN							66				62			58												
																	41			38	37										
						73																									19
																		5									1				

MX123 52/66/73/80-WAY RECEPTACLE ASSY SEALED PIN OUT SHEET

STATUS	GM PART #	HRNS CONN ASSY			TPA	GROMMET CAP																															
		MATERIAL/PART	WIRE DRESS OPTION	KEY OPTION	COLOR OPTION	NUMBERS INDICATE CAVITIES OPEN FOR CIRCUITS																															
		NUMBER		Fp	Fp	Fp																															
SALEABLE	NOT APPLICABLE	34566-9013	0	A	BLACK	69	68	65	64	63	62	61	60	38	34	73																					
						49	48	45	44	43	42	41	40	25	24	23	22	20	19																		
														9	6	5	4																				
SALEABLE	NOT APPLICABLE	34566-9023	0	B	ST GRY						62		59					73							20	18	17										
												42	41		39	38	23	22	20	18	17																
																	7			4	3																
SALEABLE	NOT APPLICABLE	34822-0323	9	A	BLACK	62	61	60	59	58	57	56	55	52	50	66	65																				
						48	47	46	45	44	43	42	41	40	39		36	34																			
										32	31	30	29		27	26	25		23	21																	
SALEABLE	NOT APPLICABLE	34566-9033	0	C	BLUE	72		70			67			63		60	59	58	57	56	55		73														
						52	51	50	49		47	46	45	44				39	38						34												
												31	30	29	28			26	25	24	23	22	21			17											
SALEABLE	NOT APPLICABLE	34566-9043	0	C	BLUE						67	66	65	64									73														
						72	71	70	69		47	46	45	44				39	38							54											
						52	51	50	49									26	25	24	23	22	21			17											
SALEABLE	NOT APPLICABLE	34566-9053	0	C	BLUE						67	66	65	64									73														
						72	71	70	69	68		46	45	44	43	42		61	60		57	56			54	53											
						52	51	50	49	48								40	39	38	37	36				34	33										
SALEABLE	NOT APPLICABLE	34566-9063	0	B	ST GRY						67	66	65	64									73														
						72	71	70	69	68		46		44	43		41	40		22	21	20	19	18	17												
						52														8		6	4														
SALEABLE	NOT APPLICABLE	34566-9073	0	B	ST GRY	72	71	70	69	68	67	66	65	64	63		61	60	59		57	56	55		73												
						52	51	50	49	48	47	46	45	44	43		41	40	39	38	37	36	35	34	33												
										32	31	30	29	28		26		24	23	22	21	20	19	18	17												
SALEABLE	NOT APPLICABLE	34566-9083	0	A	BLACK			70			67			63		60	59	58	57	56	55		73														
						52	51			48	47	46			28	27		40	39	38	37	36	35		18	17											
															12	11		9		7						2	1										
SALEABLE	NOT APPLICABLE	34566-9093	0	A	BLACK	72		70			67			63		60	59	58	57	56	55		73														
						52	51			48	47	46			43	42		40	39	38	37	36	35														
																28	27				22	21				18	17										
SALEABLE	NOT APPLICABLE	34566-9113	0	A	BLACK	72	71	70	69	68		66	65	64	63		61	60			57	56		54	53	73											
						52	51	50	49	48		46	45	44	43	42		40	39	38	37	36			34	33											
												31	30	29	28				23	22	21	20															
SALEABLE	NOT APPLICABLE	34566-9123	0	G	BLUE			78	77	76	75	74		72		70				64	63				73												
						60		58	57	56	55	54		52	51	50	49		47		45																
						40	39	38	37				33	32	31				27	26																	
SALEABLE	NOT APPLICABLE	34822-0333	0	A	BLACK							58	57	56	55		52		50					65													
						48		46	45	44	43	42	41	40	39		36	34																			
										32	31	30	29		27	26		23																			
SALEABLE	NOT APPLICABLE	34822-0343	0	A	BLACK				61			58												65													
										44	43		41	40		38																					
										31										5	4																
SALEABLE	NOT APPLICABLE	34822-0353	0	A	BLACK	64						58	57	56	55		52		50					65													
						48	47	46	45	44	43	42	41	40	39		36	34																			
										32		30	29		27	26																					

MX123 52/66/73/80-WAY RECEPTACLE ASSY SEALED PIN OUT SHEET

STATUS	GM PART #	HRNS CONN ASSY			TPA	GROMMET CAP																							
		MATERIAL/PART	WIRE DRESS OPTION	KEY OPTION Fp	COLOR OPTION Fp	NUMBERS INDICATE CAVITIES OPEN FOR CIRCUITS																							
		NUMBER				Fp																							
SALEABLE	NOT APPLICABLE	34566-9143	9	F	NATURAL	72	71	70			67	66	65	64	63	62	61	60	59			56	55	54	53				
						52	51	50	49	48	47	46	45	44										36	35	34			
						73				32	31		29	28	27	26	25	24	23	22	21	20							
SALEABLE	NOT APPLICABLE	34566-9153	9	B	ST GRAY						66																		
																41							38	37					
						73																		20	19	18	17		
SALEABLE	NOT APPLICABLE	34566-9163	9	B	ST GRAY					68	67	66	65			62		60	59					54	53				
										48	47	46	45	44		42	41	40	39							35	34		
						73					31				27												19	18	17
SALEABLE	NOT APPLICABLE	34566-9173	0	B	ST GRAY								65			62				58									
																41							38	37					
						73																				19	18	17	
SALEABLE	NOT APPLICABLE	34822-0363	9	C	BLUE				61			58																	
										44	43		41	40		38													
						65					31															20			
SALEABLE	NOT APPLICABLE	34822-0373	9	A	BLACK	64	63	62	61	60						55			52	51			49						
						48	47	46	45							38													
						65				32		30	29		27												20	19	18
SALEABLE	NOT APPLICABLE	34822-0383	9	A	BLACK	64	63	62	61	60			57					52	51			49							
						48	47	46	45					40															
						65				32		30	29		27												20	19	18
SALEABLE	NOT APPLICABLE	34822-0393	0	A	BLACK	64	63	62	61	60			57					52	51			49							
						48	47	46	45							38													
						65				32		30	29		27												20	19	18
SALEABLE	NOT APPLICABLE	34822-0403	9	A	BLACK	64	63									54	53		51			49							
																38	37		35										
						65					31			28													20	19	18
SALEABLE	NOT APPLICABLE	34822-0413	0	A	BLACK																								
						65					15	14	13	12	11												4	3	2
SALEABLE	NOT APPLICABLE	34822-0423	9	A	BLACK	64	63									54	53		51			49							
																38	37		35										
						65					15	14	13	12	11												4	3	2
SALEABLE	NOT APPLICABLE	34566-9183	9	B	ST GRAY	72	71	70	69	68	67		65	64	63	62	61	60	59			57	56	55	54	53			
						52	51	50	49	48	47	46	45	44	43	42		40	39							36	35	34	33
						73				32	31	30	29	28	27	26	25	24	23	22	21								19
SALEABLE	NOT APPLICABLE	34566-9193	9	F	NATURAL				69	68																			
						73						30																19	18
SALEABLE	NOT APPLICABLE	34822-0433	0	A	BLACK	64	63	62		60	59		57	56	55	54	53	52	51	50	49								
						48	47	46	45				42			39		37	36	35	34	33							
						65				32		30	29	28	27	26	25	24	23	22	21						20	19	18
SALEABLE	NOT APPLICABLE	34822-0443	0	A	BLACK	64	63	62		60	59		57	56	55	54	53	52	51	50	49								
						48	47	46	45				42			39		37	36	35	34	33							
						65				32	31	30	29	28	27	26	25	24	23	22	21						20	19	18

MX123 52/66/73/80-WAY RECEPTACLE ASSY SEALED PIN OUT SHEET

STATUS	GM PART #	HRNS CONN ASSY			TPA	GROMMET CAP																								
		MATERIAL/PART	WIRE DRESS OPTION	KEY OPTION Fp	COLOR OPTION Fp	NUMBERS INDICATE CAVITIES OPEN FOR CIRCUITS																								
		NUMBER				Fp																								
SALEABLE	NOT APPLICABLE	34566-9323	9	A	BLACK	72										64		62	61		59	58	57	56	55	54	53			
						52	51					48		46	45		43		41	40							37		35	34
						73				32		30	29		27		25											20		
SALEABLE	NOT APPLICABLE	34566-9333	9	A	BLACK	72										64		62	61		59	58	57	56	55	54	53			
						52	51					48		46	45		43		41	40							37		35	34
						73				32		30	29		27		25											20		
SALEABLE	NOT APPLICABLE	34566-9343	9	C	BLUE	72		70	69	68		66					63	62				58			56	55		53		
									49			46				43	42		40				38			36	35			
						73						31	30	29				26		24				22	21		20	19		17
SALEABLE	NOT APPLICABLE	34822-0503	0	A	BLACK	64		62	61	60	59	58					54	53		51										
						48	47									38	37	36		34										
						65							30	29	28				26		24			21						17
SALEABLE	NOT APPLICABLE	34822-0513	9	A	BLACK		63	62	61							54	53							49						
																38	37		35						33					
						65						31			28				24			22	21		20	19	18	17		
SALEABLE	NOT APPLICABLE	34566-9353	9	A	BLACK	72										64		62	61			58	57	56	55	54	53			
						52	51					48		46	45		43		41	40						37		35	34	
						73				32		30	29		27		25										20			
SALEABLE	NOT APPLICABLE	34566-9363	9	A	BLACK	72										64		62	61					57	56	55	54	53		
						52	51					46	45		43			40								37		35	34	
						73				32		30	29		27		25										20			
SALEABLE	NOT APPLICABLE	34566-9373	9	G	BLUE	80																								
							59		57									49												
							39											30												
SALEABLE	NOT APPLICABLE	34566-9383	9	A	BLACK	72	71	70	69	68					64	63	62	61		59	58	57	56	55	54	53				
						52	51	50		48	47	46	45	44	43		41	40	39	38	37					35	34	33		
						73				32		30	29		27	26	25	24								20	19	18	17	
SALEABLE	NOT APPLICABLE	34566-9393	0	B	ST GRAY	72	71	70	69	68	67		65	64	63		61	60	59		57	56	55	54	53					
						52	51	50	49	48	47	46	45	44	43	42		40	39					36	35	34	33			
						73				32	31	30	29	28	27	26	25	24	23	22	21	20								
SALEABLE	NOT APPLICABLE	34566-9413	9	H	ST GRAY																									
SALEABLE	NOT APPLICABLE	34566-9423	0	A	BLACK	72	71	70			67	66									58	57	56	55	54	53				
						52	51	50			47	46										39		37	36	35		33		
						73				32	31	30	29	28	27	26												18	17	
SALEABLE	NOT APPLICABLE	34566-9433	0	B	ST GRAY	72	71	70	69	68	67	66	65	64	63		61				58	57	56	55	54	53				
						52	51	50	49	48	47	46	45	44				40	39					37	36	35	34	33		
						73						30	29	28	27	26	25	24			21									
SALEABLE	NOT APPLICABLE	34566-9443	9	B	ST GRAY	72	71	70	69	68	67		65	64	63	62	61	60	59		57	56	55	54	53					
								50	49	48	47	46		44	43	42		40	39					36	35	34	33			
						73				32	31	30	29	28	27	26	25	24	23	22	21									
SALEABLE	NOT APPLICABLE	34566-9453	0	A	BLACK	72	71	70	69		67			64			61	60	59		57	56	55	54	53					
						52	51					48		45	44			41	40	39	38	37	36	35	34					
						73						31	30	29		27	26	25			22					19	18			

MX123 52/66/73/80-WAY RECEPTACLE ASSY SEALED PIN OUT SHEET

STATUS	GM PART #	HRNS CONN ASSY			TPA	GROMMET CAP																														
		MATERIAL/PART	WIRE DRESS OPTION	KEY OPTION ∇_{Fp}	COLOR OPTION ∇_{Fp}	NUMBERS INDICATE CAVITIES OPEN FOR CIRCUITS ∇_{Fp}																														
		NUMBER																																		
SALEABLE	NOT APPLICABLE	34566-9463	0	G	BLUE	80	79	78			75									66	65	64														
							59														46					43	42	41								
								39	38	37		35									30						26	25	24		22	21				
						20			18	17	16								12							8	7	6	5		3	2	1			
SALEABLE	NOT APPLICABLE	34566-9473	0	G	BLUE	80	79	78			75								66	65	64							62								
							59								53						46							43	42	41						
								39	38	37		35									30								26	25	24		22	21		
						20			18	17	16								12							8	7	6	5		3	2	1			
SALEABLE	NOT APPLICABLE	34566-9483	0	G	BLUE	80	79	78			75							66	65	64								62								
							59														46									43	42	41				
								39	38	37		35									30									26	25	24		22	21	
						20			18	17	16								12							8	7	6	5		3	2	1			
SALEABLE	NOT APPLICABLE	34566-9493	0	G	BLUE	80	79	78			75						66	65										62								
							59													46										43	42	41				
								39	38	37		35									30										26	25	24		22	21
						20			18	17	16								12							8	7	6	5		3	2	1			
SALEABLE	NOT APPLICABLE	34566-9513	0	G	BLUE	80	79	78	77	76	75	74	73	72	71	70	69	68	67	66	65	64	63	62	61											
						60	59	58	57	56	55	54	53	52	51	50	49	48		46				43	42	41										
								39	38	37		35									30									26	25	24		22	21	
						20			18	17	16									12						8	7	6	5		3	2	1			
SALEABLE	NOT APPLICABLE	34566-9523	0	G	BLUE	80	79	78			75						66	65	64								62									
							59		57					53						46											43	42	41			
								39	38	37		35		33						30											26	25	24		22	21
						20			18	17	16									12						8	7	6	5		3	2	1			
SALEABLE	NOT APPLICABLE	34822-0523	0	C	BLUE	64	63	62		60	59		57	56	55	54	53	52	51	50	49	66														
						48	47	46	45			42			39		37	36	35	34	33								19	18	17					
						65								32	31	30	29	28	27	26	25	24	23	22												
										16	15	14	13	12	11	10	9	8	7	6																
SALEABLE	NOT APPLICABLE	34566-9543	0	A	BLACK																															
									49	48	47	46	45	44	43			40		38	37	36								34						
						73						32	31		29	28	27		25	24	23	22			20	19	18	17								
										16	15			12		10	9			6	5										2	1				
SALEABLE	NOT APPLICABLE	34566-9553	0	C	BLUE											66	65	64	63	62		60	59		57	56	55	54	53							
						52	51	50	49	48	47	46	45				42					39							37	36	35	34	33			
						73						32		30	29	28	27	26	25	24	23	22									19	18	17			
										16	15	14	13	12	11	10	9	8	7	6												3	2	1		
SALEABLE	NOT APPLICABLE	34566-9563	0	C	BLUE	72	71	70	69		67	66	65	64					60									56		54						
						52	51	50	49	48	47	46	45	44					40	39	38											34				
						73						31	30		28			26	25	24	23	22	21	20												
										16	15	14	13	12						9	8	7	6	5	4											
SALEABLE	NOT APPLICABLE	34566-9573	0	B	ST GRAY	72	71	70	69	68	67		65	64	63			61	60	59					57	56	55	54	53							
						52	51	50	49	48	47	46	45	44	43	42			40	39									36	35	34	33				
						73						32	31	30	29	28	27	26	25	24	23	22	21													
										16	15	14	13	12	11	10	9	8	7	6					4	3	2									
SALEABLE	NOT APPLICABLE	34566-9583	0	B	ST GRAY	72	71	70	69	68	67	66	65	64	63			61	60	59					57	56	55	54								
						52	51	50	49	48	47	46	45	44	43			41	40	39	38	37	36	35	34	33										
						73						32	31	30	29	28			26	25	24	23	22	21	20	19	18	17								
										16	15	14	13	12					9	8	7	6	5	4	3	2	1									
SALEABLE	NOT APPLICABLE	34566-9593	0	A	BLACK	72		70			67					63			60	59	58	57	56	55												
						52	51			48	47				43	42		40	39	38	37	36	35													
						73									28	27														18	17					
																	12	11		9	7									2	1					
SALEABLE	NOT APPLICABLE	34566-9613	0	C	BLUE		71	70	69		67	66	65	64					60								56		34							
						52	51	50	49		47	46	45	44					40	39																
						73						31	30		28			26	25	24	23	22	21	20	19	18	17									
										16	15	14	13	12					9	8	7	6	5	4												
SALEABLE	NOT APPLICABLE	34566-9623	9	B	ST GRAY	72	71	70						64	63		61			58	57	56	55													
						52	51	50						43						38	37	36														
						73						32		30	29	28			26	25	24	23	22	21	20											
										16				14	13				11	10	9	8	7	6	5	4										

MX123 52/66/73/80-WAY RECEPTACLE ASSY SEALED PIN OUT SHEET

STATUS	GM PART #	HRNS CONN ASSY			TPA	GROMMET CAP																				
		MATERIAL/PART	WIRE DRESS OPTION	KEY OPTION Fp	COLOR OPTION Fp	NUMBERS INDICATE CAVITIES OPEN FOR CIRCUITS																				
		NUMBER				Fp																				
SALEABLE	NOT APPLICABLE	34566-9633	9	B	ST GRAY	72	71	70	69	68	67		65	64	63		61	60	59		57	56	55	54	53	
						52	51	50	49	48	47	46	45	44	43	42		40	39				36	35	34	33
						73				32	31	30	29	28	27	26	25	24	23	22	21	20				3
SALEABLE	NOT APPLICABLE	34566-9643	9	A	BLACK				69					64	63		61		59							
						52				48				44	43		41		39	38				35	34	
						73						30	29							10					5	
SALEABLE	NOT APPLICABLE	34566-9653	9	G	BLUE	80													66	65						
							59		57																	
							39									30										
SALEABLE	NOT APPLICABLE	34566-9663	0	B	ST GRAY	72	71	70	69	68	67	66	65	64	63		61			58	57	56	55	54	53	
						52	51	50	49	48	47	46	45	44			40				37	36	35	34	33	
						73				32		30	29	28		26	25	24			21					
SALEABLE	NOT APPLICABLE	34822-0533	9	C	BLUE	64	63			60	59		57	56	55		53	52	51	50	49	66				
						48	47	46	45			42			39	38		36	35	34	33					
						65				32		30	29	28	27	26	25	24	23	22			20			18
SALEABLE	NOT APPLICABLE	34822-0543	0	A	BLACK	64	63	62	61	60	59					54	53		51		49	66				
							47								38	37		35			33					
						65							28			25	24		22	21		20	19	18	17	
SALEABLE	NOT APPLICABLE	34822-0553	0	A	BLACK	64	63								54	53		51		49	66					
														38	37		35		33							
						65					31		28				24	23		21		20	19	18	17	
SALEABLE	NOT APPLICABLE	34822-0563	0	C	BLUE	64	63	62		60	59		57	56	55	54	53	52	51	50	49	66				
						48	47	46	45			42			39		37	36	35	34	33					
						65				32		30	29	28	27	26		24	23	22				19	18	17
SALEABLE	NOT APPLICABLE	34566-9673	0	C	BLUE	72	71	70	69		67	66	65	64				60			56			54		
						52	51	50	49		47	46	45	44				40	39	38					34	
						73					31	30		28		26	25	24	23	22	21	20				
SALEABLE	NOT APPLICABLE	34566-9683	0	B	ST GRAY	72	71	70	69	68	67	66	65	64	63		61	60		57	56	55	54			
						52	51	50	49	48	47	46	45	44	43		41	40		38	37	36	35			33
						73				32	31	30	29	28		26		24	23	22	21	20	19			
SALEABLE	NOT APPLICABLE	34566-9693	0	A	BLACK	72		70			67				63			60	59	58	57	56	55	53		
						52	51			48	47				43	42		40	39	38	37	36	35			33
						73								28												18
SALEABLE	NOT APPLICABLE	34566-9713	0	B	ST GRAY					68	67	66	65	64					59	58	57		55	54	53	
							51	50	49	48		46	45		43	42		40	39	38	37			35		33
						73				32	31	30				26		24	23	22		20				
SALEABLE	NOT APPLICABLE	34566-9723	0	B	ST GRAY																					
							51	50	49	48	47	46	45		43			40			37	36				
						73				32		30	29	28		26	25	24			21			19		
SALEABLE	NOT APPLICABLE	34566-9733	0	A	BLACK	72	71	70			67	66						59						53		
						52	51	50			47	46						39			37			35		33
						73						30	29	28	27	26				21						3
SALEABLE	NOT APPLICABLE	34822-0573	0	A	BLACK	64	63									54	53		51		49	66				
															38	37		35		33						
						65							28				24		22			20	19	18	17	

MX123 52/66/73/80-WAY RECEPTACLE ASSY SEALED PIN OUT SHEET

STATUS	GM PART #	HRNS CONN ASSY			TPA	GROMMET CAP																				
		MATERIAL/PART	WIRE DRESS OPTION	KEY OPTION Fp	COLOR OPTION Fp	NUMBERS INDICATE CAVITIES OPEN FOR CIRCUITS																				
		NUMBER				Fp																				
SALEABLE	NOT APPLICABLE	34822-0653	0	A	BLACK	64	63	62	61		59					54	53				49	66				
											31			28				24		22	21	20	19	18	17	
						65					15	14	13	12				8	7				4	3	2	1
SALEABLE	NOT APPLICABLE	34566-9833	9	B	ST GRAY	72	71	70	69	68	67			64	63		61			58	57	56	55	54	53	
						52	51	50	49	48	47			44	43		41			38	37	36				33
						73					32		30	29	28		26	25	24	23	22	21	20			
SALEABLE	NOT APPLICABLE	34566-9843	9	A	BLACK	72	71	70			67	66	65	64	63	62	61			59				55	54	53
						52	51	50			47	46	45	44	43	42	41	40	39			37	36	35	34	33
						73						30	29													18
SALEABLE	NOT APPLICABLE	34566-9853	9	B	ST GRAY	72	71	70	69	68	67			65	64	63	62	61	60	59	58	57	56	55	54	53
						52	51	50	49	48	47	46	45	44	43	42		40	39			36	35	34	33	
						73					32	31	30	29	28	27	26	25	24	23	22	21	20			
SALEABLE	NOT APPLICABLE	34566-9863	0	B	ST GRAY	72	71	70	69	68	67			65	64	63	62	61	60	59		57	56	55	54	53
						52	51	50	49	48	47	46	45	44	43	42		40	39			36	35	34	33	
						73					32	31	30	29	28	27	26	25	24	23	22	21				
SALEABLE	NOT APPLICABLE	34566-0004	0	A	BLACK	72	71	70	69		67			64	63		61	60	59		57	56	55	54	53	
						52	51			48			45	44	43		41	40	39	38	37	36	35	34	33	
						73					31	30	29		27	26	25		22			19	18			
SALEABLE	NOT APPLICABLE	34566-0014	0	G	BLUE	80	79	78	77		75								66	65	64		62			
							59		57										46			43	42	41		
							39	38	37		35		33	32		30				26	25	24		22	21	
SALEABLE	NOT APPLICABLE	34566-0024	0	G	BLUE	20		18	17	16	15			12				8	7	6	5		3	2	1	
SALEABLE	NOT APPLICABLE	34566-0034	0	G	BLUE	80	79	78			75								66	65	64		62			
							59		57				53						46			43	42	41		
							39	38	37		35		33	32		30				26	25	24		22	21	
SALEABLE	NOT APPLICABLE	34566-0044	0	A	BLACK	72	71	70	69		67			64			61	60	59		57	56	55	54	53	
						52	51			48			45	44			41	40	39	38	37	36	35	34	33	
						73					31	30	29		27	26	25		22			19	18			
SALEABLE	NOT APPLICABLE	34566-0054	0	G	BLUE	80	79	78	77		75								66	65	64		62			
							59		57										46			43	42	41		
							39	38	37		35		33			30				26	25	24		22	21	
SALEABLE	NOT APPLICABLE	34566-0064	0	A	BLACK	72	71	70	69		67			64	63		61	60	59		57	56	55	54	53	
						52	51			48			45	44	43		41	40	39	38	37	36	35	34		
						73					31	30	29		27	26	25		22			19	18			
SALEABLE	NOT APPLICABLE	34566-0084	0	A	BLACK			70	69		67			64			61	60	59		57	56	55	54	53	
						52	51			48			45	44			41	40	39	38	37	36	35	34	33	
						73					31	30	29		27	26	25		22			19				
SALEABLE	NOT APPLICABLE	34566-0094	0	B	ST GRAY	72	71	70	69	68	67			65	64	63	62	61	60	59		57	56	55	54	53
						52	51	50	49	48	47	46	45	44	43	42		40	39			36	35	34	33	
						73					32	31	30	29	28	27	26	25	24	23	22	21				
SALEABLE	NOT APPLICABLE	34566-0104	0	B	ST GRAY	72	71	70	69	68	67			65	64	63	62	61	60	59		57	56	55	54	53
								50	49	48	47	46		44	43	42		40	39			36	35	34	33	
						73					32	31	30	29	28	27	26	25	24	23	22	21				

MX123 52/66/73/80-WAY RECEPTACLE ASSY SEALED PIN OUT SHEET

STATUS	GM PART #	HRNS CONN ASSY			TPA	GROMMET CAP																																							
		MATERIAL/PART	WIRE DRESS OPTION	KEY OPTION Fp		COLOR OPTION Fp	NUMBERS INDICATE CAVITIES OPEN FOR CIRCUITS																																						
		NUMBER					Fp																																						
SALEABLE	NOT APPLICABLE	34566-0114	0	B	ST GR	72	71	70	69						64	63		61				58	57	56	55							33													
						52	51	50	49																38	37	36																		
						73				32			30	29	28				26	25	24	23	22	21	20													1							
SALEABLE	NOT APPLICABLE	34566-0124	0	B	ST GR	72											62	61	60	59													55												
						52				48	47	46																											33						
						73							30														22	21	20	19	18	17													
SALEABLE	NOT APPLICABLE	34566-0134	0	B	ST GR	72											62	61	60	59															55										
						52				48	47	46																												33					
						73							30															22	21	20	19	18	17												
SALEABLE	NOT APPLICABLE	34566-0144	9	B	ST GR	72																															55								
						52				48	47	46																													33				
						73							30															22	21	20	19	18	17												
SALEABLE	NOT APPLICABLE	34822-0663	9	C	BLUE	61	60			58																																			
										44	43																																		
						65							31																																
SALEABLE	NOT APPLICABLE	34822-0673	0	A	BLACK	64																																							
						48	47	46	45	44	43	42	41	40	39																														
						65							32																																
SALEABLE	NOT APPLICABLE	34822-0683	9	A	BLACK			63	62	61	60	59																																	
										44																																			
						65							31																																
SALEABLE	NOT APPLICABLE	34822-0693	9	C	BLUE				62	61																																			
										44	43																																		
						65							31																																
SALEABLE	NOT APPLICABLE	34566-0154	9	B	ST GR	72	71	70	69	68	67	66	65	64	63	62	61	60	59																										
						52	51	50	49	48	47	46	45	44	43	42	41	40	39																										
						73				32	31	30	29	28	27	26	25	24	23	22	21																								
SALEABLE	NOT APPLICABLE	34566-0164	0	G	BLUE	80	79	78	77																																				
						73							30	29	28																														
SALEABLE	NOT APPLICABLE	34566-0174	9	B	ST GR	72	71	70																																					
						52	51	50																																					
						73							30	29	28																														
SALEABLE	NOT APPLICABLE	34566-0184	9	B	ST GR	72	71	70	69	68	67	66	65	64	63																														
						52	51	50	49	48	47	46	45	44	43	42	41	40																											
						73							30	29	28																														