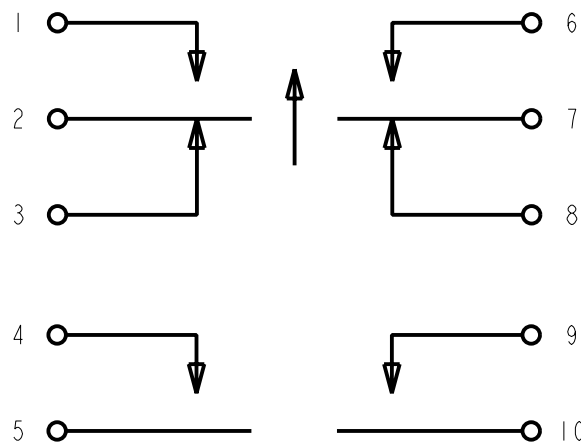


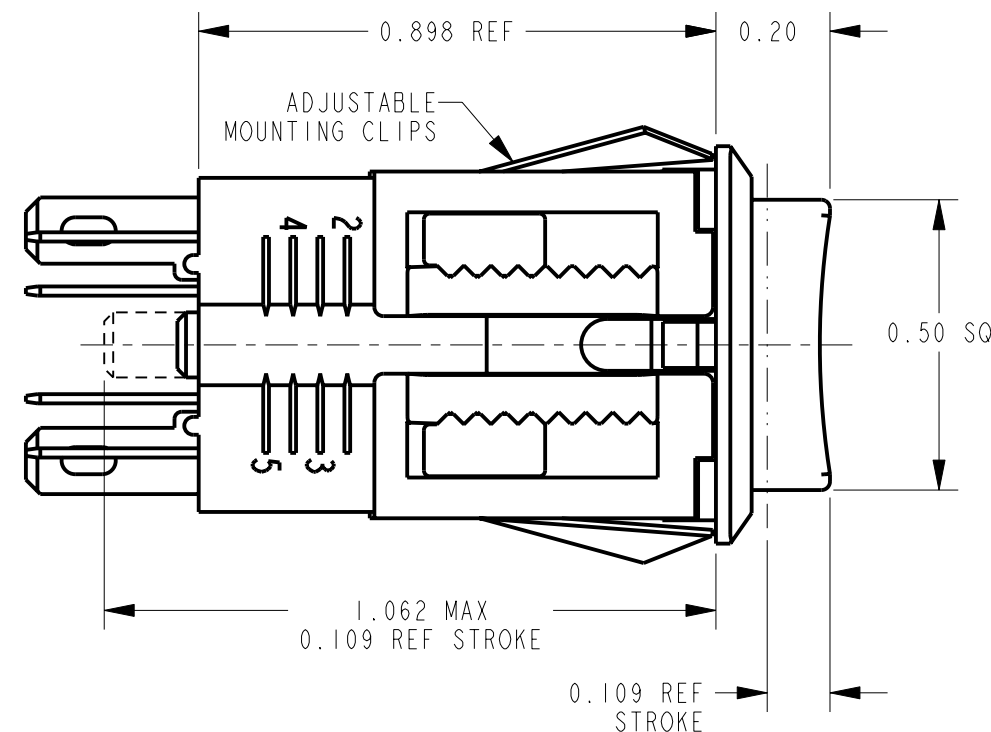
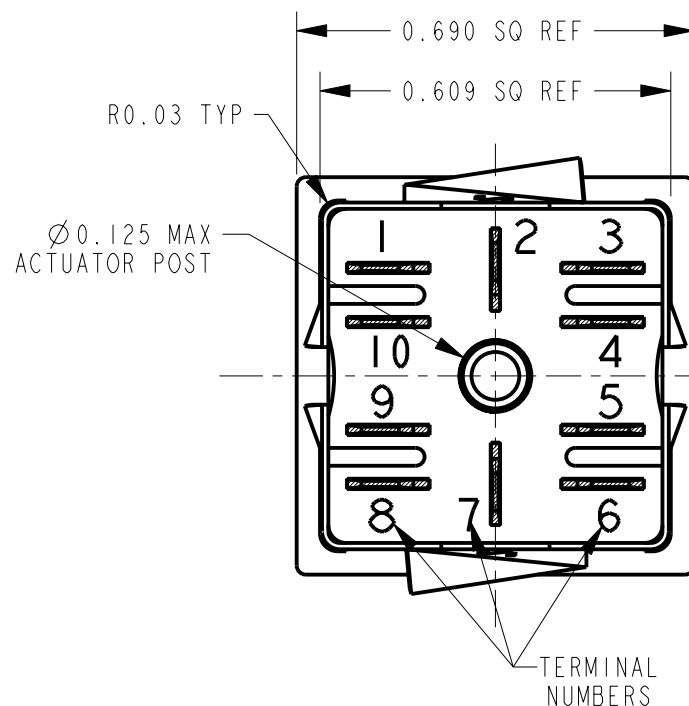
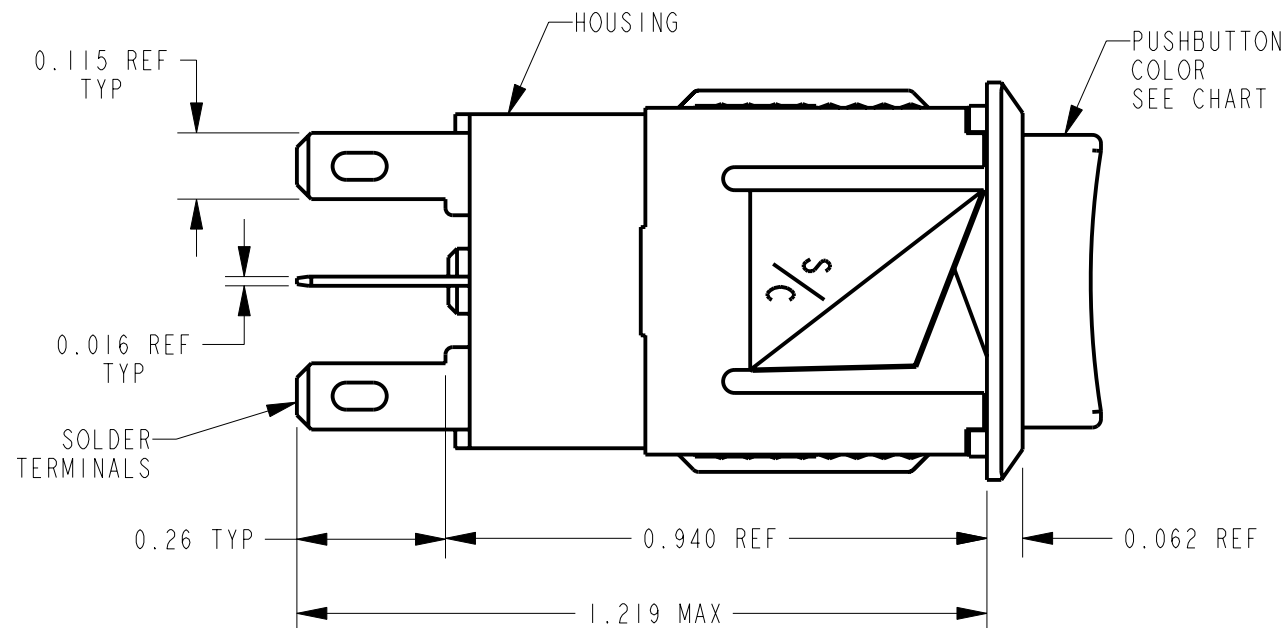
NOTES:

- SOLDER TERMINAL ARRANGEMENT: 1,2,3,4,5,6,7,8,9,10.
- CONTACT RATING 0.25 AMP, 30 WATTS MAX, AC, NON - INDUCTIVE LOAD.
- DIELECTRIC STRENGTH - 500 VOLTS, RMS. MIN.
- SWITCH MOUNTS IN PANELS 0.047 TO 0.281 THICK.
 POSITION 1: 0.047 - 0.094
 POSITION 2: 0.094 - 0.141
 POSITION 3: 0.141 - 0.188
 POSITION 4: 0.188 - 0.234
 POSITION 5: 0.234 - 0.281
- MATERIALS:
 HOUSING: THERMOPLASTIC, CHARCOAL GRAY
 PUSHBUTTON: THERMOPLASTIC, COLOR (SEE CHART)
 MOUNTING CLIP: COPPER ALLOY
 CONTACT SPRING, INTEGRAL: COPPER ALLOY, SILVER PLATED
 TERMINALS: COPPER ALLOY, SILVER PLATED
 ACTUATOR: THERMOPLASTIC, BEIGE
 SPRING: MUSIC WIRE, TINNED
 RETAINER PLATE: PAPER EPOXY LAMINATE
- THESE PRODUCTS ARE RoHS COMPLIANT.

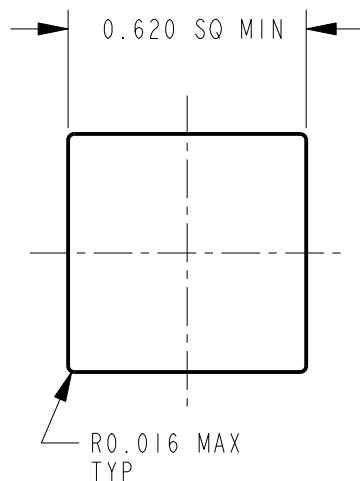
PART NUMBER	PUSHBUTTON COLOR
BXR0110	RED
BXR0210	BLACK
BXR0310	GREEN
BXR0510	WHITE



SCHEMATIC
2-A + 2-C



CUSTOMER DRAWING



PANEL CUTOUT
SCALE 2:1

REV	ECO NUMBER	DATE	BY	APVD
A	27357	9-12-14	TO	TJK
REVISIONS				

★ STAR SYMBOL DENOTES CRITICAL DIMENSION

UNLESS OTHERWISE SPECIFIED

- ALL DIMENSIONS IN INCHES
 - TWO PLACE DECIMALS ±0.01
 - THREE PLACE DECIMALS ±0.005
 - ANGLES ±1°
 - ALL DIA. CONCENTRIC WITHIN 0.005 T.I.R.
- FEATURES ON THE SAME CENTERLINE MUST BE ALIGNED WITHIN ±0.002
- REMOVE ALL BURRS

DO NOT SCALE DRAWING

THIS DRAWING DESCRIBES A DESIGN CONSIDERED PROPRIETARY IN NATURE, DEVELOPED AND MANUFACTURED BY SWITCHCRAFT INC. AND IS RELEASED ON A CONFIDENTIAL BASIS FOR IDENTIFICATION PURPOSES ONLY.									
SIZE	WIDTH	MULT	LBS/M	TEMPER					
FINISH					MATERIAL				
SPEC No.					SPEC No.				
FIRST USED ON					SCALE				
					3:1				
DATE DRAWN	BY	CHKD	APVD						
8-21-14	TO	TO	TJK						
			8-21-14						
NAME					PART No.				
BXR SWITCH, MOMENTARY SOLDER TERMINALS, RoHS					BXR0_10 SERIES				
					REV				
					A				