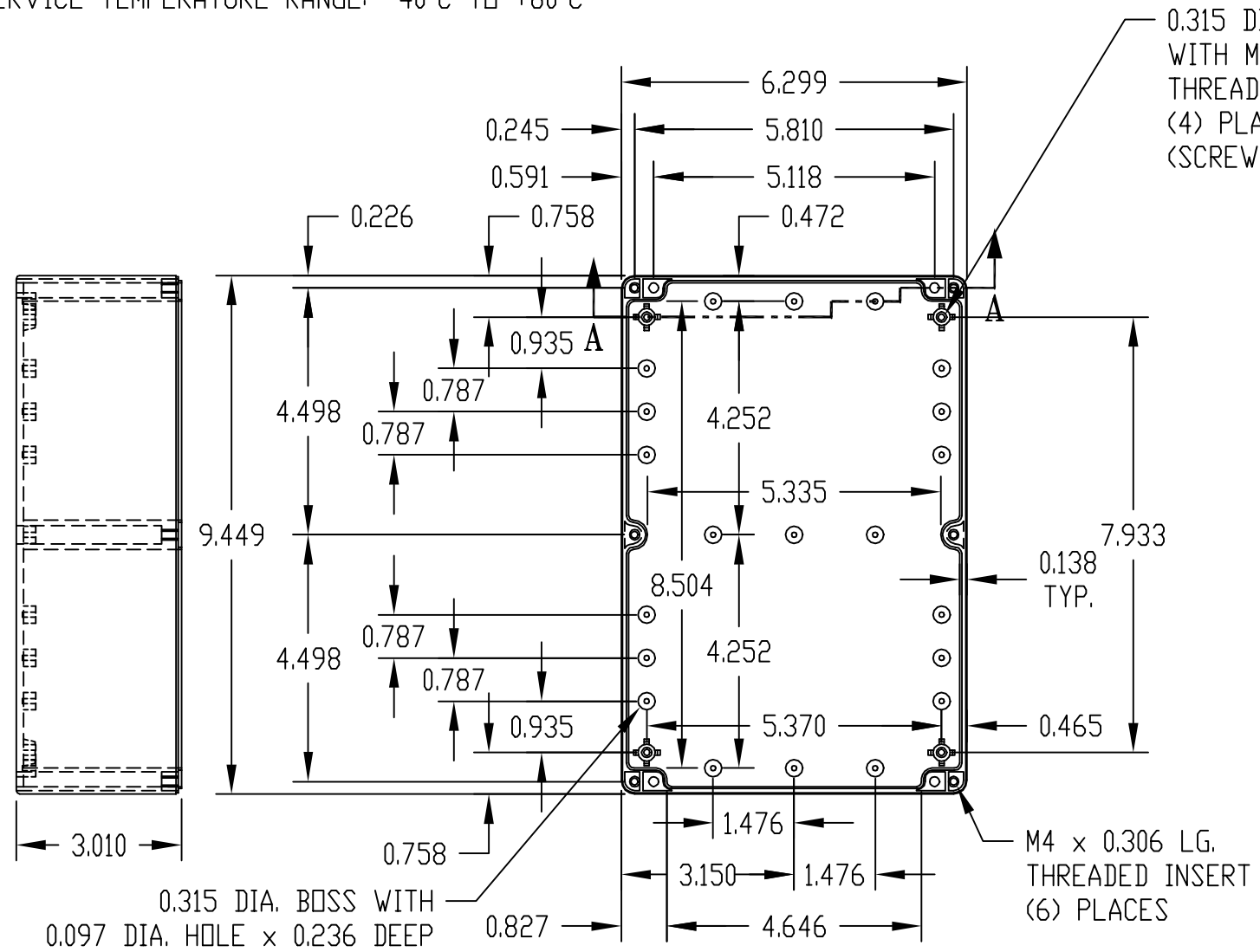
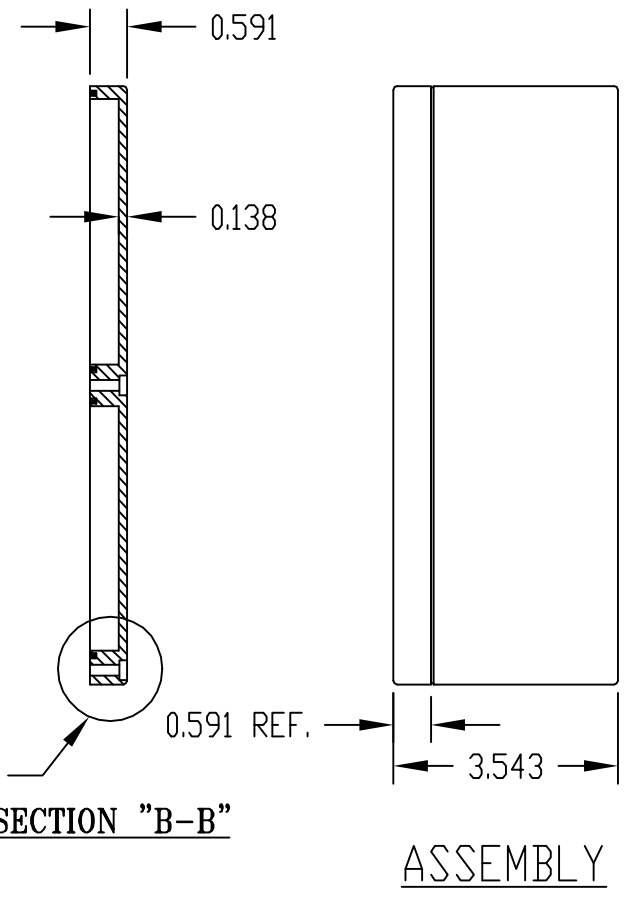
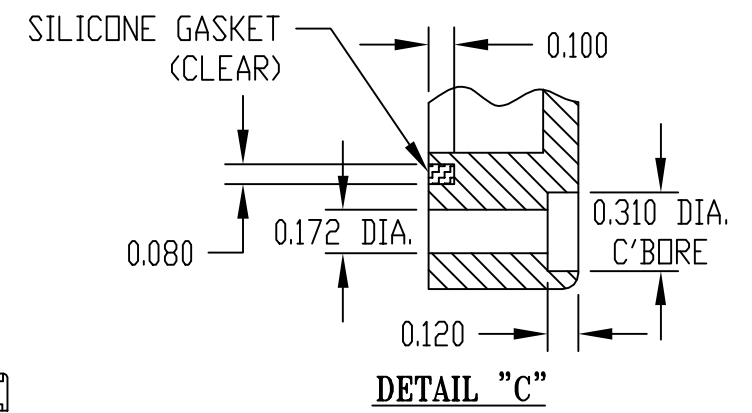
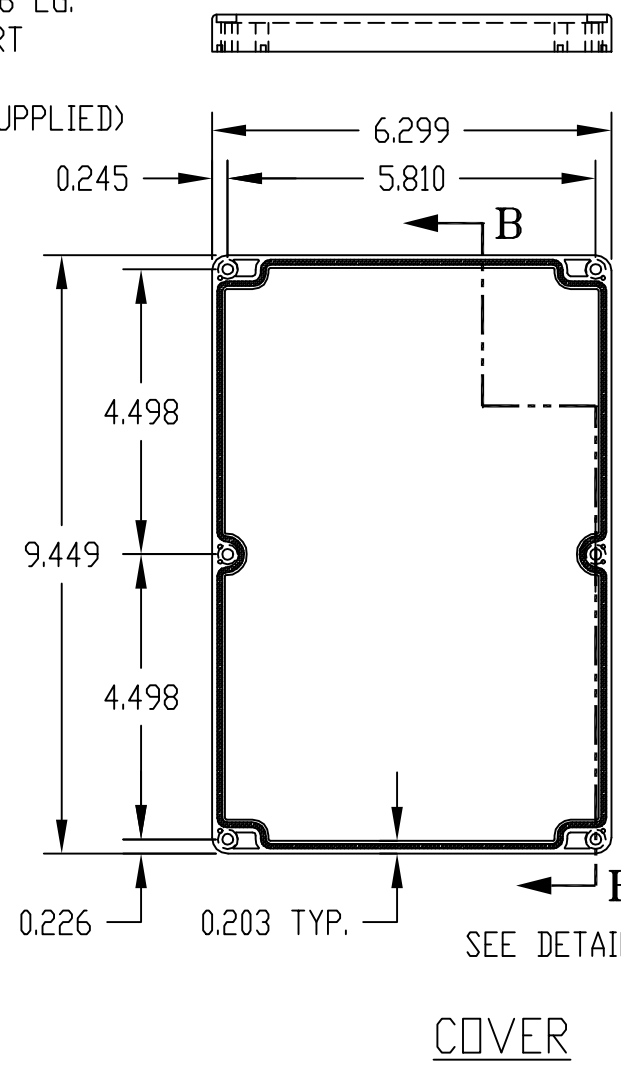
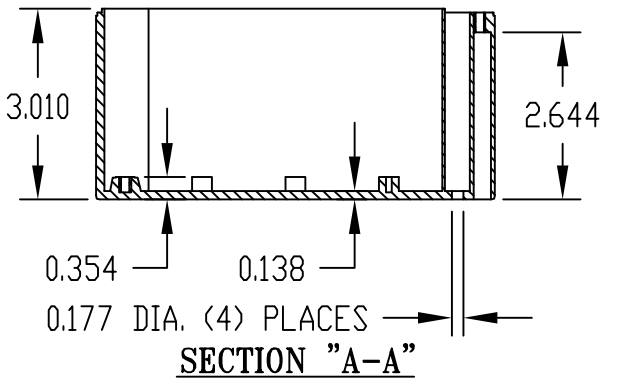


INDUSTRY STANDARDS:  
POLYCARBONATE (LIGHT GRAY AND CLEAR)  
 UL94-HB FLAMMABILITY RATING (UL FILE #E41613)  
 UV STABILIZED  
 SERVICE TEMPERATURE RANGE: -40°C TO +120°C  
ABS (DARK GRAY)  
 UL94-HB FLAMMABILITY RATING (ULFILE #E560700)  
 SERVICE TEMPERATURE RANGE: -40°C TO +80°C



BODY



NOTE: ALL DIMENSIONS HAVE ±0.015 TOLERANCE UNLESS OTHERWISE SPECIFIED.

| PART NUMBER | MATERIAL        |       | FINISH     |       | HARDWARE KIT  |
|-------------|-----------------|-------|------------|-------|---|
|             | BODY            | COVER | BODY       | COVER |   |
| PN-1340     | POLYCARBONATE   |       | LIGHT GRAY |       | KIT CONTAINS (6) M4 x 20mm (0.787") LG. SCREWS FOR ASSEMBLY |
| PN-1340-C   | POLYCARBONATE   |       | LIGHT GRAY | CLEAR |   |
| PN-1340-DG  | HIGH-IMPACT ABS |       | DARK GRAY  |       |   |