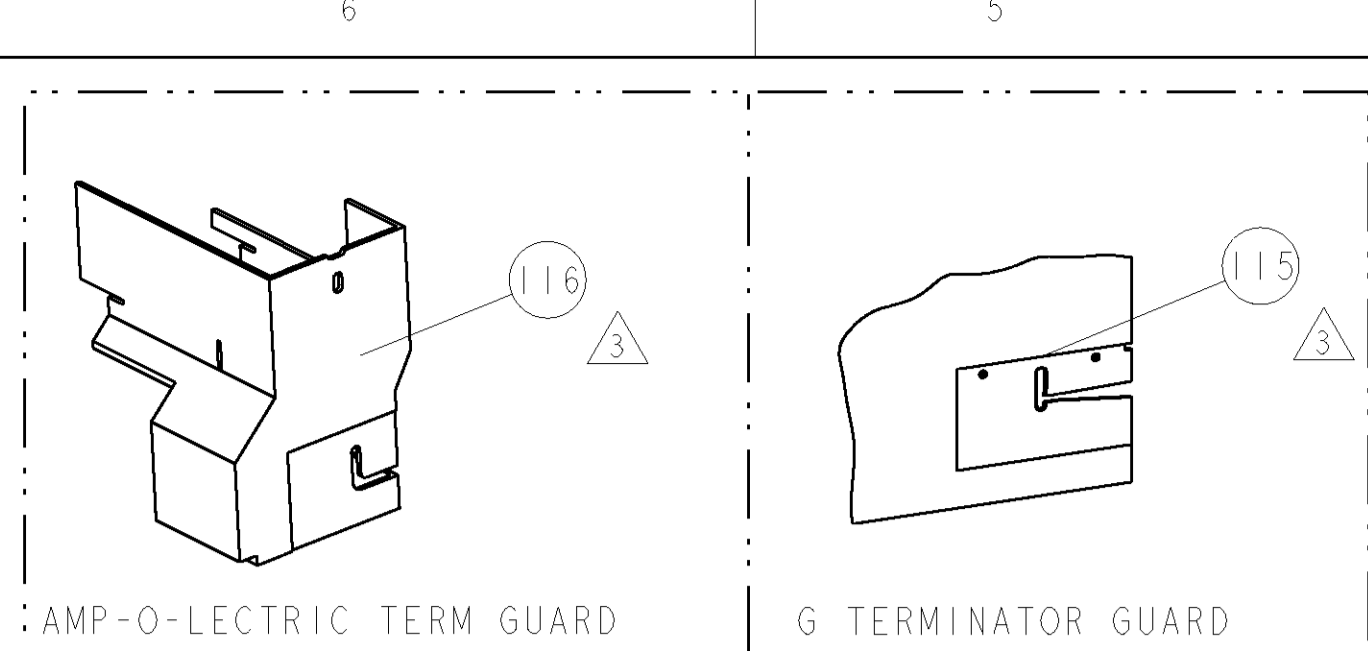


PART NUMBER	REV	FIRST USED	POWER UNIT	FEED TYPE	DESCRIPTION
1852373-1	A	122500-1	LEADMAKER	POST FEED	CUTS CARRIER
1852373-2	A	565435-5	BENCH MODEL K	PRE FEED	CUTS CARRIER
1852373-3	A	354500-1	BENCH MODEL G	PRE FEED	CUTS CARRIER
1852373-6	A	122500-1	LEADMAKER	POST FEED	CONTINUOUS CARRIER
7-1852373-7	A	-	-	-	SPARE PARTS



TERMINAL NAME: .250 SERIES AMPLIVAR TAB

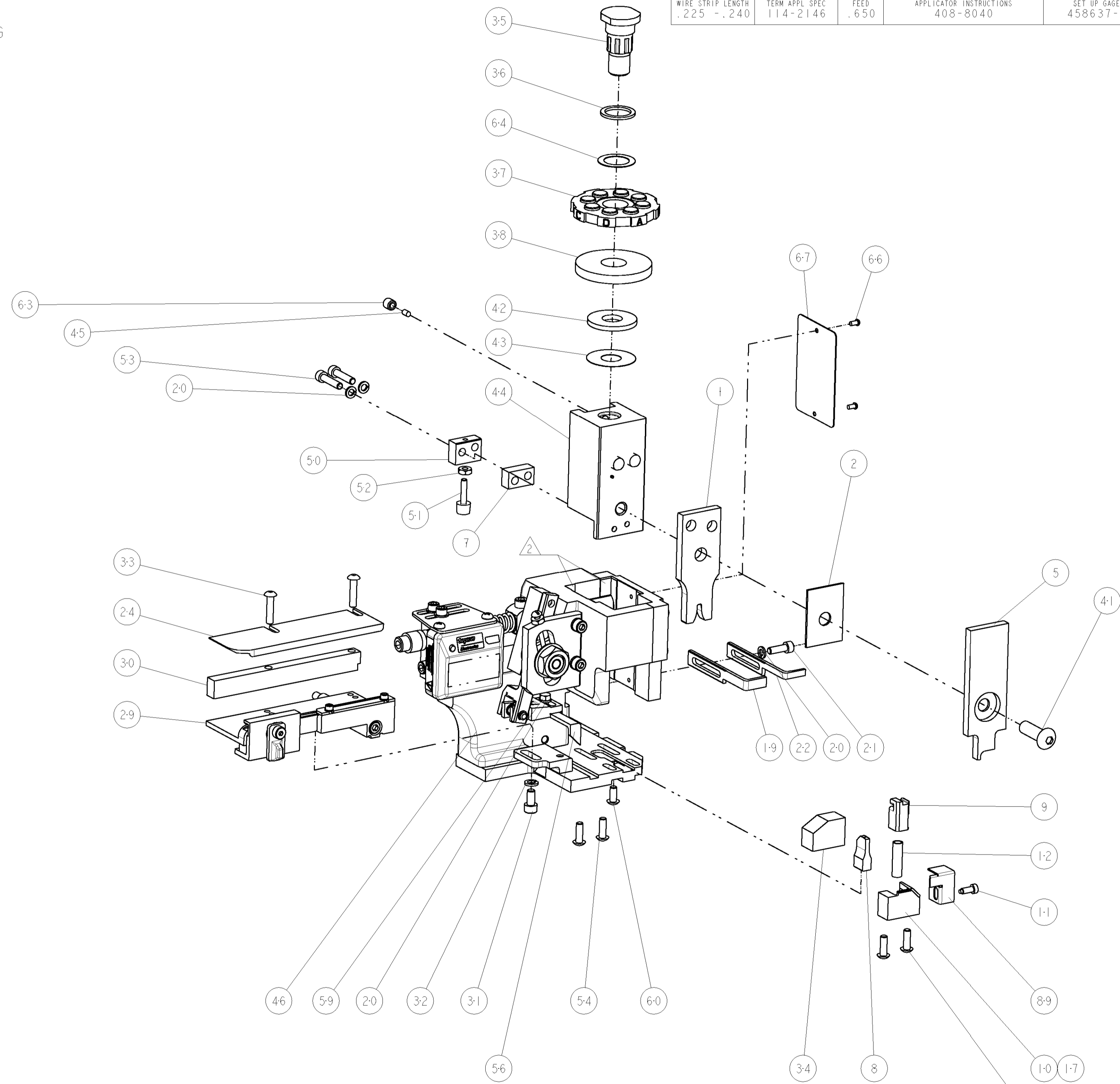
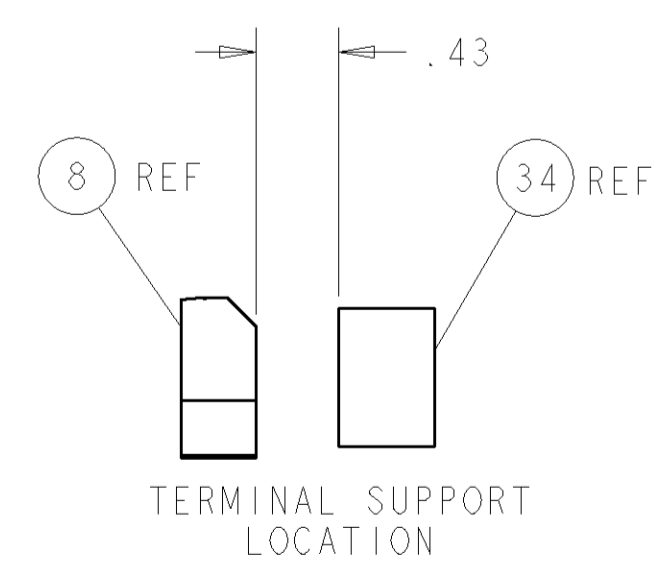
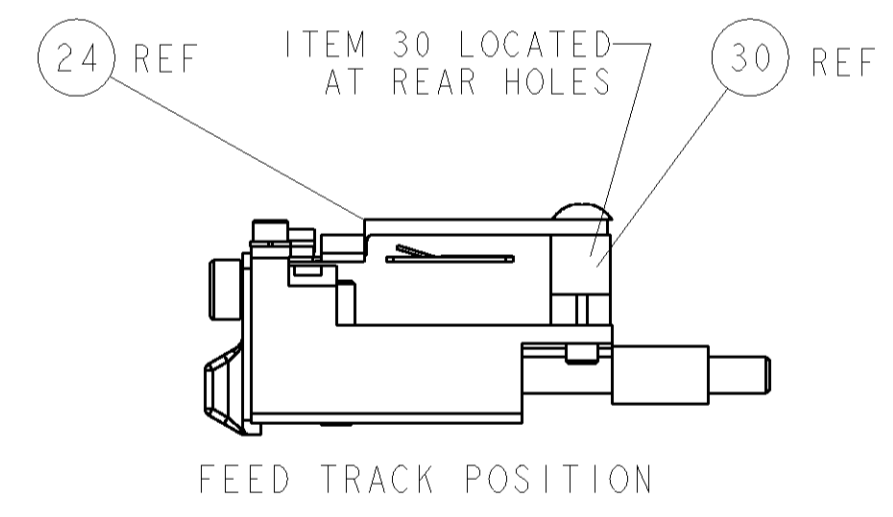
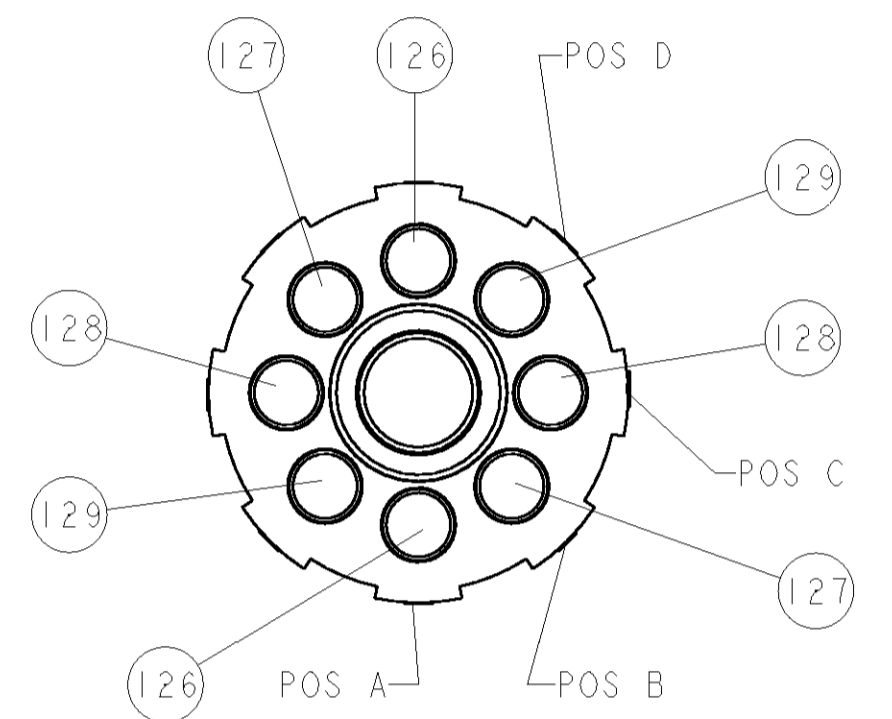
TYCO PN	AMP TERMINAL - AMP CRIMP SPECS
1742425	
	CRIMP HEIGHT
A	.073±.002 [1.85±0.05mm]
B	.070±.002 [1.78±0.05mm]
C	.068±.002 [1.73±0.05mm]
D	.066±.002 [1.68±0.05mm]
	CRIMP SIZE
	.110 [2.79mm]
	WIRE
	.110 [2.79mm]
	INSUL
	-
	TYPE
	F
	RANGE
	1200-3000 CMA
WIRE STRIP LENGTH	TERM APPL SPEC
.225 - .240	114-2146
FEED	APPLICATOR INSTRUCTIONS
.650	408-8040
	SET UP GAGE
	458637-1

LOC	DIST	REV	DESCRIPTION	DATE	BY	APPD
A	66		RELEASED	04JAN2007	MEH	TE

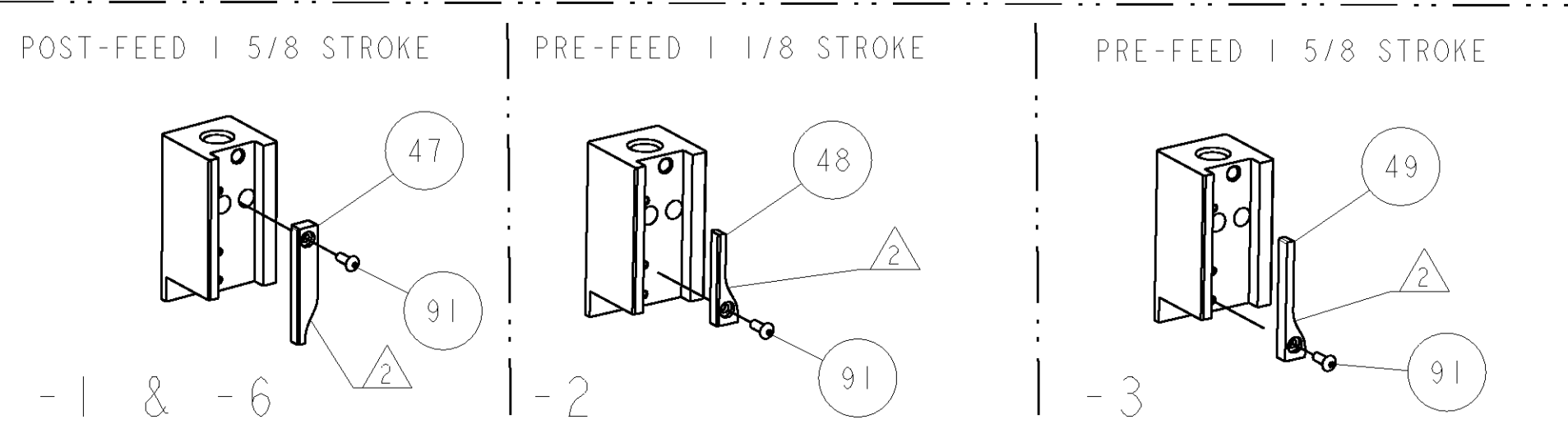
- △ RECOMMENDED SPARE PARTS
- △ GREASE LIGHTLY
- △ GUARD MUST BE IN PLACE WHEN OPERATING APPLICATOR IN A BENCH MACHINE

4. REFER TO TERMINAL CUSTOMER DRAWING FOR CRIMP HEIGHT CALCULATIONS.

- △ SET-UP WIRE SIZES:
- PAD-A: 1-16 MAG WIRE
- PAD-B: 1-17 MAG WIRE
- PAD-C: 1-18 MAG WIRE
- PAD-D: 1-19 MAG WIRE



-	2	2	2	2	-	354779-8	PIN, WIRE DISC, .3030	129
-	2	2	2	2	-	354779-2	PIN, WIRE DISC, .3000	128
-	2	2	2	2	-	354779-1	PIN, WIRE DISC, .2995	127
-	2	2	2	2	-	9-354778-3	PIN, WIRE DISC, .2960	126
-	-	-	REF	-	..	455749-1	GUARD WINDOW	116
-	-	REF	-	-	..	679532-1	INSERT, GUARD	115
-	1	1	1	1	-	1-21002-7	SCR, BTN SKT HD CAP 6-32 X .375	91
-	1	1	1	1	-	318563-1	GUARD, FRONT CHIP	89
-	1	1	1	1	-	4088040	SF APPL INST 408-8040	72
-	1	1	1	1	-	217238-1	GENERAL INSTRUCTION PKG	71
-	1	1	1	1	-	461264-1	PLATE, IDENTIFICATION	67
-	2	2	2	2	-	21017-2	SCREW, DRIVE	66
-	1	1	1	1	-	986950-1	WASHER, FLAT PRECISION	64
-	1	1	1	1	-	21009-2	SCR, SET, SELF LOCKING 1/4-20 X .250	63
-	1	1	1	1	-	22733-8	SCR, BHSC, SELF-LOCKING, 8-32 X .375	60
-	1	1	1	1	-	2-22603-0	SCR, HEX HD CAP 8-32 X .312	59
-	1	1	1	1	-	458537-2	PAWL, FEED	56
-	4	4	4	4	-	2-21002-2	SCR, BTN SKT HD CAP 8-32 X .500	54
-	2	2	2	2	-	2-21000-9	SCR, SKT HD CAP 8-32 X .750	53
-	1	1	1	1	-	21018-5	NUT, HEX, REG 6-32	52
-	1	1	1	1	-	811242-2	BUMPER, HOLD DOWN	51
-	1	1	1	1	-	690753-1	SPACER, TONKER	50
-	-	-	-	-	..	690602-6	CAM, PRE FEED, 1 5/8	49
-	-	-	-	-	..	690602-5	CAM, PRE FEED, 1 1/8	48
-	-	-	-	-	..	690501-4	CAM, POST FEED, 1 5/8	47
-	1	1	1	1	-	459456-1	APPL. BASIC SUB ASSY (SIDE WISE MOCA)	46
-	1	1	1	1	-	690191-1	PLUG, NYLON	45
-	1	1	1	1	-	455673-5	RAM, SIDE FEED	44
-	1	1	1	1	-	690125-1	SHIM SUB-ASSY	43
-	1	1	1	1	-	690124-1	WASHER, RAM (.115)	42
-	1	1	1	1	-	7-21002-9	SCR, BTN SKT HD CAP 5/16-24 X 1.00	41
-	1	1	1	1	-	690223-2	SPACER, INS.	38
-	1	1	1	1	-	354777-1	WIRE DISC, ASSEMBLY	37
-	1	1	1	1	-	22480-5	SPRING, COMPRESSION	36
-	1	1	1	1	-	690212-1	POST, RAM	35
-	1	1	1	1	-	690786-4	TERMINAL SUPPORT	34
-	2	2	2	2	-	2-21002-4	SCR, BTN SKT HD CAP 8-32 X .750	33
-	1	1	1	1	-	21024-5	WASHER, SPRG LOCK, REG NO 10	32
-	1	1	1	1	-	3-21000-4	SCR, SKT HD CAP 10-32 X .375	31
-	1	1	1	1	-	1320908-4	SPACER, STRIP GUIDE	30
-	1	1	1	1	-	1633091-1	ASSEMBLY, STRIP GUIDE	29
-	1	1	1	1	-	1320928-1	PLATE, STRIP GUIDE	24
-	1	-	-	-	-	690472-2	STRIPPER	22
-	1	1	1	1	-	2-21000-7	SCR, SKT HD CAP 8-32 X .500	21
-	4	4	4	4	-	21024-4	WASHER, SPRG LOCK, REG NO 8	20
-	-	-	-	-	-	690472-1	STRIPPER	19
-	1	-	-	-	-	679625-1	SHEAR HOLDER, FRONT (NO CUT)	17
-	1	1	1	1	-	3-22280-3	SPRING, COMPRESSION	12
-	1	1	1	1	-	690461-1	STOP, SHEAR	11
-	-	-	-	-	-	690459-1	SHEAR HOLDER, FRONT	10
-	1	1	1	1	-	454276-1	FLOATING SHEAR, FRONT	9
1	1	1	1	1	-	1633359-2	ANVIL, AMPLIVAR	8
-	1	1	1	1	-	6-240641-8	SPACER	7
-	1	1	1	1	-	2-455889-0	DEPRESSOR, SHEAR	5
-	1	1	1	1	-	1-455888-0	SPACER, CRIMPER	2
1	1	1	1	1	-	4-1673600-6	CRIMPER, WIRE	1



INCHES	TOLERANCES UNLESS OTHERWISE SPECIFIED:	APPROVED	DATE	DESCRIPTION	ITEM NO
0 PLC	± .001	DRN	30NOV2006	tyco	
1 PLC	± .01	CHK	30NOV2006	Electronics	
2 PLC	± .01	ELB	30NOV2006	Tyco Electronics	
3 PLC	± .001	ELB	30NOV2006	Harrisburg, PA 17105-3608	
4 PLC	± .001	APVD	30NOV2006		
ANGLES	± .0001	NAME		SIDE FEED HDM APPLICATOR	
FINISH		PRODUCT SPEC			
		APPLICATION SPEC			
		SIZE			
		SCALE			
		WEIGHT			
		CUSTOMER DRAWING			

CUSTOMER VIEWABLE ASSEMBLY