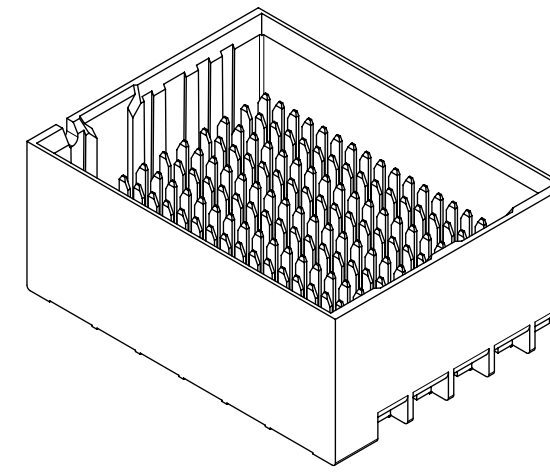


- NOTES:
1. MATERIALS: HOUSING - LIQUID CRYSTAL POLYMER (LCP)
GLASS-FILLED, UL94V-0
TERMINALS - HIGH PERFORMANCE COPPER ALLOY
 2. FINISH: 30μ IN MIN. GOLD IN CONTACT AREA, ELECTIVE MATTE TIN
ON PCB TAILS, NICKEL OVERALL.
 3. REFER TO MOLEX PRODUCT SPECIFICATION PS-170540-999
FOR PERFORMANCE SPECIFICATIONS AND ADDITIONAL PCB INFORMATION.
 4. THIS PART CONFORMS TO CLASS B REQUIREMENTS OF
MOLEX COSMETIC SPEC PS-45499-002.
 5. PARTS PACKAGED PER PK-70873-7703.
 6. SEE SHEETS 2 & 3 FOR PART NUMBERS AND BOARD RELATIONSHIPS.
 7. MINIMUM CIRCUIT BOARD THICKNESS: 1.0mm
 8. REFER TO MOLEX PCB ROUTING GUIDE AS-76060-990 FOR ANTIPAD AND
ROUTING RECOMMENDATIONS.
 9. "THESE DIMENSIONS REPRESENT THE AREA NEEDED TO ACCOMMODATE
CONNECTOR INSERTION AND REPAIR ON THE PC BOARD. THIS IS REFERRED
TO AS THE "CONNECTOR KEEP OUT ZONE" AND DOES NOT REPRESENT THE
ACTUAL PERIMETER OF THE CONNECTOR. WHEN LAYING OUT A PC BOARD FOR
CONNECTORS STACK TOGETHER, USE A 1.9mm PROGRESSION."

THIS DRAWING CONTAINS INFORMATION THAT IS PROPRIETARY TO MOLEX ELECTRONIC TECHNOLOGIES, LLC AND SHOULD NOT BE USED WITHOUT WRITTEN PERMISSION															
MIGRATED TO NX EC NO: 168852 DRWN: ABABU01 CHKD: CD REV / APPR: GGA	2017/10/12 2017/11/30 2017/12/01		GENERAL TOLERANCES (UNLESS SPECIFIED)			DIMENSION UNITS: MM		SCALE: 4:1							
	ANGULAR TOL ± 2.0 °			DRWN BY: JBINGHAM		DATE: 2010/09/24		IMPACT 6-PAIR 85-OHM UNGUIDED BACKPLANE SALES ASSEMBLY DRAWING							
	4 PLACES ±		CHKD BY: JLAURX		DATE: 2010/09/24		PRODUCT CUSTOMER DRAWING								
	3 PLACES ±		APPR BY: JLAURX		DATE: 2013/02/07					SERIES: 170535 MATERIAL NUMBER: SEE CHART CUSTOMER: GENERAL MARKET					
2 PLACES ± 0.13		DRAWING SIZE: C		THIRD ANGLE PROJECTION		DOCUMENT NUMBER: SD-170535-0001			DOC TYPE: PSD		DOC PART: 001		SHEET NUMBER: 1 OF 3		
1 PLACE ± 0.25		DRAFT WHERE APPLICABLE MUST REMAIN WITHIN DIMENSIONS													
0 PLACES ±															

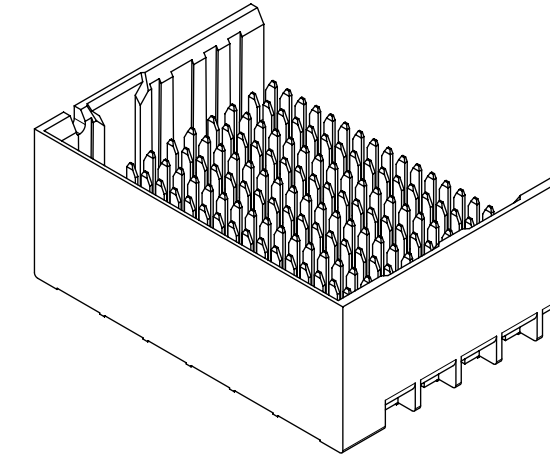
PART NUMBER CHART

MATERIAL NUMBER	# OF COLUMNS	# OF DIFF. PAIR	DIM. A	DIM. B	DUAL END WALL OPTION
170535-182*	8	48	17.9	13.30	
170535-112*	10	60	21.7	17.10	
170535-142*	14	84	29.3	24.70	
170535-162*	16	96	33.1	28.50	



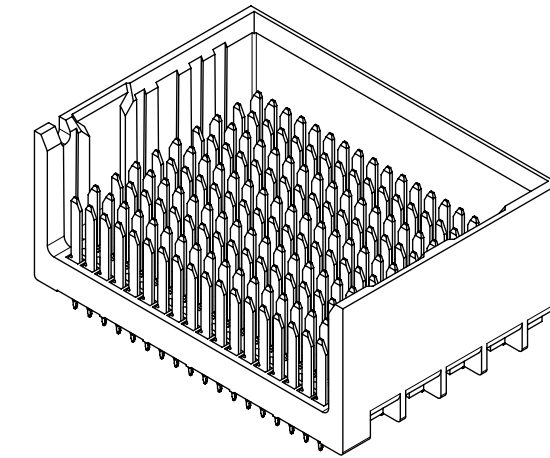
DUAL END
WALL OPTION

MATERIAL NUMBER	# OF COLUMNS	# OF DIFF. PAIR	DIM. A	DIM. B	LEFT END WALL OPTION
170535-181*	8	48	16.5	13.30	
170535-111*	10	60	20.3	17.10	
170535-141*	14	84	27.9	24.70	
170535-161*	16	96	31.7	28.50	



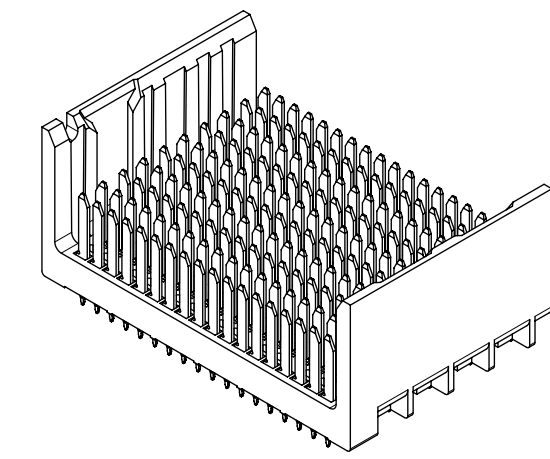
LEFT END
WALL OPTION

MATERIAL NUMBER	# OF COLUMNS	# OF DIFF. PAIR	DIM. A	DIM. B	RIGHT END WALL OPTION
170535-183*	8	48	16.5	13.30	
170535-113*	10	60	20.3	17.10	
170535-143*	14	84	27.9	24.70	
170535-163*	16	96	31.7	28.50	



RIGHT END
WALL OPTION

MATERIAL NUMBER	# OF COLUMNS	# OF DIFF. PAIR	DIM. A	DIM. B	OPEN WALL OPTION
170535-180*	8	48	15.1	13.30	
170535-110*	10	60	18.9	17.10	
170535-140*	14	84	26.5	24.70	
170535-160*	16	96	30.3	28.50	



OPEN
WALL OPTION

PART NUMBER LOGIC

170535-****

MODULE TYPE
1 = UNGUIDED, MATTE TIN

OF COLUMNS
8 = 8 COLUMN
1 = 10 COLUMN
4 = 14 COLUMN
6 = 16 COLUMN

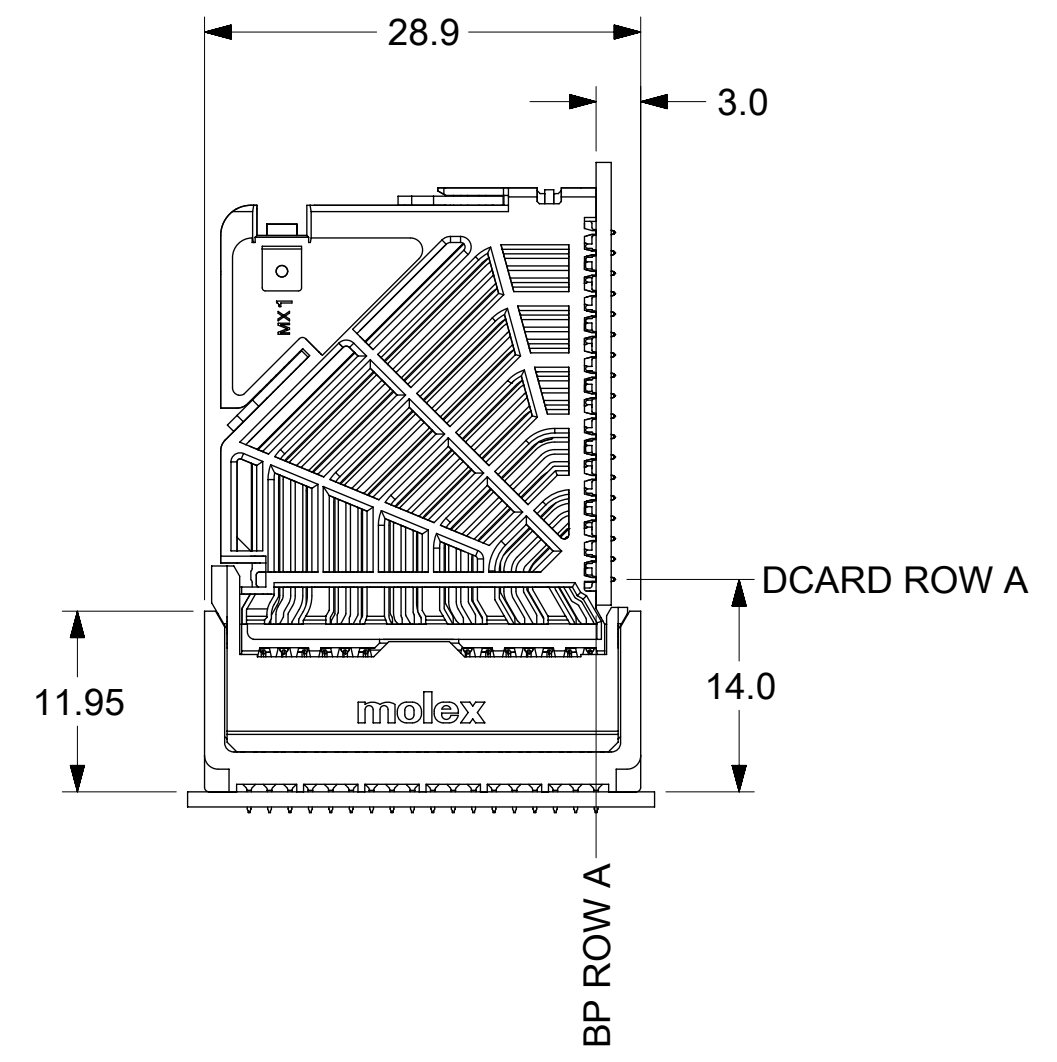
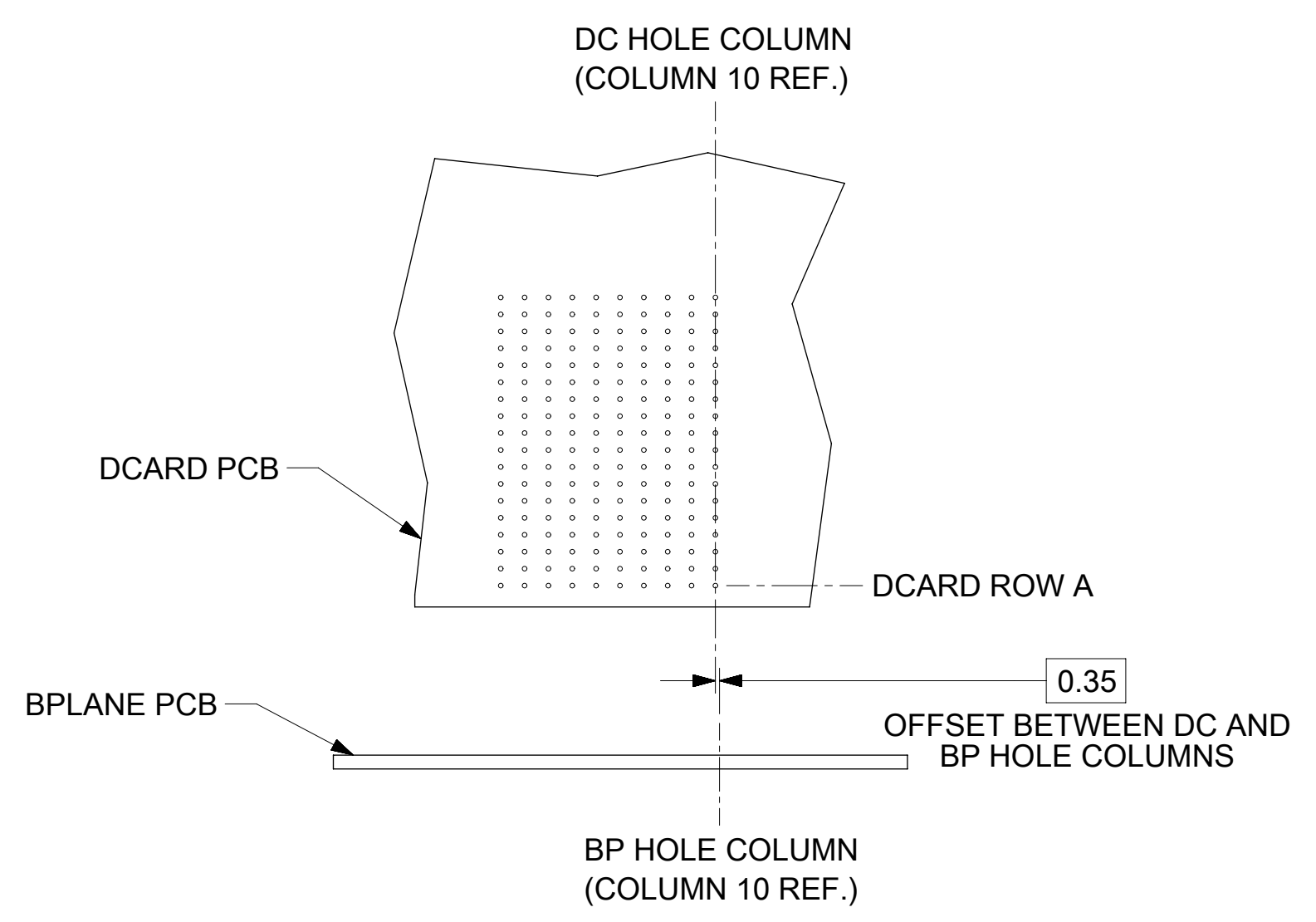
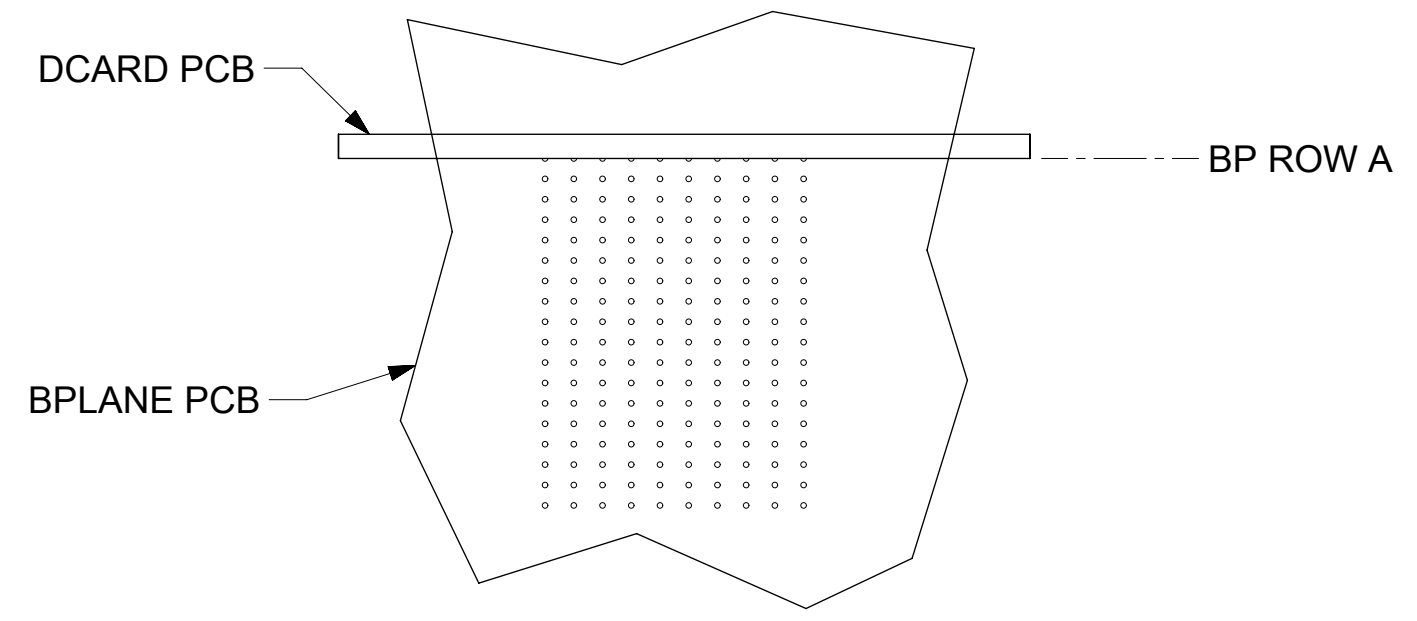
P = PIN LENGTH
3 = 4.50 (SHORT COMPLIANT, 0.46±0.05 PTH)
4 = 4.90 (SHORT COMPLIANT, 0.46±0.05 PTH)
5 = 5.50 (SHORT COMPLIANT, 0.46±0.05 PTH)
6 = 4.50 (MICRO COMPLIANT, 0.39±0.05 PTH)
7 = 4.90 (MICRO COMPLIANT, 0.39±0.05 PTH)
8 = 5.50 (MICRO COMPLIANT, 0.39±0.05 PTH)

END WALL OPTIONS
0 = OPEN ENDS
1 = LEFT END WALL
2 = DUAL END WALL
3 = RIGHT END WALL

THIS DRAWING CONTAINS INFORMATION THAT IS PROPRIETARY TO MOLEX ELECTRONIC TECHNOLOGIES, LLC AND SHOULD NOT BE USED WITHOUT WRITTEN PERMISSION

MIGRATED TO NX EC NO: 168852 DRWN: ABABU01 CHKD: CD REV: APPR: GGA	2017/10/12	2017/11/30	2017/12/01	GENERAL TOLERANCES (UNLESS SPECIFIED)	DIMENSION UNITS: MM	SCALE: 2:1			
	ANGULAR TOL ± 2.0 °			4 PLACES ±	DRWN BY: JBINGHAM	DATE: 2010/09/24		IMPACT 6-PAIR 85-OHM UNGUIDED BACKPLANE SALES ASSEMBLY DRAWING	
	3 PLACES ±			2 PLACES ± 0.13	CHKD BY: JLAURX	DATE: 2010/09/24			
	1 PLACE ± 0.25			0 PLACES ±	APPR BY: JLAURX	DATE: 2013/02/07		PRODUCT CUSTOMER DRAWING	
DRAFT WHERE APPLICABLE MUST REMAIN WITHIN DIMENSIONS				DRAWING SIZE: C	THIRD ANGLE PROJECTION	SERIES: 170535	MATERIAL NUMBER: SEE CHART	CUSTOMER: GENERAL MARKET	
						DOCUMENT NUMBER: SD-170535-0001	DOC TYPE: PSD	DOC PART: 001	SHEET NUMBER: 2 OF 3

IMPACT 6 PAIR BOARD RELATIONSHIPS



THIS DRAWING CONTAINS INFORMATION THAT IS PROPRIETARY TO MOLEX ELECTRONIC TECHNOLOGIES, LLC AND SHOULD NOT BE USED WITHOUT WRITTEN PERMISSION											
MIGRATED TO NX	EC NO: 168852	2017/10/12	GENERAL TOLERANCES (UNLESS SPECIFIED)		DIMENSION UNITS	SCALE	molex				
	DRWN: ABABU01	2017/11/30	ANGULAR TOL ± 2.0 °		MM	2:1					
	CHKD: CD	2017/12/01	4 PLACES ±	DRWN BY	DATE		IMPACT 6-PAIR 85-OHM UNGUIDED BACKPLANE SALES ASSEMBLY DRAWING				
	REV / APPR: GGA		3 PLACES ±	JBINGHAM	2010/09/24						
			2 PLACES ± 0.13	CHKD BY	DATE		PRODUCT CUSTOMER DRAWING				
			1 PLACE ± 0.25	JLAURX	2010/09/24						
		0 PLACES ±	APPR BY	DATE		SERIES	MATERIAL NUMBER	CUSTOMER			
		DRAFT WHERE APPLICABLE MUST REMAIN WITHIN DIMENSIONS	JLAURX	2013/02/07		170535	SEE CHART	GENERAL MARKET			
E1			DRAWING SIZE	THIRD ANGLE PROJECTION		DOCUMENT NUMBER		PSD	DOC PART	SHEET NUMBER	
			C			SD-170535-0001			001	3 OF 3	