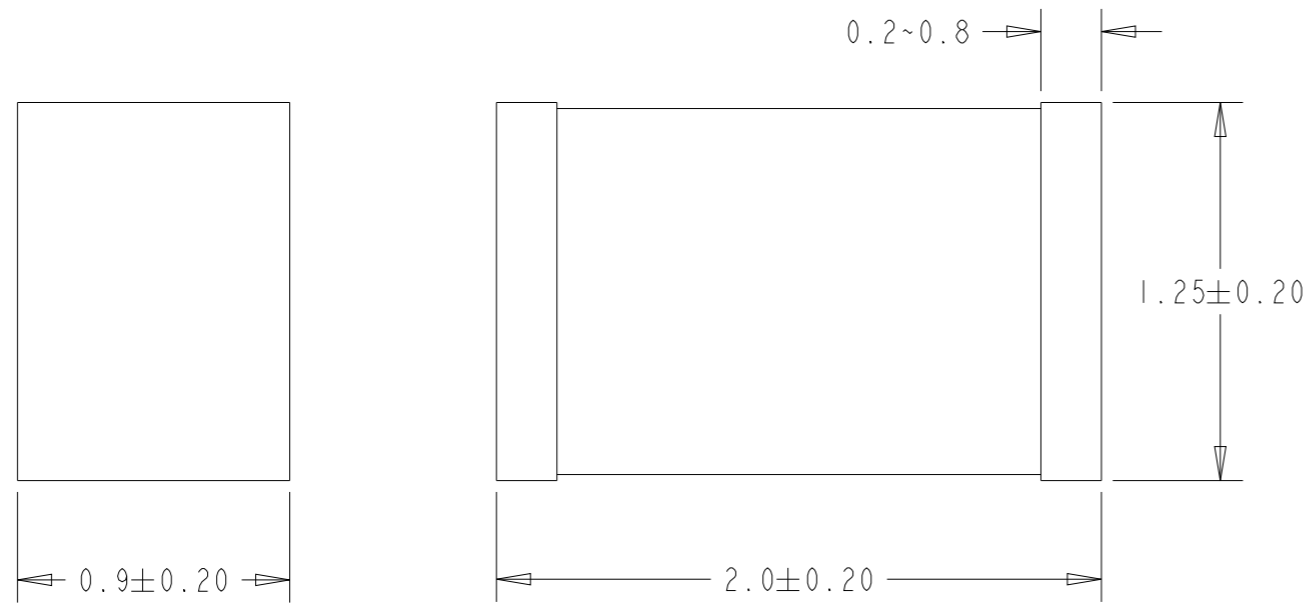
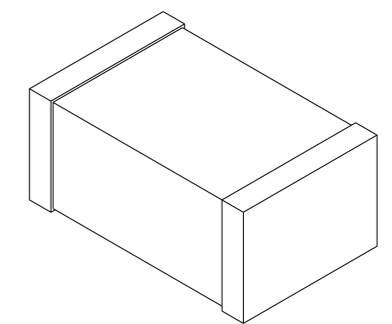


P	LTR	DESCRIPTION	DATE	DWN	APVD
	A	INITIAL RELEASE	03MAR2022	DM	AP
	A1	SCHEDULE UPDATED	13APR2022	DM	AP



FOR FURTHER INFORMATION SEE DATA SHEET OF BMC SERIES

Complete TIN	Product Number	Material Description
2176486-1	BMC2AY1000AN	BMC 0805 1K0 25% A Gen C
2176486-2	BMC2AY0120AN	BMC 0805 120R 25% A Gen C
2176486-3	BMC2AY0220AN	BMC 0805 220R 25% A Gen C
2176486-4	BMC2AY0300AN	BMC 0805 300R 25% A Gen C
2176486-5	BMC2AY0600AN	BMC 0805 600R 25% A Gen C
2176486-6	BMC2AY0017AN	BMC 0805 17R 25% A Gen C
2176486-7	BMC2AY0026AN	BMC 0805 26R 25% A Gen C
2176486-8	BMC2AY0030AN	BMC 0805 30R 25% A Gen C
2176486-9	BMC2AY0031AN	BMC 0805 31R 25% A Gen C
1-2176486-0	BMC2AY0052AN	BMC 0805 52R 25% A Gen C
1-2176486-1	BMC2AY0060AN	BMC 0805 60R 25% A Gen C
1-2176486-2	BMC2AY0080AN	BMC 0805 80R 25% A Gen C
1-2176486-3	BMC2AY0100AN	BMC 0805 100R 25% A Gen C
1-2176486-4	BMC2AY0150AN	BMC 0805 150R 25% A Gen C
1-2176486-5	BMC2AY0400AN	BMC 0805 400R 25% A Gen C
1-2176486-6	BMC2AY0470AN	BMC 0805 470R 25% A Gen C
1-2176486-7	BMC2AY0530AN	BMC 0805 530R 25% A Gen C
1-2176486-8	BMC2AY1500AN	BMC 0805 1K5 25% A Gen C



SCALE 20:1

THIS DRAWING IS A CONTROLLED DOCUMENT.		DWN DHEERAJ M 03MAR2022		
		CHK ALLAN P 03MAR2022		
DIMENSIONS: mm		APVD ALLAN P 03MAR2022	NAME Multilayer Ferrite Beads Type BMC0805 AN configuration	
		PRODUCT SPEC -	APPLICATION SPEC -	
TOLERANCES UNLESS OTHERWISE SPECIFIED: 0 PLC ±- 1 PLC ±0.5 2 PLC ±0.13 3 PLC ±0.013 4 PLC ±0.0001 ANGLES ±-		WEIGHT -	SIZE A3	CAGE CODE 00779
MATERIAL -		FINISH -	DRAWING NO C-2176486	RESTRICTED TO -
		CUSTOMER DRAWING	SCALE 40:1	SHEET 1 OF 1
				REV A1