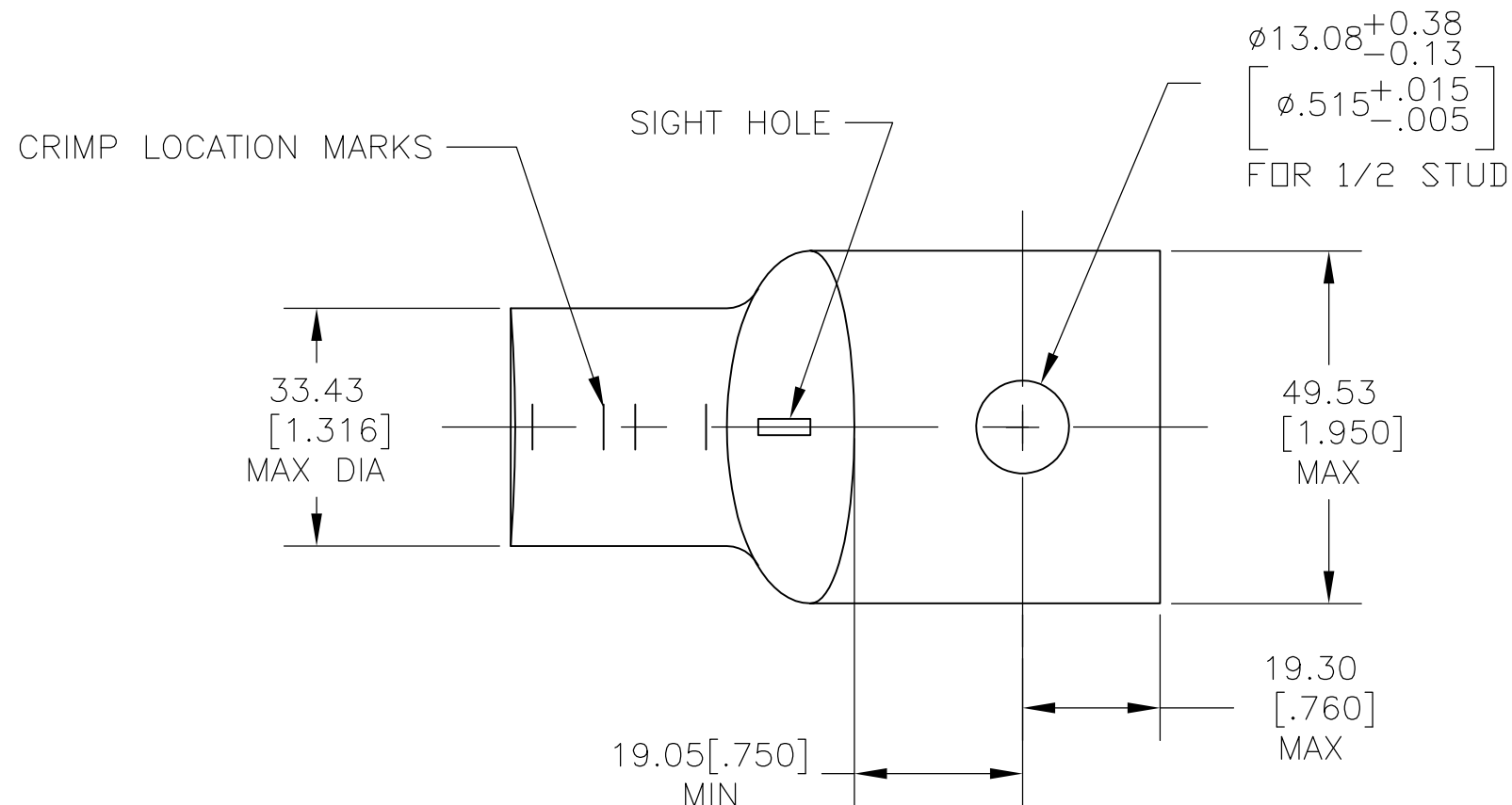
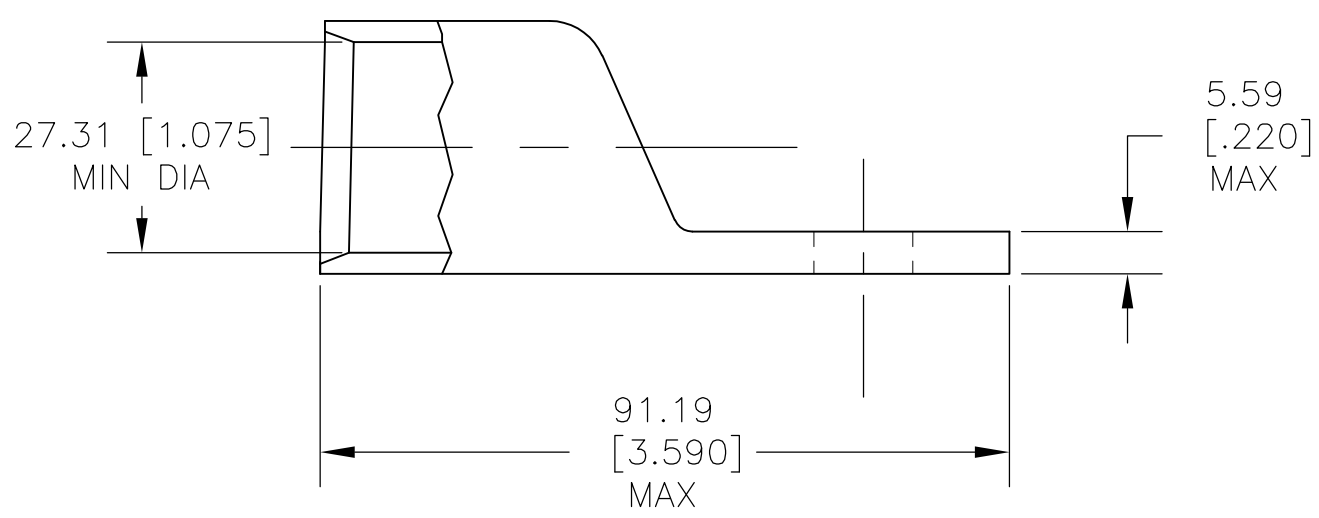


THIS DRAWING IS UNPUBLISHED. RELEASED FOR PUBLICATION
 © COPYRIGHT BY TYCO ELECTRONICS CORPORATION. ALL RIGHTS RESERVED.

LOC	DIST	REVISIONS					
		P	LTR	DESCRIPTION	DATE	DWN	APVD
G	86		A	REL PER ECR 09-022677	20OCT09	JR	RL



- 1 CIRCULAR MIL RANGE IS 550-650 MCM
- 2 COPPER PER ASTM B-75, ANNEALED



1958299-1
 PART NO

THIS DRAWING IS A CONTROLLED DOCUMENT.		DWN jr_ruth 30MAR09	Tyco Electronics Corporation Harrisburg, PA 17105-3608	
DIMENSIONS: MM [INCHES]		CHK RAY LANDON 30MAR09	NAME	
TOLERANCES UNLESS OTHERWISE SPECIFIED:		APVD RAY LANDON 30MAR09	TERMINAL, AMPPOWER WIRE SIZE : 600 MCM	
<ul style="list-style-type: none"> 0 PLC ± - 1 PLC ± - 2 PLC ± 0.25 [.010] 3 PLC ± - 4 PLC ± - ANGLES ± 5° 		PRODUCT SPEC -	RESTRICTED TO	
MATERIAL		APPLICATION SPEC -	SIZE A3	CAGE CODE 00779
FINISH TIN PLATED		WEIGHT -	DRAWING NO G-1958299	SCALE 1:1
		CUSTOMER DRAWING		SHEET 1 OF 1
				REV A