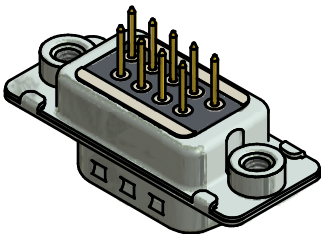
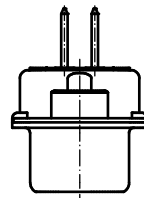
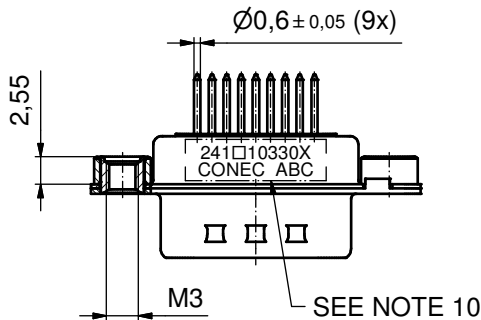
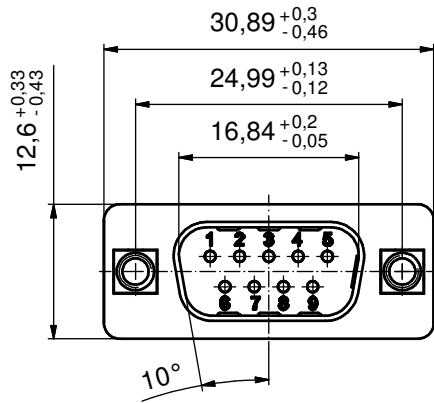
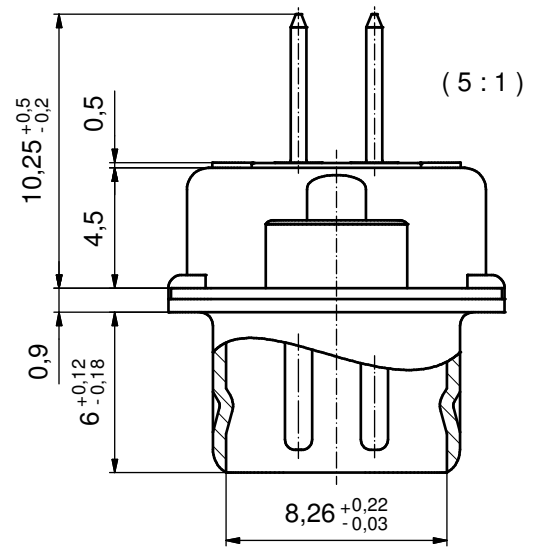


P.C.B. HOLE DRILLINGS
(P.C.B. TOP SIDE)



NOTES:

- FOR WAVESOLDERING (SOLDER BATH TEMPERATURE 260°C FOR 5 SEC. AND SOLDER PREHEAT 100°C FOR 30SEC.)
- METALSHELLS: STEEL; min. 315µm TIN over 40-80µm NICKEL
- INSULATOR: HIGH TEMPERATURE PLASTIC UL 94 V-0; BLACK
- CONTACTS: COPPER ALLOY; PLATING (SEE PART NO.):
 - PLEASE ADD A for GOLD FLASH over min. 50µm NICKEL (PREFERRED TYPE)
 - PLEASE ADD B for 20µm HARD GOLD over min. 50µm NICKEL
 - PLEASE ADD C for 30µm HARD GOLD over min. 50µm NICKEL
- THREADED INSERTS: COPPER ALLOY; min. 200µm TIN over 80µm NICKEL
- COLLARS: COPPER ALLOY; min. 200µm TIN over 80µm NICKEL
- CAPACITANCE: 830pF ±20%
- DIELECTRIC WITHSTANDING VOLTAGE: 424 VDC
- MAXIMUM TORQUE VALUE FOR THREAD : 6 in.LB
- CONNECTOR IS PART MARKED: 241□10330X CONEC ABC (see note 4)

Directive 2002/95/EC RoHS compliant

THIS DRAWING MAY NOT BE COPIED OR REPRODUCED IN ANY WAY, AND MAY NOT BE PASSED ON TO A THIRD PARTY WITHOUT WRITTEN PERMISSION. OWNERSHIP AND COPYRIGHT OF CONEC GmbH

DO NOT ALTER CAD DRAWING BY HAND

| | | | | |
|----------------|-------------|------|--|----------------------------------|
| tolerance | | | scale: 2:1 (5:1) | |
| dim. in mm | | | material: SEE NOTES | |
| date | name | | title: | |
| drawn 15.11.13 | Henneboel | | D-SUB C-FILTER MALE 9pos. SOLDER PIN STRAIGHT with threaded insert | |
| appd. 18.11.13 | Schmidt | | | |
| norm | | | | |
| d-old | | | | |
| rev. a | Original | | | dwg no: 24K1A1481 |
| rev. | description | date | name | part no: 241□10330X (see note 4) |

| | | |
|--|--|--------|
| title: | | DIN-A3 |
| D-SUB C-FILTER MALE 9pos. SOLDER PIN STRAIGHT with threaded insert | | sh: 1 |
| dwg no: 24K1A1481 | | |
| part no: 241□10330X (see note 4) | | |