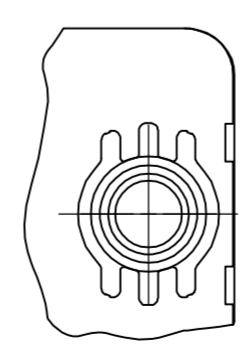
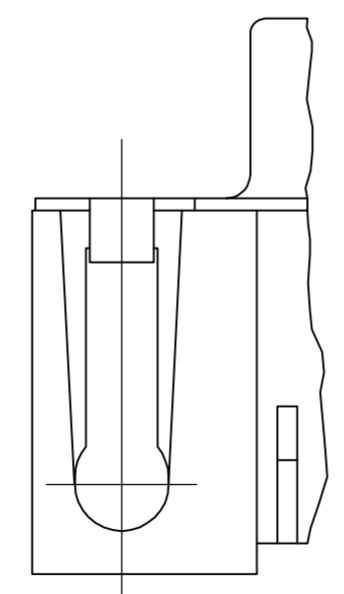
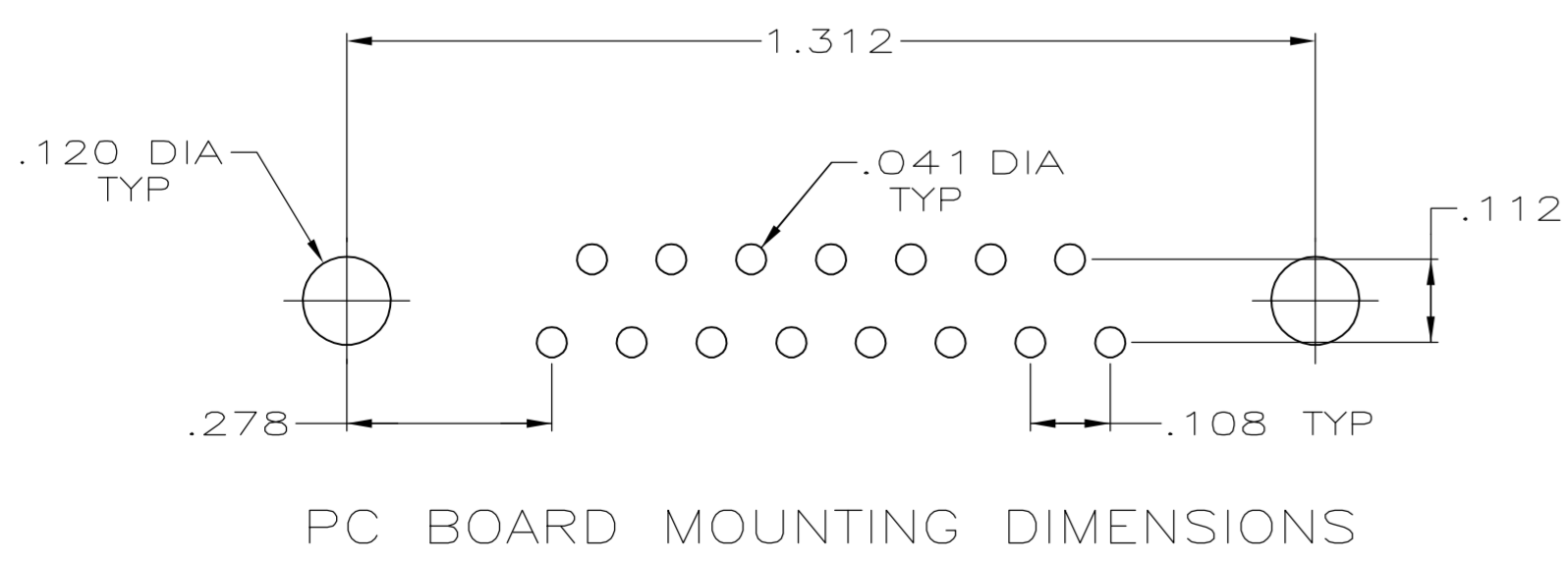
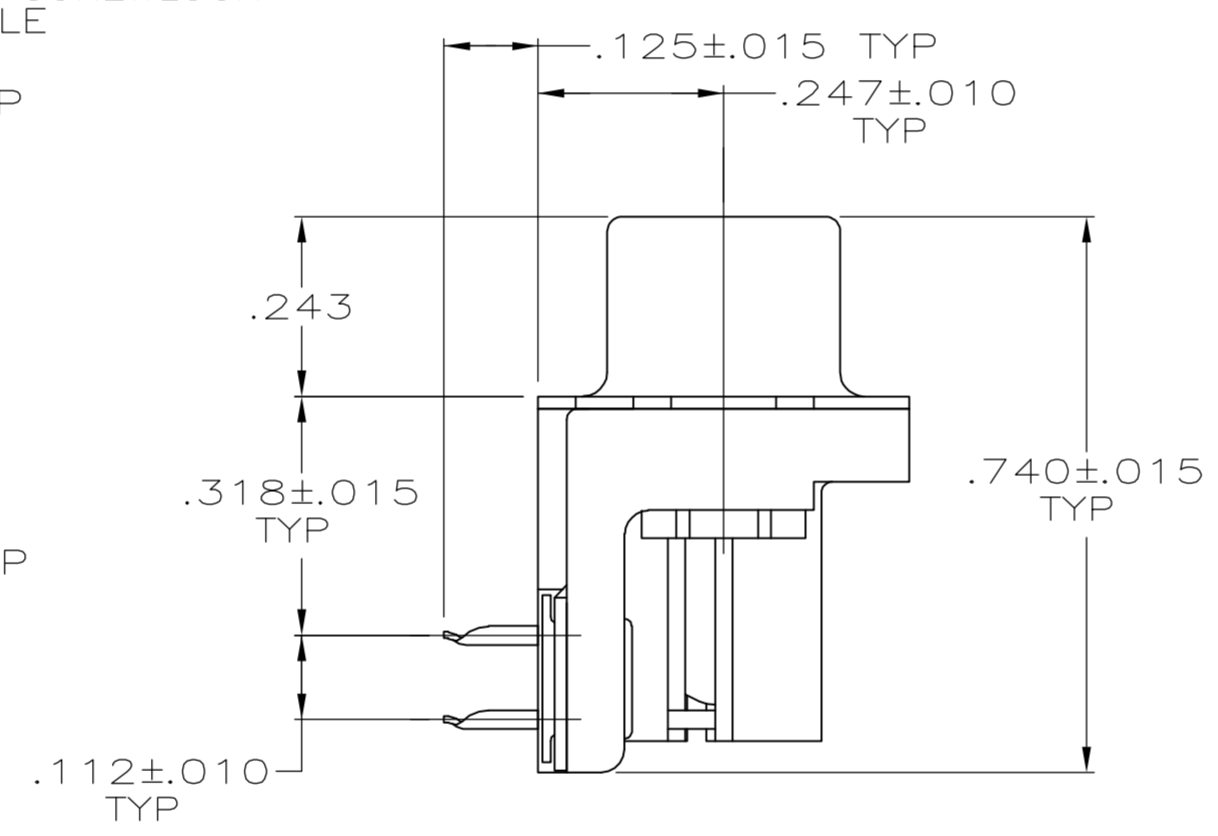
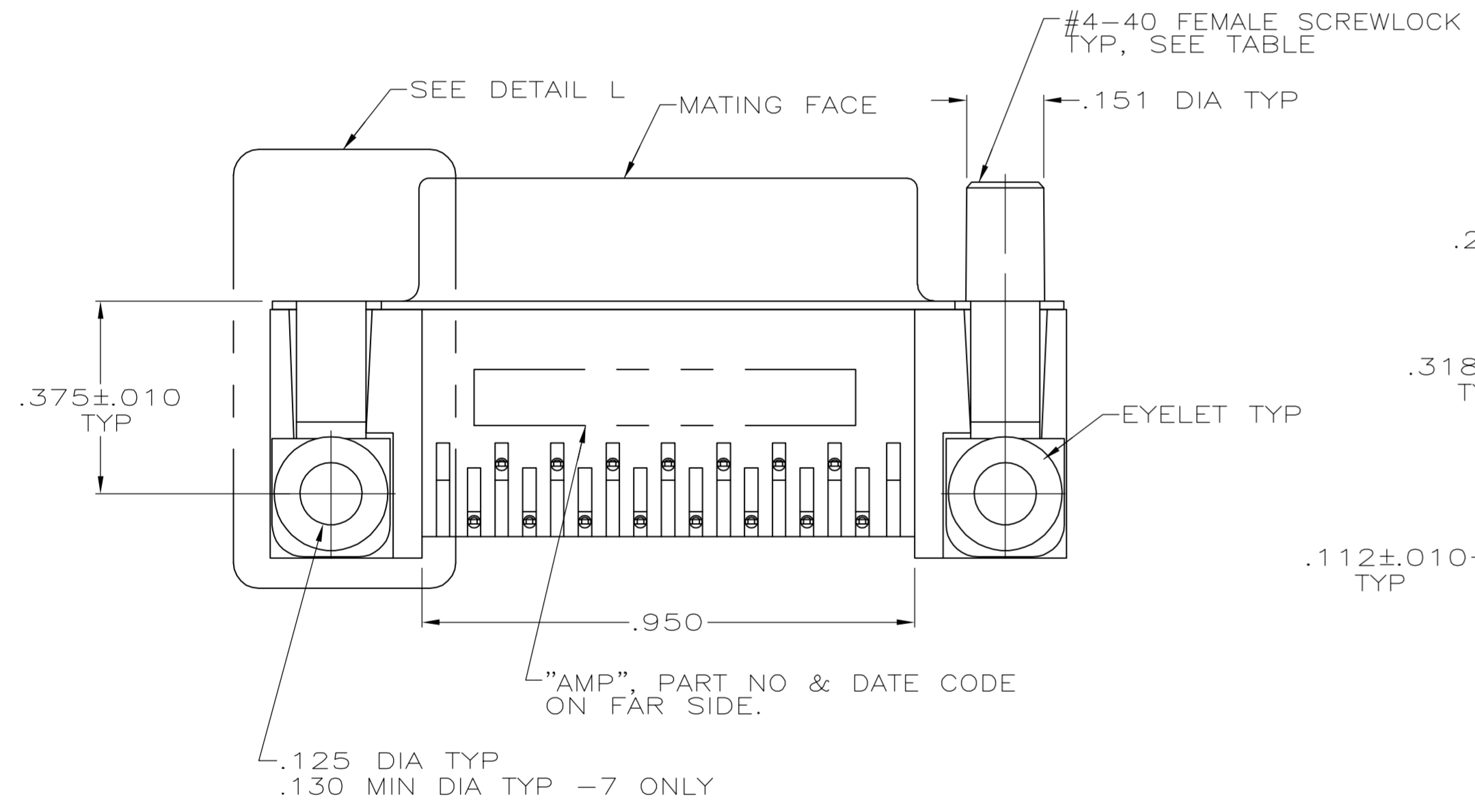


- CONNECTOR MATES WITH ANY 15 POSN PLUG IN AMPLIMITE™ SERIES & COMPLIES WITH AMP SPEC 108-40005 WHERE APPLICABLE.
- MOLDED PARTS: FLAME RETARDANT 94V-0 RATED THERMOPLASTIC, BLACK.  
SHELL: STEEL PER ASTM A109  
CONTACTS: PHOSPHOR BRONZE PER QQ-B-750  
EYELETS: BRASS  
SCREWLOCKS: ZINC  
INSERTS: ZINC
- SHELL: TIN PLATED  
CONTACTS: SEE TABLE  
EYELETS: TIN PLATED  
SCREWLOCKS: CLEAR CHROMATE  
INSERTS: CLEAR CHROMATE
- GOLD PLATING PER MIL-G-45204, NICKEL PLATING PER QQ-N-290, TIN PER MIL-T-10727.
- GOLD FLASH FOR A DISTANCE OF .100 MIN FROM MATING END, TIN PLATED .000100-.000200 ON OPPOSITE END, ALL OVER .000050 NICKEL.
- .000030 GOLD FOR A DISTANCE OF .100 MIN FROM MATING END, TIN PLATED .000100-.000200 ON OPPOSITE END, ALL OVER .000050 NICKEL.
- .000015 MIN GOLD FOR A DISTANCE OF .100 MIN FROM MATING END, TIN PLATED .000100-.000200 ON OPPOSITE END, ALL OVER .000030 NICKEL.
- SCREWLOCKS REQUIRED FOR 1--5 CONNECTOR ASSEMBLIES WILL BE BULK PACKED & SHIPPED WITH CONNECTORS.



| SUPSD BY            | TUBE      |                   |                            |                | PART NUMBER |
|---------------------|-----------|-------------------|----------------------------|----------------|-------------|
| SUPSD BY 745782-2   |           | NONE              | GROUNDING STRAPS           | 5              | 1-745782-6  |
|                     | OBSOLETE  | THREADED INSERTS  | GROUNDING STRAPS           | 6              | 1-745782-5  |
|                     | OBSOLETE  | FEMALE SCREWLOCKS | CLINCH TABS (SEE DETAIL L) | 6              | 1-745782-4  |
|                     | OBSOLETE  | FEMALE SCREWLOCKS | CLINCH TABS (SEE DETAIL L) | 5              | 1-745782-3  |
|                     | OBSOLETE  | THREADED INSERTS  | CLINCH TABS (SEE DETAIL L) | 6              | 1-745782-2  |
| SUPSD BY 1-745782-2 |           | THREADED INSERTS  | CLINCH TABS (SEE DETAIL L) | 5              | 1-745782-1  |
|                     | OBSOLETE  | .125 DIA HOLE     | CLINCH TABS (SEE DETAIL L) | 6              | 1-745782-0  |
|                     | OBSOLETE  | .125 DIA HOLE     | CLINCH TABS (SEE DETAIL L) | 5              | 745782-9    |
|                     | OBSOLETE  | NONE              | GROUNDING STRAPS           | 7              | 745782-8    |
|                     | OBSOLETE  | FEMALE SCREWLOCKS | GROUNDING STRAPS           | 7              | 745782-7    |
|                     | OBSOLETE  | FEMALE SCREWLOCKS | GROUNDING STRAPS           | 6              | 745782-6    |
| SUPSD BY 745782-6   |           | FEMALE SCREWLOCKS | GROUNDING STRAPS           | 5              | 745782-5    |
|                     |           | THREADED INSERTS  | GROUNDING STRAPS           | 6              | 745782-4    |
| SUPSD BY 745782-4   |           | THREADED INSERTS  | GROUNDING STRAPS           | 5              | 745782-3    |
|                     | OBSOLETE  | NONE              | GROUNDING STRAPS           | 6              | 745782-2    |
| SUPSD BY 745782-2   | TRAYS     | NONE              | GROUNDING STRAPS           | 5              | 745782-1    |
|                     | PACKAGING | MOUNTING HARDWARE | SHELL VERSION              | CONTACT FINISH | PART NUMBER |

THIS DRAWING IS A CONTROLLED DOCUMENT.

|                    |  |           |           |           |              |           |            |        |
|--------------------|--|-----------|-----------|-----------|--------------|-----------|------------|--------|
| DIMENSIONS: INCHES | TOLERANCES UNLESS OTHERWISE SPECIFIED: | 0 PLC ± - | 1 PLC ± - | 2 PLC ± - | 3 PLC ± .005 | 4 PLC ± - | ANGLES ± - | FINISH |
|                    |  |           |           |           |              |           |            | 3      |

APVD: J. GALLUCCI 1-23-91, R. STONE 4-26-91

tyco Electronics Tyco Electronics Corporation Harrisburg, PA 17105-3608

NAME: RCPT ASSY, SIZE 2, 15 POSN, RTANG, AMPLIMITE HD-20, WITH METAL SHELL, WITH OR WITHOUT SCREWLOCKS OR INSERTS

PRODUCT SPEC: 108-40025

APPLICATION SPEC: 114-40010

SIZE: A1

CAGE CODE: 00779

DRAWING NO: 745782

RESTRICTED TO: -

CUSTOMER DRAWING

SCALE: 4:1 SHEET: 1 OF 1 REV: AB