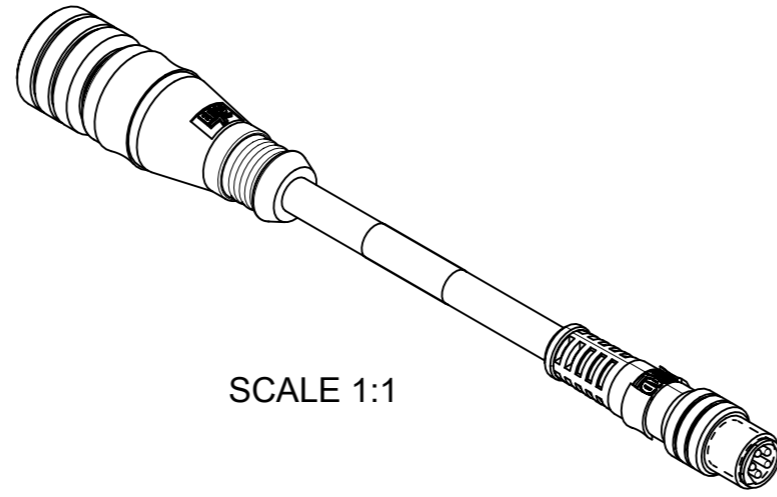


CONNECTOR SPECIFICATION :

Temperature Range	-25°C /+80°C
Contact Current Rating	3A
Voltage Rating	3 Poles 60V
	4 & 5 Poles 30V
Protection class	IP 67

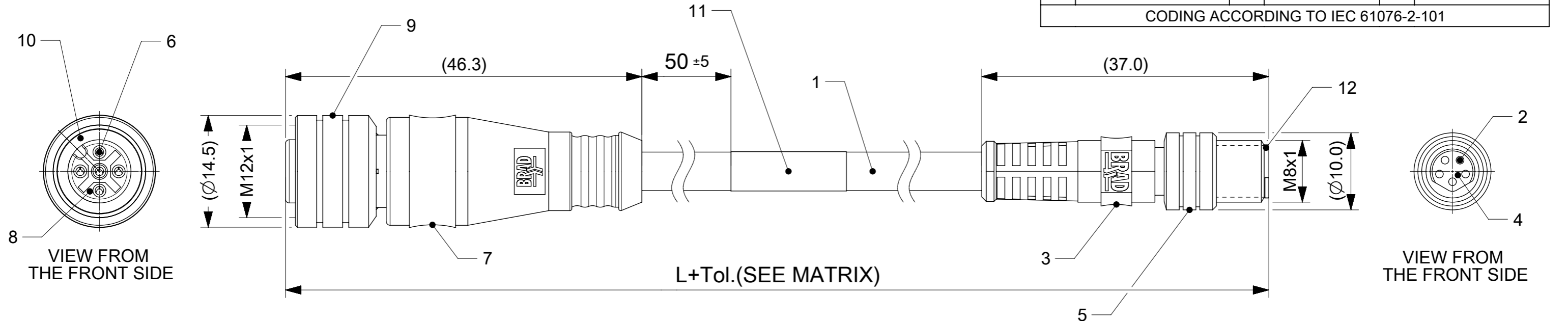


SCALE 1:1

CONTACTS POSITION FRONT VIEW:

	3 CONTACTS	4 CONTACTS	5 CONTACTS
FEMALE			
MALE			
PIN	WIRE	PIN	WIRE
1	BROWN	1	BROWN
2	---	2	WHITE
3	BLUE	3	BLUE
4	BLACK	4	BLACK
5	---	5	GREY

CODING ACCORDING TO IEC 61076-2-101



BOM

ITEM	QTY.	DESCRIPTION	MATERIAL	FINISH/COLOR
1	-	CABLE	SEE MATRIX	
2	3/4/5	CONTACT MALE M8	BRASS	GOLD OVER NICKEL
3	1	OVERMOULD M8 WITH BRAD LOGO	SEE MATRIX	
4	1	INSERT M8 MALE	PUR	BLACK
5	1	M8 MALE COUPLING NUT	SEE MATRIX	
6	3/4/5	CONTACT FEMALE M12	BRASS	GOLD OVER NICKEL
7	1	OVERMOULD M12 WITH BRAD LOGO	SEE MATRIX	
8	1	INSERT M12 FEMALE	TPU	BLACK
9	1	M12 FEMALE COUPLING NUT	SEE MATRIX	
10	1	GASKET	FPM	RED
11	1	LABEL	VINYL	YELLOW
12	1	M8 SHIELD SLEEVE	BRASS	Ni-PLATED
13	2	I/D CARRIER	SEE MATRIX	

FUNCTIONAL SYMBOLS	THIS DRAWING CONTAINS INFORMATION THAT IS PROPRIETARY TO MOLEX ELECTRONIC TECHNOLOGIES, LLC AND SHOULD NOT BE USED WITHOUT WRITTEN PERMISSION		CURRENT REV DESC:	
$\nabla_A = 0$ $\nabla_E = 0$ $\nabla_V = 0$	DIMENSION UNITS	SCALE	 CSE M12 M8 XP AC FE STR MA STR XM	
	mm	2:1	EC NO: 655756 DRWN: MKOWALCZYK01 2021/02/16 CHK'D: ASZELAG 2021/02/16 APPR: DSTACHOWIAK 2021/02/16	
DIVISIONAL SYMBOLS	GENERAL TOLERANCES (UNLESS SPECIFIED)		PRODUCT CUSTOMER DRAWING	
	ANGULAR TOL ± 1.0°		DOCUMENT NUMBER	
	4 PLACES ±		1200668041	
	3 PLACES ±		DOC TYPE	DOC PART
	2 PLACES ± 0.05		PSD	000
	1 PLACE ± 0.3		REVISION	
	0 PLACES ± 0.5		A3	
	DRAFT WHERE APPLICABLE MUST REMAIN WITHIN DIMENSIONS		SHEET NUMBER	
	THIRD ANGLE PROJECTION		1 OF 2	
	DRAWING	SERIES	MATERIAL NUMBER	CUSTOMER
	A3-SIZE	120066	SEE SHEET 2	GENERAL MARKET

DOCUMENT STATUS	P1	RELEASE DATE	2021/02/16	14:32:47
-----------------	----	--------------	------------	----------

PART No MATRIX

8 4 * 0 3 0 * * * M * * * * *

OPTIONS

Poles:
3 = 3 poles
4 = 4 poles
5 = 5 poles

Cable Type

Unit:
M = Meter

H = 2 I/D Carrier Molding:
Blank = Black
A = Grey
G = Black
Y = Yellow

Coupling Nut:
Blank = KNU
7 = Teflon
1 = Stainless steel
9 = KNU/HEX

84 - Double Ended
M12-M8

Header 030:
/M12 Female straight
-M8 Male straight

Length-Example:
010 = 1 m
050 = 5 m
100 = 10 m

CABLE INFORMATION (for more information see Cable Data Sheet).

CABLE TYPE	NO. OF WIRES	CROSS SECTION	CABLE JACKET	UL	CSA	STATIC: TEMP. / BENDING RADIUS	DYNAMIC: TEMP. / BENDING RADIUS	DRAG CHAIN	SHIELD
P02	3 / 4 / 5	0.25mm ²	PUR/PVC BLACK	-	-	-30°C to +80°C 7xO.D.	-5°C to +80°C 15xO.D.	-	-
E02	3 / 4 / 5	0.25mm ²	PVC BLACK	UL 2464/1729	C22.2 I/II A/B 80°C/300V	-30°C to +80°C 10xO.D.	-10°C to +80°C 15xO.D.	-	-
H08	3 / 4 / 5	0.25mm ²	PUR BLACK	UL 10493/21198	C22.2 I/II A/B 80°C/300V	-40°C to +80°C 5xO.D.	-25°C to +80°C 10xO.D.	+5°C to +60°C 2Mio cycles	-

PART LIST

No	MOLEX P/N	Engineering No	Cable Length [m]	No	MOLEX P/N	Engineering No	Cable Length [m]
1	1200071587	845030P02M030	3	1	1200668412	843030E02M003	0.3
2	1200072287	845030P02M050	5	2	1200668413	843030E02M006	0.6
3	1200668041	845030P02M060	6	3	1200668414	843030E02M010	1
4	1200668199	843030P02M003	0.3	4	1200668415	843030E02M020	2
5	1200668202	845030P02M110	11	5	1200668416	843030E02M030	3
6	1200668292	844030P02M010	1	6	1200668417	843030E02M040	4
7	1200668425	843030P02M002	0.2	7	1200668418	843030E02M050	5
8	1200668426	843030P02M005	0.5	8	1200668419	843030E02M060	6
9	1200668427	843030P02M006	0.6	9	1200668420	843030E02M130	13
10	1200668428	843030P02M010	1	10	1200668700	843030E02M003H	0.3
11	1200668429	843030P02M020	2	11	1200668709	843030E02M010H	1
12	1200668430	843030P02M025	2.5	12	1200668901	843030E02M025	2,5
13	1200668431	843030P02M030	3	13	1200668984	843030E02M025H	2,5
14	1200668432	843030P02M050	5	14	1200669105	843030E02M0109H	1
15	1200668433	843030P02M100	10	15	1200669179	843030E02M0509H	5
16	1200668472	844030P02M006	0.6	16	1200669180	843030E02M1009H	10
17	1200668473	844030P02M050	5	17	1200669519	843030E02M015	1.5
				18	1200669749	843030H08M045H	4.5
				19	1200669750	843030H08M075H	7.5

Over	Up to and including	Tolerance
0	305	+19
305	915	+45
915	1830	+56
1830	3660	+89
3660	7320	+165
7320	14640	+317
14640	30500	+610
30500	>	+2% of length

FUNCTIONAL SYMBOLS	THIS DRAWING CONTAINS INFORMATION THAT IS PROPRIETARY TO MOLEX ELECTRONIC TECHNOLOGIES, LLC AND SHOULD NOT BE USED WITHOUT WRITTEN PERMISSION		CURRENT REV DESC:		molex
	mm	SCALE 1:1	EC NO: 655756		
DIVISIONAL SYMBOLS	GENERAL TOLERANCES (UNLESS SPECIFIED)		DRWN: MKOWALCZYK01 2021/02/16		CSE M12 M8 XP AC FE STR MA STR XM
	ANGULAR TOL ± 1.0°		CHK'D: ASZELAG 2021/02/16		
4 PLACES ±		APPR: DSTACHOWIAK 2021/02/16		PRODUCT CUSTOMER DRAWING	
3 PLACES ±		INITIAL REVISION:		DOCUMENT NUMBER	
2 PLACES ± 0.05		DRWN: SSM 2018/07/10		1200668041	
1 PLACE ± 0.3		APPR: RSILLER 2018/07/12		DOC TYPE DOC PART REVISION	
0 PLACES ± 0.5		MATERIAL NUMBER		PSD 000 A3	
DRAFT WHERE APPLICABLE MUST REMAIN WITHIN DIMENSIONS		THIRD ANGLE PROJECTION	DRAWING	SERIES	CUSTOMER
			A3-SIZE	120066	GENERAL MARKET
				SEE PART LIST	SHEET NUMBER
					2 OF 2