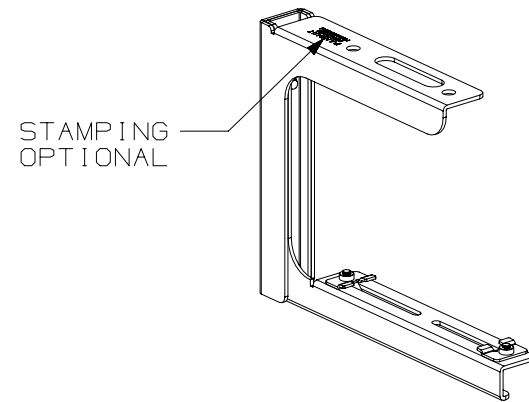
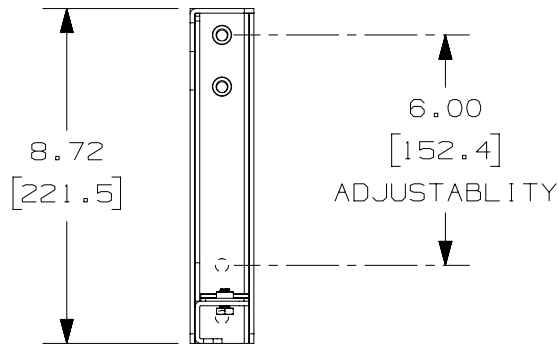
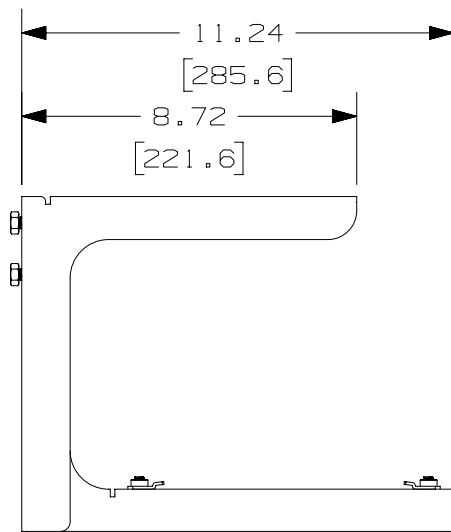
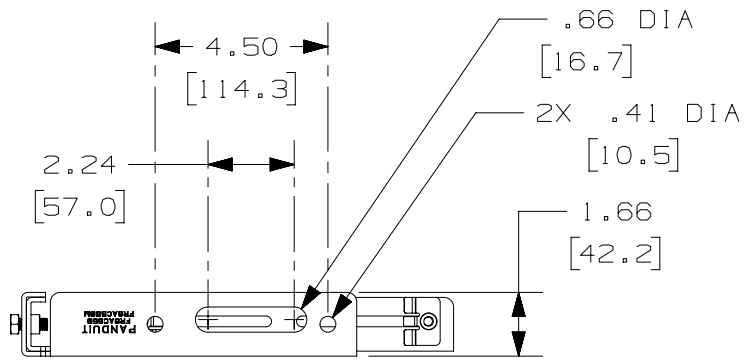


THIS COPY IS PROVIDED ON A RESTRICTED BASIS AND IS NOT TO BE USED IN ANY WAY DETRIMENTAL TO THE INTERESTS OF PANDUIT CORP.



PANDUIT PART NUMBER	WEIGHT
FR6ACB58 FR6ACB58M	3.54 LB/EACH (1606g/EACH)

NOTES:

- SEE CURRENT CATALOG FOR ADDITIONAL PART SUFFIXES TO INDICATE PACKAGE QUANTITY.
- THE FIBERRUNNER 4x4 AND 6x4 QUIKLOCK ADJUSTABLE "C" BRACKET IS USED TO SUPPORT THE FIBERRUNNER 4x4 AND 6x4 CABLE ROUTING SYSTEMS FROM A SECTION OF NEW 5/8" (M16) THREADED ROD (NOT INCLUDED) OR CAN BE DIRECTLY MOUNTED TO THE CEILING.
- THE FIBERRUNNER 4x4 AND 6x4 QUIKLOCK ADJUSTABLE "C" BRACKET INCLUDES:
ONE (1) BRACKET ASSEMBLY,
TWO (2) 5/8-11 HEAVY HEX NUTS (FR6ACB58 ONLY),
TWO (2) M16x2 HEX NUTS (FR6ACB58M ONLY),
TWO (2) 5/8 HELICAL SPRING LOCKWASHERS
- FINISH COLOR: BLACK (EXCEPT HARDWARE)
- DIMENSIONS IN PARENTHESES ARE IN METRIC.

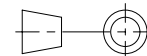
TITLE
FIBERRUNNER 4x4 AND 6x4 QUIKLOCK ADJUSTABLE
"C" BRACKET - 5/8" (M16) THREADED ROD
CUSTOMER DRAWING

ITEM REVISION NAME
D38022BY/01
DATASET FILE NAME
D38022BY_DC/01B

PANDUIT

MATERIAL:
N/A

DRAWING NUMBER:
38022-30



THIRD ANGLE
PROJECTION

REV	DATE	BY	CHK	APR	DESCRIPTION	ECN
01B	9/12/19	MEX-JAGC	FWI	FWI	F. "STAMPING OPTIONAL" LABEL ADDED SEE PREVIOUS REVISION FOR HISTORY	V09002CN/00

DRAWN BY	DATE	CHK	SCALE	SHT 1 OF 1	SIZE
JHNU	10/02/01	RPA	NONE	SHT 1 OF 1	A

D10100DA/20