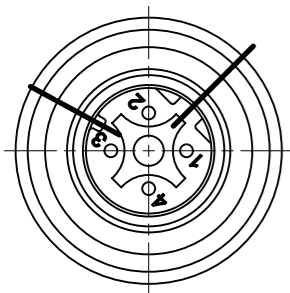


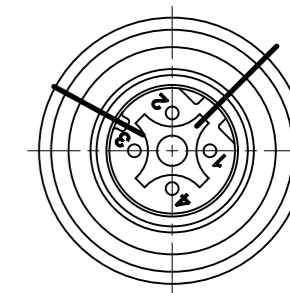
M12 4 POLE MALE



VIEW FROM THE FRONT SIDE

Pin	Wire color
1	OG
2	BU
3	OG/WH
4	BU/WH

M12 4 POLE MALE



VIEW FROM THE FRONT SIDE

Pin	Wire color
1	OG
2	BU
3	OG/WH
4	BU/WH

PART No. MATRIX

E W W A 0 6 0 0 3 M X X X

E=ETHERNET

HEADS:
W=M12 4-Pole Ultra Lock
D-Coding
W=M12 4-Pole Ultra Lock
D-Coding

HEADS STYLE:
060=MALE STR / MALE STR

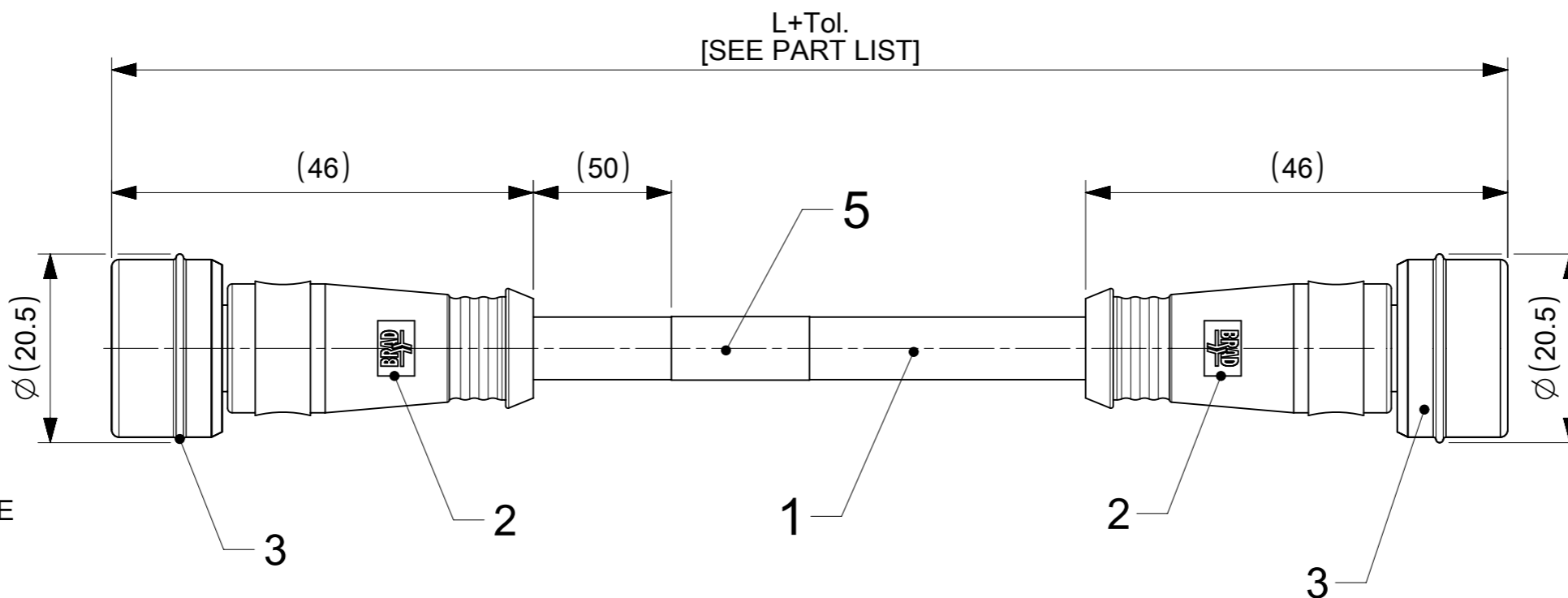
CABLE TYPE

UNITS:
M=METER
T=10x METER

LENGTH EXAMPLES:
005=0.5m
010=1m
150=15m

WIRING TYPE:
A=4 Pole (STRAIGHT WIRED)

L+Tol.
[SEE PART LIST]



VIEW FROM THE FRONT SIDE

VIEW FROM THE FRONT SIDE

BOM

ITEM	QTY.	DESCRIPTION	MATERIAL	FINISH / COLOR
5	1	WRAP LABEL	VINYL	WHITE
4	8	CONTACT MALE	BRASS	GOLD OVER Ni-PLATED
3	2	ULTRALOCK MALE ASSEMBLY	-	-
2	-	MOULDING MATERIAL	TPU	BLACK
1	-	ETHERNET CABLE-CAT5E	PVC	TEAL

PART LIST

MOLEX PN	ENGINEERING No	L+Tol. [mm]
1201080065	EWWA06003M006	600 +45
1201080066	EWWA06003M010	1000+56
1201080067	EWWA06003M100	10000+317
1201080068	EWWA06003M020	2000 +89
1201080069	EWWA06003M050	5000+165

NOTES :

ACC. TO CAT5e ETHERNET STD.
MAX. VOLTAGE : 30V
MAX. CURRENT : 1.5A
IP RATING : IP67
TEMPERATURE RANGE : -20°C TO +75°C

FUNCTIONAL SYMBOLS	THIS DRAWING CONTAINS INFORMATION THAT IS PROPRIETARY TO MOLEX ELECTRONIC TECHNOLOGIES, LLC AND SHOULD NOT BE USED WITHOUT WRITTEN PERMISSION	CURRENT REV DESC:		
	DIMENSION UNITS: mm SCALE: 3:2 GENERAL TOLERANCES (UNLESS SPECIFIED): ANGULAR TOL ± 1.0° 4 PLACES ± 3 PLACES ± 2 PLACES ± 0.05 1 PLACE ± 0.3 0 PLACES ± 0.5	EC NO: 703538 DRWN: SSM CHK'D: RSILLER APPR: RSILLER INITIAL REVISION: DRWN: SSM APPR: RSILLER		
DIVISIONAL SYMBOLS		DRWN: SSM APPR: RSILLER	2022/03/28 2022/04/22 2022/04/22	DOCUMENT NUMBER: 1201080065 DOC TYPE: PSD DOC PART: 000 REVISION: A
	DRAFT WHERE APPLICABLE MUST REMAIN WITHIN DIMENSIONS THIRD ANGLE PROJECTION	DRAWING: A3-SIZE SERIES: 120108	MATERIAL NUMBER: SEE PART LIST CUSTOMER: GENERAL MARKET	SHEET NUMBER: 1 OF 1