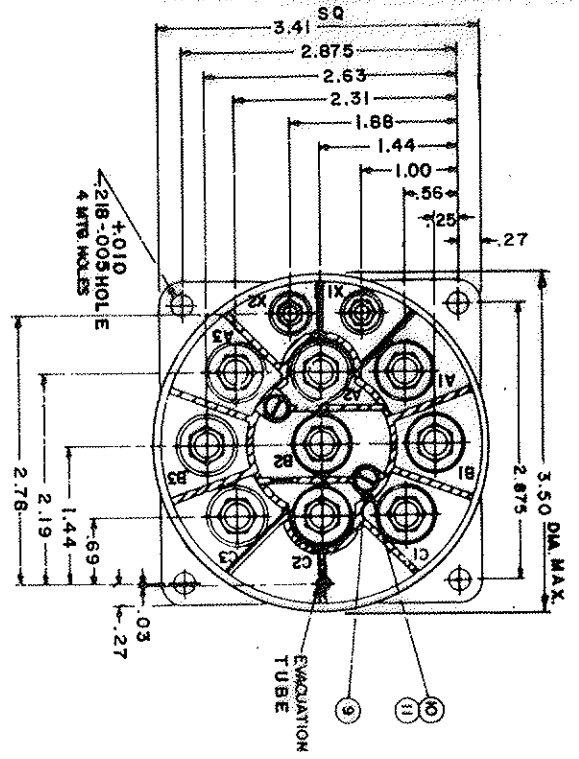


REV.	DESCRIPTION	DATE
A	17723 ITEM 3 WAS 17539-001	11-12-83
B	18488 ITEM 3 WAS 17539-006	2-21-87



CONSTRUCTION
MAIN CONTACTS
CONFIGURATION
VOLTAGE (NOMINAL)
CURRENT RES.
IND.

HERMETICALLY SEALED

3 PDT
115/200 VAC 400 HZ
100 AMP
100 AMP

COIL DATA
DUTY CYCLE
OPERATING VOLTAGE
PICKUP

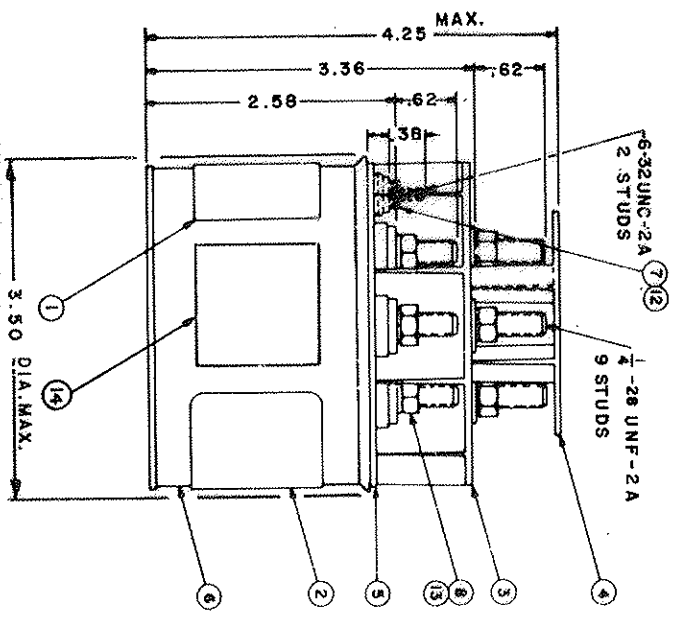
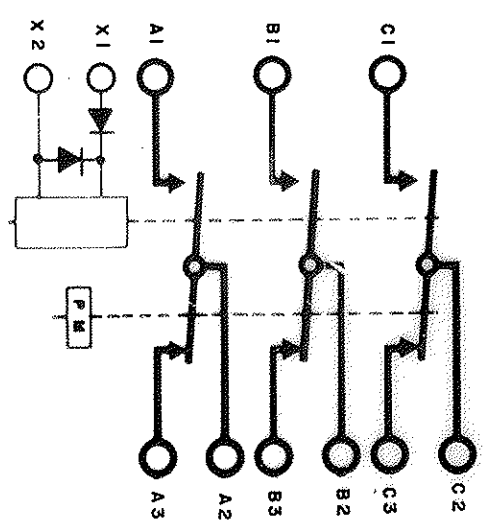
CONTINUOUS
115 VAC 400 HZ
103.5 V. MAX AT 71°C
25 ± 20 V

DROPOUT
25 ± 20 V

ENVIRONMENTAL DATA
OPERATING TEMP
VIBRATION

ALTIMITUDE
LIFE ELECTRICAL
WEIGHT MAX.
MAX. INTER.

-55°C TO +71°C
.08 DA 5-12 HZ
.06 DA 12-40 HZ
10 G 40-1000 HZ
50,000 FT. MAX.
50,000 CYCLES MIN.
2.2 LBS.
600 AMPS



NOTES:
1. REMOVE PAINT BOTH SIDES OF EITHER SET OF MTR. HOLES.

QTY	PART NAME	NOMENCLATURE OR DESCRIPTION	PART OR IDENTIFYING NO	ITERMS NO
1	PLATE WARNING		17959-001	14
9	WASHER-LOCK - 1/4 SPLIT BRONZE		51807-014 (MWS88A) 13	13
2	WASHER-LOCK - #6 SPLIT BRONZE		51808-014 (MWS28A) 12	12
2	WASHER-LOCK - #5 SPLIT BRONZE		51805-011 (MWS28A) 11	11
2	WASHER - .015 X 1/8 X 3/16 NICKEL		51791-000	10
2	SCREW - 5-40 X 1 3/8 RD. HD. STEEL		51205-411	9
2	WUT - 1/4-28 X 3/8 X 3/16 HEX BRASS		50407-074	8
2	WUT - 6-32 X 1/4 X 5/16 HEX BRASS		50404-034	7
1	CONTACTOR ASSEMBLY - PRIMARY		20074-080	6
1	PLATE - BASE COVER		17542-005	5
1	SHIELD - TERMINAL, TOP		17540-001	4
1	SHIELD - TERMINAL, BOTTOM		17539-001	3
1	PLATE - WIRING DIAGRAM		17884-001	2
1	PLATE - NAME		16045-001	1

DESIGNED FOR
DATE 5-9-83 DR BY H.A.S.
TOLERANCES
UNLESS OTHERWISE SPECIFIED
DIMENSIONS .0001 O.D.
REF.
DOUGLAS LONG BEACH

PARTS LIST
MILITARY ELECTRICAL EQUIPMENT
CONTACTOR-3PDT SIDE STABLE
100A, 400 HZ, 115VAC COIL

APPROVED
75
APPROVED
BL
CHECK SHEET NO
74969
SCALE
WEIGHT
DHR-258G