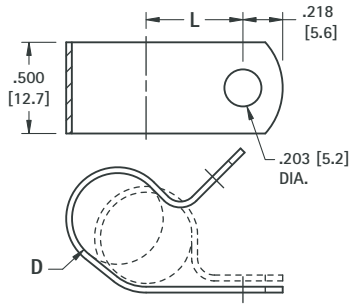


STEEL CABLE CLAMPS

Ideal for securing, grounding and routing cable, wiring, piping, tubing, components and fibre optics.

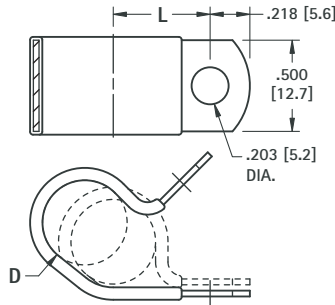


MATERIAL: .032 (.81) Steel, Zinc Plate

| CAT. NO. | D FOR DIA. | L CTR TO CTR |
|----------|-------------|--------------|
| 8100 | .187 (4.7) | .375 (9.5) |
| 8101 | .250 (6.4) | .406 (10.3) |
| 8102 | .312 (7.9) | .437 (11.1) |
| 8103 | .375 (9.5) | .468 (11.9) |
| 8104 | .437 (11.1) | .500 (12.7) |
| 8105 | .500 (12.7) | .531 (13.5) |
| 8106 | .562 (14.4) | .562 (14.3) |
| 8107 | .625 (15.9) | .594 (15.1) |
| 8108 | .687 (17.4) | .625 (15.9) |
| 8109 | .750 (19.0) | .656 (16.7) |
| 8110 | .812 (20.6) | .687 (17.4) |
| 8111 | .875 (22.2) | .718 (18.2) |
| 8112 | .937 (23.8) | .750 (19.1) |
| 8113 | 1.00 (25.4) | .781 (19.8) |

INSULATED STEEL CABLE CLAMPS

Ideal for securing, insulating and routing cable, wiring, piping, tubing, components and fibre optics.

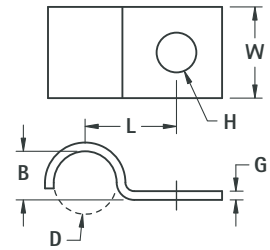
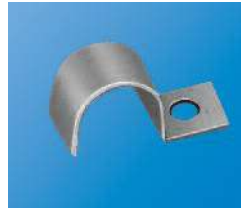


MATERIAL: .032 (.81) Steel, Zinc Plate
Cushion: Black Vinyl

| CAT. NO. | D FOR DIA. | L CTR TO CTR |
|----------|-------------|--------------|
| 8121 | .187 (4.7) | .406 (10.3) |
| 8122 | .250 (6.4) | .437 (11.1) |
| 8123 | .312 (7.9) | .468 (11.9) |
| 8124 | .375 (9.5) | .500 (12.7) |
| 8125 | .437 (11.1) | .531 (13.5) |
| 8126 | .500 (12.7) | .562 (14.3) |
| 8127 | .562 (14.3) | .594 (15.1) |
| 8128 | .625 (15.9) | .625 (15.9) |
| 8129 | .687 (17.4) | .656 (16.7) |
| 8130 | .750 (19.1) | .687 (17.4) |
| 8131 | .812 (20.6) | .718 (18.2) |
| 8132 | .875 (22.2) | .750 (19.1) |
| 8133 | .937 (23.8) | .781 (19.8) |
| 8134 | 1.00 (25.4) | .812 (20.6) |

STEEL HALF CLAMPS

Ideal for securing, grounding and routing cable, wiring, piping, tubing, components and fibre optics.

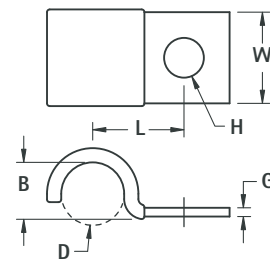


MATERIAL: Steel, Zinc Plate

| CAT. NO. | D FOR DIA. | H HOLE DIA. | L CTR TO CTR | B | G THICK | W WIDTH |
|----------|-------------|-------------|--------------|-------------|-------------|-------------|
| 8140 | .125 (3.2) | .218 (5.5) | .437 (11.1) | .125 (3.2) | .032 (.81) | .500 (12.7) |
| 8141 | .187 (4.7) | .218 (5.5) | .437 (11.1) | .156 (4.0) | | |
| 8142 | .250 (6.4) | .218 (5.5) | .437 (11.1) | .187 (4.7) | | |
| 8143 | .312 (7.9) | .218 (5.5) | .500 (12.7) | .250 (6.4) | .048 (1.22) | .500 (12.7) |
| 8144 | .375 (9.5) | .218 (5.5) | .531 (13.5) | .312 (7.9) | | |
| 8145 | .437 (11.1) | .218 (5.5) | .562 (14.3) | .375 (9.5) | .060 (1.52) | .625 (15.9) |
| 8146 | .500 (12.7) | .218 (5.5) | .625 (15.9) | .437 (11.1) | | |
| 8147 | .562 (14.3) | .218 (5.5) | .687 (17.4) | .500 (12.7) | | |
| 8148 | .625 (15.9) | .218 (5.5) | .750 (19.1) | .562 (14.3) | .060 (1.52) | .625 (15.9) |
| 8149 | .687 (17.4) | .218 (5.5) | .812 (20.6) | .625 (15.9) | | |
| 8150 | .750 (19.1) | .218 (5.5) | .812 (20.6) | .687 (17.4) | .060 (1.52) | .625 (15.9) |
| 8151 | .812 (20.6) | .218 (5.5) | .875 (22.2) | .750 (19.1) | | |
| 8152 | .875 (22.2) | .281 (7.1) | .937 (23.8) | .812 (20.6) | | |
| 8153 | .937 (23.8) | .281 (7.1) | .968 (24.6) | .812 (20.6) | .060 (1.52) | .750 (19.1) |
| 8154 | 1.00 (25.4) | .281 (7.1) | 1.000 (25.4) | .937 (23.8) | | |

INSULATED STEEL HALF CLAMPS

Ideal for securing, insulating and routing cable, wiring, piping, tubing, components and fibre optics.



MATERIAL: Steel, Zinc Plate
Cushion: Black Vinyl

| CAT. NO. | D FOR DIA. | H HOLE DIA. | L CTR TO CTR | B | G THICK | W WIDTH |
|----------|-------------|-------------|--------------|--------------|-------------|-------------|
| 8160 | .187 (4.7) | .218 (5.5) | .437 (11.1) | .187 (4.7) | .032 (.81) | .500 (12.7) |
| 8161 | .250 (6.4) | .218 (5.5) | .500 (12.7) | .250 (6.4) | | |
| 8162 | .312 (7.9) | .218 (5.5) | .531 (13.5) | .312 (7.9) | | |
| 8163 | .375 (9.5) | .218 (5.5) | .562 (14.3) | .375 (9.5) | .048 (1.22) | .625 (15.9) |
| 8164 | .437 (11.1) | .218 (5.5) | .625 (15.9) | .437 (11.1) | | |
| 8165 | .500 (12.7) | .218 (5.5) | .687 (17.4) | .500 (12.7) | .060 (1.52) | .625 (15.9) |
| 8166 | .562 (14.3) | .218 (5.5) | .750 (19.1) | .562 (14.3) | | |
| 8167 | .625 (15.9) | .218 (5.5) | .812 (20.6) | .625 (15.9) | | |
| 8168 | .687 (17.4) | .218 (5.5) | .812 (20.6) | .687 (17.4) | .060 (1.52) | .625 (15.9) |
| 8169 | .750 (19.1) | .218 (5.5) | .875 (22.2) | .750 (19.1) | | |
| 8170 | .812 (20.6) | .281 (7.1) | .937 (23.8) | .812 (20.6) | | |
| 8171 | .875 (22.2) | .281 (7.1) | .968 (24.6) | .812 (20.6) | .060 (1.52) | .750 (19.1) |
| 8172 | .937 (23.8) | .281 (7.1) | 1.000 (25.4) | .937 (23.8) | | |
| 8173 | 1.00 (25.4) | .281 (7.1) | 1.062 (27.0) | 1.000 (25.4) | | |